



US00D391238S

United States Patent [19] Sakata

[11] Patent Number: **Des. 391,238**

[45] Date of Patent: ****Feb. 24, 1998**

[54] IMAGE READER

[75] Inventor: **Osamu Sakata**, Tokyo, Japan

[73] Assignee: **Canon Kabushiki Kaisha**, Tokyo, Japan

[**] Term: **14 Years**

[21] Appl. No.: **67,601**

[22] Filed: **Mar. 31, 1997**

[30] Foreign Application Priority Data

Sep. 13, 1996 [JP] Japan 8-27487

[51] LOC (6) Cl. **14-02**

[52] U.S. Cl. **D14/107**

[58] Field of Search D14/100, 107,
D14/108, 109; D18/36, 37, 39; D16/208,
214, 223, 232, 202; 250/556; 235/454,
462, 470

[56] References Cited

U.S. PATENT DOCUMENTS

D. 322,600 12/1991 Ito et al. D14/108
D. 352,702 11/1994 Austin D14/108

OTHER PUBLICATIONS

Leaflet by Minolta for "QuickScan 35" undated.

Primary Examiner—Freda Nunn
Attorney, Agent, or Firm—Fitzpatrick, Cella, Harper & Scinto

[57] CLAIM

The ornamental design for an image reader, as shown and described.

DESCRIPTION

FIG. 1 is a front view of an image reader showing my new design;

FIG. 2 is a rear view thereof;

FIG. 3 is a top plan view thereof;

FIG. 4 is a bottom plan view thereof;

FIG. 5 is a left side view thereof;

FIG. 6 is a right side view thereof; and,

FIG. 7 is a perspective view thereof.

1 Claim, 5 Drawing Sheets

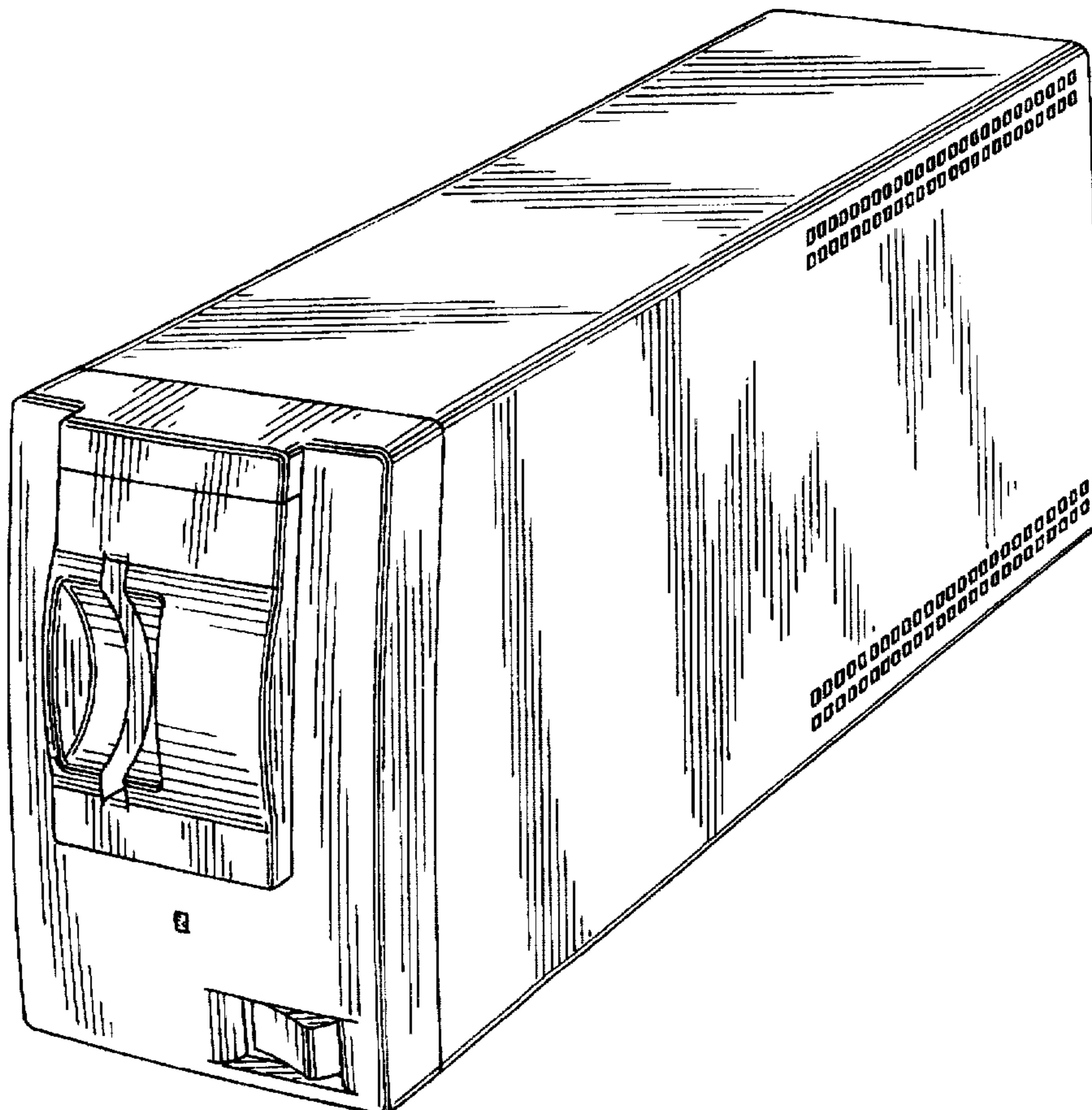


FIG. 1

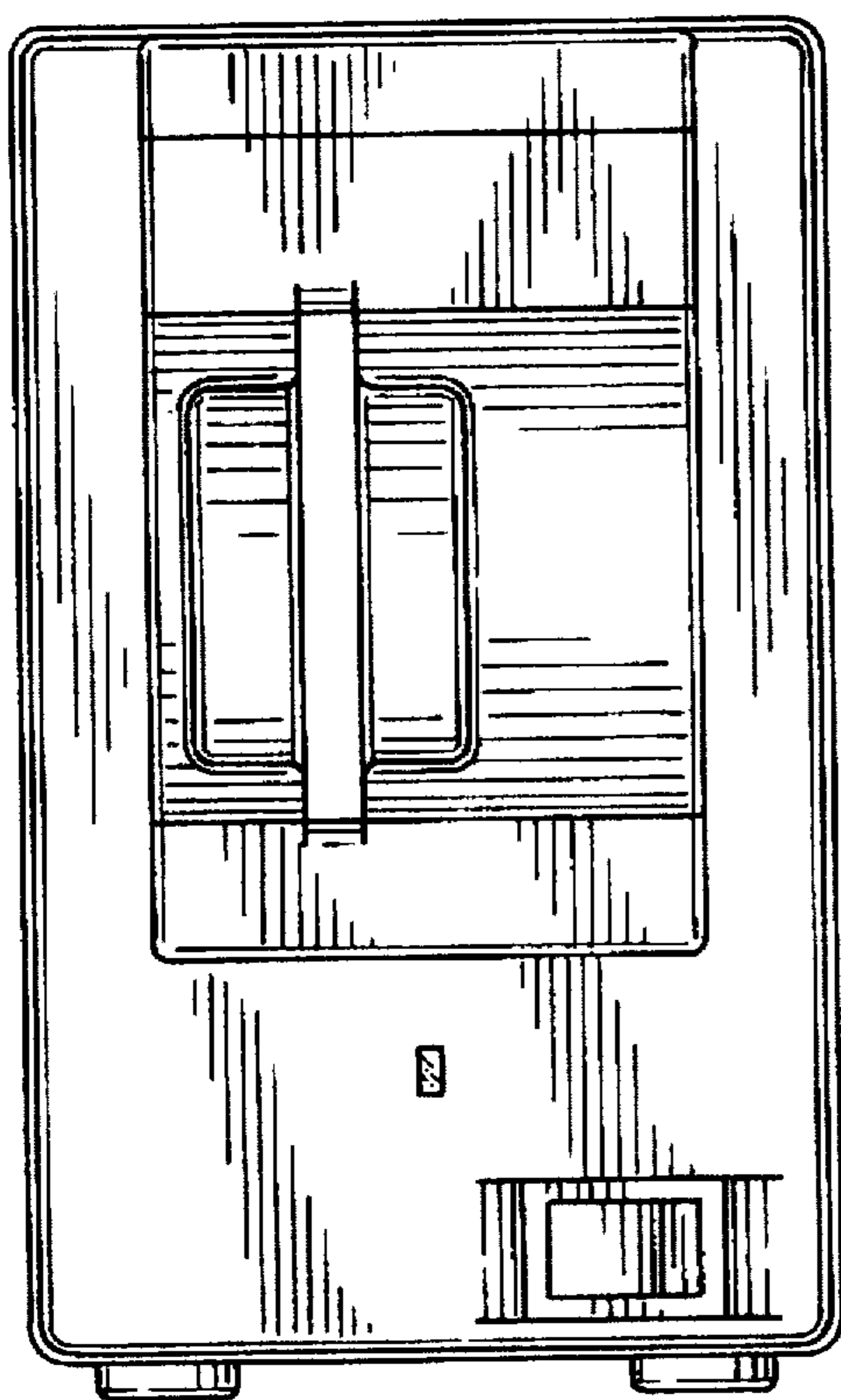


FIG. 2

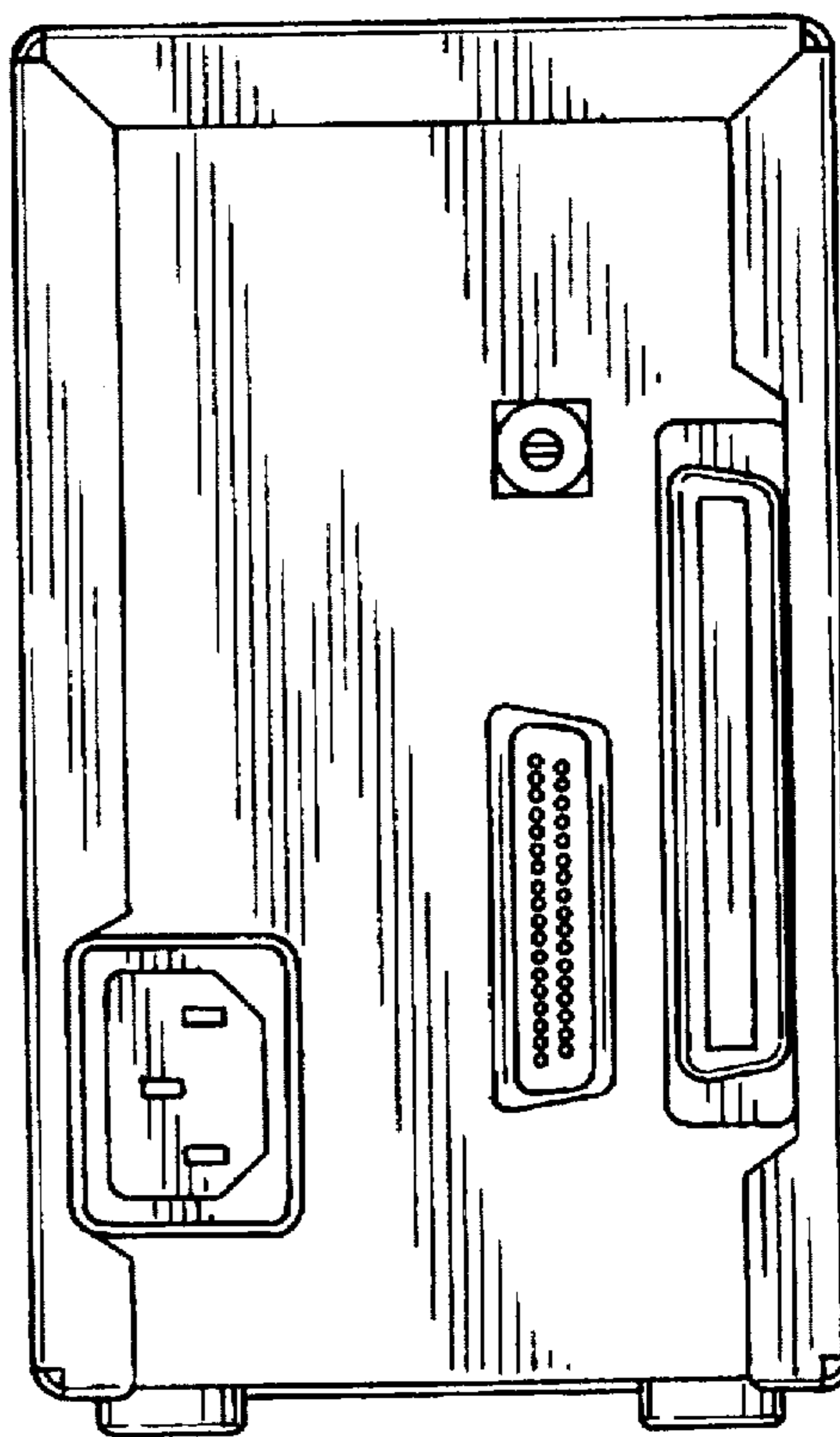


FIG. 3

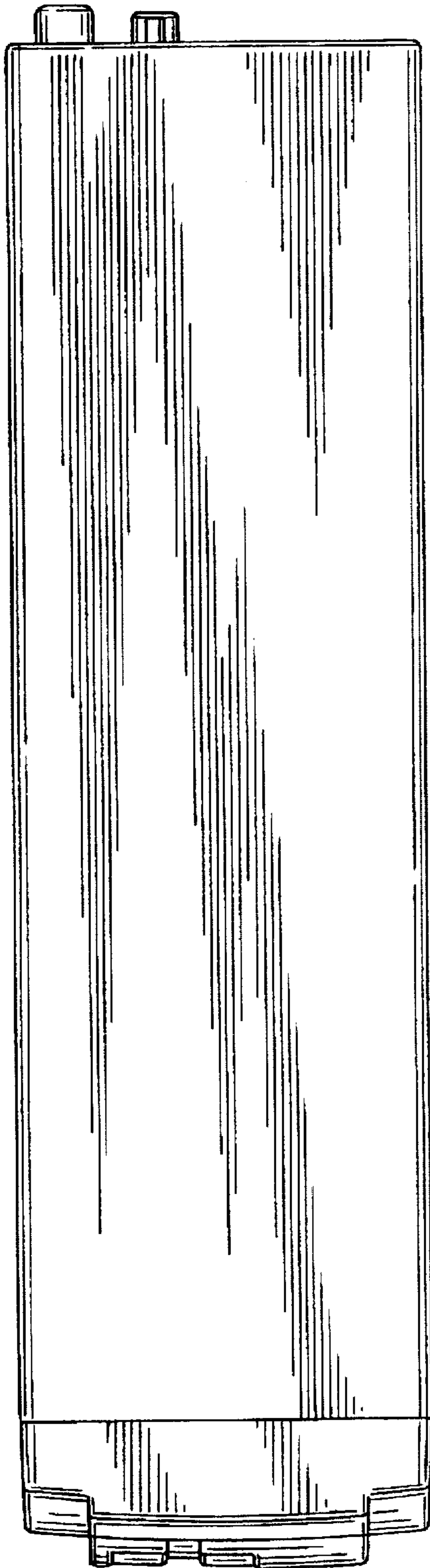


FIG. 4

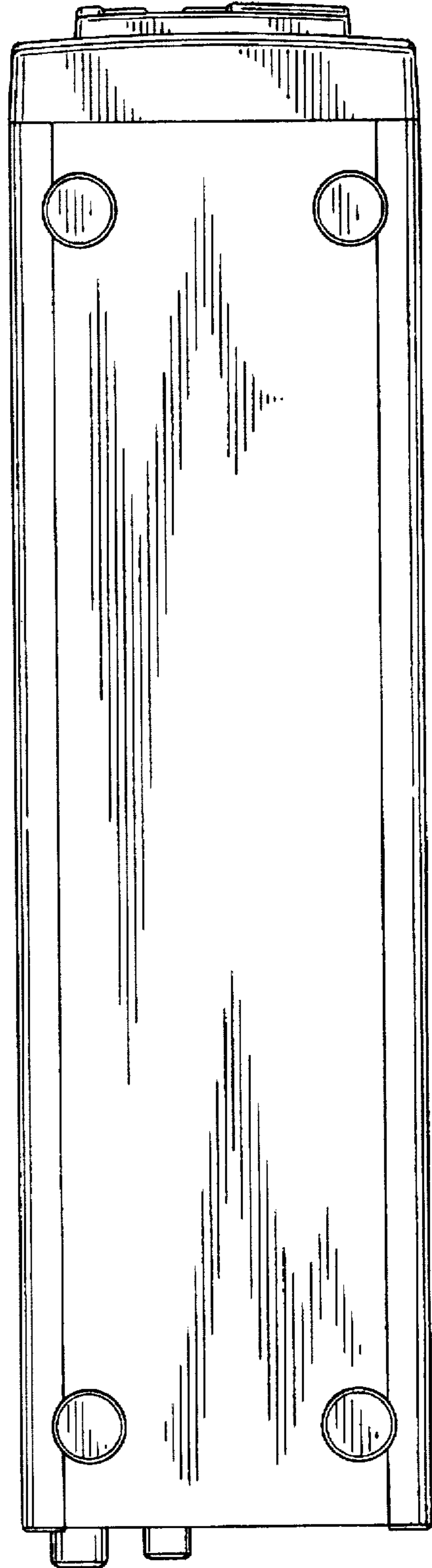


FIG. 5

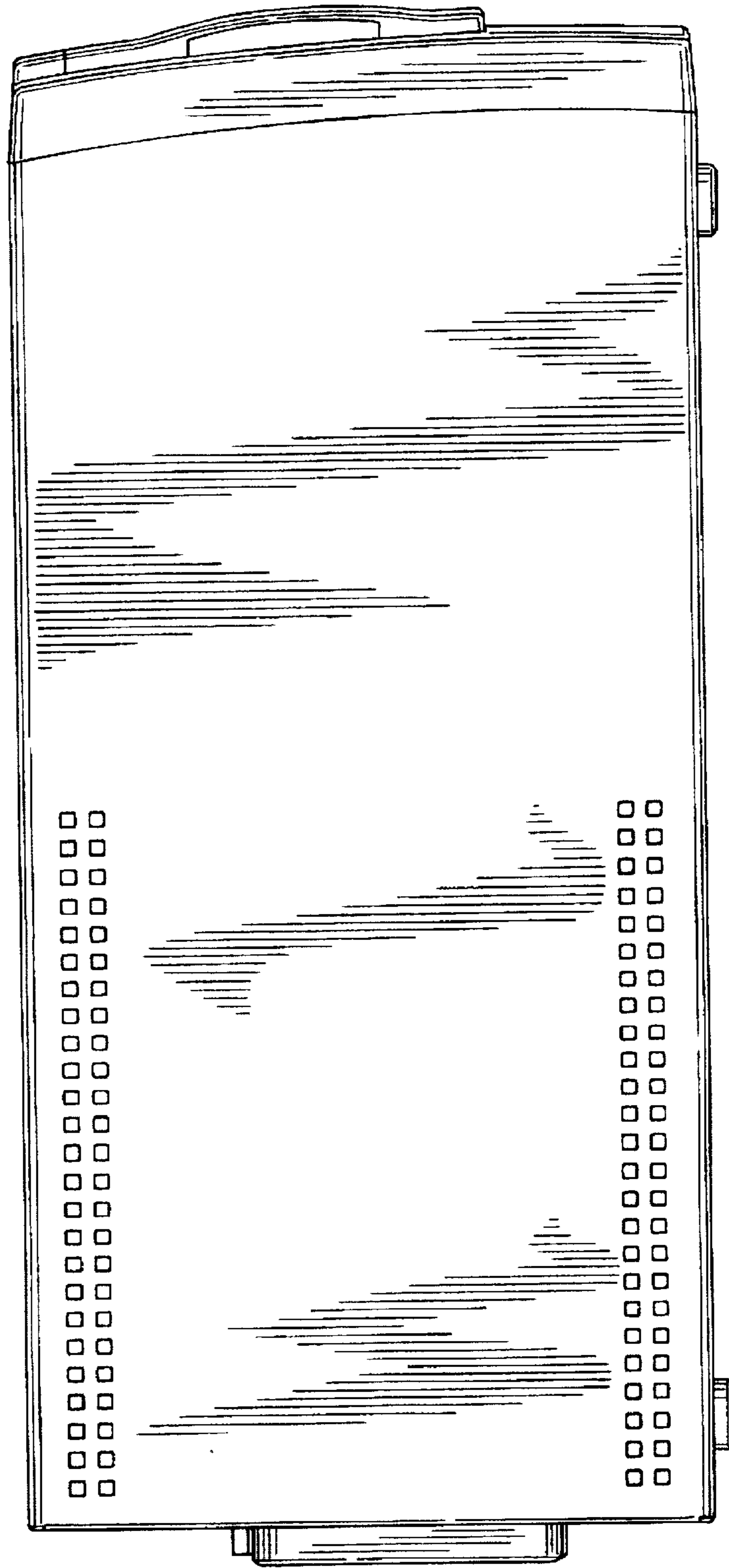


FIG. 6

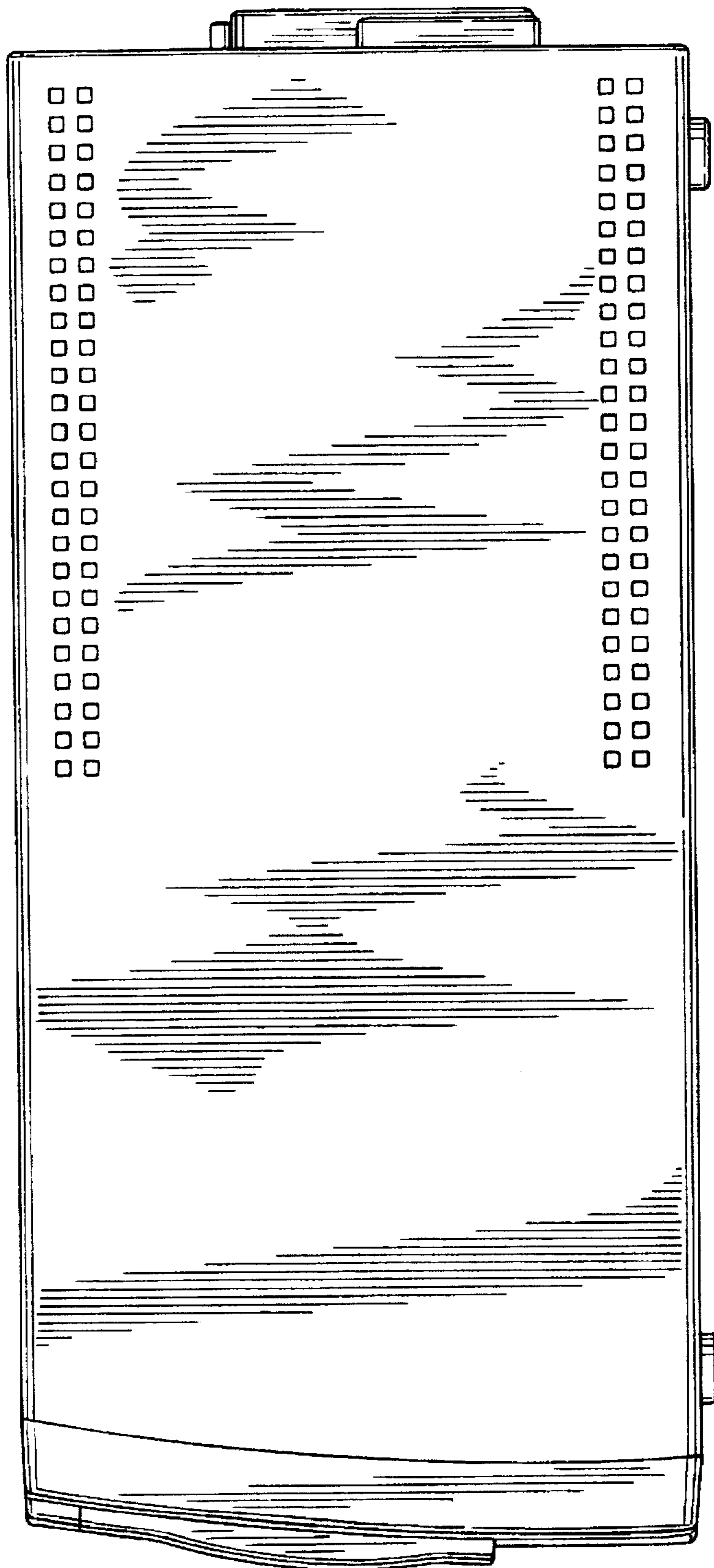
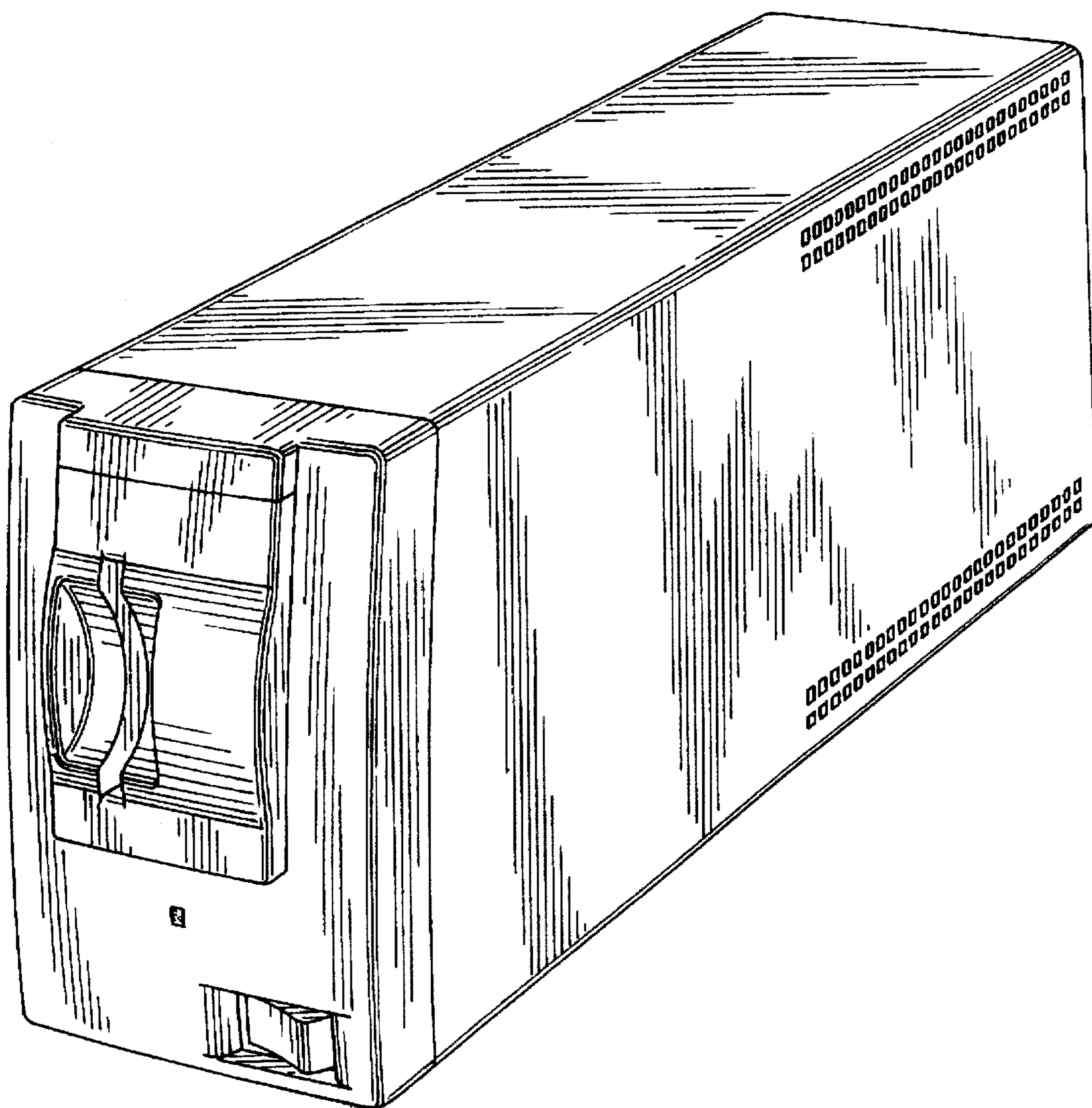


FIG. 7



UNITED STATES PATENT AND TRADEMARK OFFICE
CERTIFICATE OF CORRECTION

PATENT NO. : Des. 391,238
DATED : February 24, 1998
INVENTOR(S) : Osamu Sakata

It is certified that error appears in the above-identified patent and that said Letters Patent is hereby corrected as shown below:

Title page, item

[22] FILED

"March 31, 1997" should read --March 11, 1997--.

Signed and Sealed this
Thirtieth Day of June, 1998

Attest:



BRUCE LEHMAN

Attesting Officer

Commissioner of Patents and Trademarks