



US00D391234S

United States Patent [19]
Chacon et al.

[11] **Patent Number: Des. 391,234**
[45] **Date of Patent: **Feb. 24, 1998**

[54] **HOUSING PORTION FOR A HAND HELD COMPUTER**

[75] **Inventors: Debbie Chacon, Seattle; Dan Blase, Everett; James R. Stewart, Woodinville, all of Wash.**

[73] **Assignee: Intermec Corporation, Everett, Wash.**

[**] **Term: 14 Years**

[21] **Appl. No.: 61,404**

[22] **Filed: Oct. 23, 1996**

[51] **LOC (6) Cl. 14-02**

[52] **U.S. Cl. D14/100**

[58] **Field of Search D14/100, 106, D14/115; D18/1, 2, 7; 178/18, 19; 235/145 A, 145 R; 341/22, 23; 345/156, 168, 169, 172, 87, 173; 364/708.1**

[56] **References Cited**

PUBLICATIONS

- 9445 Bar Code Trakker Scanner, Product Brochure, Intermec Corporation, Sep., 1993.
- Janus 2010 Hand-Held Data Collection Computer, Product Brochure, Intermec Corporation, Jun., 1993.
- 9430 Bar Code Portable Transaction Manager, Product Brochure, Intermec Corporation, Feb., 1992.
- 9189 Radio Frequency Gateway, Product Brochure, Intermec Corporation, Jan., 1992.
- 9560 Bar Code Transaction Manager, Product Brochure, Intermec Corporation, Oct. 1991.
- 9465 Radio Frequency Transaction Manager, Product Brochure, Intermec Corporation, Jul., 1991.

- 9191 1700 Satellite Wand Station & Keyboard, Product Brochure, Intermec Corporation, May 1991.
- 9460 9462 Environmentally Sealed/Intrinsically Safe Trakkers, Product Brochure, Intermec Corporation, Apr., 1991.
- 1461 Charge-Coupled Device Scanner, Product Brochure, Intermec Corporation, Apr., 1991.
- 9550 Bar Code Transaction Manager, Product Brochure, Intermec Corporation, Mar., 1991.
- 9440 Bar Code Portable Transaction Manager, Product Brochure, Intermec Corporation, Jan., 1991.
- 9156 Bar Code Radio Frequency Gateway, Product Brochure, Intermec Corporation, Sep., 1990.

Primary Examiner—Freda Nunn
Attorney, Agent, or Firm—Seed and Berry LLP

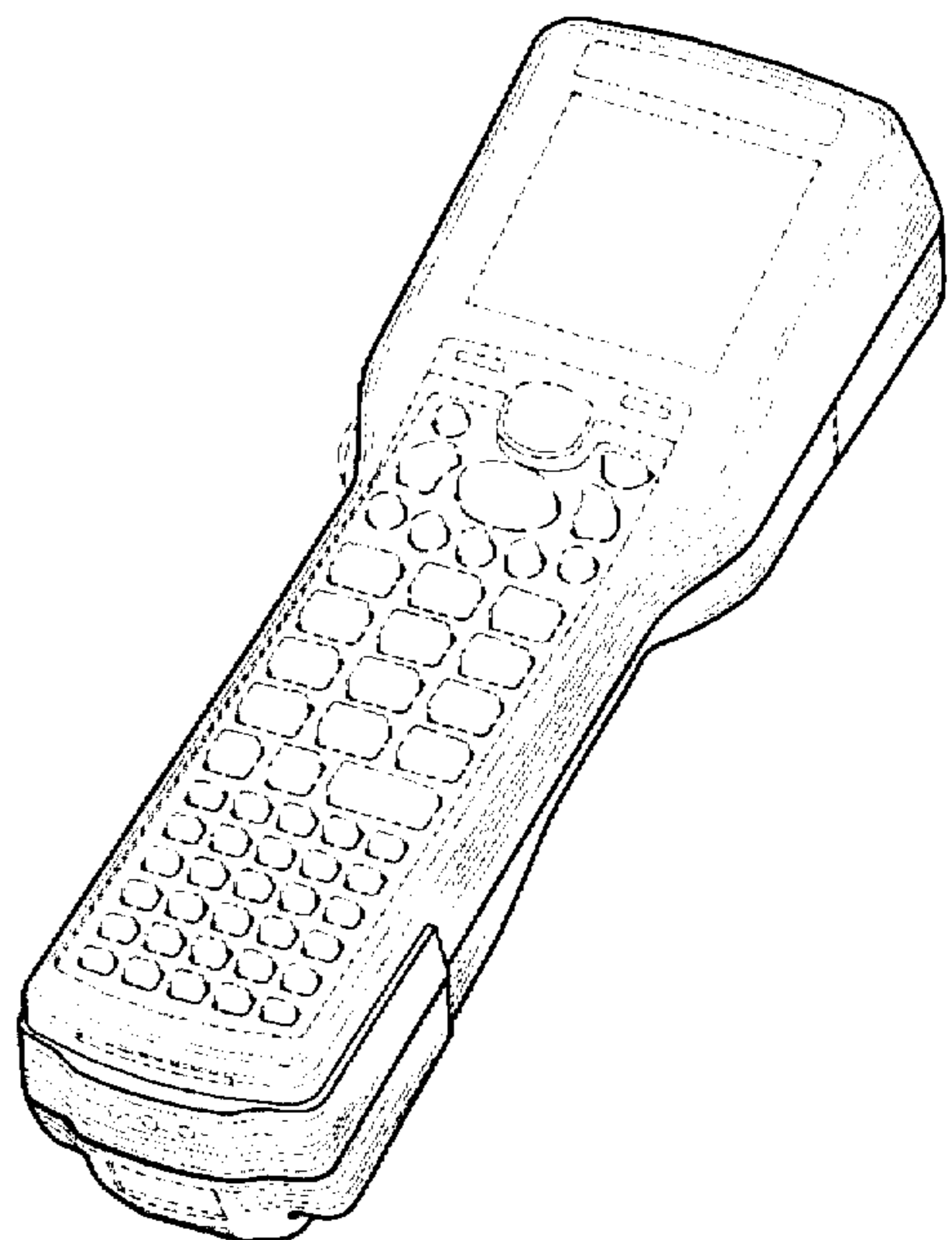
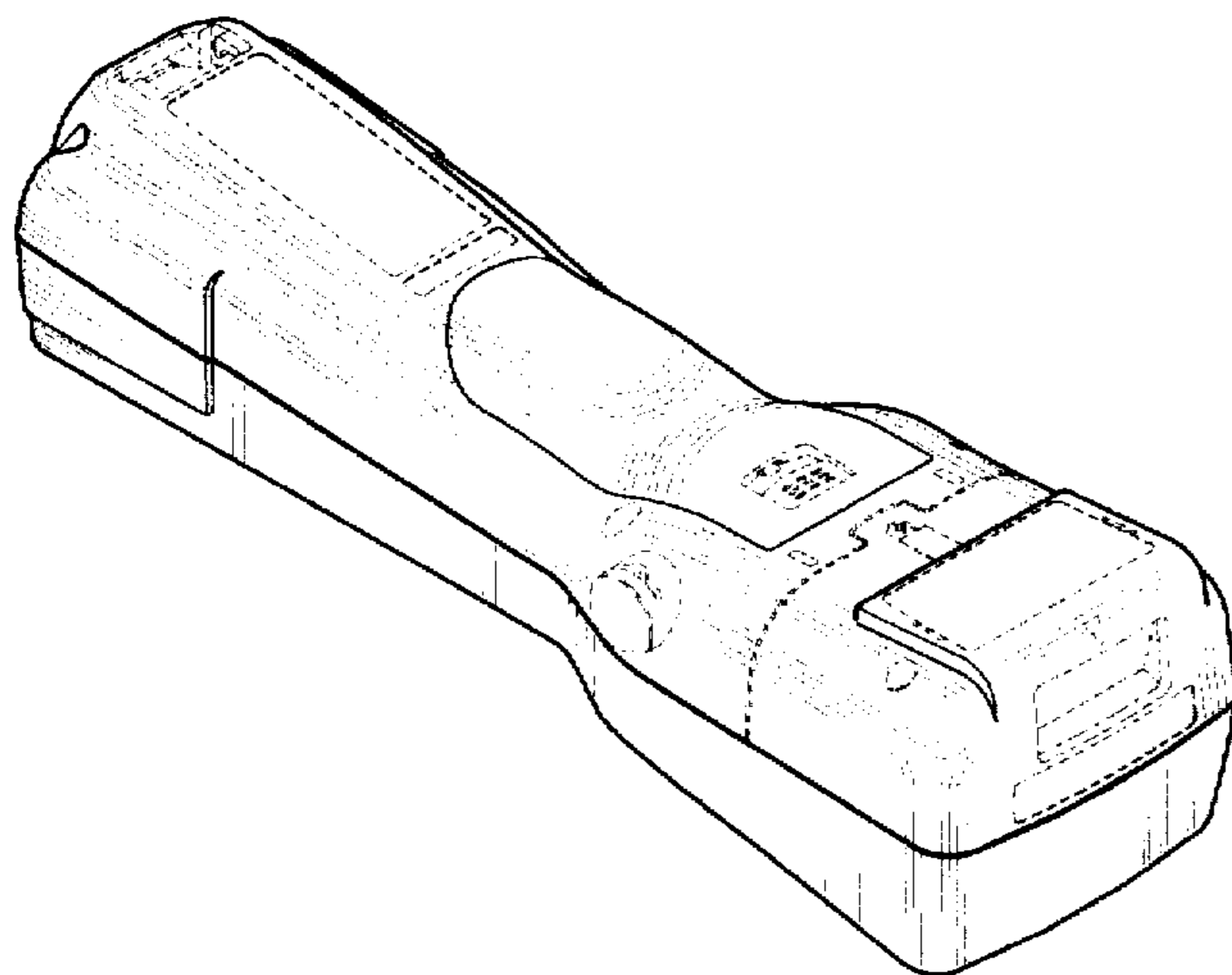
[57] **CLAIM**

The ornamental design for a housing portion for a hand-held computer, as shown and described.

DESCRIPTION

FIG. 1 is a bottom front isometric view of a housing portion for a hand-held computer showing our new design;
 FIG. 2 is a top rear isometric view thereof;
 FIG. 3 is a rear elevational view thereof;
 FIG. 4 is a front elevational view thereof;
 FIG. 5 is a right side elevational view thereof;
 FIG. 6 is a left side elevational view thereof;
 FIG. 7 is a top plan view thereof;
 FIG. 8 is a bottom plan view thereof; and,
 FIG. 9 is a bottom plan view thereof, with a portion of the broken line drawings removed.
 The broken lines in the FIGS. are for illustrative purposes only and form no part of the claimed design.

1 Claim, 5 Drawing Sheets



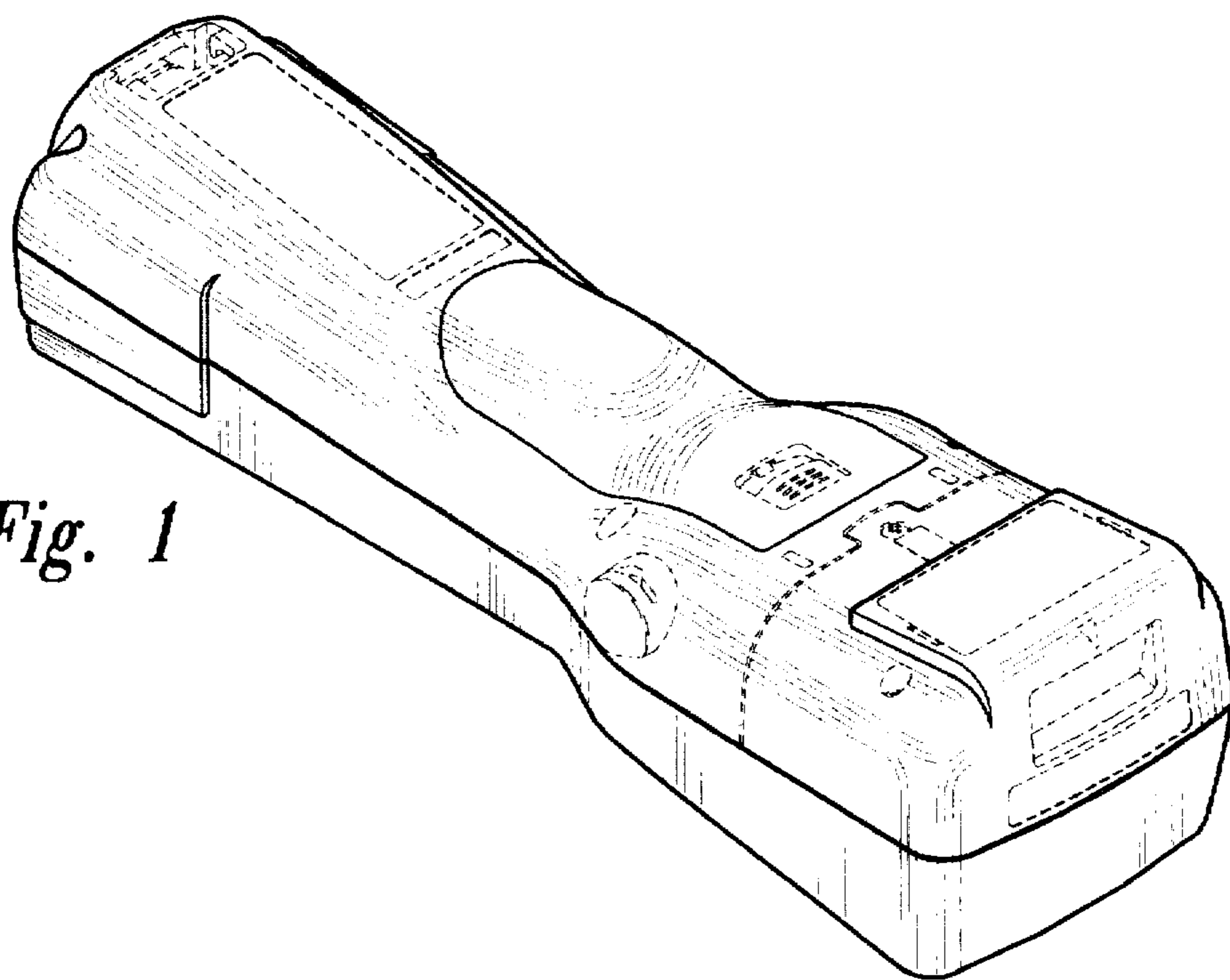


Fig. 1

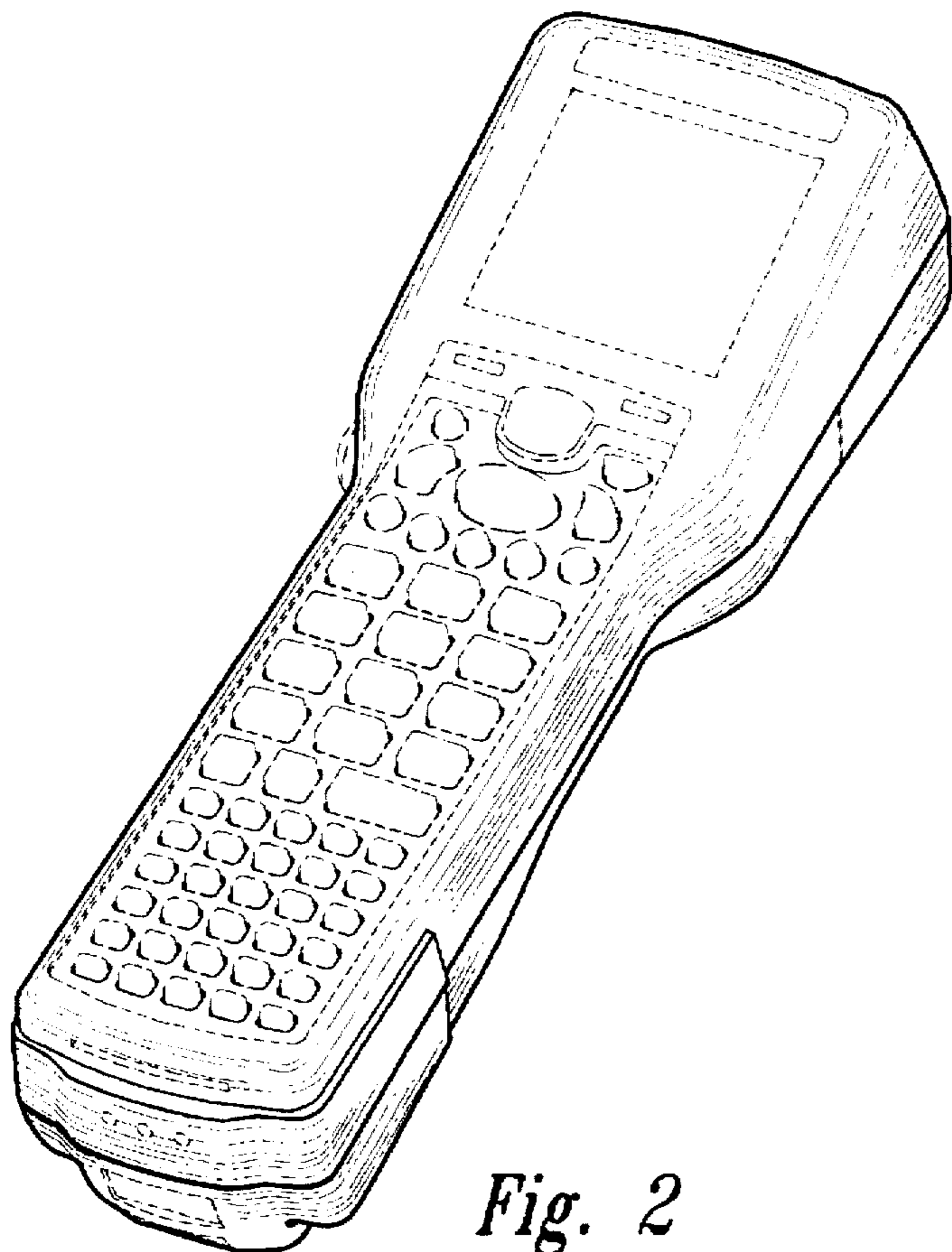


Fig. 2

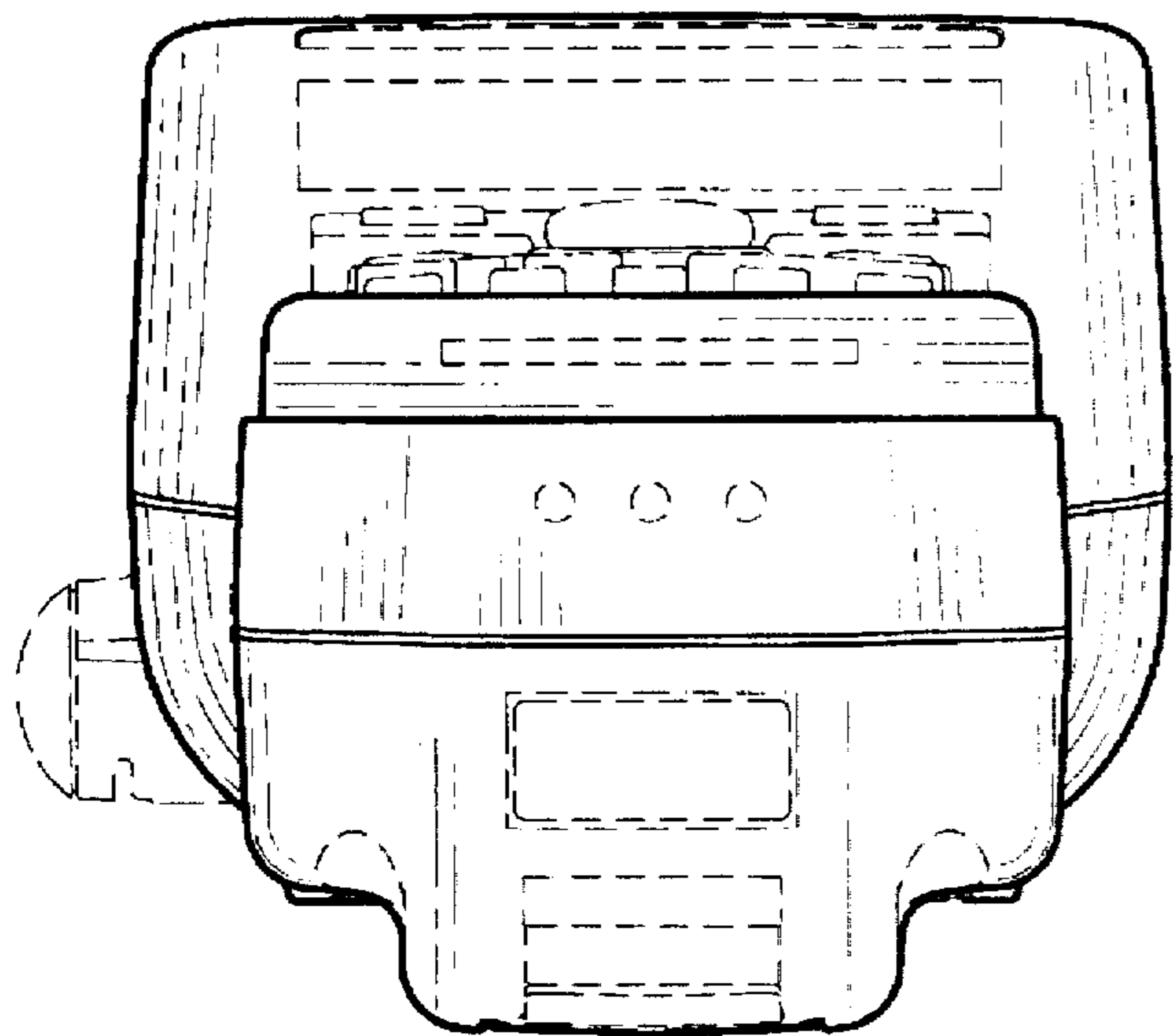


Fig. 3

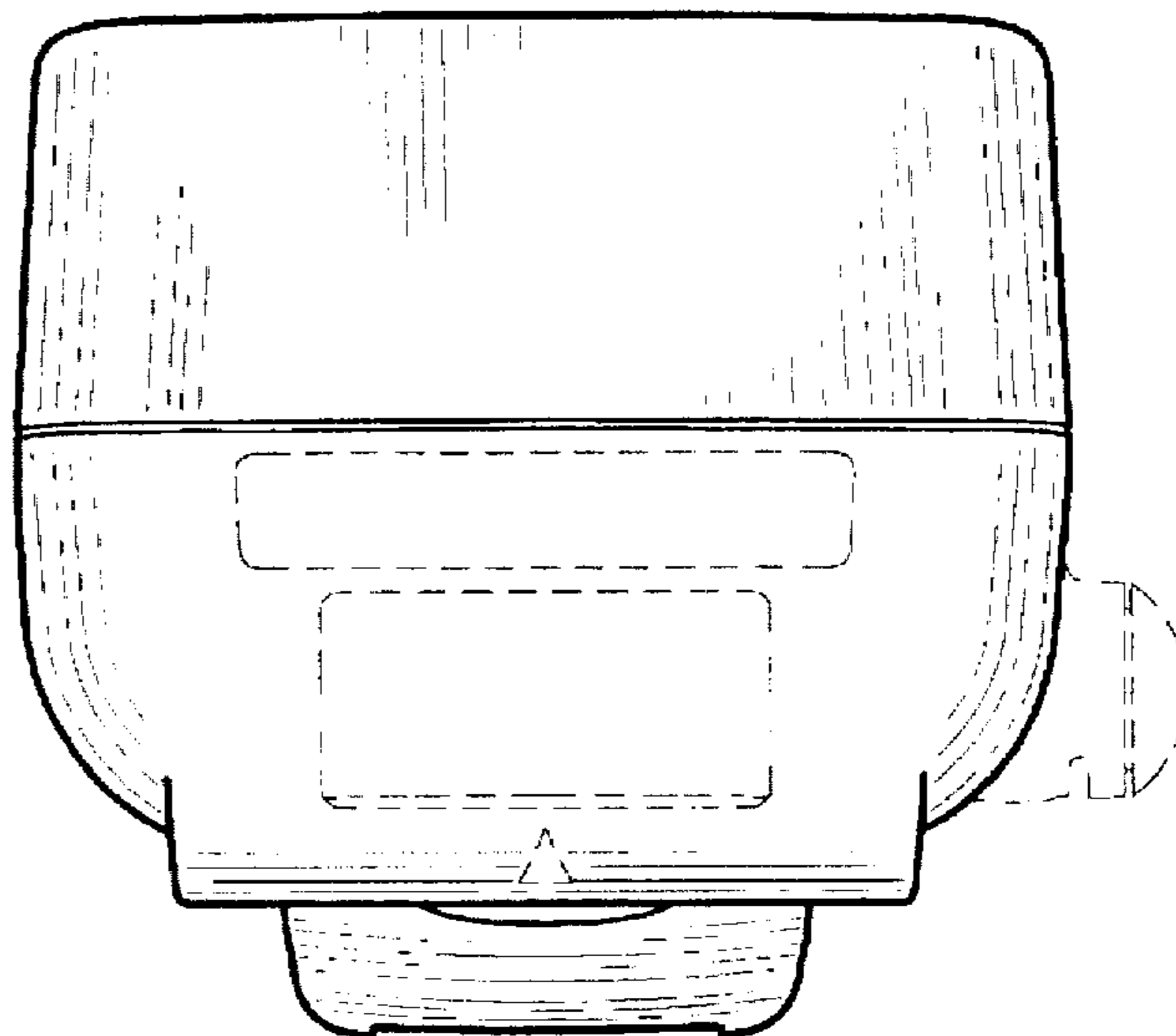


Fig. 4

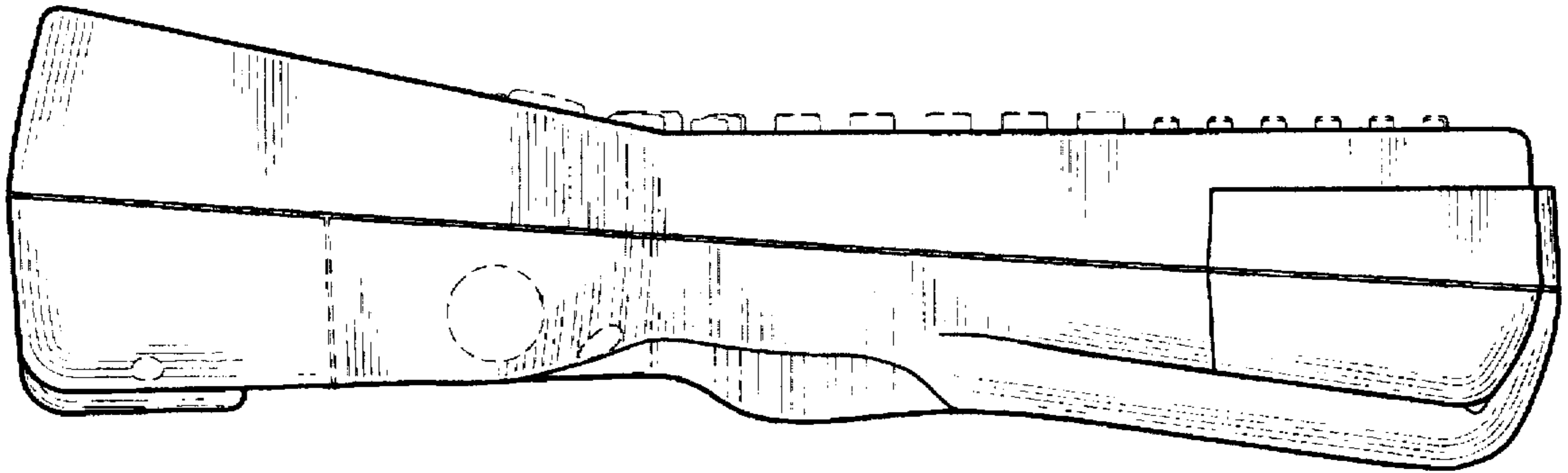


Fig. 5

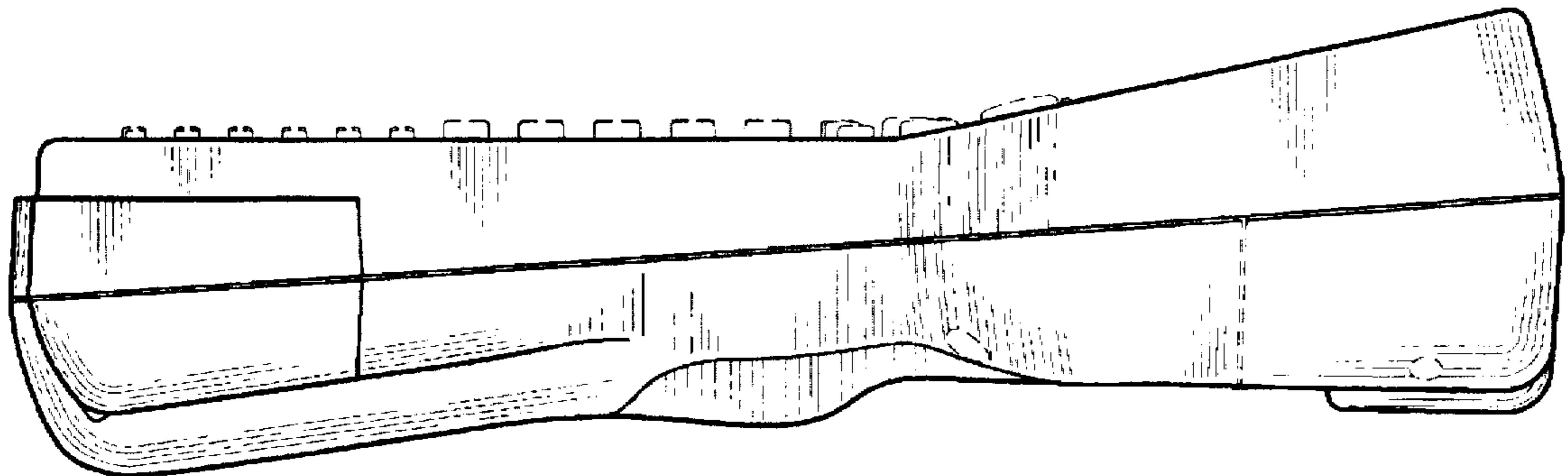


Fig. 6

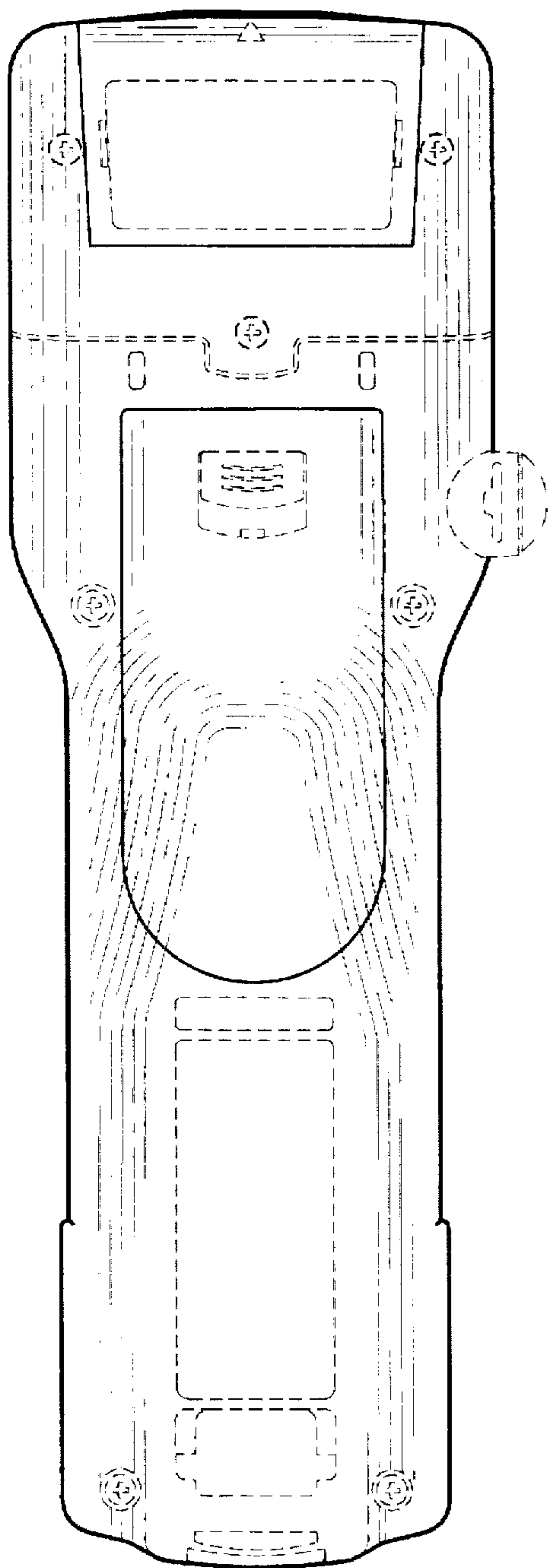


Fig. 8

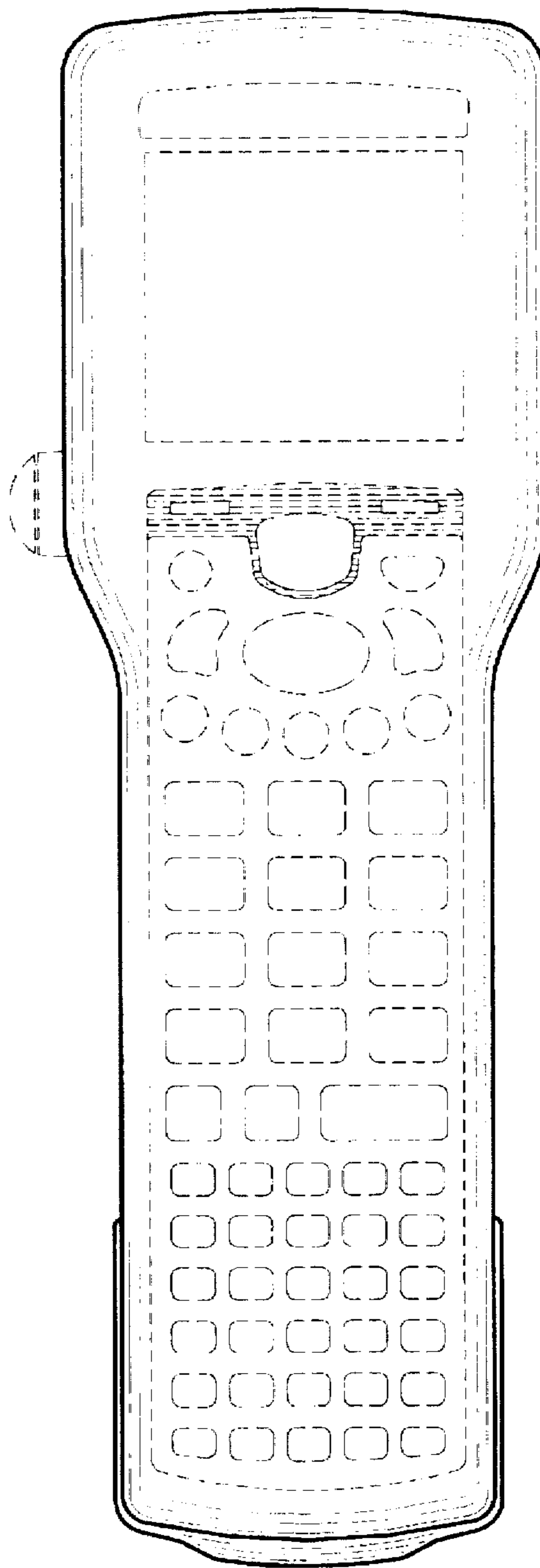


Fig. 7

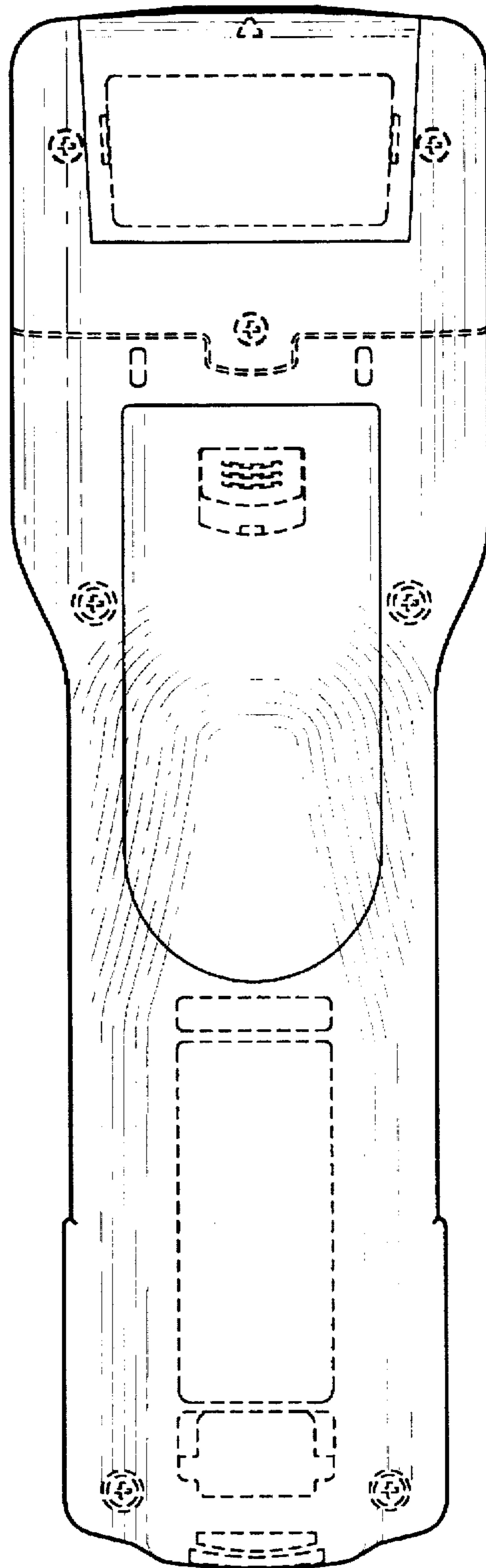


Fig. 9