



US00D391228S

United States Patent [19]

Biller et al.

[11] **Patent Number: Des. 391,228**

[45] **Date of Patent: **Feb. 24, 1998**

[54] **ELECTRICAL CURRENT LIMITER FOR POWER SYSTEMS**

[75] Inventors: **Bruce A. Biller**, Chicago; **Henry W. Scherer**, Gurnee, both of Ill.

[73] Assignee: **S&C Electric Company**, Chicago, Ill.

[**] Term: **14 Years**

[21] Appl. No.: **59,607**

[22] Filed: **Sep. 13, 1996**

[51] **LOC (6) Cl.** **13-03**

[52] **U.S. Cl.** **D13/160; D13/178**

[58] **Field of Search** **D13/158, 160, D13/161, 173, 178; 218/12; 337/158, 159, 168, 186, 208; 338/22 R, 225 D; 361/104, 115, 118**

[56] **References Cited**

U.S. PATENT DOCUMENTS

- D. 363,919 11/1995 Biller et al. D13/160
- D. 374,428 10/1996 Scherer et al. D13/160

Primary Examiner—James Gandy
Assistant Examiner—Cathron B. Matta
Attorney, Agent, or Firm—James V. Lapacek

[57] **CLAIM**

The ornamental design for an electrical current limiter for power systems, as shown and described.

DESCRIPTION

FIG. 1 is a perspective view of an electrical current limiter for power systems showing our new design;

FIG. 2 is a front elevational view thereof;

FIG. 3 is a rear elevational view thereof;

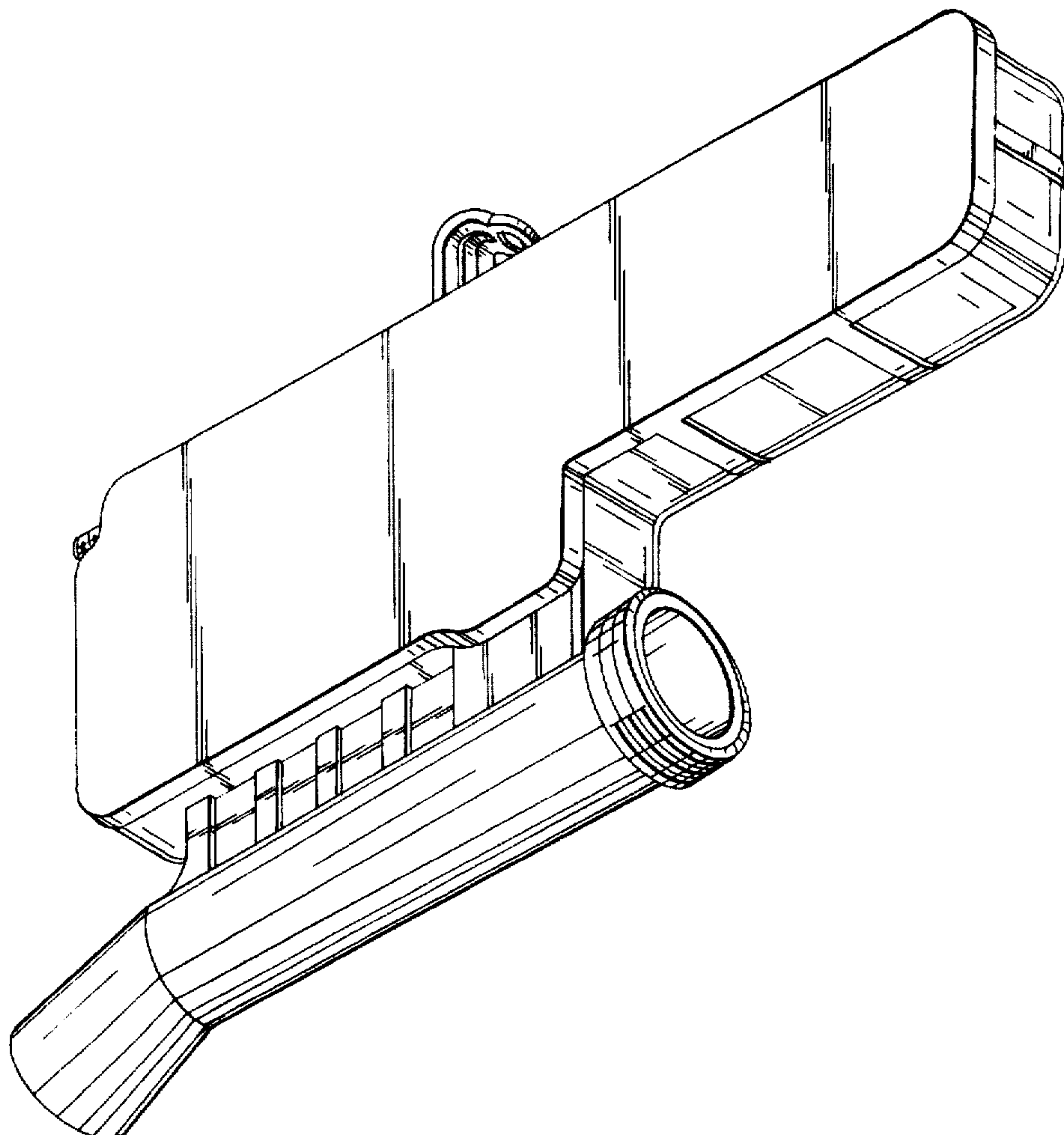
FIG. 4 is a right side elevational view thereof;

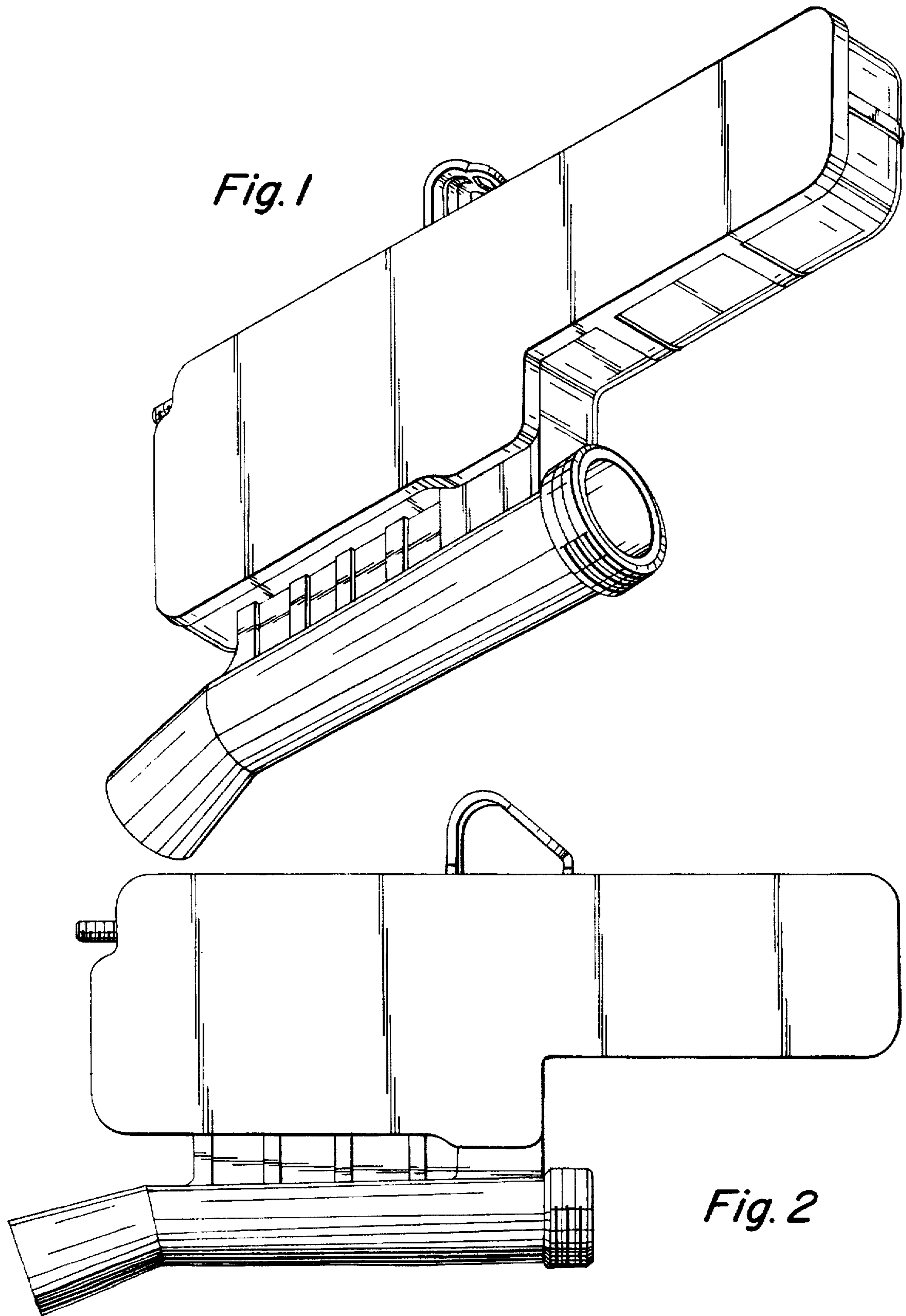
FIG. 5 is a left side elevational view thereof;

FIG. 6 is a top plan view thereof; and,

FIG. 7 is a bottom plan view thereof.

1 Claim, 3 Drawing Sheets





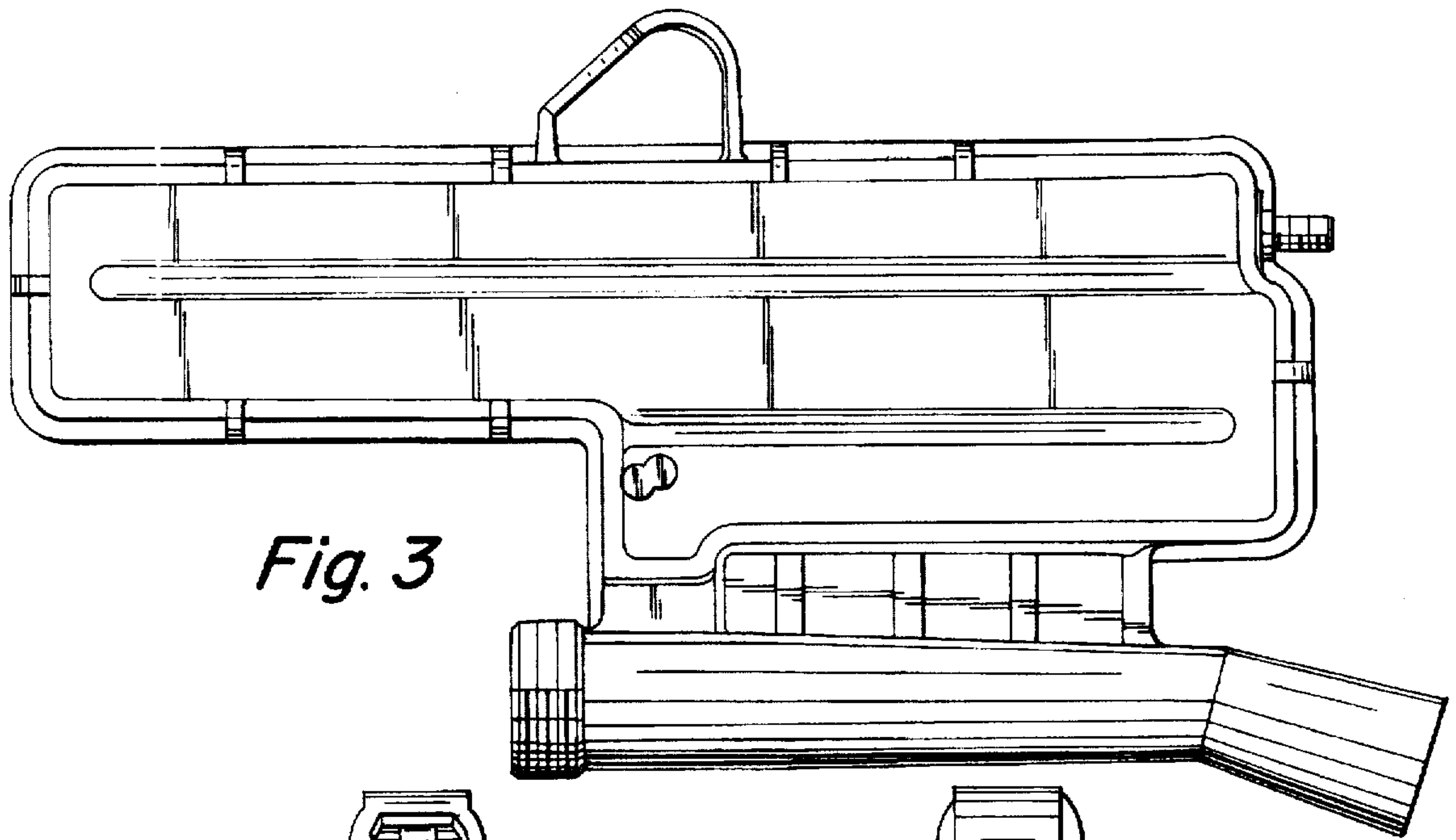


Fig. 3

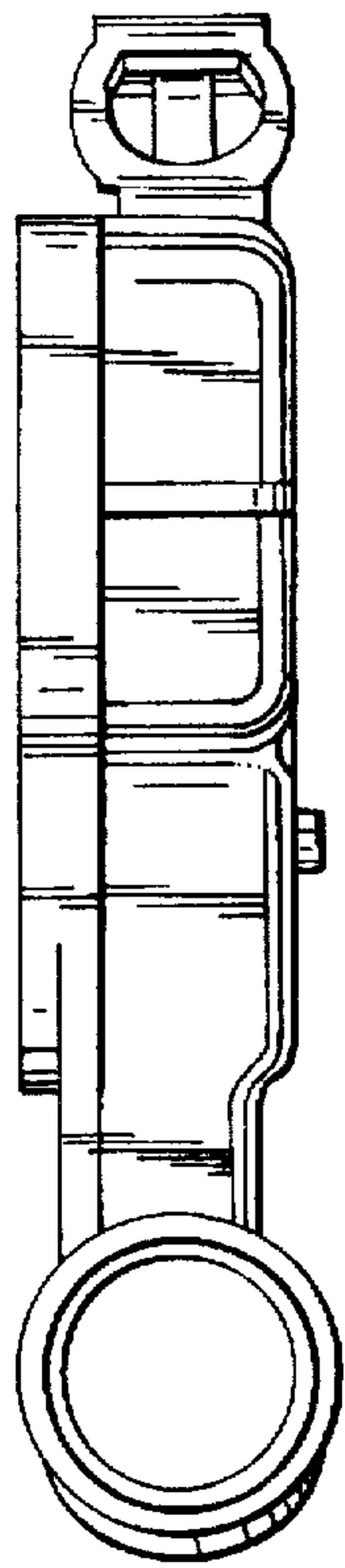


Fig. 4

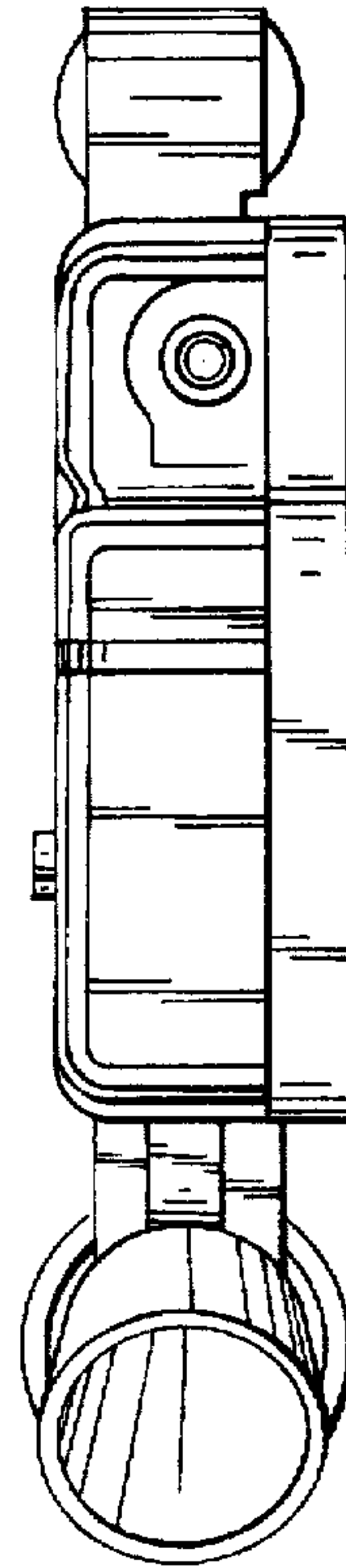


Fig. 5

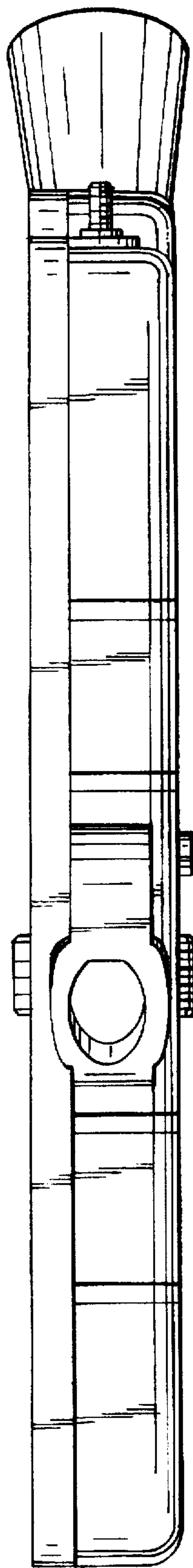


Fig. 6

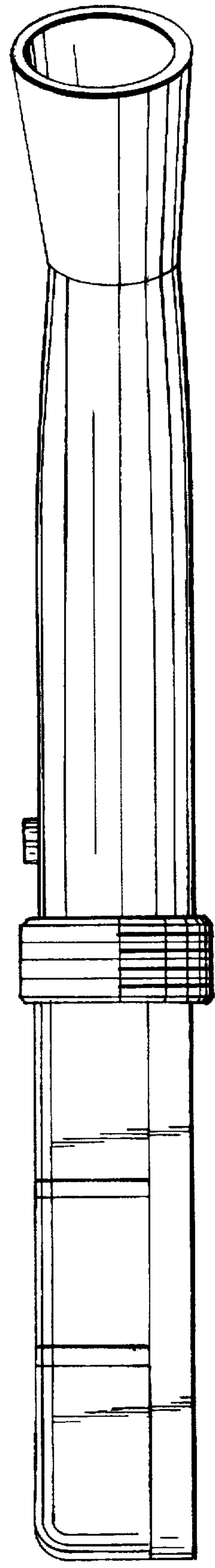


Fig. 7