



US00D391224S

United States Patent [19]
Schumacher

[11] **Patent Number:** **Des. 391,224**
[45] **Date of Patent:** ****Feb. 24, 1998**

[54] **BATTERY PACK**

[75] **Inventor:** **Robert A. Schumacher**, New York, N.Y.
[73] **Assignee:** **Gemini Industries, Inc.**, Clifton, N.J.
[**] **Term:** **14 Years**

[21] **Appl. No.:** **35,968**
[22] **Filed:** **Mar. 10, 1995**

[51] **LOC (6) Cl.** **13-02**
[52] **U.S. Cl.** **D13/103**
[58] **Field of Search** **D13/103; 429/97, 429/98, 99, 121, 159, 163, 176**

[56] **References Cited**

U.S. PATENT DOCUMENTS

D. 277,747	2/1985	Toth	D13/103
D. 305,717	1/1990	Soren et al.	D13/103
D. 320,780	10/1991	Nagele	D13/103
D. 339,321	9/1993	Finch et al.	D13/103
D. 350,328	9/1994	Alexandres et al.	D13/103
D. 352,269	11/1994	Alexandres et al.	D13/103
D. 358,128	5/1995	Berry et al.	D13/103
D. 359,267	6/1995	Berry et al.	D13/103
4,904,549	2/1990	Goodwin et al.	429/97
5,180,644	1/1993	Bresin et al.	D13/103 X
5,242,767	9/1993	Roback et al.	429/97
5,308,716	5/1994	Shababy et al.	429/97
5,314,763	5/1994	Aksoy et al.	429/97
5,432,017	7/1995	Hassemer et al.	429/99 X

FOREIGN PATENT DOCUMENTS

125671	11/1984	European Pat. Off.	429/163
--------	---------	--------------------	-------	---------

OTHER PUBLICATIONS

Rechargeable batteries on p. 133 of *Hong Kong Enterprise*, Jun. 1991.
Rechargeable batteries on p. 569 of *Hong Kong Enterprise*, Jun. 1994.

Primary Examiner—Joel Sincavage
Attorney, Agent, or Firm—Lerner, David, Littenberg, Krumholz & Mentlik

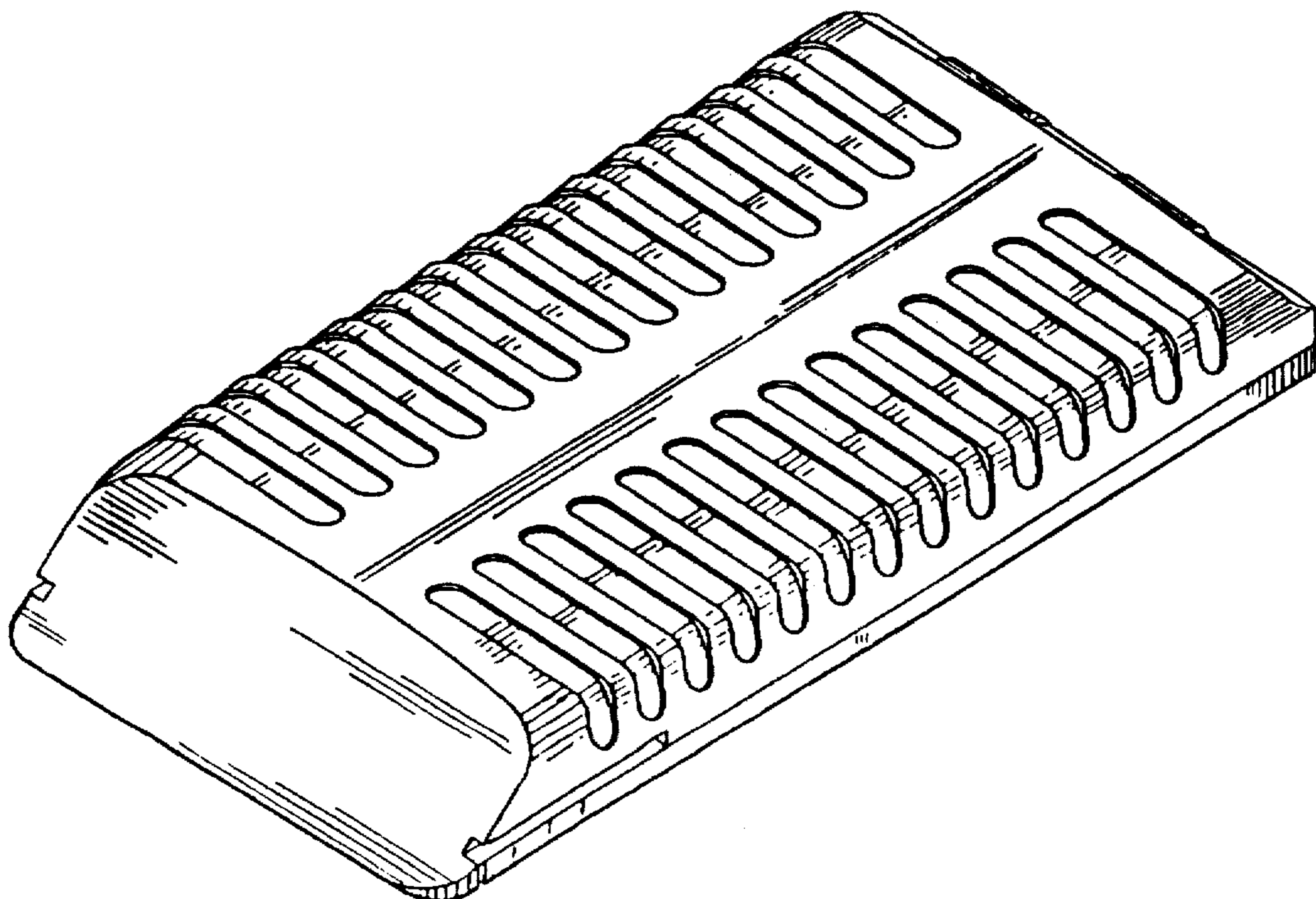
[57] **CLAIM**

The ornamental design for a battery pack, as shown and described.

DESCRIPTION

FIG. 1 is a perspective view, taken slightly from above, of a battery pack showing my new design;
FIG. 2 is a right side elevational view taken from FIG. 4;
FIG. 3 is a left side elevational view taken from FIG. 4;
FIG. 4 is a rear elevational view, the front elevational view being identical thereto;
FIG. 5 is a top plan view;
FIG. 6 is a bottom plan view;
FIG. 7 is a perspective view, taken slightly from above, of another embodiment of my design;
FIG. 8 is a left side elevational view taken from FIG. 10;
FIG. 9 is a right side elevational view taken from FIG. 10;
FIG. 10 is a front elevational view, the rear elevational view being identical thereto;
FIG. 11 is a top plan view;
FIG. 12 is a bottom plan view;
FIG. 13 is a perspective view, taken slightly from above from the right side of the battery pack shown in FIG. 1; and, FIG. 14 is a perspective view, taken slightly from above from the right side of the battery pack shown in FIG. 7.

1 Claim, 10 Drawing Sheets



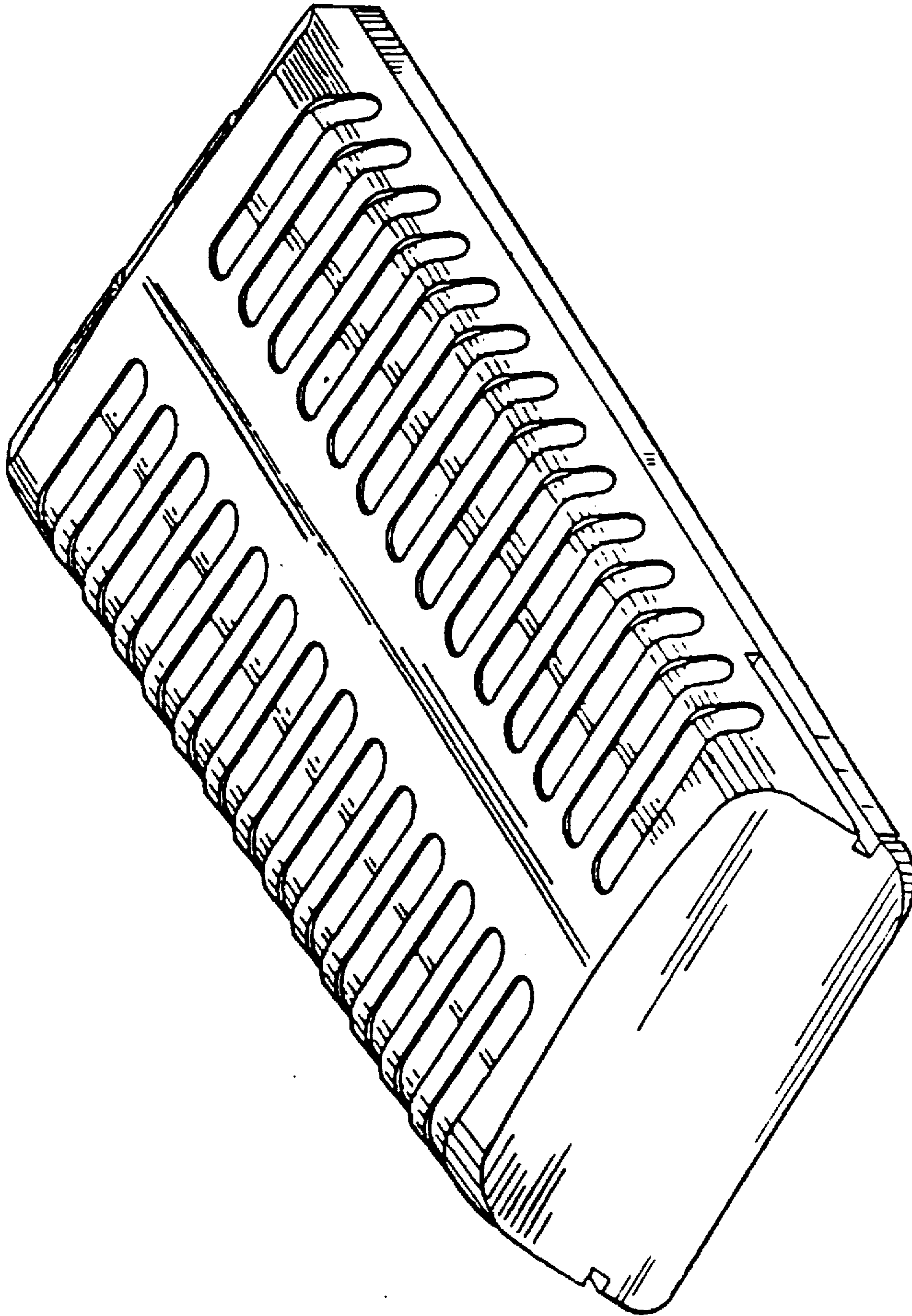


FIG. 1

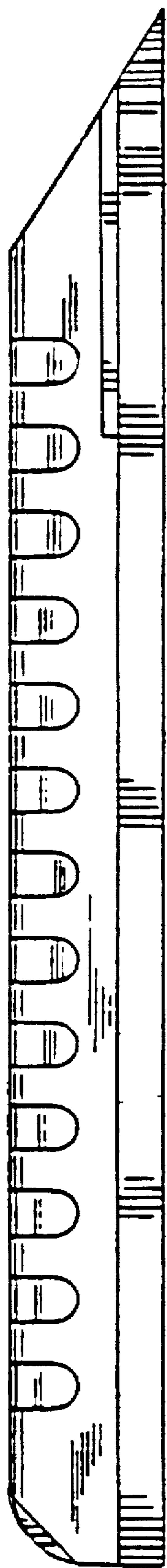


FIG. 4

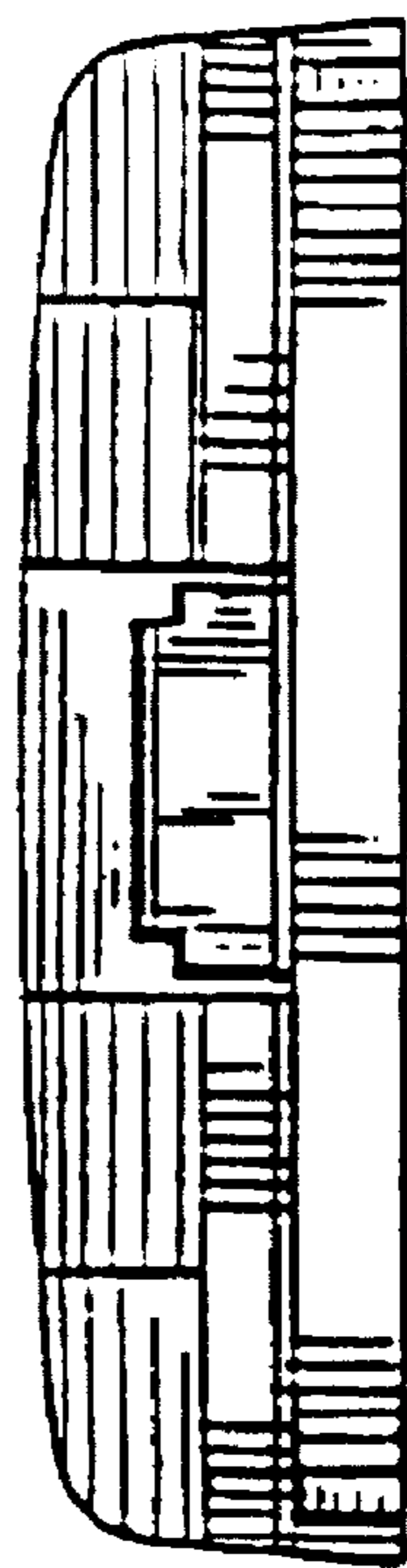


FIG. 3

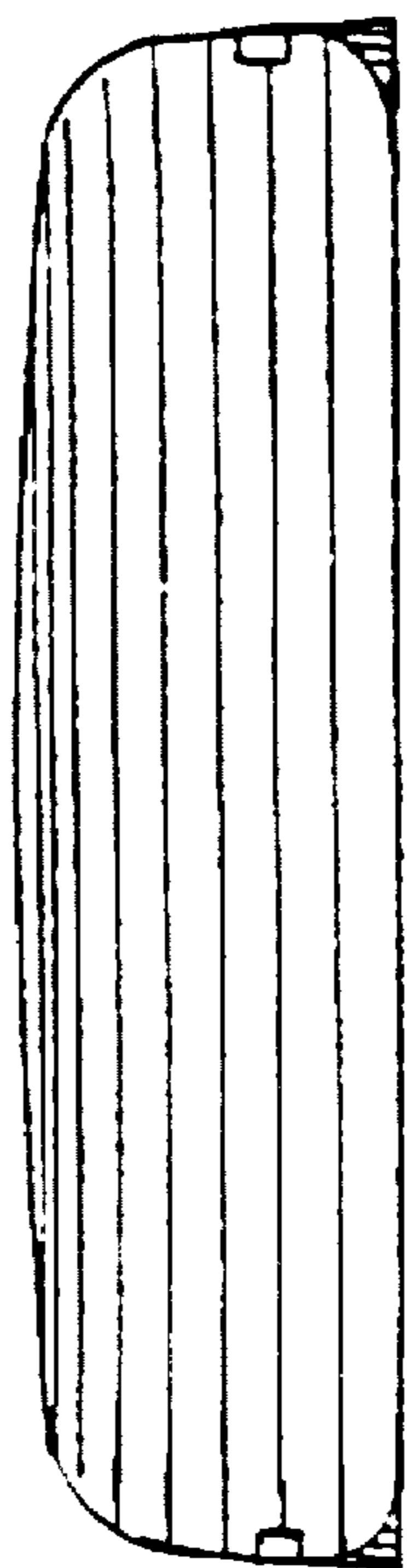


FIG. 2

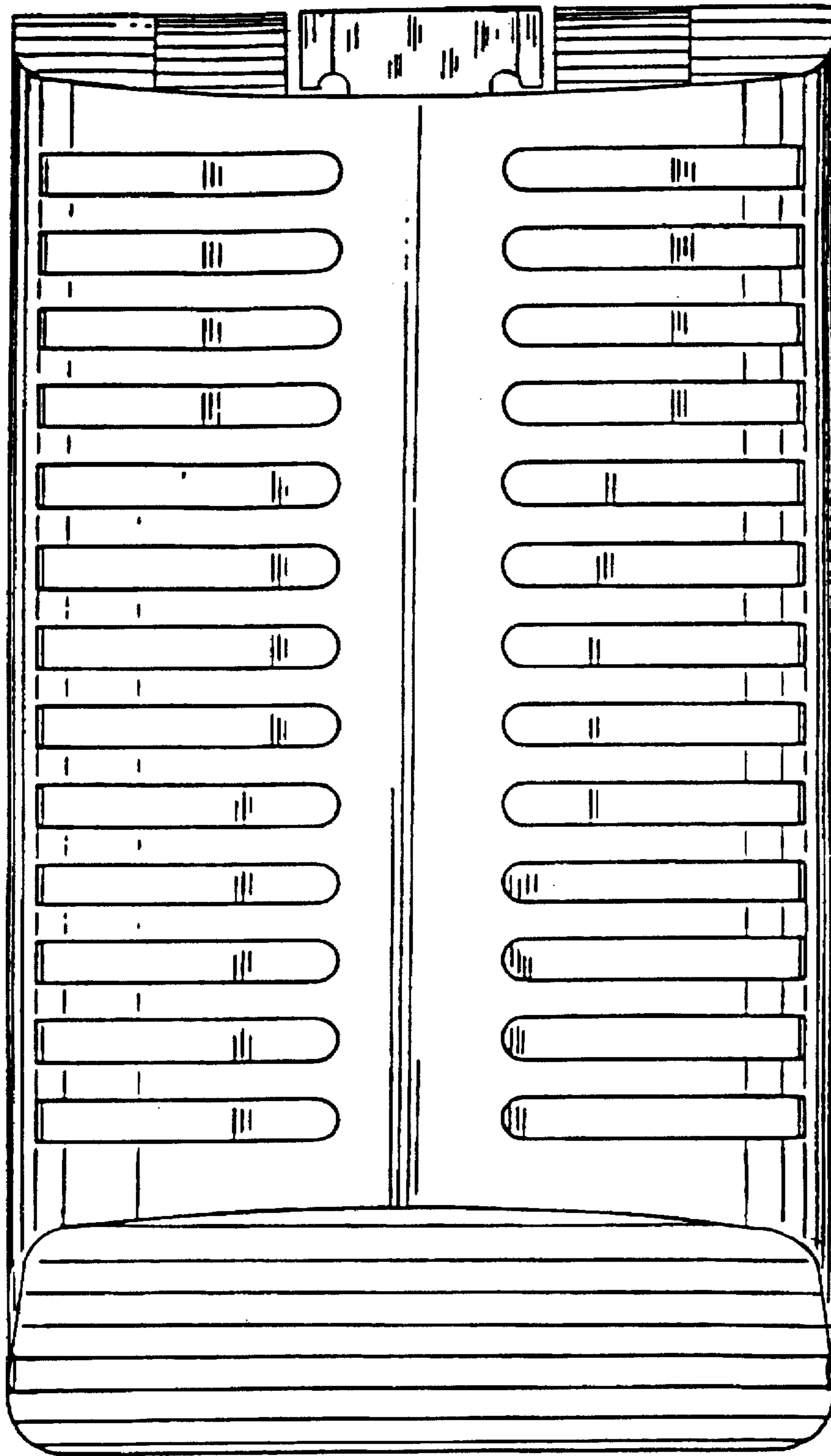


FIG. 5

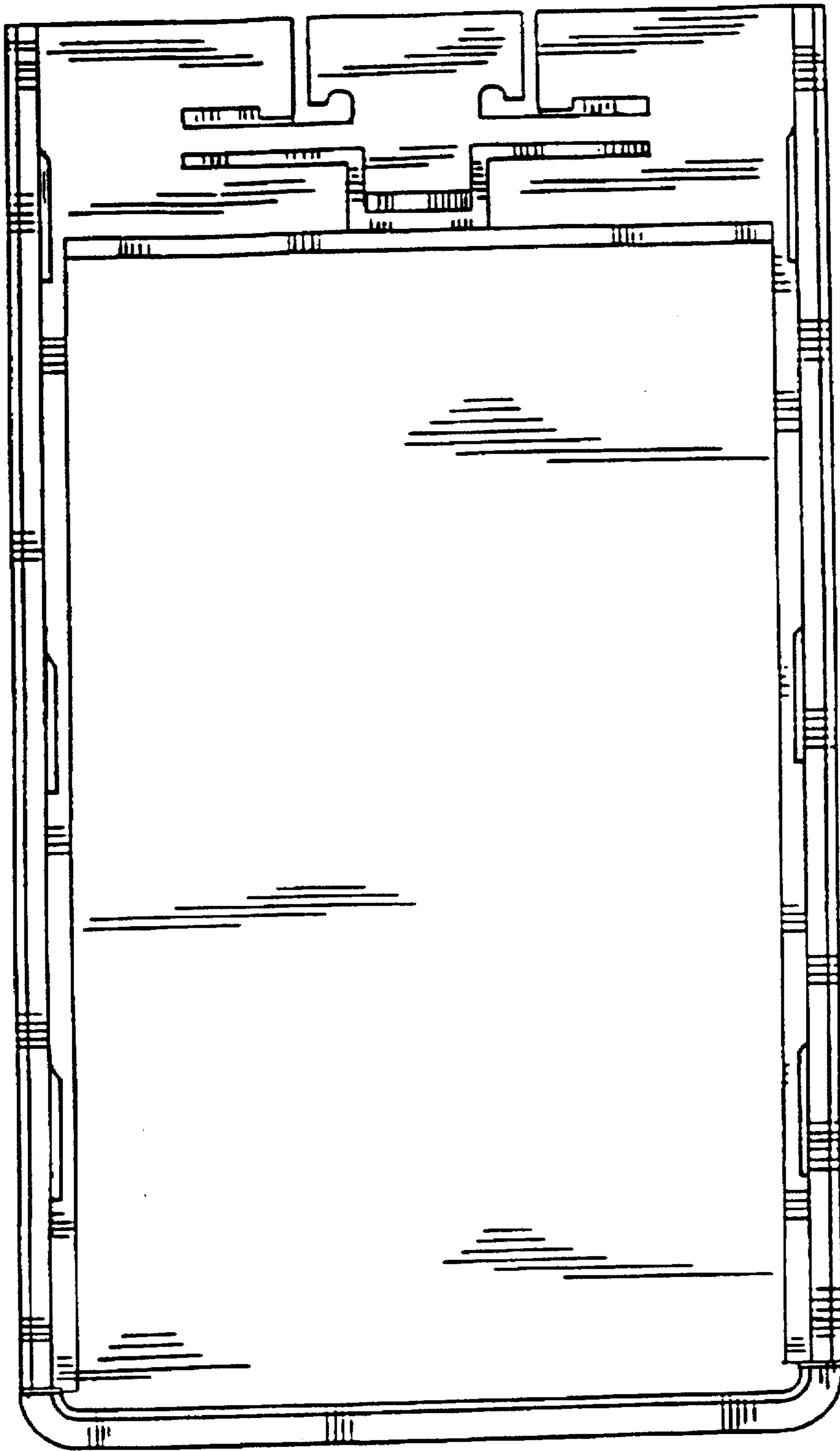


FIG. 6

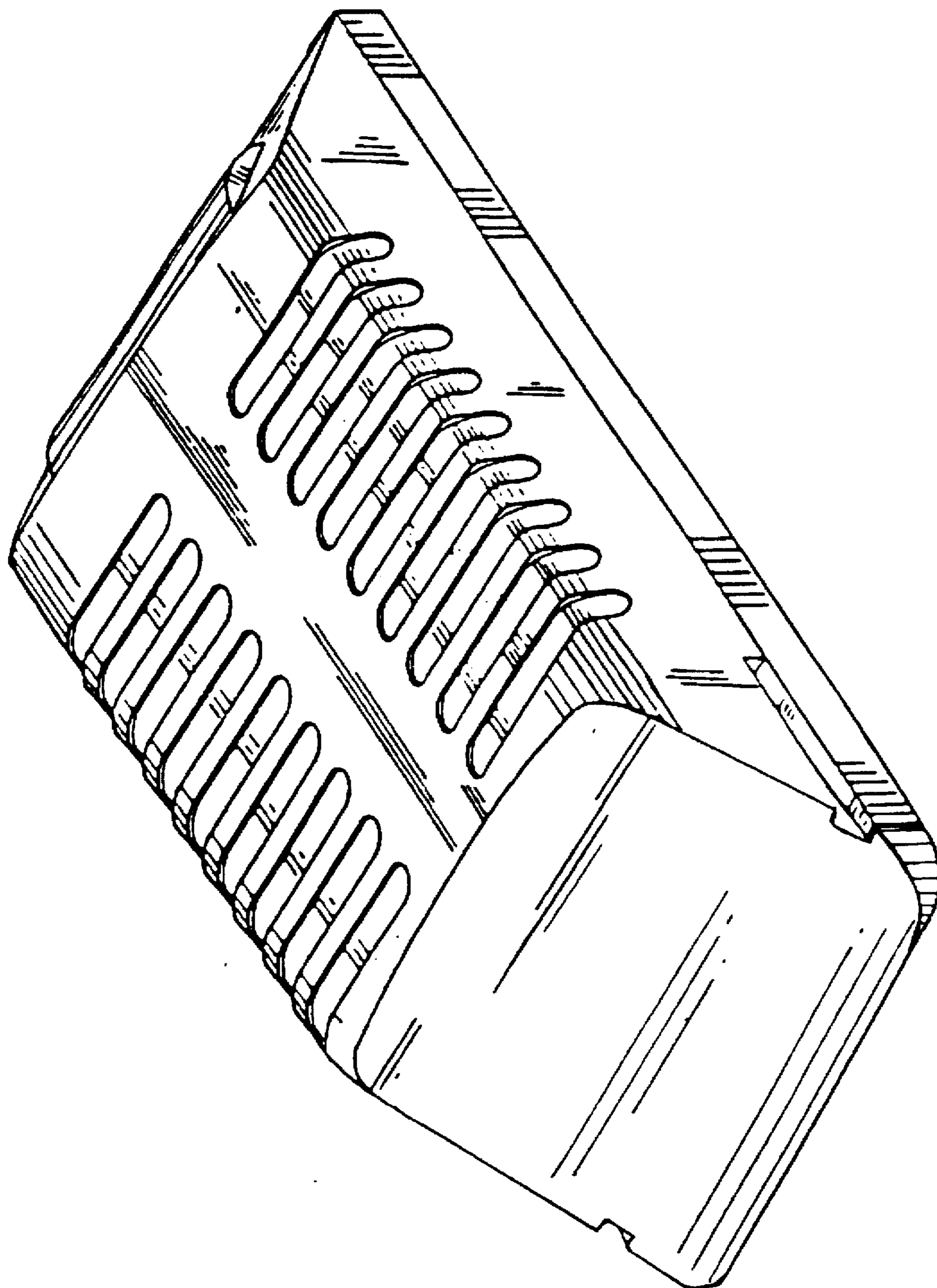


FIG. 7

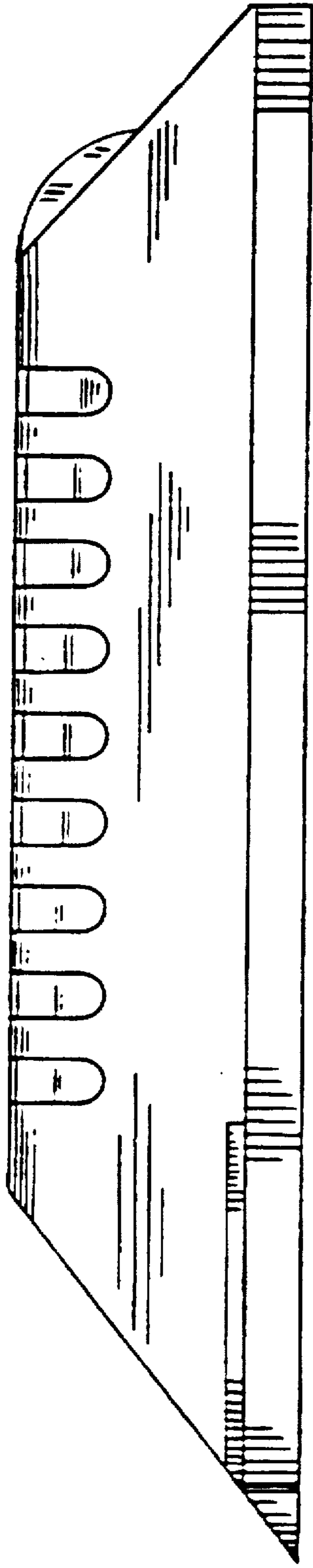


FIG. 10

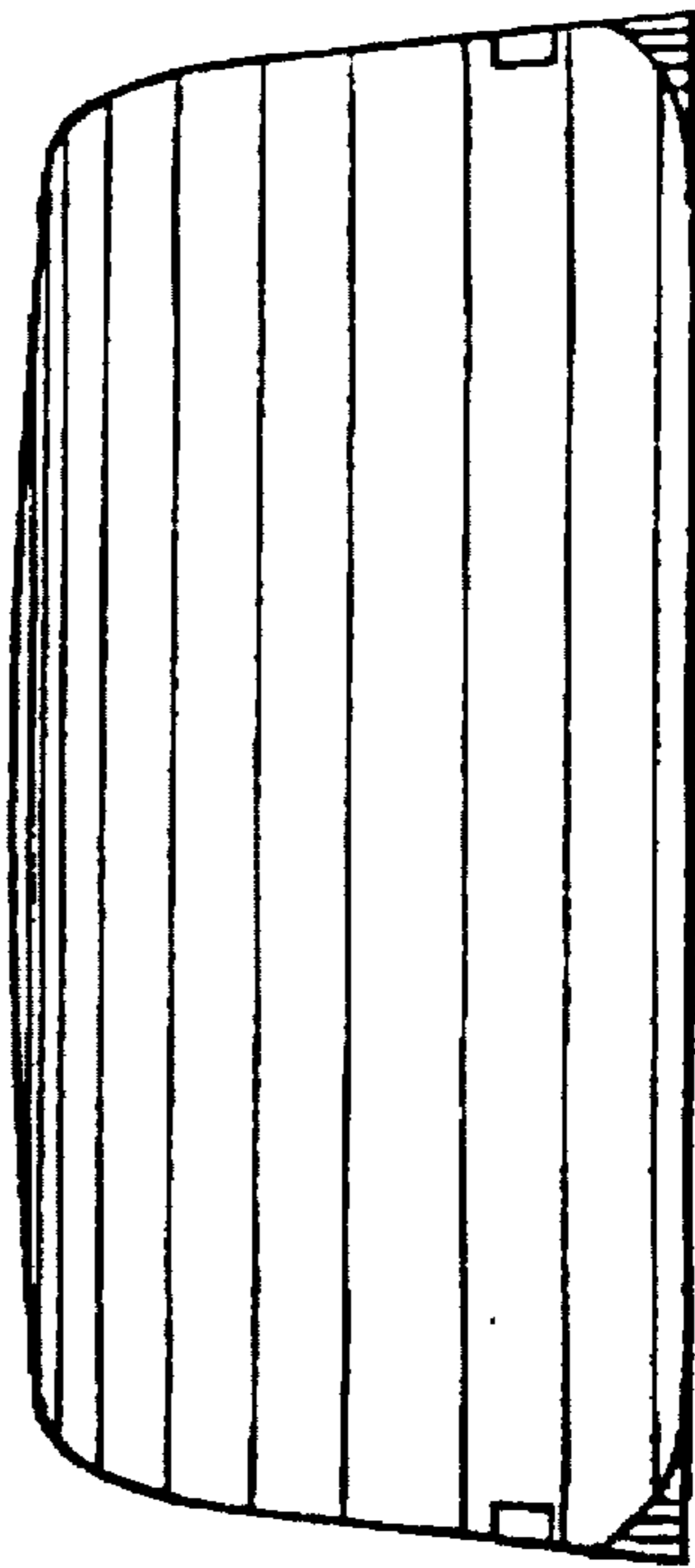


FIG. 8

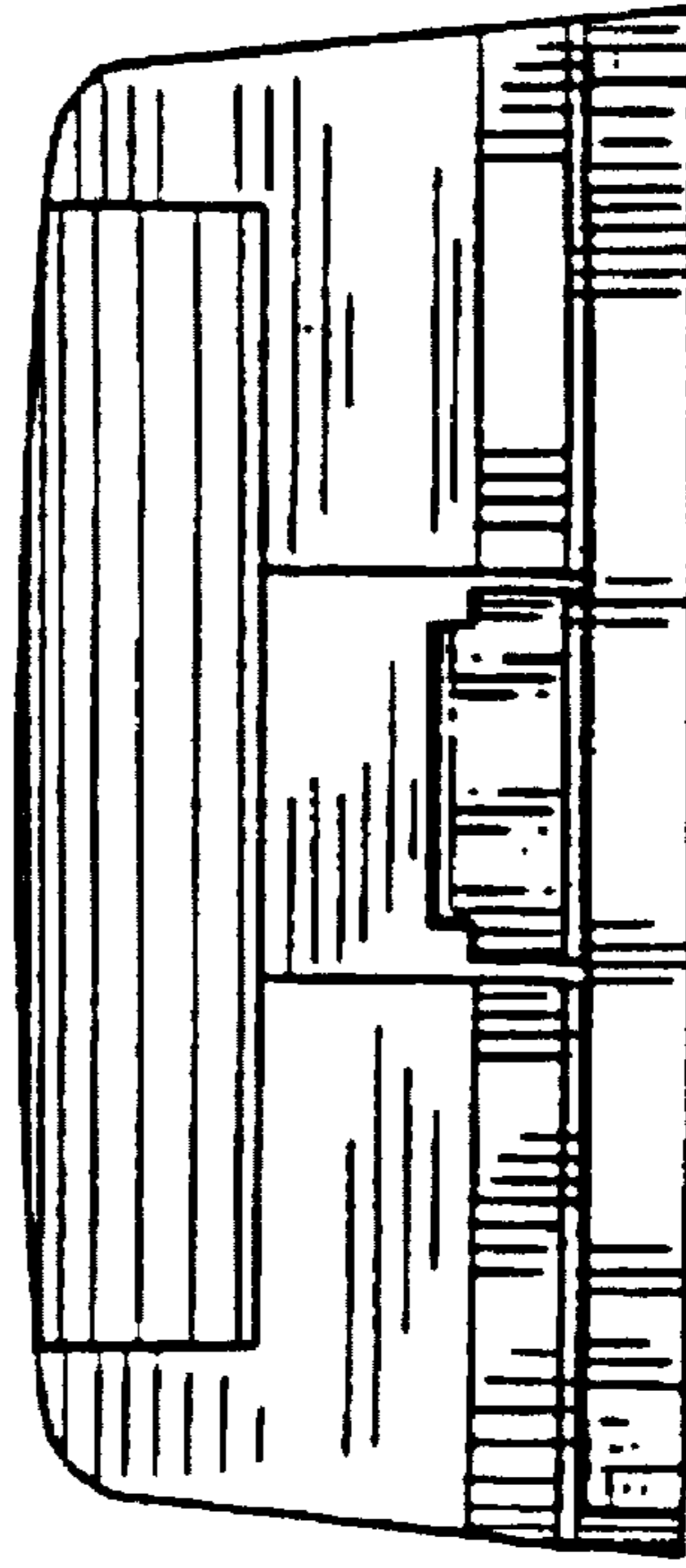


FIG. 9

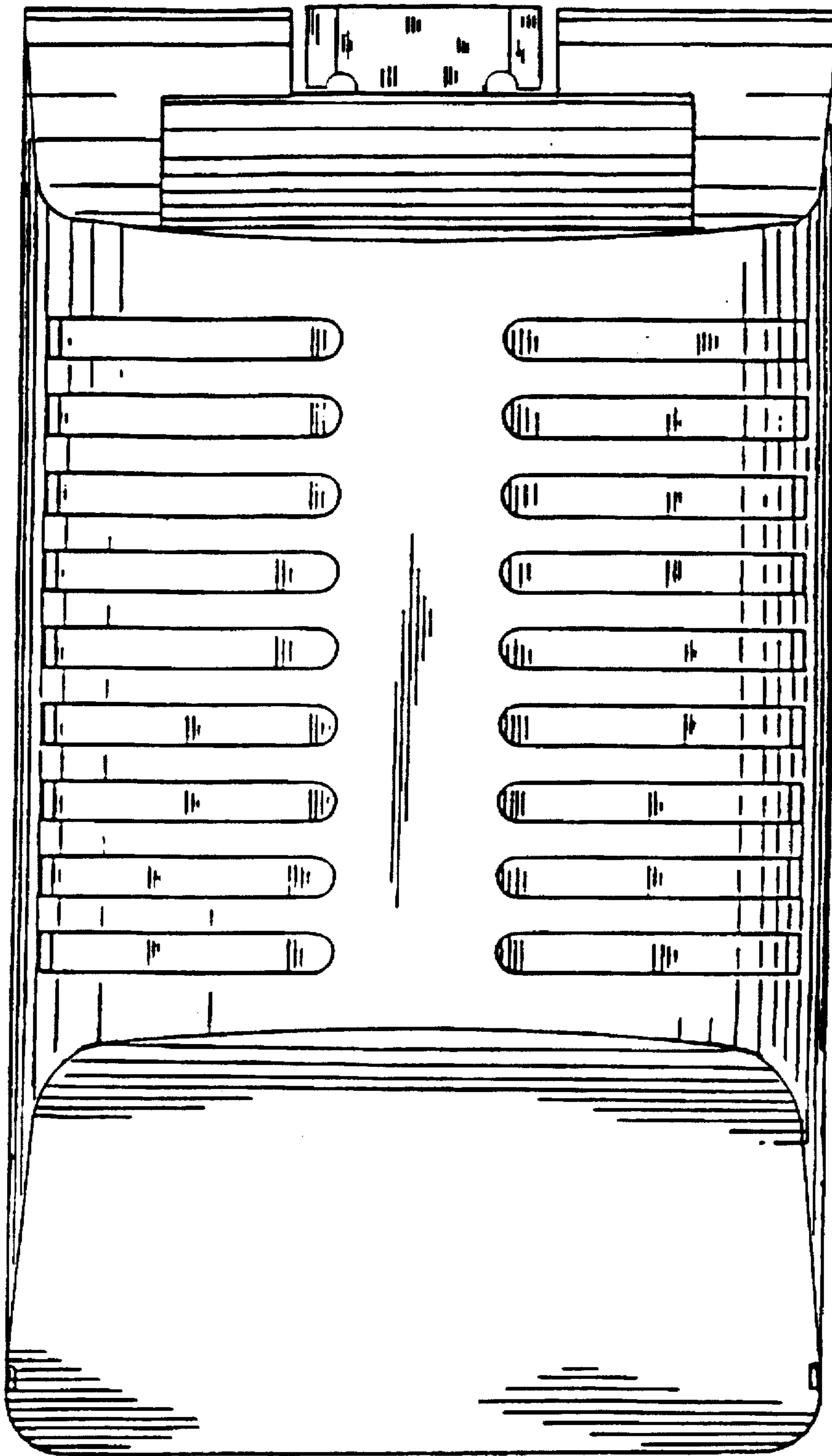


FIG. 11

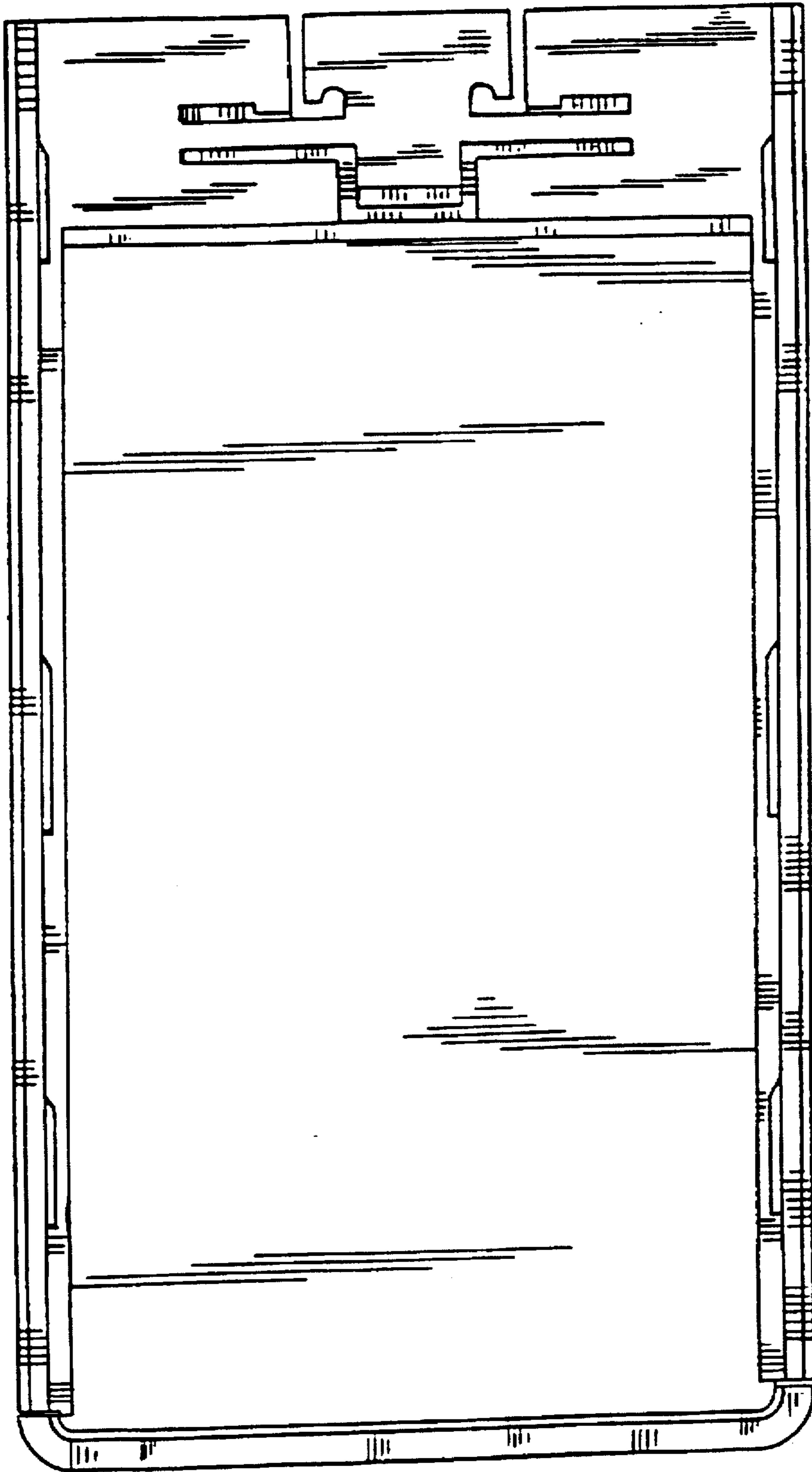


FIG. 12

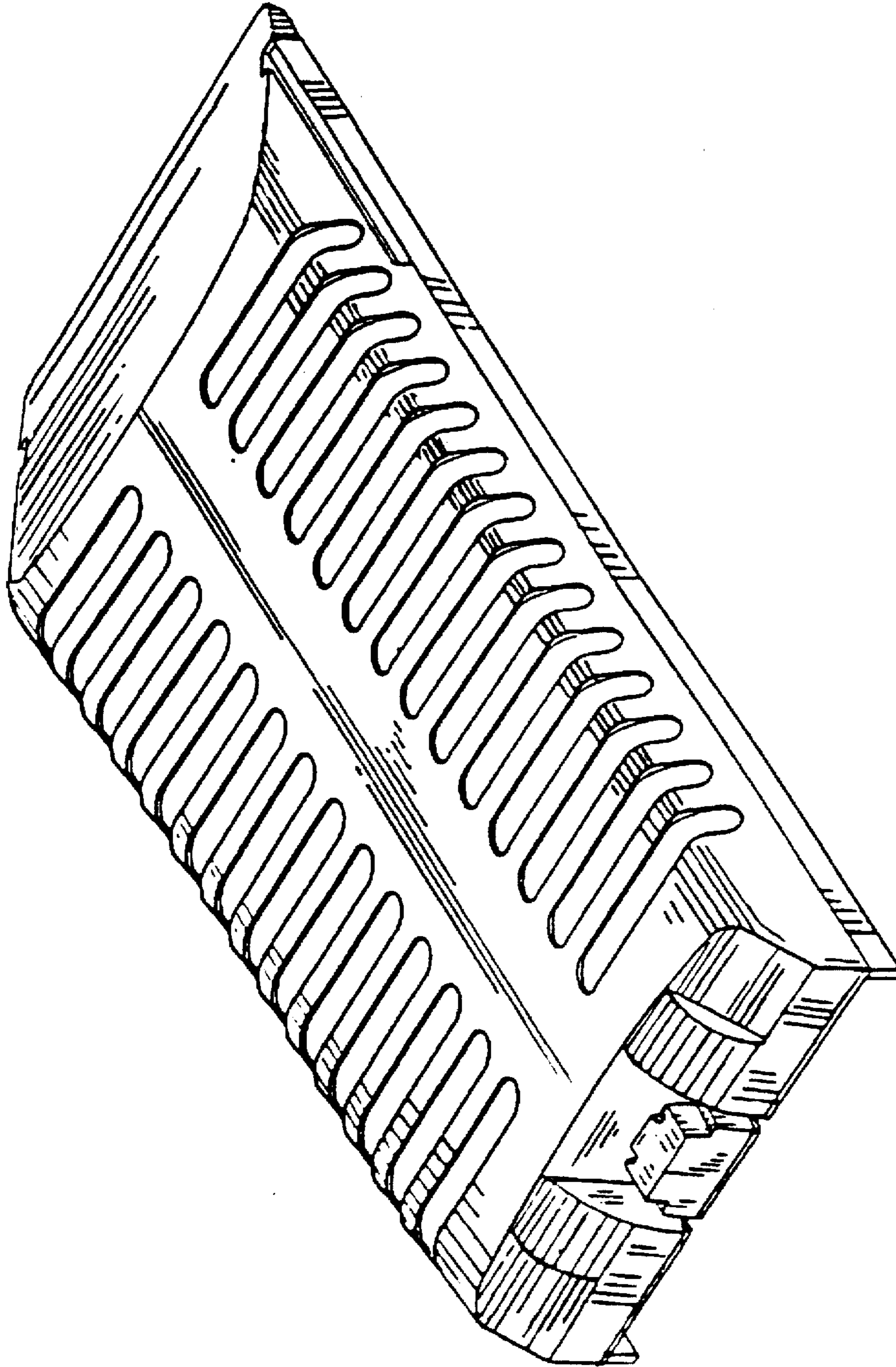


FIG. 13

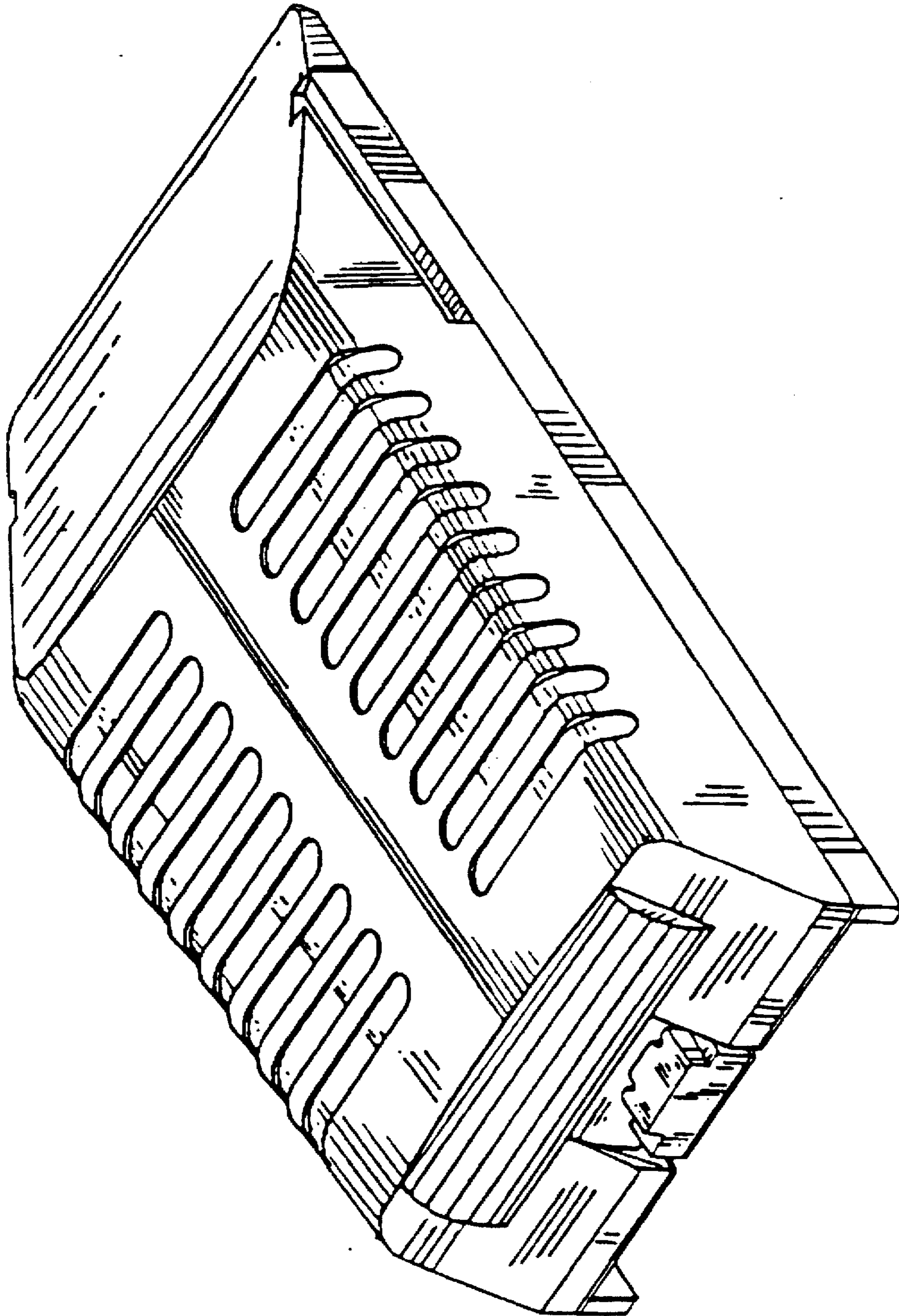


FIG. 14

**UNITED STATES PATENT AND TRADEMARK OFFICE
CERTIFICATE OF CORRECTION**

PATENT NO. : DES. 391,224
DATED : February 24, 1998
INVENTOR(S) : Schumacher

It is certified that error appears in the above-identified patent and that said Letters Patent is hereby corrected as shown below:

On the Title Page, in the Claim, line 1 "ornametal" should read --ornamental--.

Signed and Sealed this
Twenty-eighth Day of April, 1998



Attest:

BRUCE LEHMAN

Attesting Officer

Commissioner of Patents and Trademarks