



US00D391223S

United States Patent [19]

Lucas, Jr.

[11] Patent Number: **Des. 391,223**

[45] Date of Patent: ****Feb. 24, 1998**

[54] **STORAGE CONTAINER FOR MOTOR VEHICLES**

[75] Inventor: **Earl Clyde Lucas, Jr.**, Auburn Hills, Mich.

[73] Assignee: **Lear Corporation**, Southfield, Mich.

[**] Term: **14 Years**

[21] Appl. No.: **66,906**

[22] Filed: **Feb. 24, 1997**

[51] LOC (6) Cl. **12-16**

[52] U.S. Cl. **D12/424**

[58] Field of Search D12/400, 415, D12/416, 419-426; 296/37.1, 37.6, 37.8, 37.13-37.16; 224/42.11, 42.24, 42.25, 275, 400, 49 S, 539-543

[56] **References Cited**

U.S. PATENT DOCUMENTS

- D. 191,356 9/1961 Krone D12/415 X
- D. 212,726 11/1968 Di Vona D12/421
- D. 235,082 5/1975 Weaver D12/415

- D. 238,771 2/1976 Spokus D12/423
- D. 251,035 2/1979 Hart D12/421
- D. 252,540 8/1979 Murphy D12/419
- D. 317,674 6/1991 Smith D12/419
- D. 323,932 2/1992 Hudgens D12/419
- D. 359,266 6/1995 Karp et al. D12/419
- D. 375,480 11/1996 Smith D12/419

Primary Examiner—James Gandy
Assistant Examiner—Stacia Sinuik
Attorney, Agent, or Firm—Brooks & Kushman P.C.

[57] **CLAIM**

The ornamental design for a storage container for motor vehicles, as shown and described.

DESCRIPTION

FIG. 1 is a top front perspective view of a storage container for motor vehicle showing my new design;
FIG. 2 is an enlarged front elevation view thereof;
FIG. 3 is an enlarged right side view thereof;
FIG. 4 is an enlarged rear view thereof;
FIG. 5 is an enlarged left side view thereof;
FIG. 6 is an enlarged top view thereof; and,
FIG. 7 is an enlarged bottom view thereof.

1 Claim, 2 Drawing Sheets

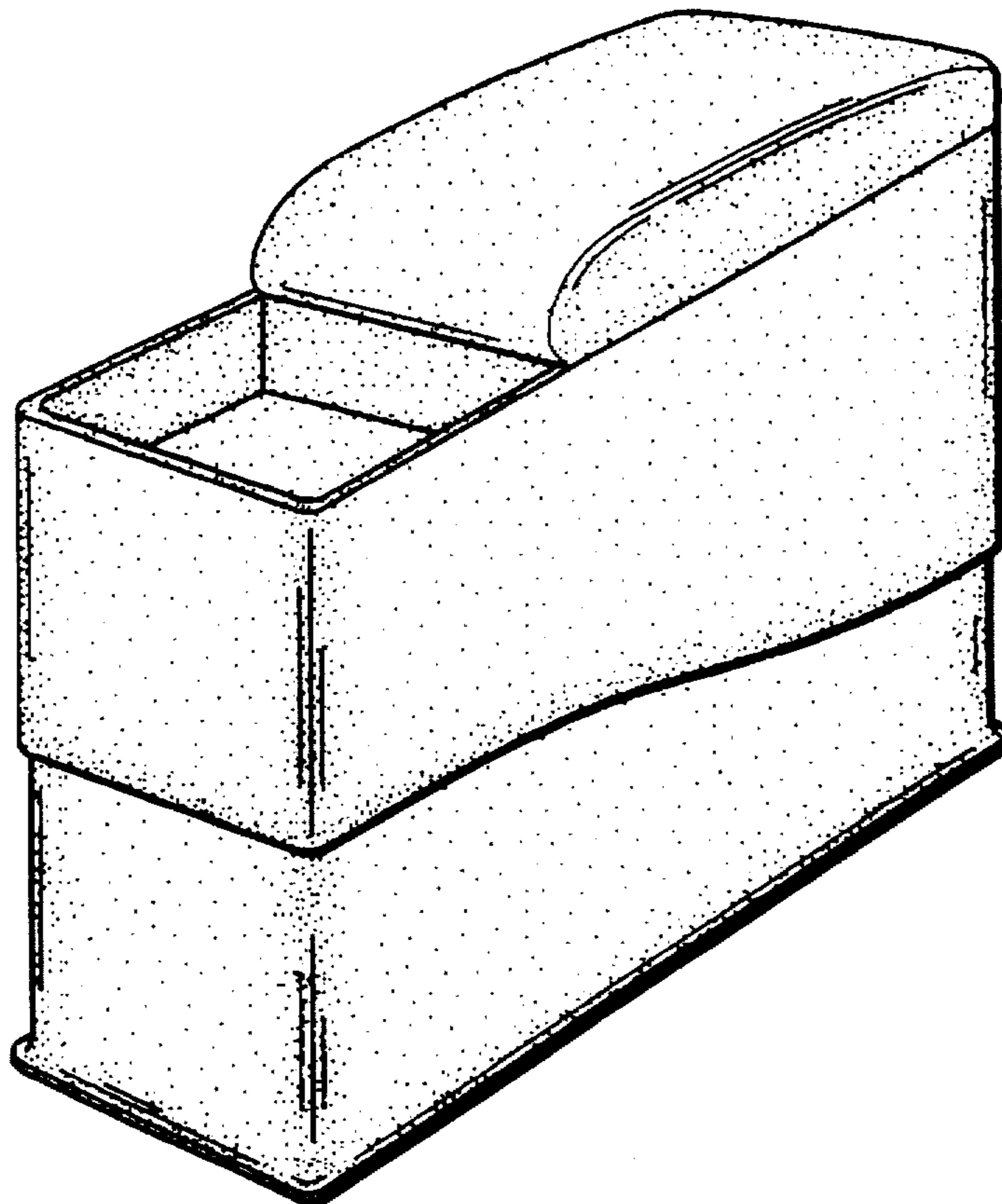


Fig. 1

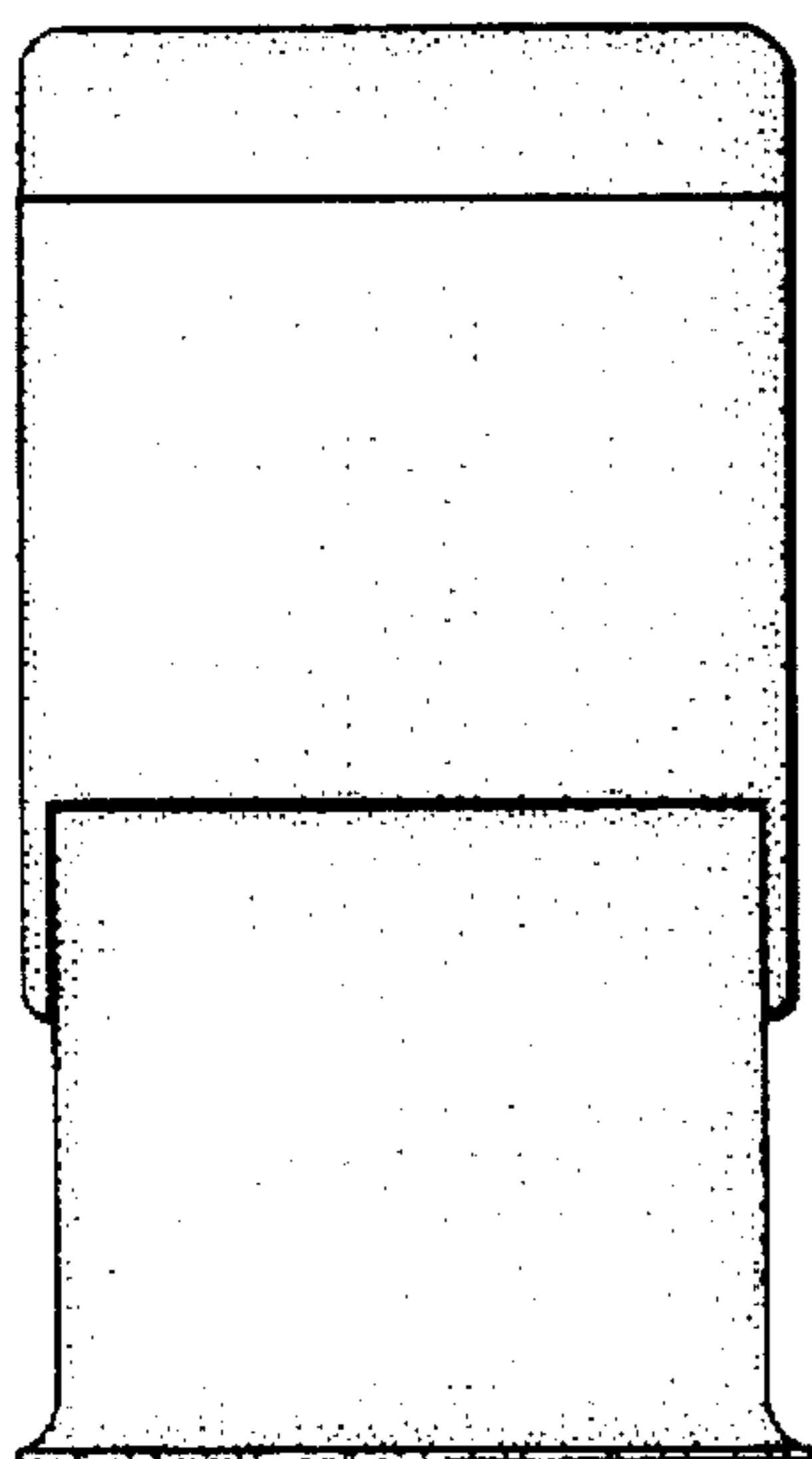
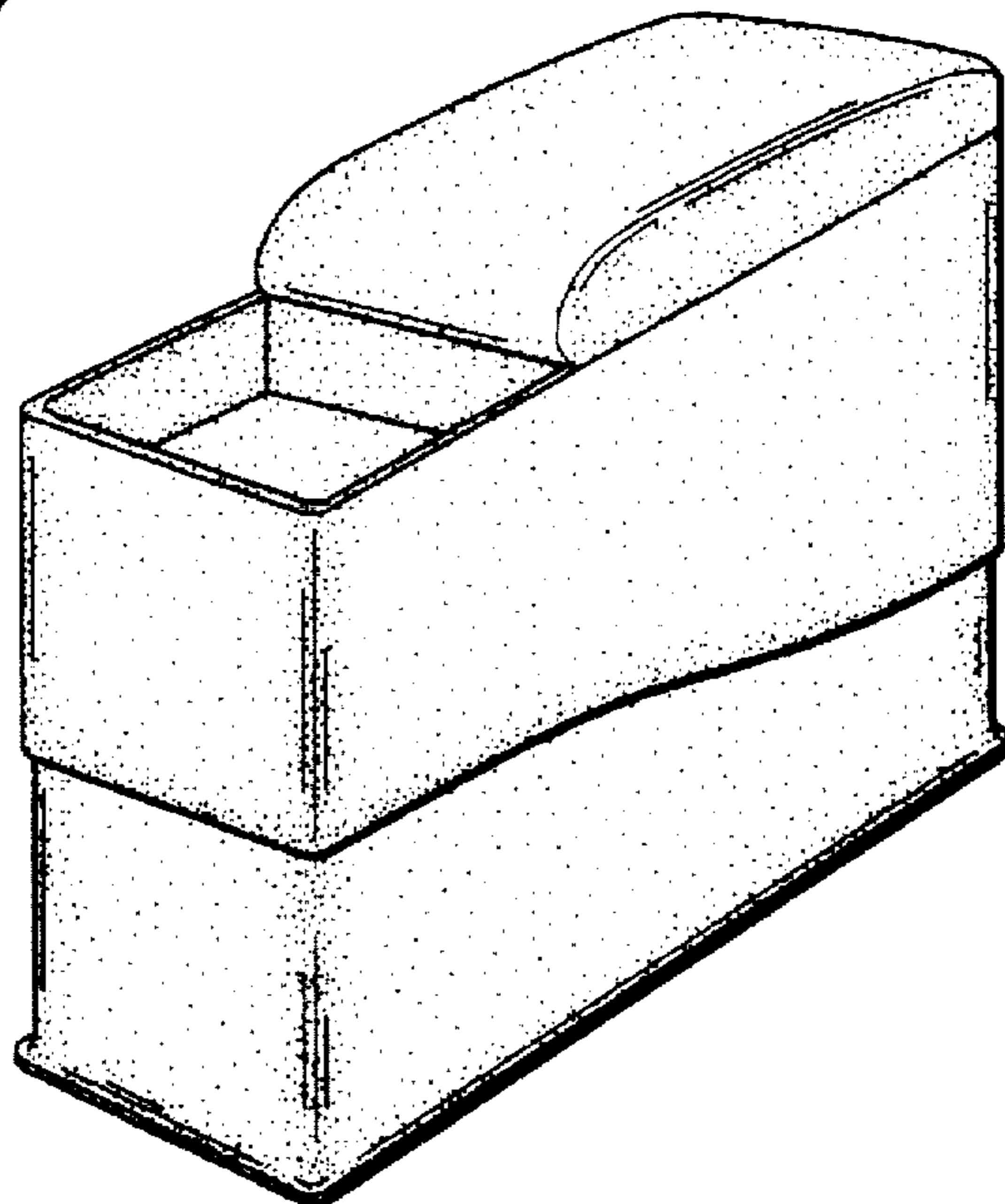


Fig. 2

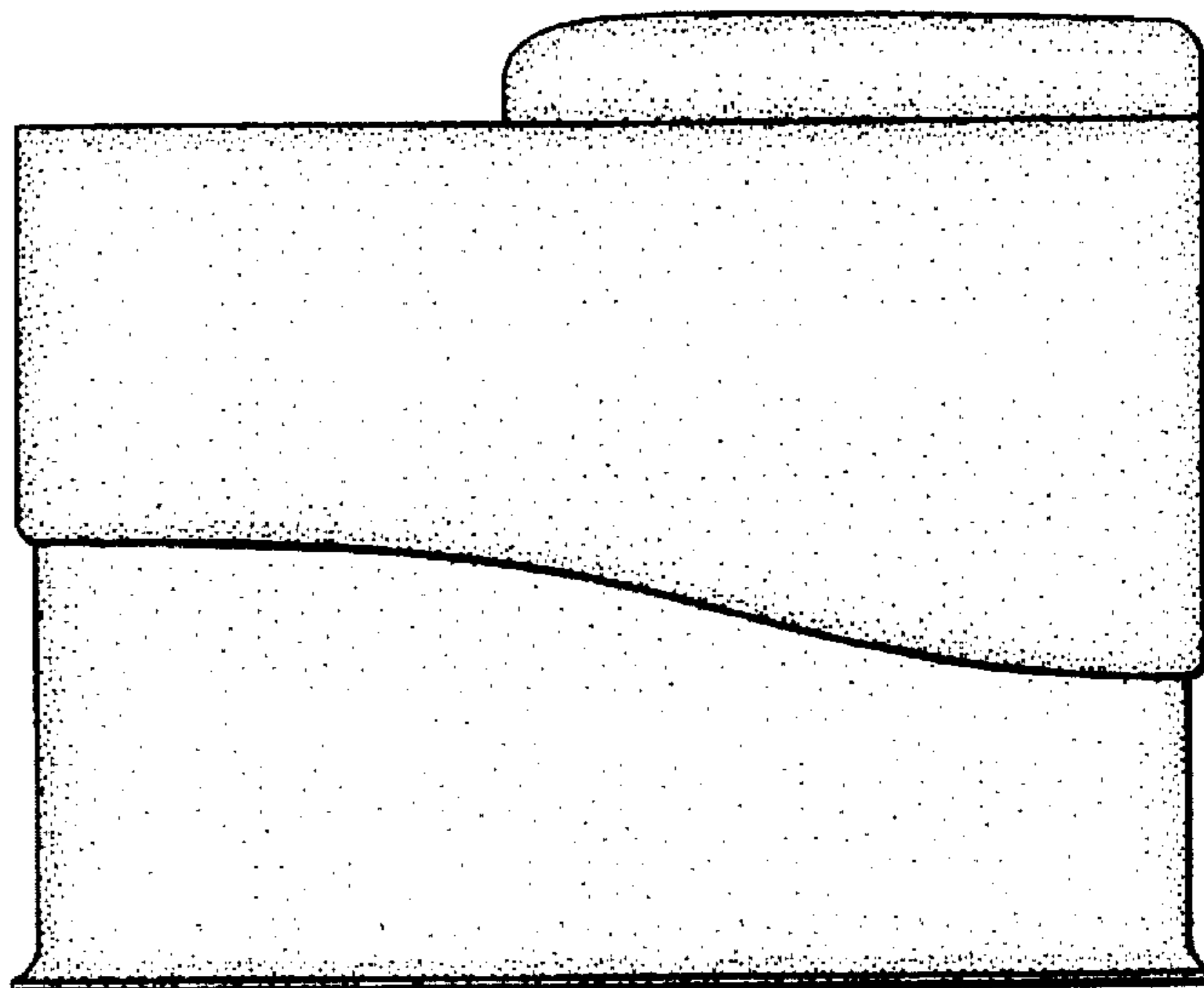


Fig. 3



Fig. 6

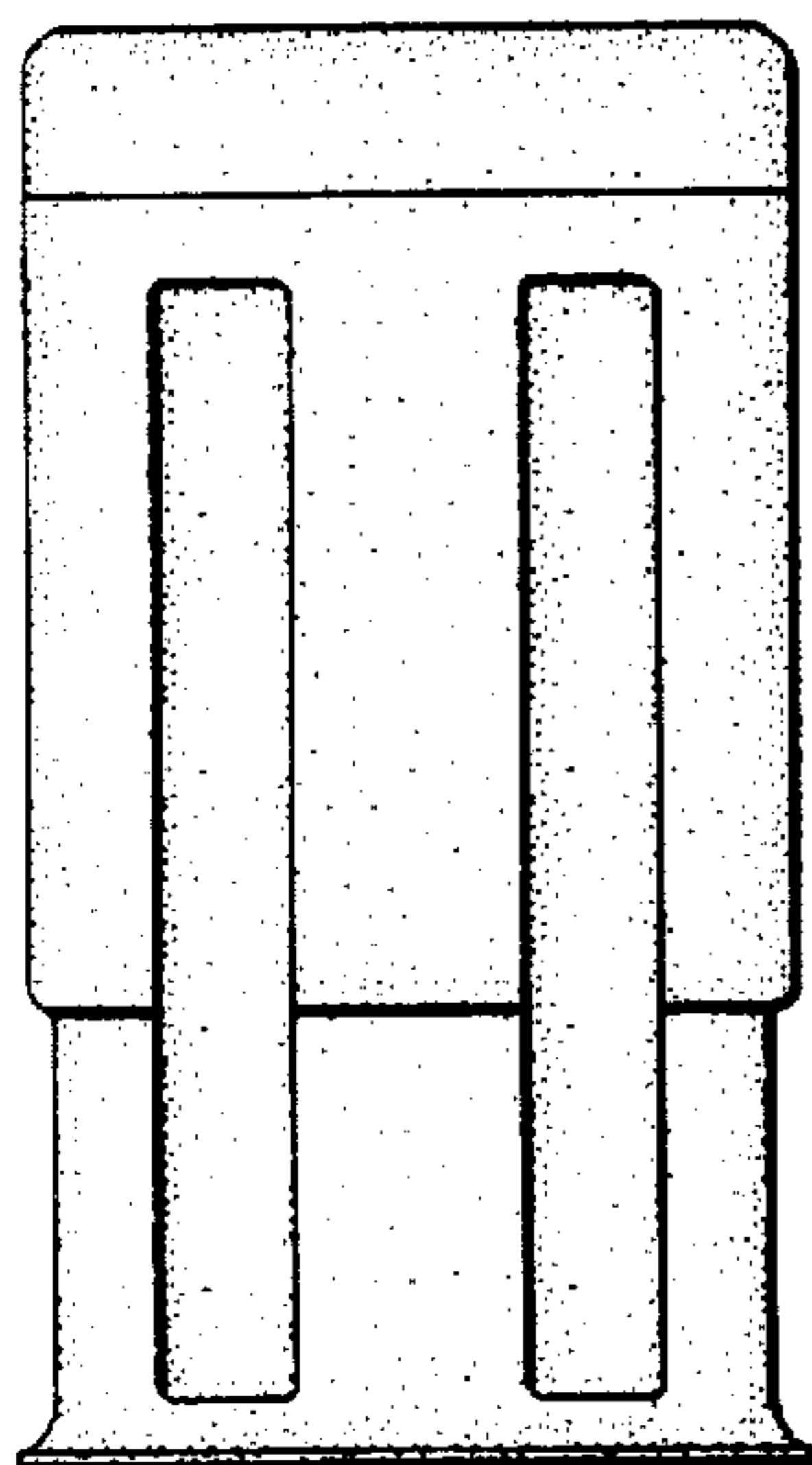


Fig. 4

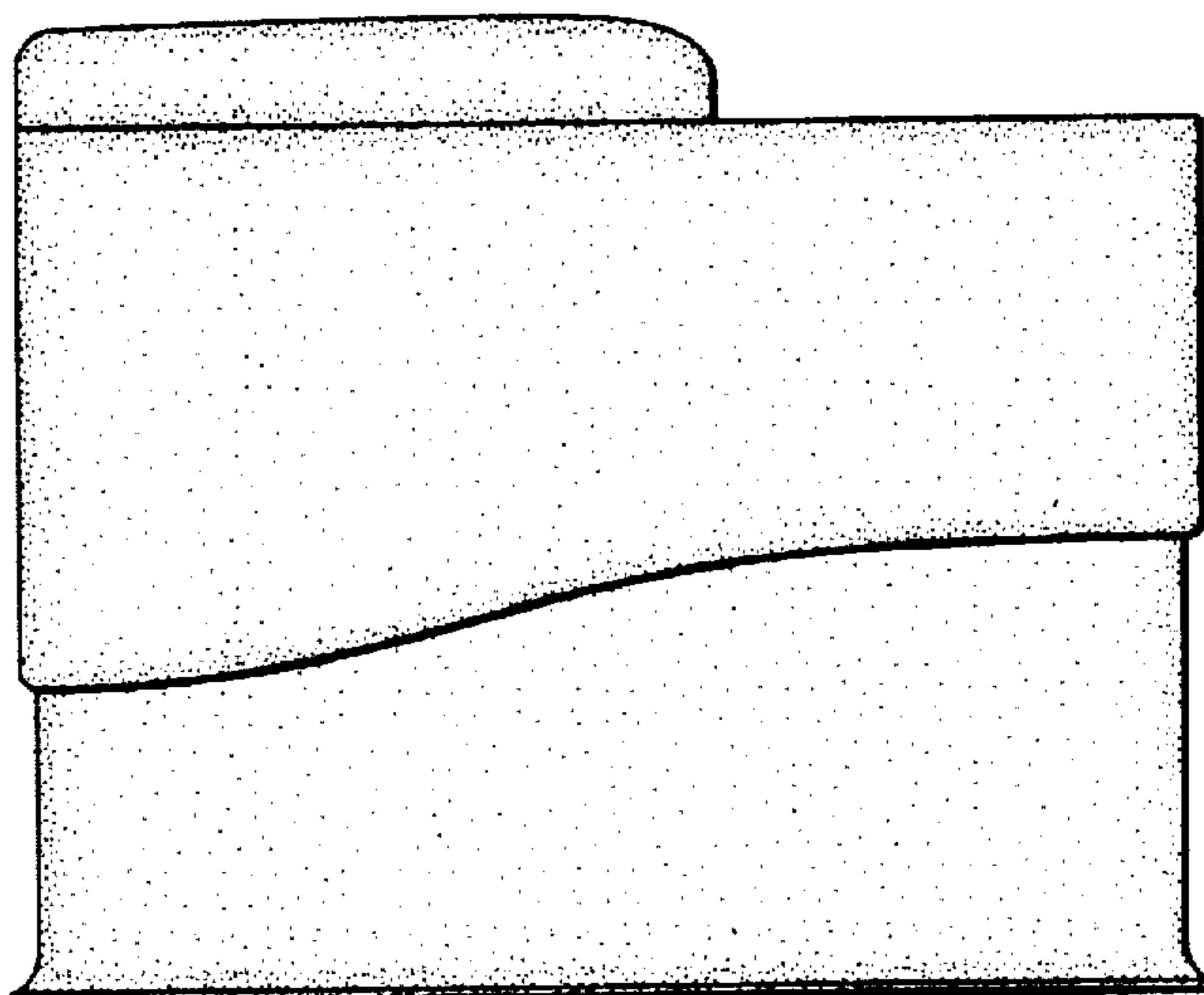


Fig. 5

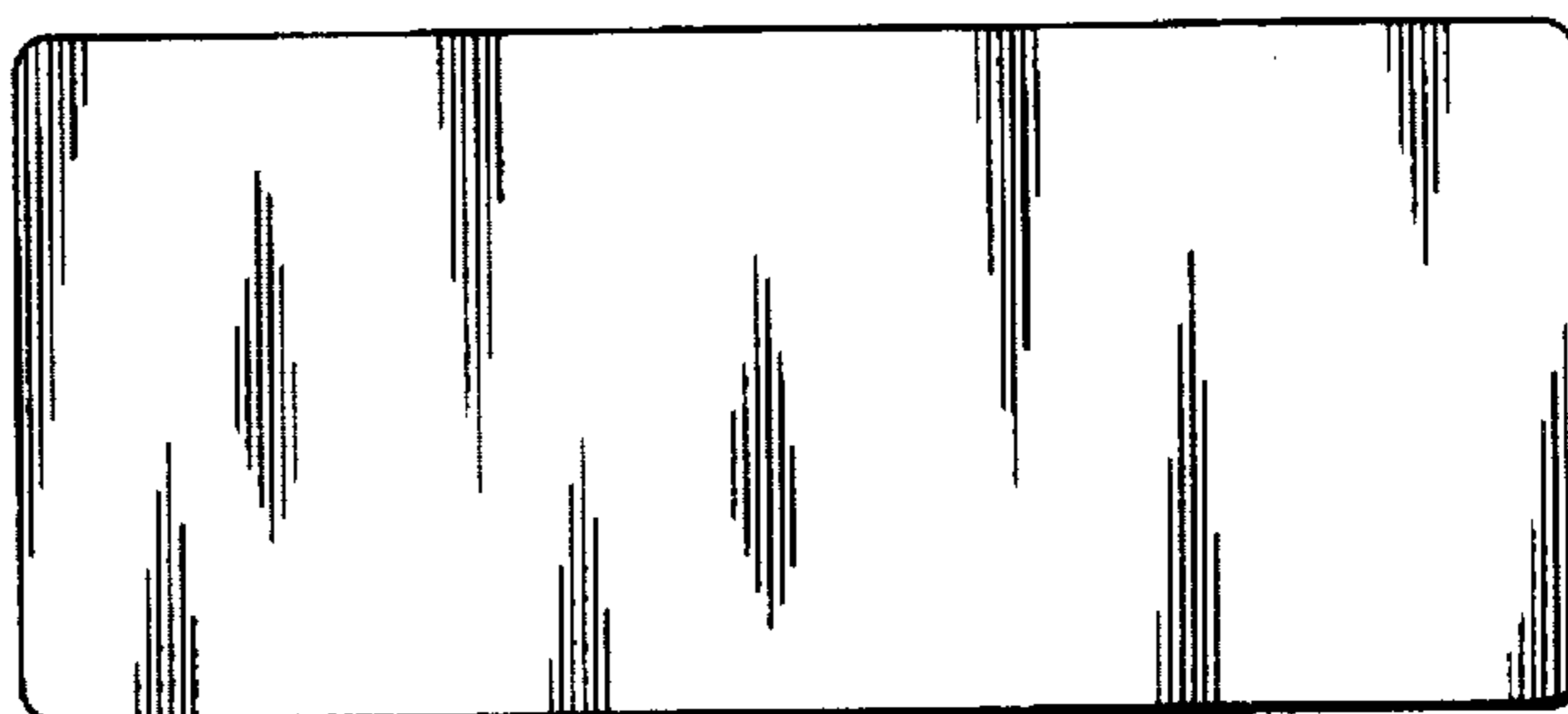


Fig. 7