



US00D391222S

# United States Patent [19]

[11] Patent Number: **Des. 391,222**

Lenox

[45] Date of Patent: **\*\*Feb. 24, 1998**

## [54] BICYCLE ACCESSORY HOLDER FOR MOUNTING ON A BICYCLE FRAME

[76] Inventor: **Bruce E. Lenox**, P.O. Box 32703, Long Beach, Calif. 90832

[\*\*] Term: **14 Years**

[21] Appl. No.: **41,224**

[22] Filed: **Jul. 10, 1995**

[51] LOC (6) Cl. .... **12-16**

[52] U.S. Cl. .... **D12/411**

[58] Field of Search ..... **D12/411; D3/229; D7/620; 224/30 A, 30 R, 32 A, 32 R, 35, 39; 248/311.2**

### [56] References Cited

#### U.S. PATENT DOCUMENTS

D. 332,240	1/1993	Schanger et al. ....	D12/411
D. 347,941	6/1994	Minx .....	D12/411
D. 348,641	7/1994	Nushi .....	D12/411
4,830,240	5/1989	Tackles et al. ....	224/32 R
5,425,484	6/1995	Kawand et al. ....	224/32 R

### OTHER PUBLICATIONS

Bike Nashbar, Spring 1994, p. 61, The Specialized Comp Cage.

*Primary Examiner*—Melody N. Brown  
*Attorney, Agent, or Firm*—Christopher John Rudy

### [57] CLAIM

The ornamental design for a bicycle accessory holder for mounting on a bicycle frame, as shown and described.

### DESCRIPTION

FIG. 1 is a top plan view of a bicycle accessory holder for mounting on a bicycle frame showing my new design; FIG. 2 is a bottom plan view thereof; FIG. 3 is a right side elevational view thereof, the left side being a mirror image of that shown; FIG. 4 is a rear end elevational view thereof; FIG. 5 is a front end elevational view thereof; and, FIG. 6 is a perspective view thereof.

**1 Claim, 3 Drawing Sheets**

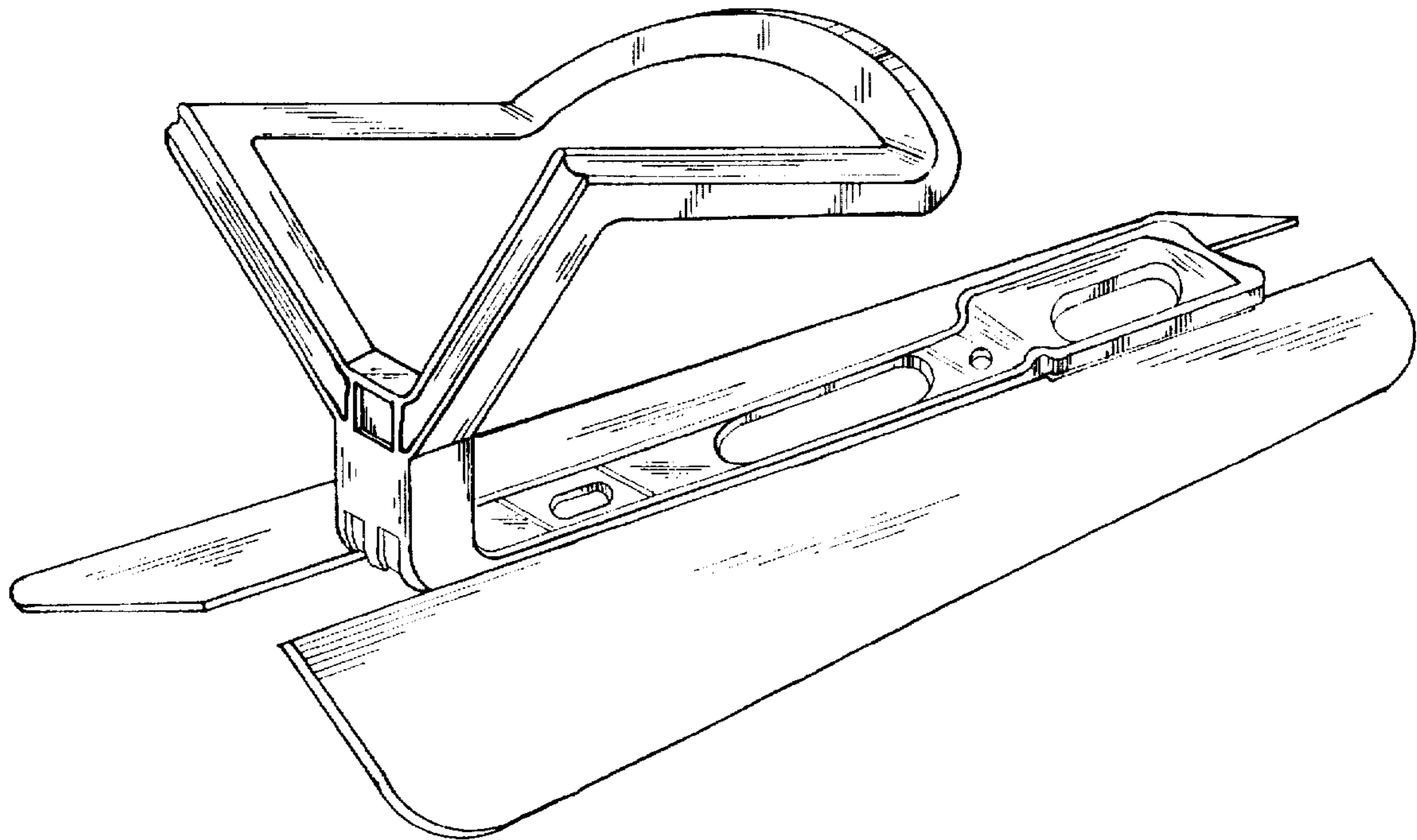


FIG. 1

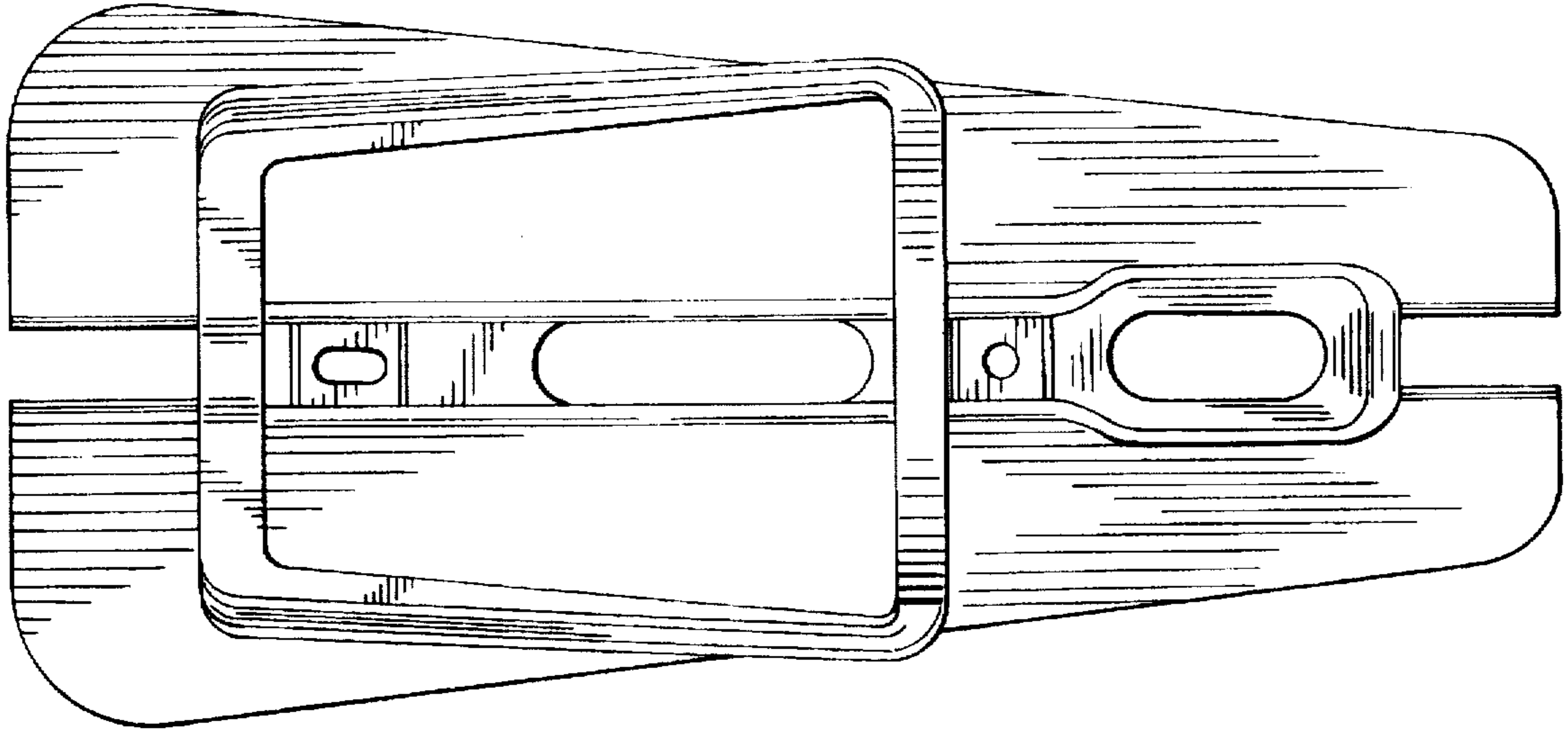
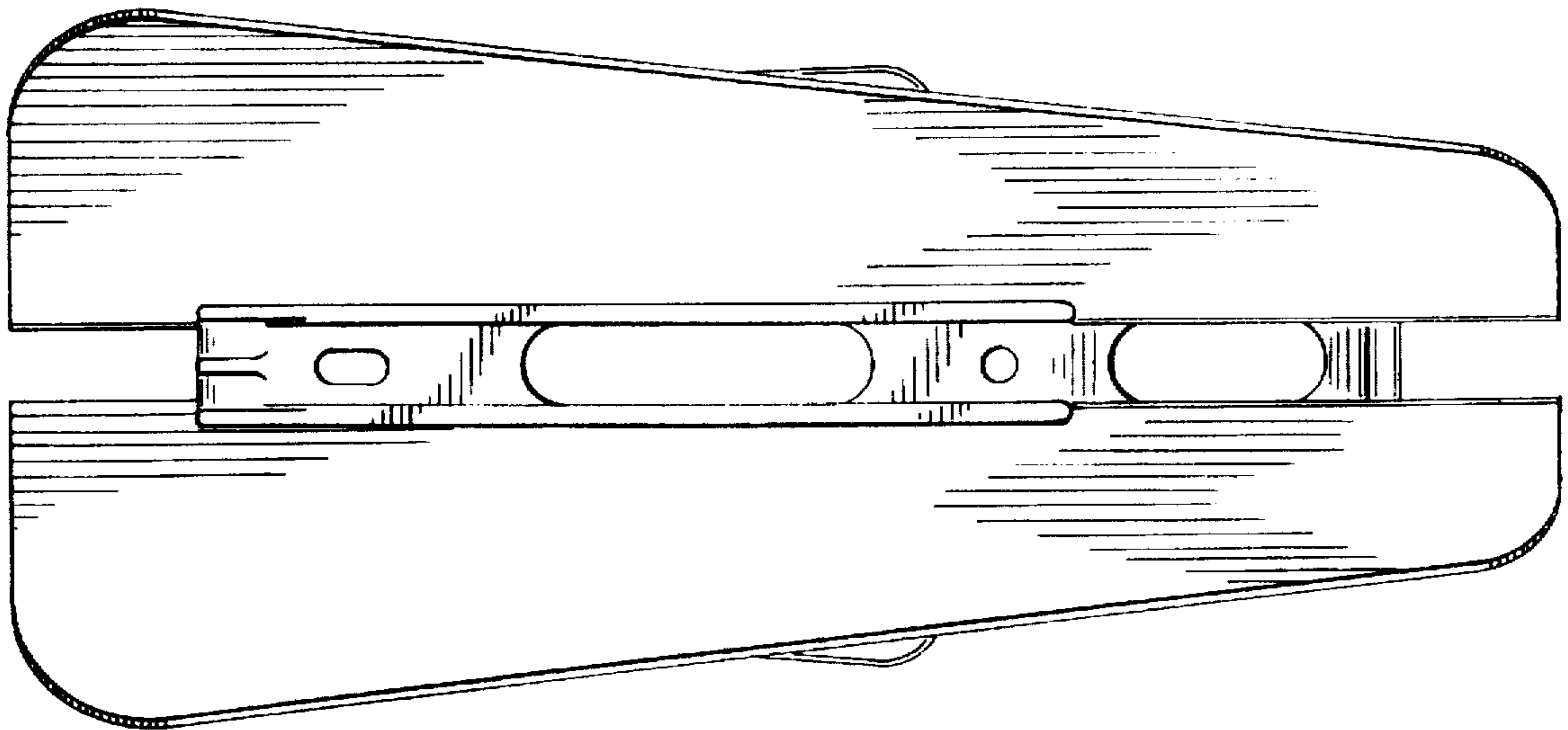


FIG. 2



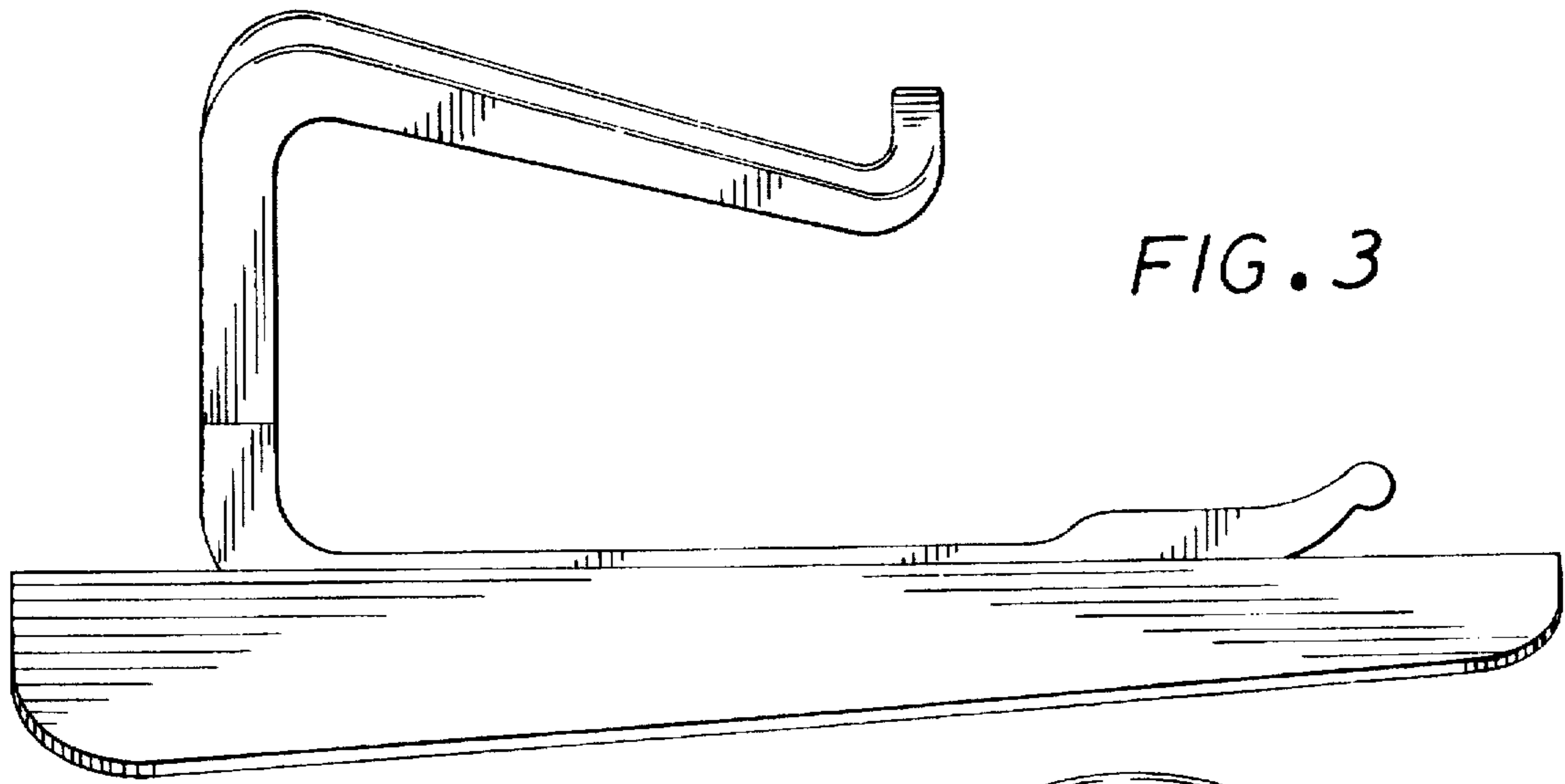


FIG. 3

FIG. 4

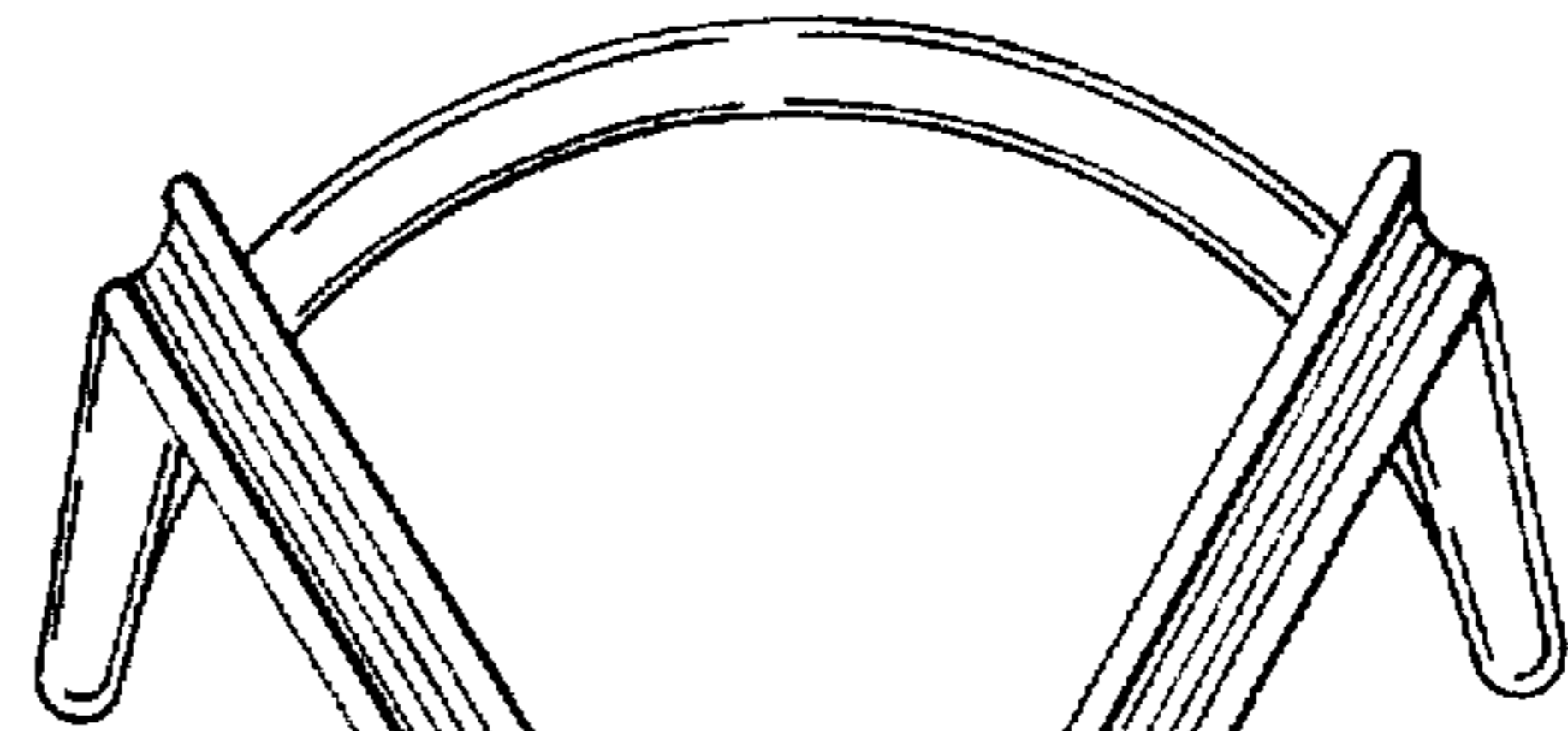


FIG. 5

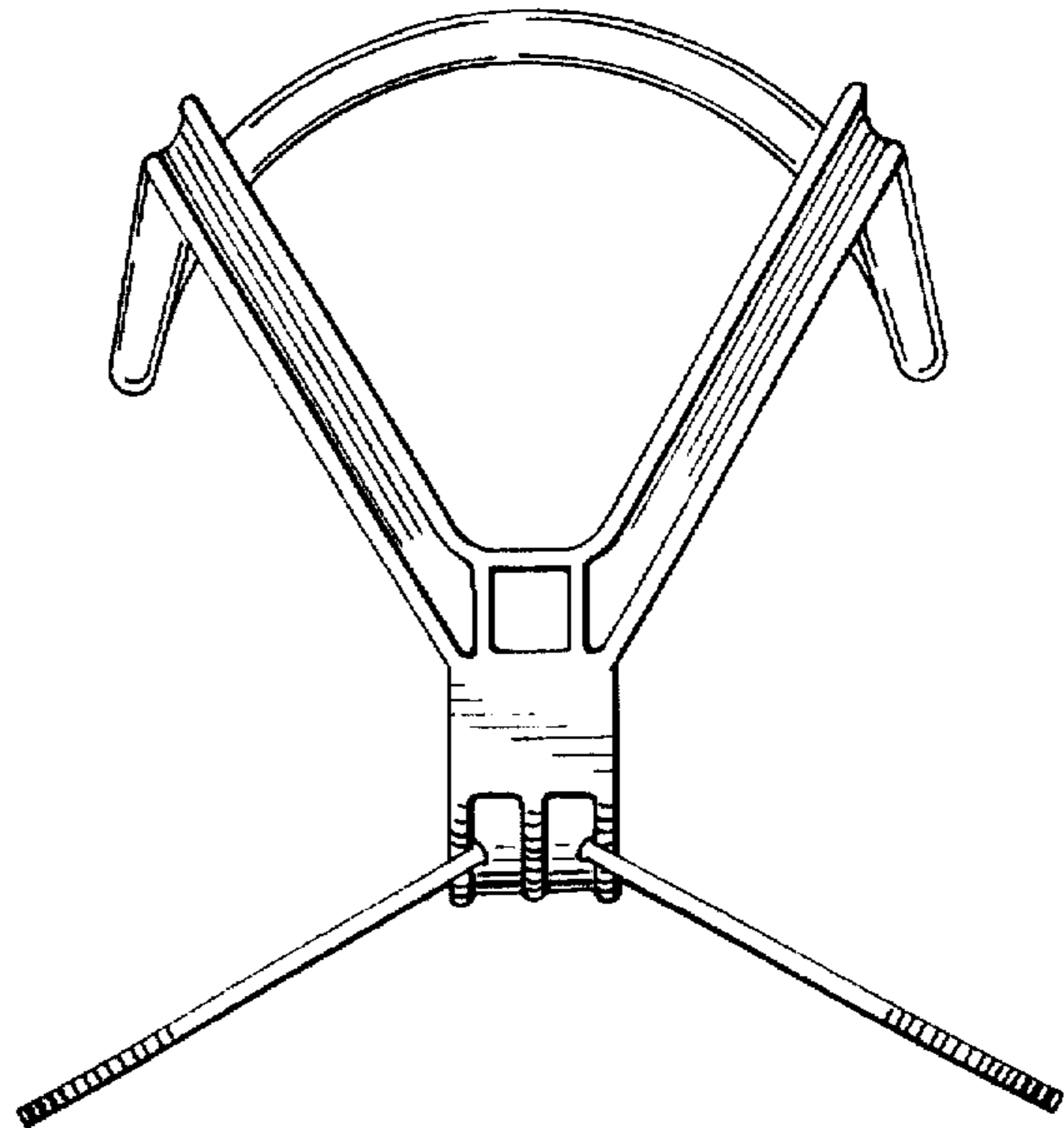
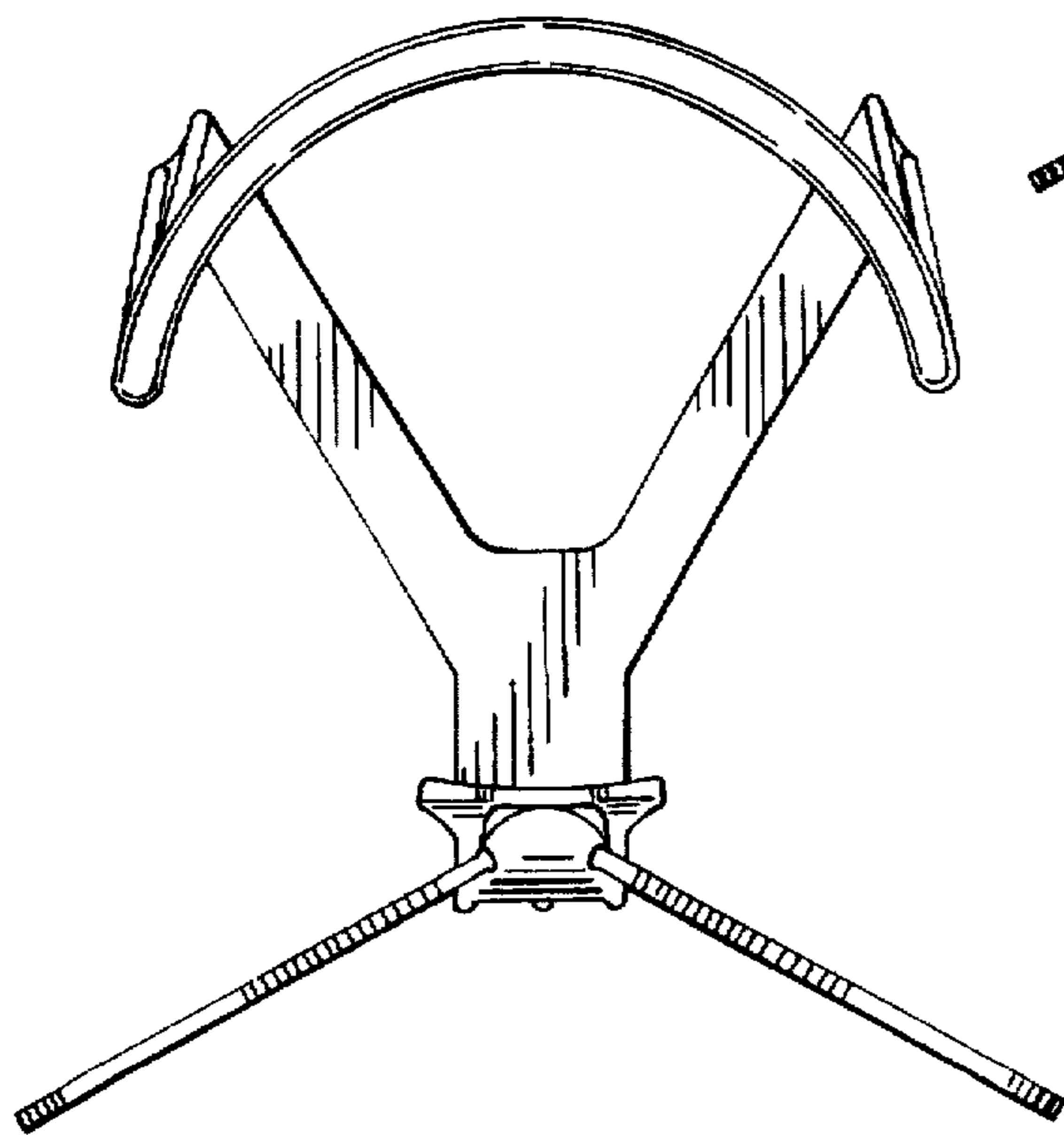


FIG. 6

