



US00D391220S

United States Patent [19]

Welter

[11] Patent Number: Des. 391,220

[45] Date of Patent: **Feb. 24, 1998

[54] CARGO CARRIER

[76] Inventor: Wallace R. Welter, 3128 Wembley La., NW., Rochester, Minn. 55901

[**] Term: 14 Years

[21] Appl. No.: 58,122

[22] Filed: Aug. 8, 1996

[51] LOC (6) Cl. 12-16

[52] U.S. Cl. D12/406

[58] Field of Search D12/400, 406, D12/420; 224/482, 539, 543, 545-546, 555-556, 560-561; D8/354, 380, 367, 355, 373, 363; 248/301, 215, 690-692

[56] References Cited

U.S. PATENT DOCUMENTS

D. 275,527	9/1984	Gee	D8/367	X
D. 317,742	6/1991	Miller	D12/406	X
D. 340,216	10/1993	Moore	D12/406	X
2,116,443	5/1938	McMillen	224/560	
2,302,300	11/1942	Davies	224/556	
4,007,864	2/1977	Hreha	224/556	
4,375,268	3/1983	Speck	224/556	

4,596,348	6/1986	Stamp	224/555	X
4,889,268	12/1989	Shubeck	224/545	X
4,944,434	7/1990	Hamilton	224/482	X
5,029,785	7/1991	Besong, Jr.	248/301	X
5,388,738	2/1995	Russell	224/482	X
5,503,451	4/1996	Thomas	224/482	X

Primary Examiner—James Gandy
Assistant Examiner—Stacia Sinuik
Attorney, Agent, or Firm—Locke Purnell Rain Harrell

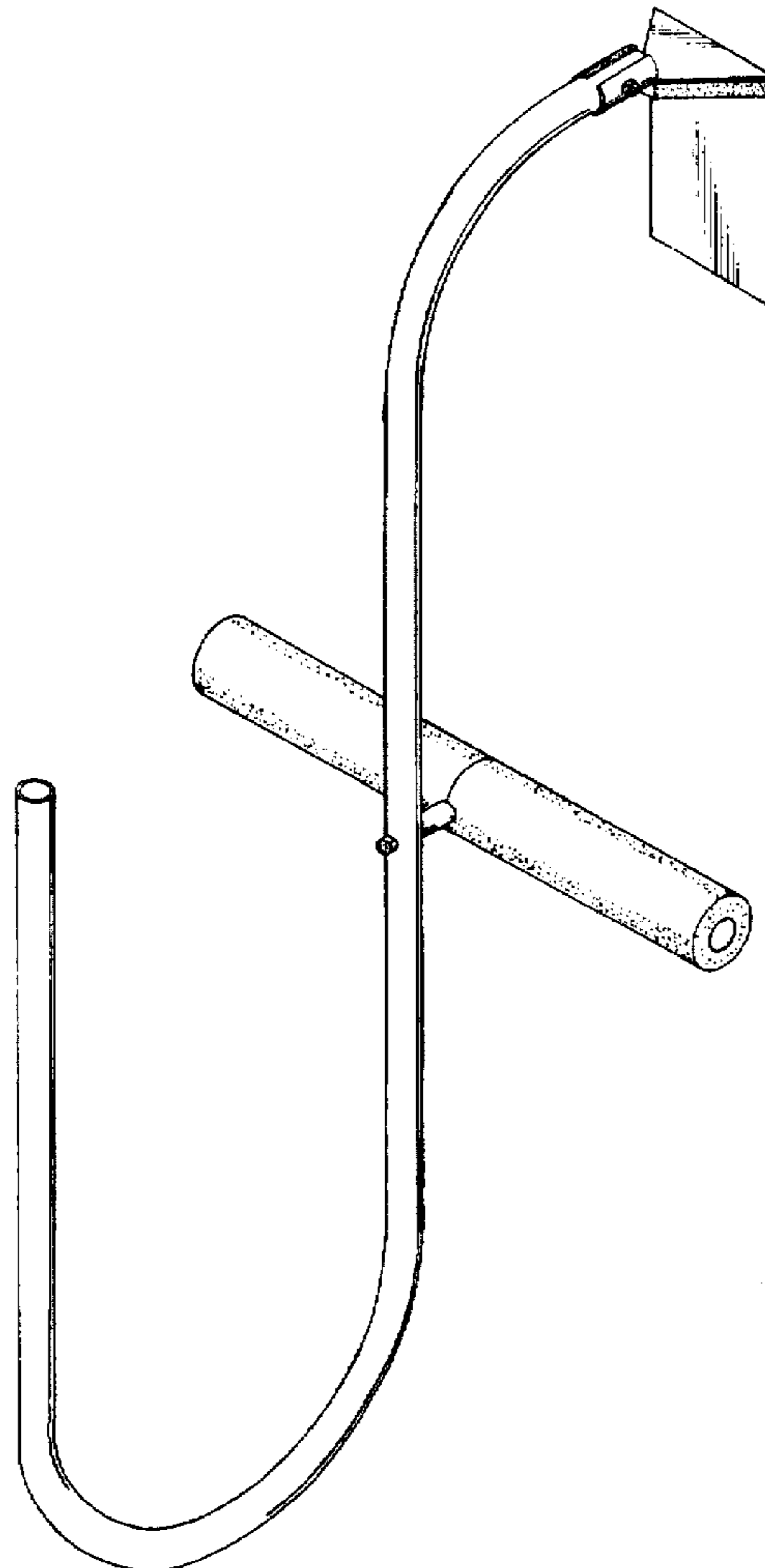
[57] CLAIM

The ornamental design for cargo carrier, as shown and described.

DESCRIPTION

FIG. 1 is an enlarged perspective view of a cargo carrier showing my new design;
FIG. 2 is a rear elevational view of a cargo carrier;
FIG. 3 is a side elevational view thereof, the opposite side being a mirror image of the view of FIG. 3;
FIG. 4 is a front elevational view thereof;
FIG. 5 is a top plan view thereof; and,
FIG. 6 is a bottom plan view of my cargo carrier.

1 Claim, 3 Drawing Sheets



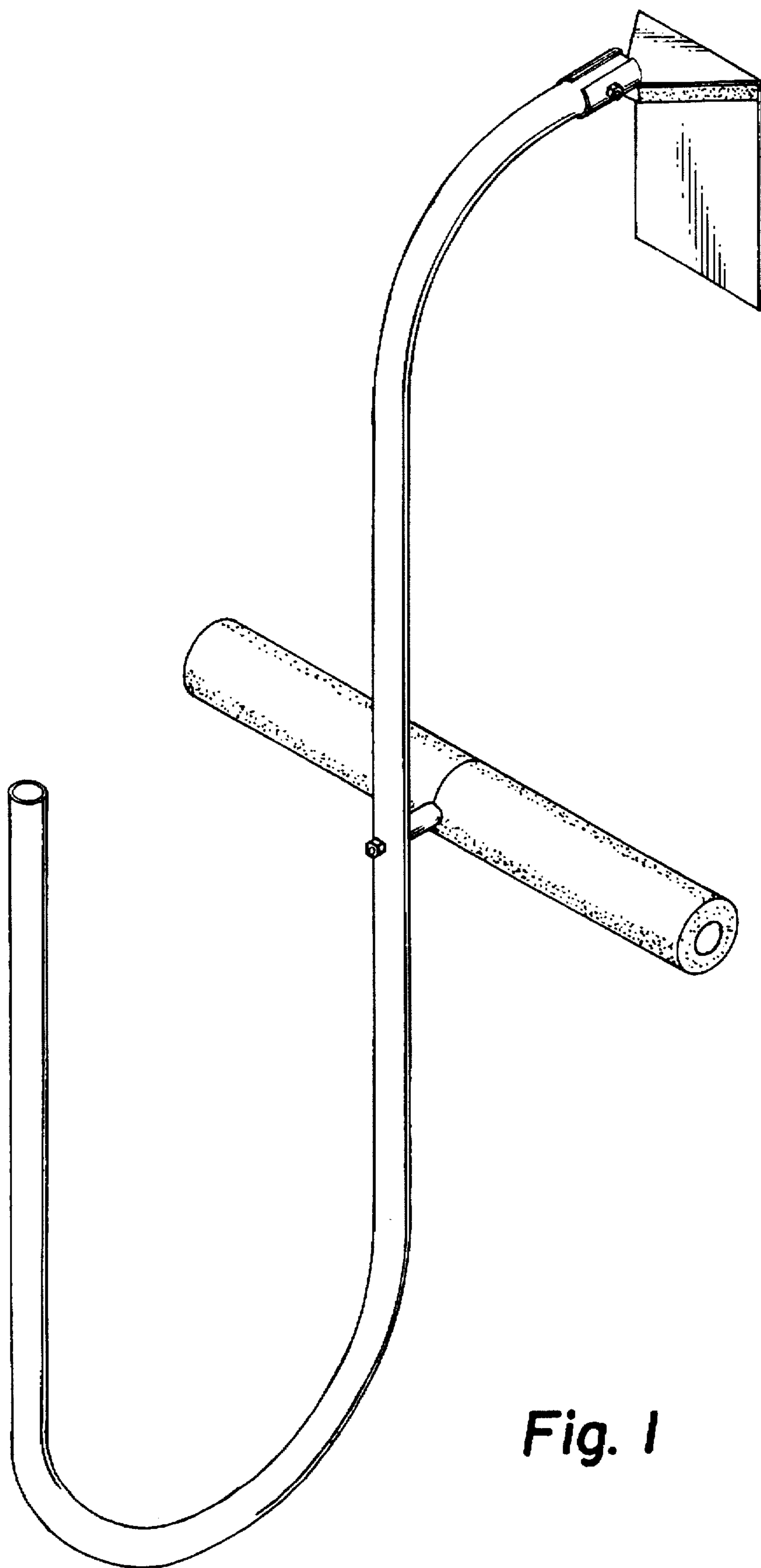


Fig. 1

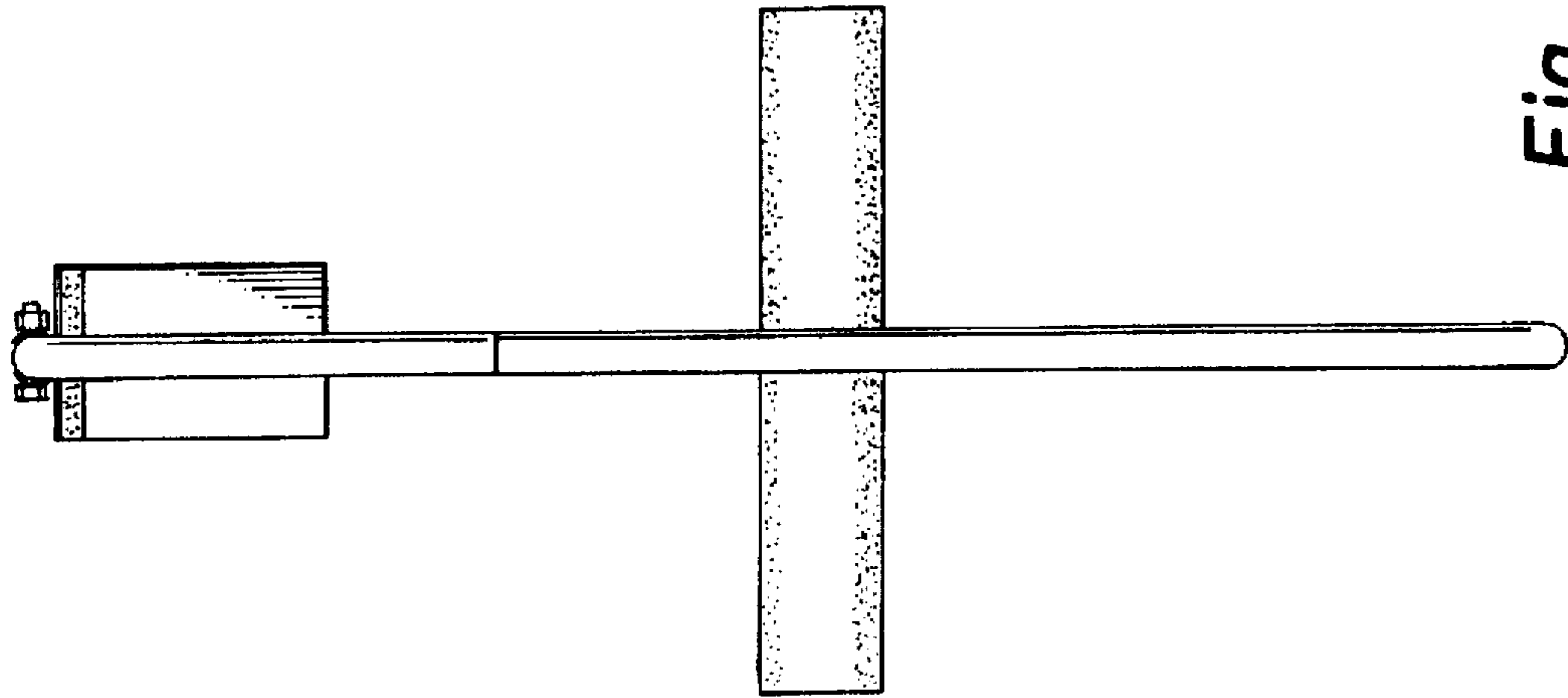


Fig. 4

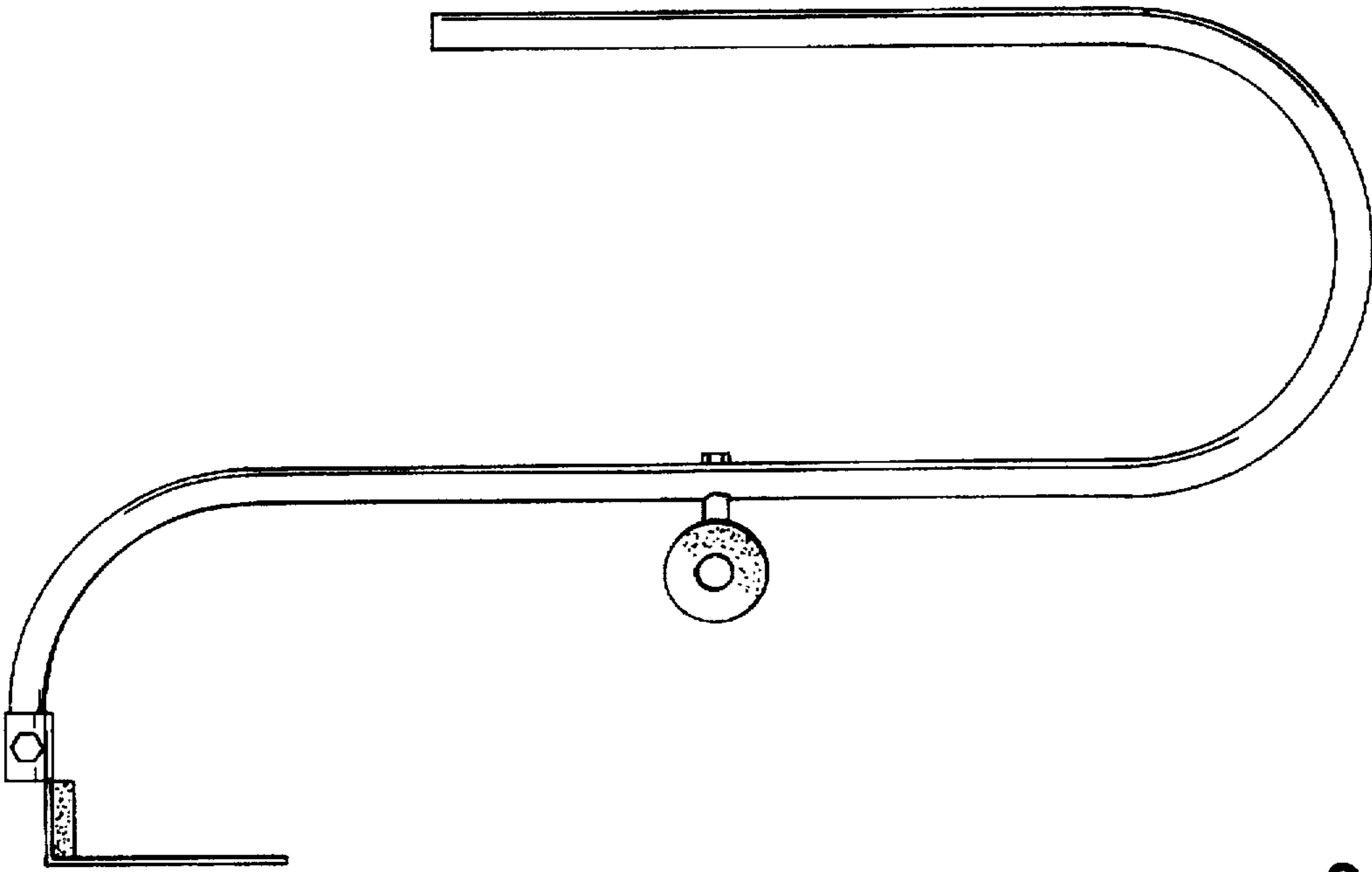


Fig. 3

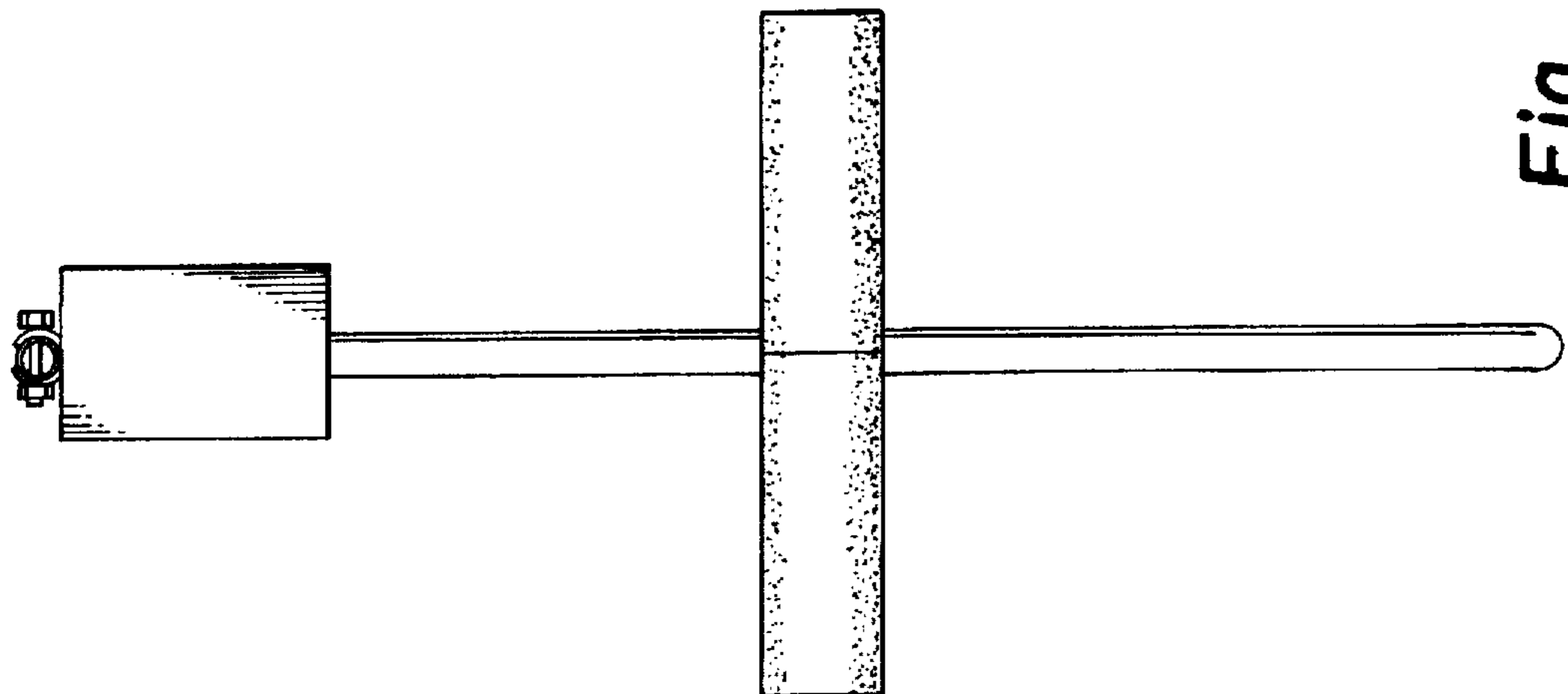


Fig. 2

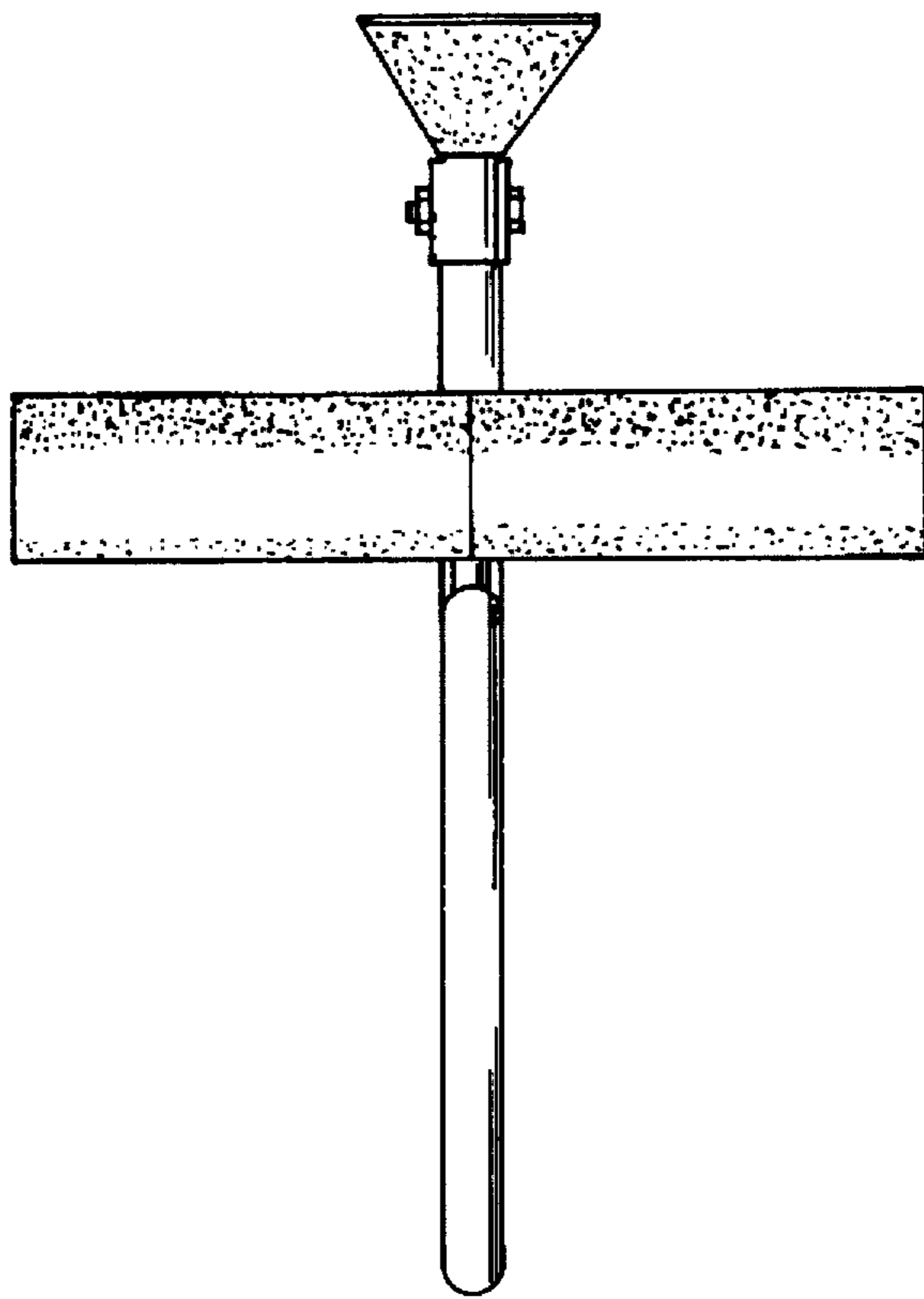


Fig. 6

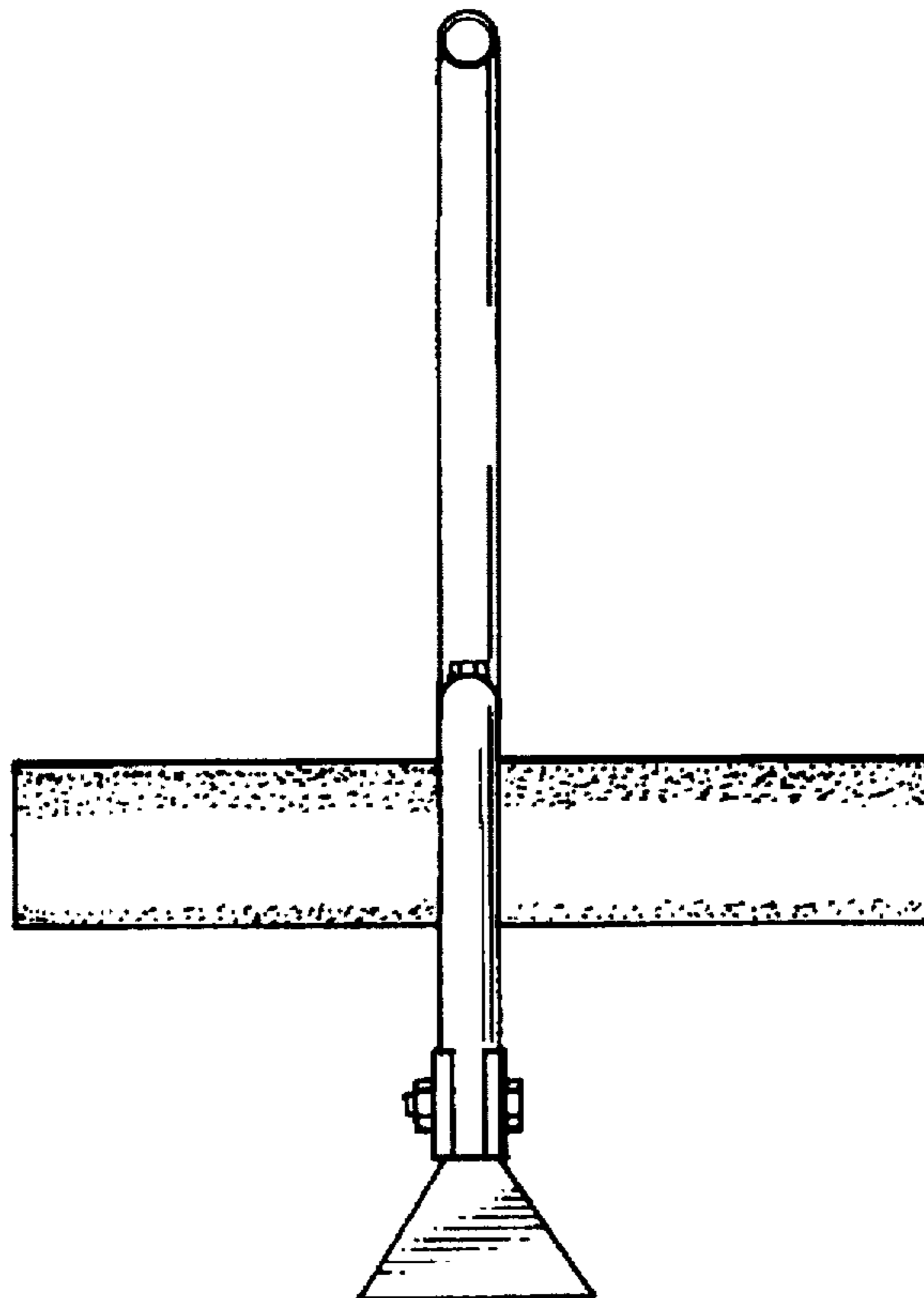


Fig. 5