



US00D391216S

United States Patent [19]

Bollmann et al.

[11] Patent Number: Des. 391,216

[45] Date of Patent: **Feb. 24, 1998

[54] **FRONT FACE OF A VEHICLE WHEEL**

[75] Inventors: **Juergen Bollmann, Schoemberg; Michael Fink, Stuttgart, both of Germany**

[73] Assignee: **Mercedes-Benz AG, Stuttgart, Germany**

[**] Term: **14 Years**

[21] Appl. No.: **58,349**

[22] Filed: **Aug. 12, 1996**

[30] **Foreign Application Priority Data**

Feb. 10, 1996 [DE] Germany M 96 01 257.9

[51] LOC (6) Cl. **12-16**

[52] U.S. Cl. **D12/209**

[58] Field of Search D12/204-213;
301/64.1, 65, 37.1

[56] **References Cited**

U.S. PATENT DOCUMENTS

- D. 197,841 3/1964 Deaver D12/209
- D. 206,709 1/1967 Reid D12/209
- D. 236,975 9/1975 May D12/205
- D. 302,264 7/1989 Soederberg D12/209
- D. 351,581 10/1994 Chung D12/209

- D. 360,866 8/1995 Echazabal et al. D12/209
- D. 363,912 11/1995 Chung D12/209
- D. 375,285 11/1996 Honer D12/209
- D. 375,478 11/1996 Pfeiffer D12/209
- D. 376,572 12/1996 Pfeiffer D12/209

OTHER PUBLICATIONS

Custom Wheel & Tire Style Guide, p. 22, See "Replica 11", 1993.

Primary Examiner—James Gandy
Assistant Examiner—Stacia Sinuik
Attorney, Agent, or Firm—Evenson, McKeown, Edwards & Lenahan, P.L.L.C.

[57] **CLAIM**

The ornamental design for a front face of a vehicle wheel, as shown and described.

DESCRIPTION

FIG. 1 is a front view of a front face of a vehicle wheel according to our novel design; and, FIG. 2 is a perspective view of a front face of a vehicle wheel according to our novel design.

The broken lines in the drawing figures are for purposes of illustration only and form no part of the claimed design.

1 Claim, 2 Drawing Sheets

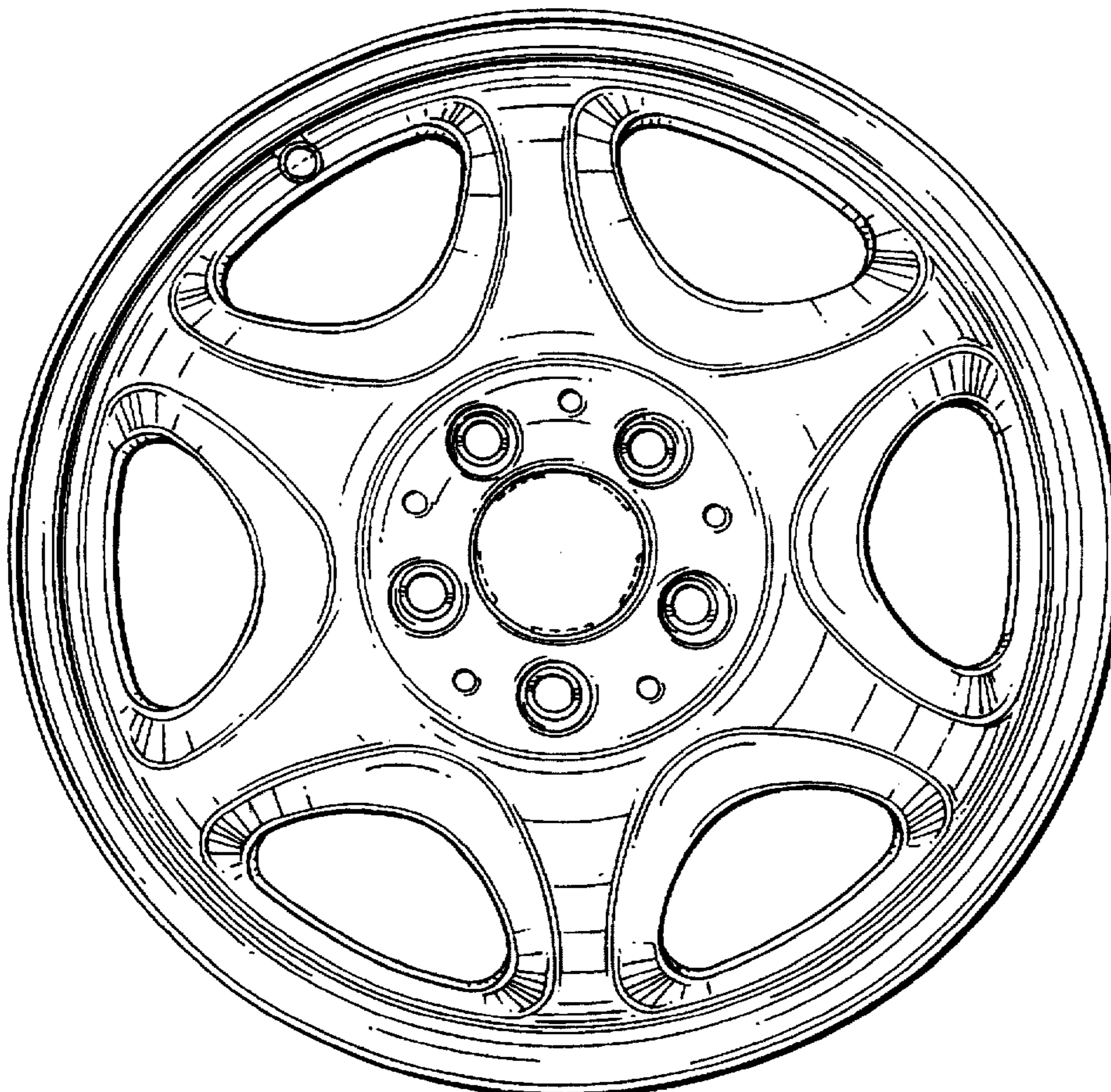




FIG. 1

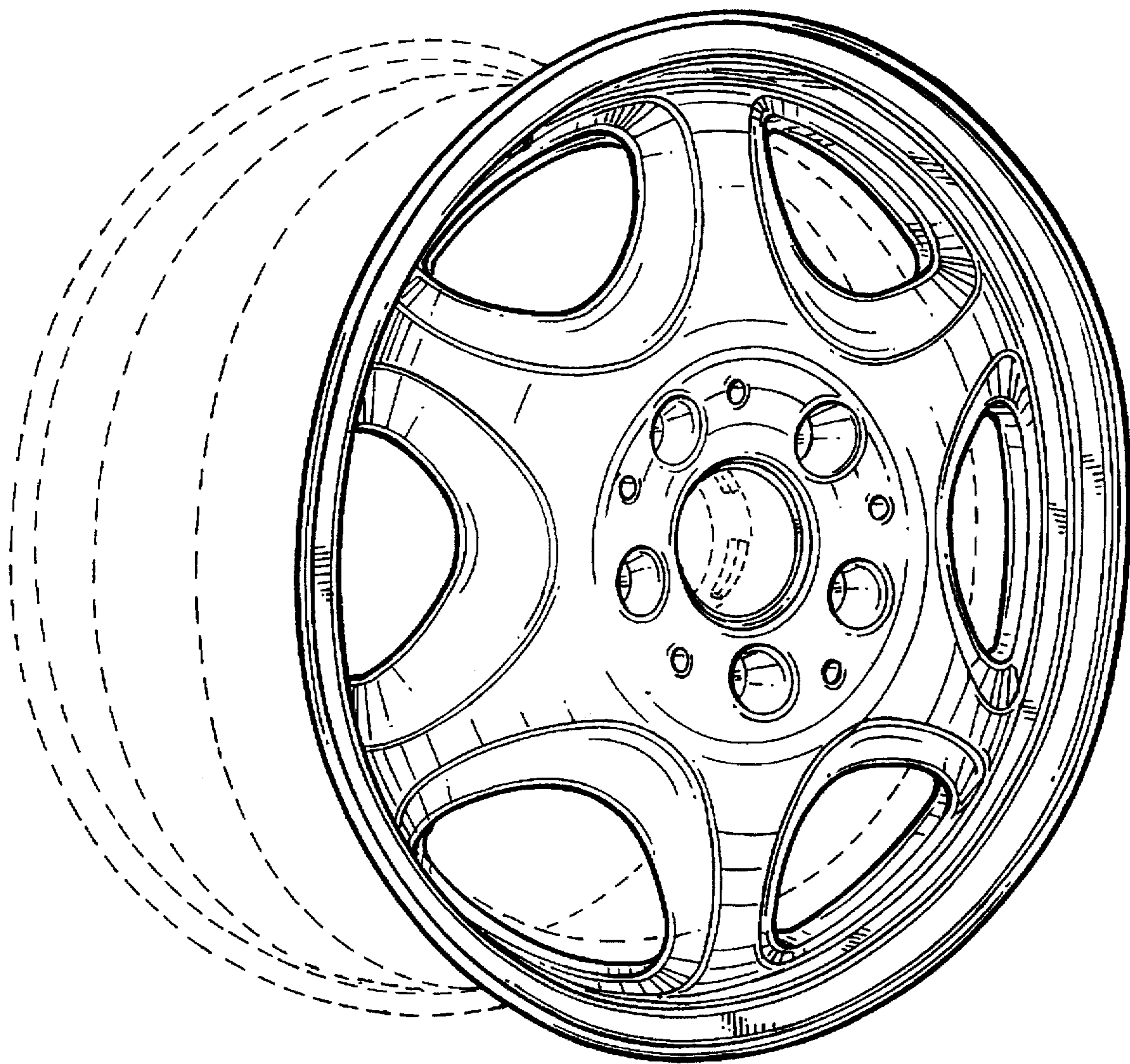


FIG. 2