



US00D391185S

United States Patent [19]
Tomizawa

[11] **Patent Number: Des. 391,185**
[45] **Date of Patent: **Feb. 24, 1998**

[54] **FIRE DETECTOR**

D. 377,321 1/1997 Tomizawa D10/106
5,425,582 6/1995 Asano et al. 374/208

[75] **Inventor: Toshikazu Tomizawa, Hachioji, Japan**

Primary Examiner—Marcus A. Jackson

[73] **Assignee: Hochiki Kabushiki Kaisha,
Shinagawa-ku, Japan**

Attorney, Agent, or Firm—Lackebach Siegel Marzullo
Aronson & Greenspan, P.C.

[**] **Term: 14 Years**

[57] **CLAIM**

[21] **Appl. No.: 68,254**

The ornamental design for a fire detector, as shown and
described.

[22] **Filed: Mar. 21, 1997**

DESCRIPTION

[51] **LOC (6) Cl. 10-05**

FIG. 1 is a perspective view of a fire detector showing my
new design;

[52] **U.S. Cl. D10/106**

FIG. 2 is a top plan view thereof;

[58] **Field of Search D10/104, 106,
D10/116, 121; 340/571, 572, 573, 628,
629, 630, 695**

FIG. 3 is a front elevational view thereof;

FIG. 4 is a right side elevational view thereof; the left side
view being the same;

[56] **References Cited**

FIG. 5 is a bottom plan view thereof; and,

FIG. 6 is a rear elevational view thereof.

U.S. PATENT DOCUMENTS

D. 286,514 11/1986 Spang D10/106

1 Claim, 3 Drawing Sheets

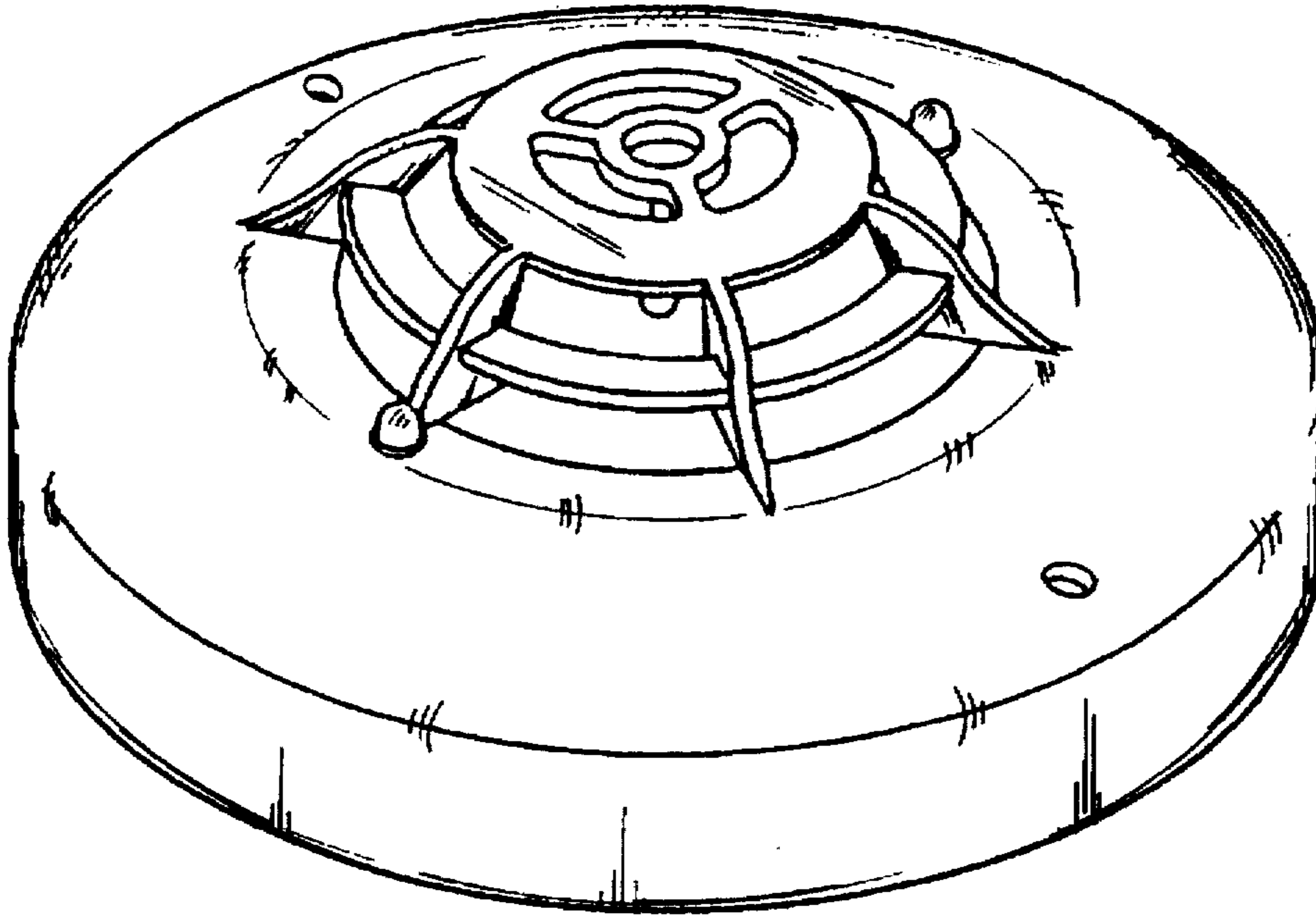


FIG.1

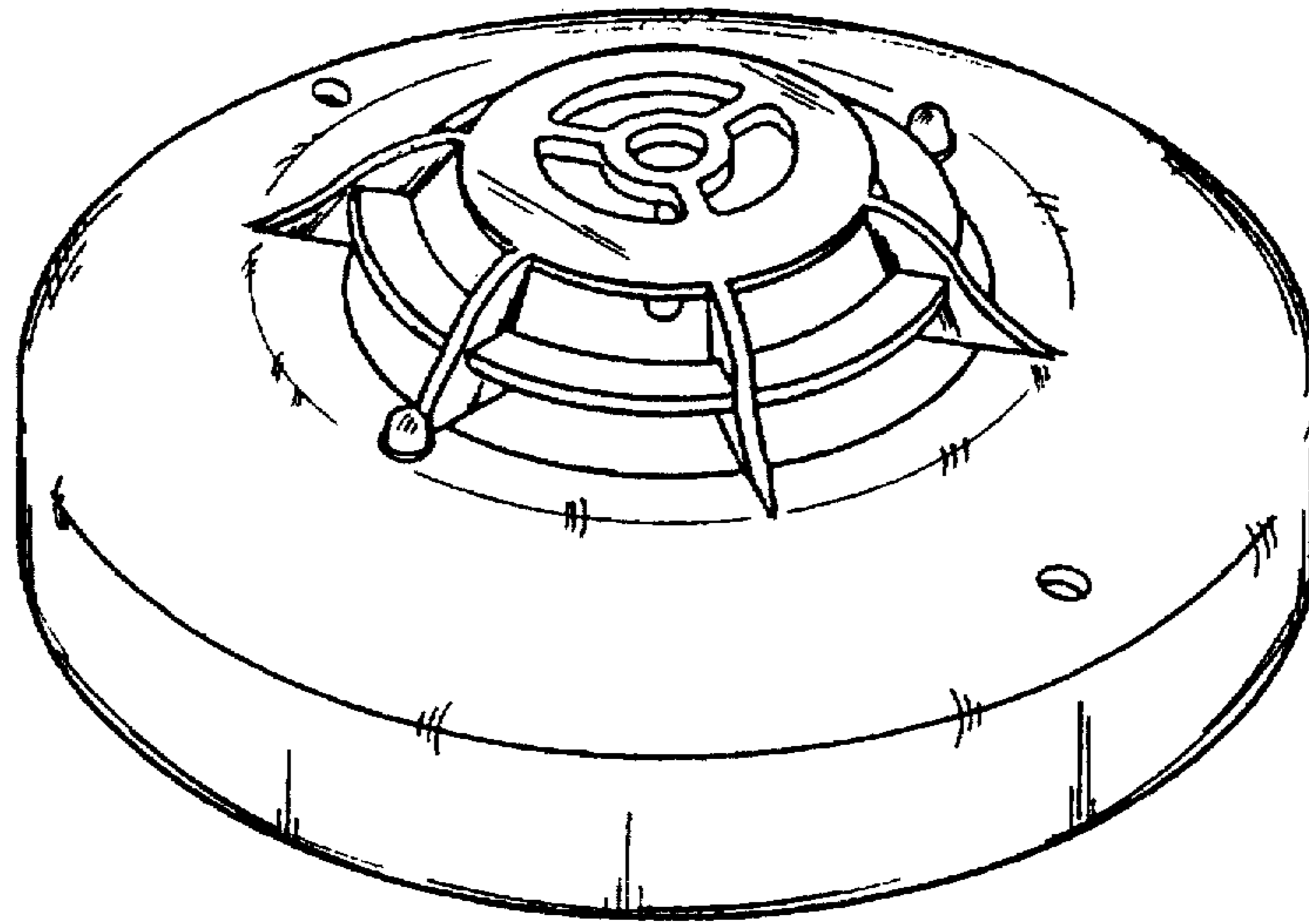


FIG.2

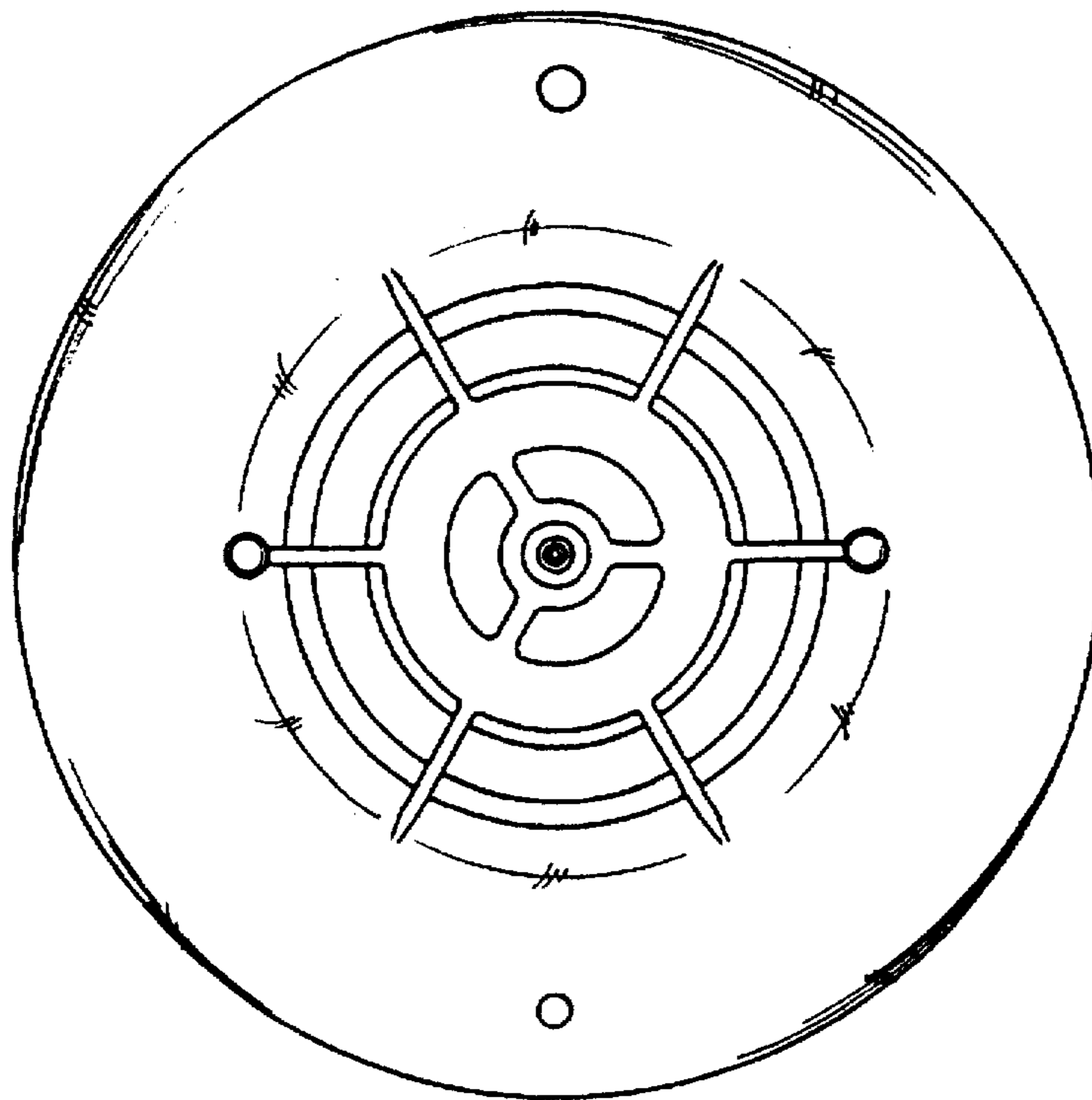


FIG.3

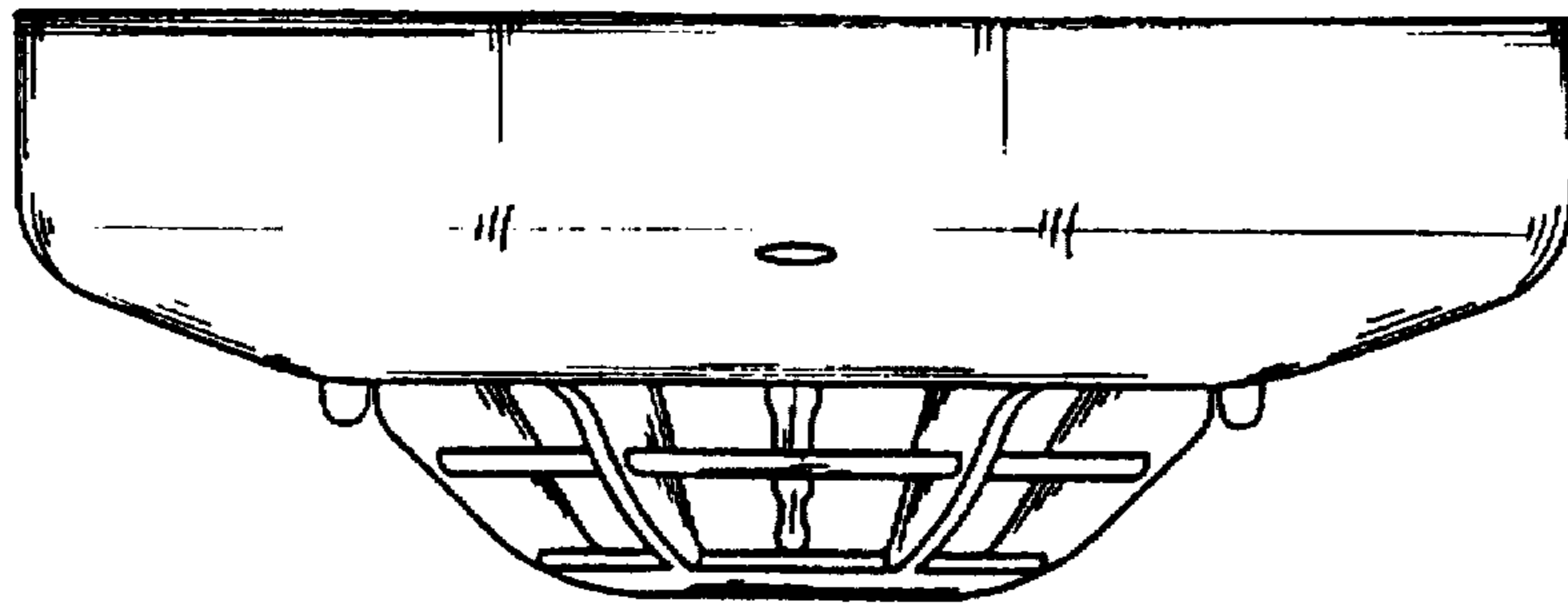


FIG.4

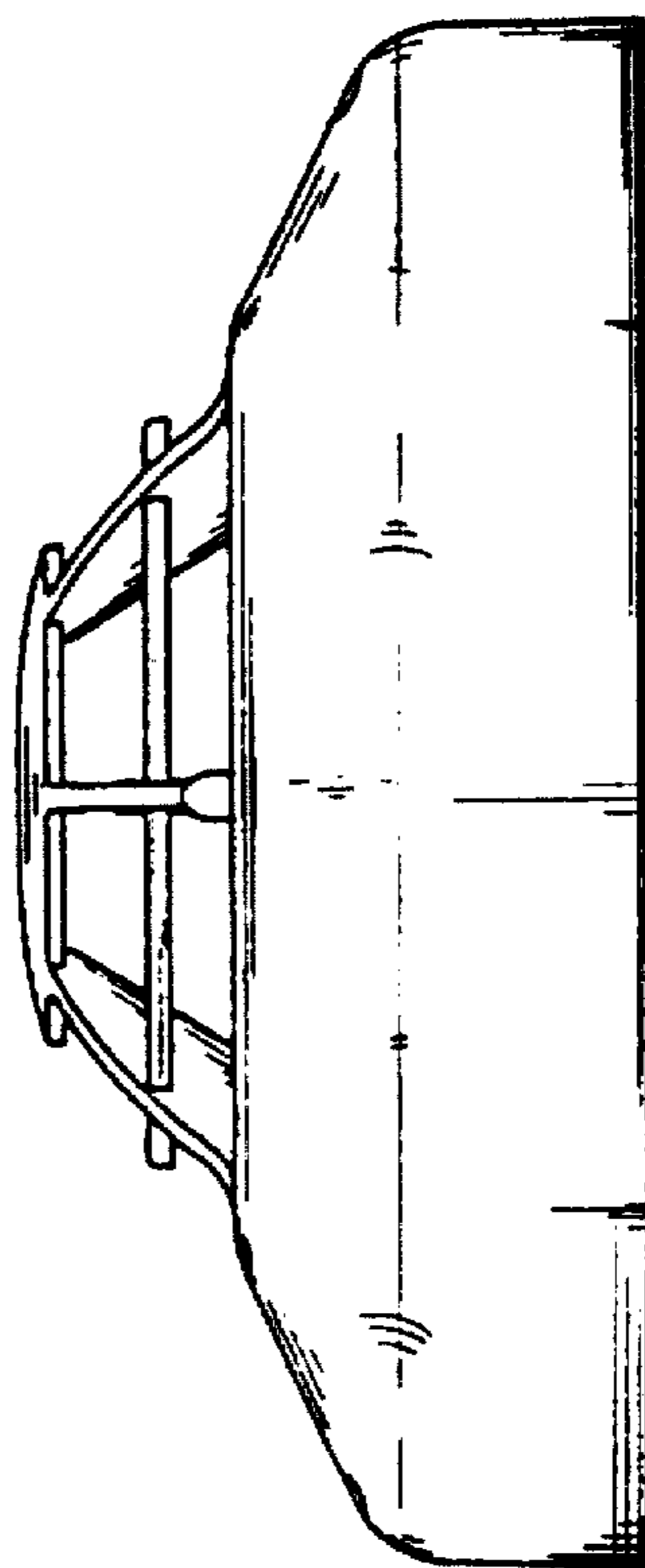


FIG.5

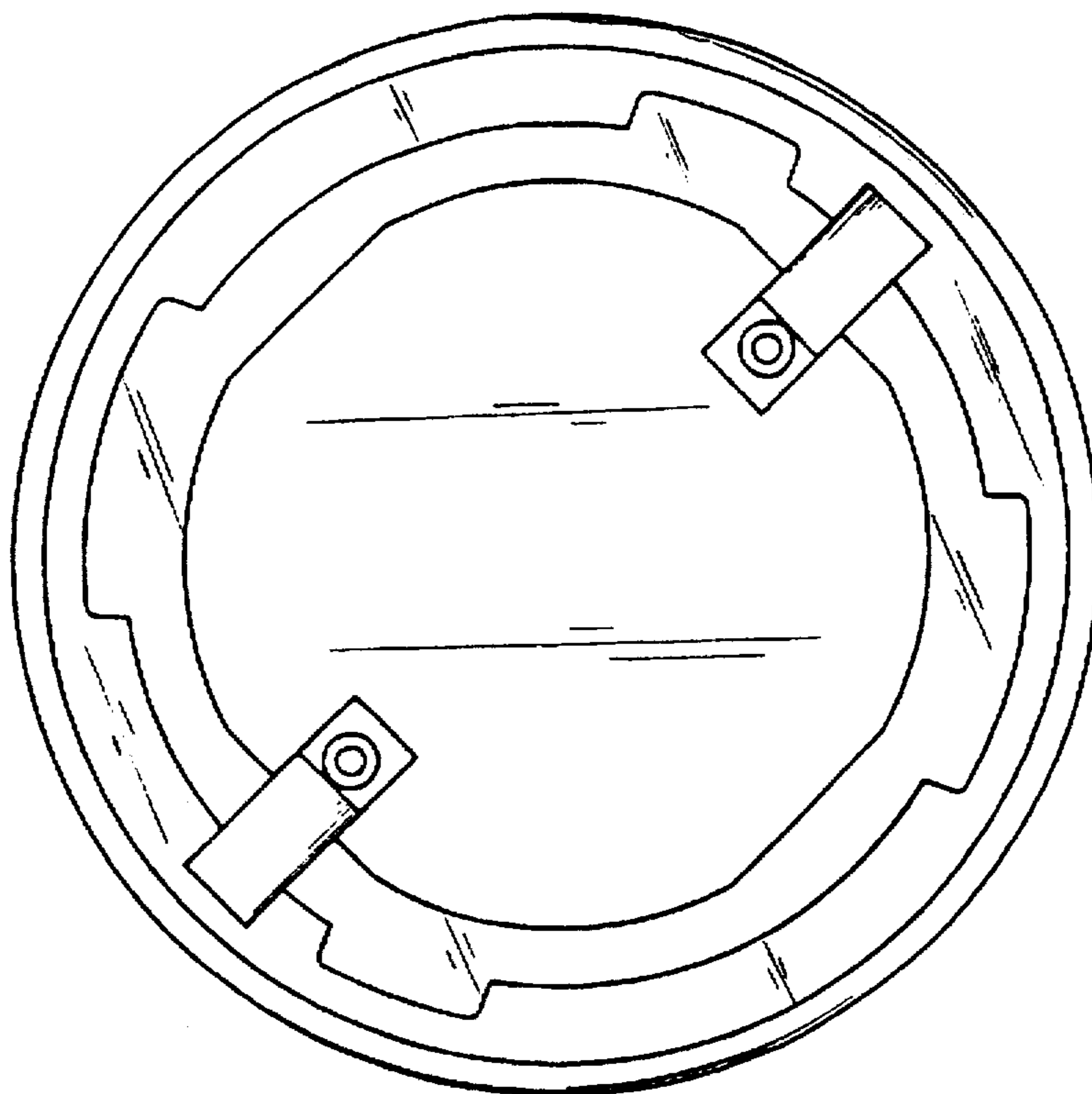


FIG.6

