



US00D391184S

United States Patent [19]

Kawabata

[11] Patent Number: **Des. 391,184**

[45] Date of Patent: ****Feb. 24, 1998**

[54] **SMOKE DETECTOR**

[75] Inventor: **Yoshimi Kawabata**, Sagamihara, Japan

[73] Assignee: **Hochiki Kabushiki Kaisha**, Tokyo, Japan

[**] Term: **14 Years**

[21] Appl. No.: **68,252**

[22] Filed: **Mar. 21, 1997**

[51] LOC (6) Cl. **10-05**

[52] U.S. Cl. **D10/106**

[58] Field of Search D10/104, 106,
D10/116, 121; 340/572, 573, 571, 628,
629, 630, 695

[56] **References Cited**

U.S. PATENT DOCUMENTS

D. 235,629 7/1975 Steele D10/106
D. 240,120 6/1976 Pasquarette D10/106

D. 241,824 10/1976 Mackay D10/106
D. 342,213 12/1993 Fellmann D10/106
D. 357,202 4/1995 Ozawa D10/106

Primary Examiner—Marcus A. Jackson
Attorney, Agent, or Firm—Lackebach Siegel Marzullo
Aronson Greenspan, PC

[57] **CLAIM**

The ornamental design for a smoke detector, as shown and described.

DESCRIPTION

FIG. 1 is a perspective view of a smoke detector showing my new design;
FIG. 2 is a top plan view thereof;
FIG. 3 is a front elevational view thereof;
FIG. 4 is a right side elevational view thereof; the left side view being the same;
FIG. 5 is a bottom plan view thereof; and,
FIG. 6 is a rear elevational view thereof.

1 Claim, 3 Drawing Sheets

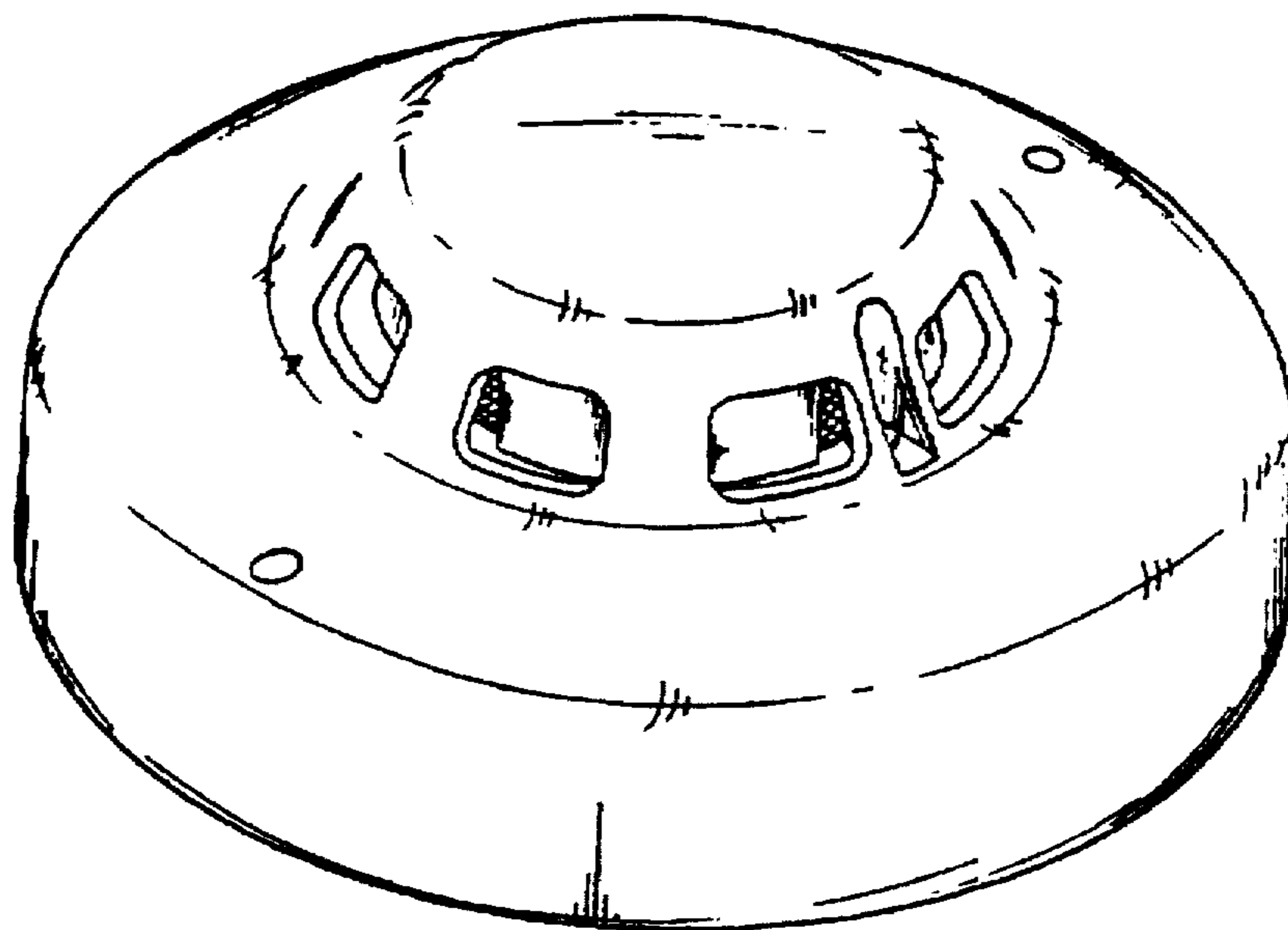


FIG.1

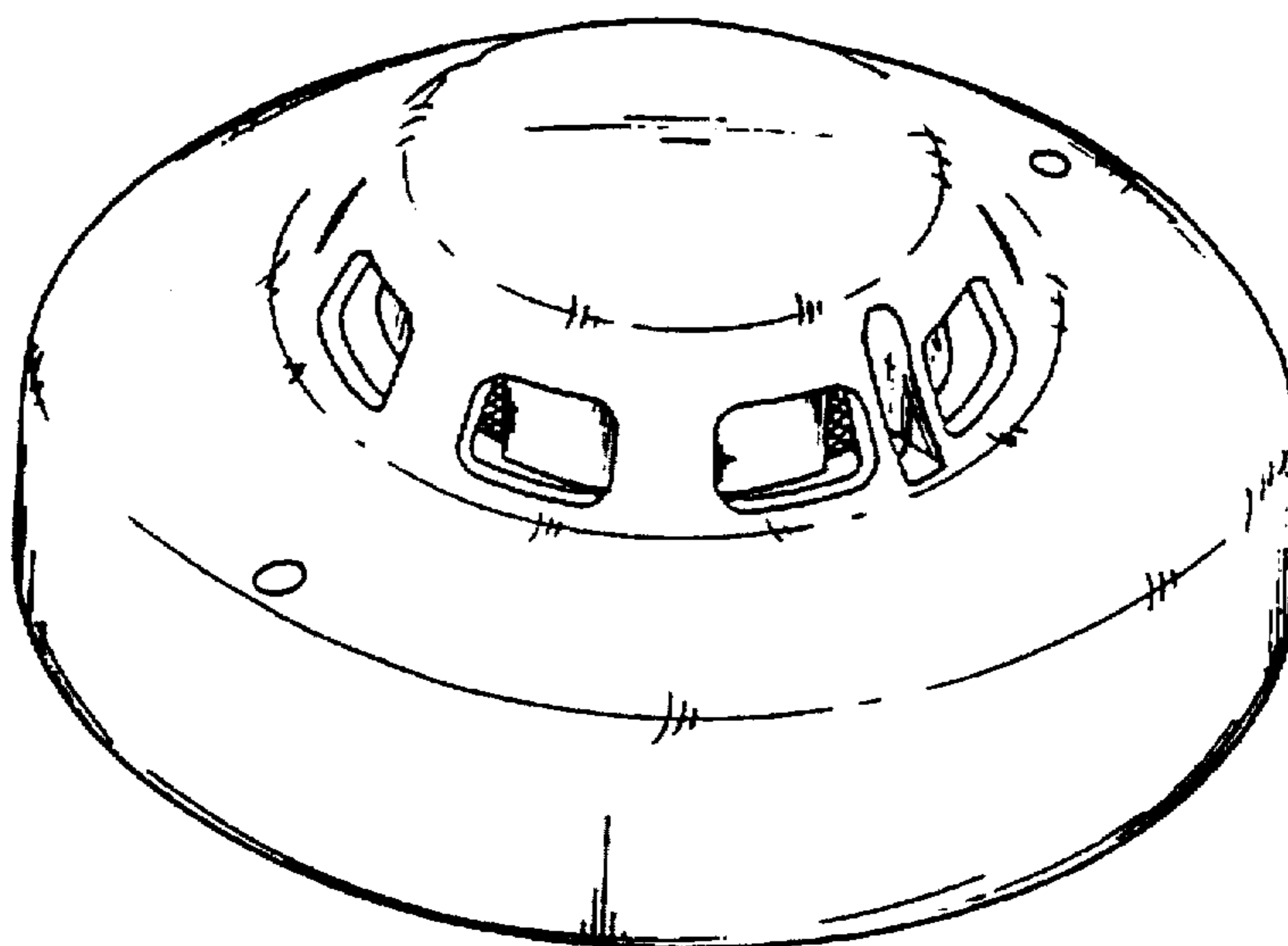


FIG.2

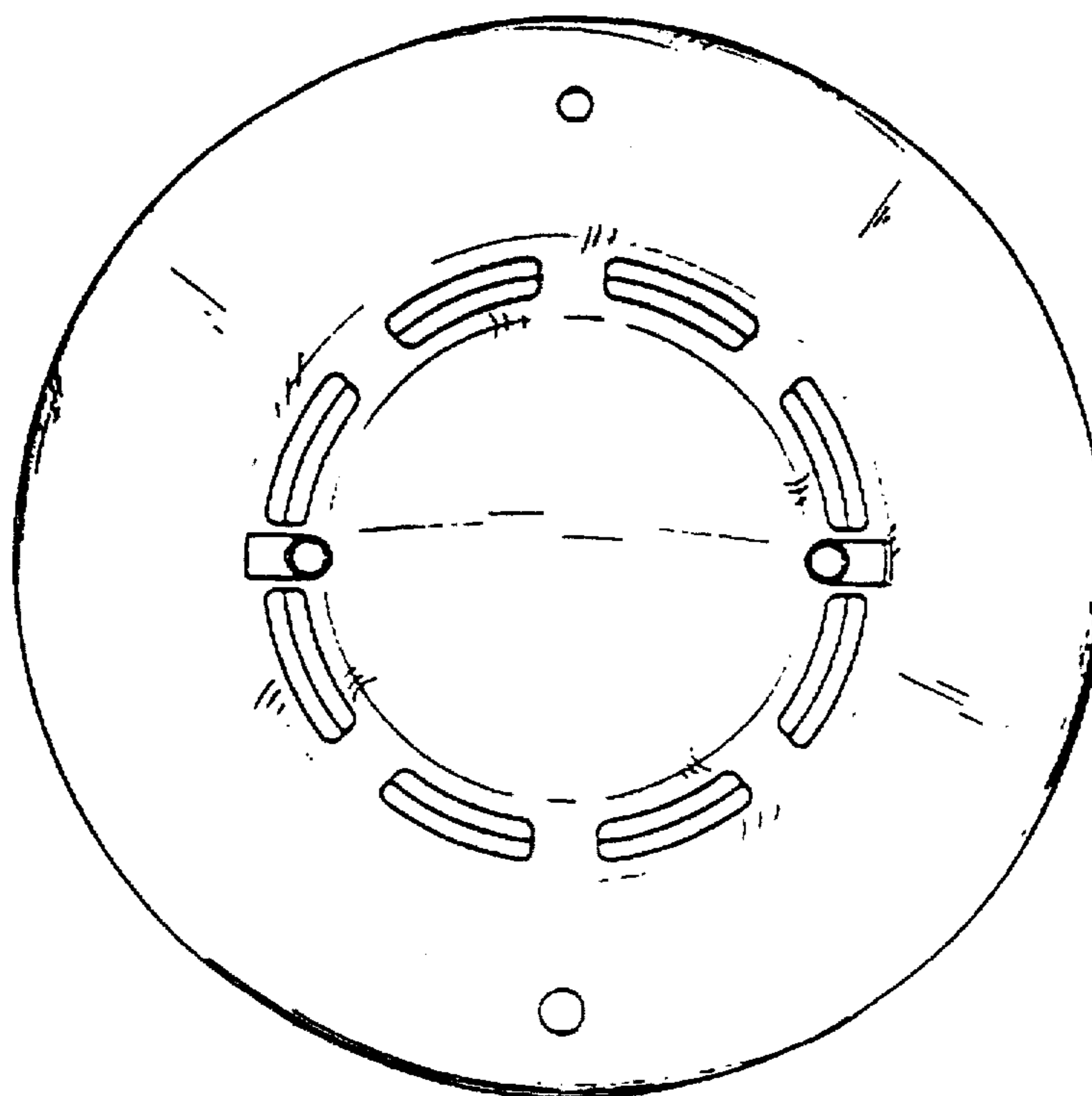


FIG.3

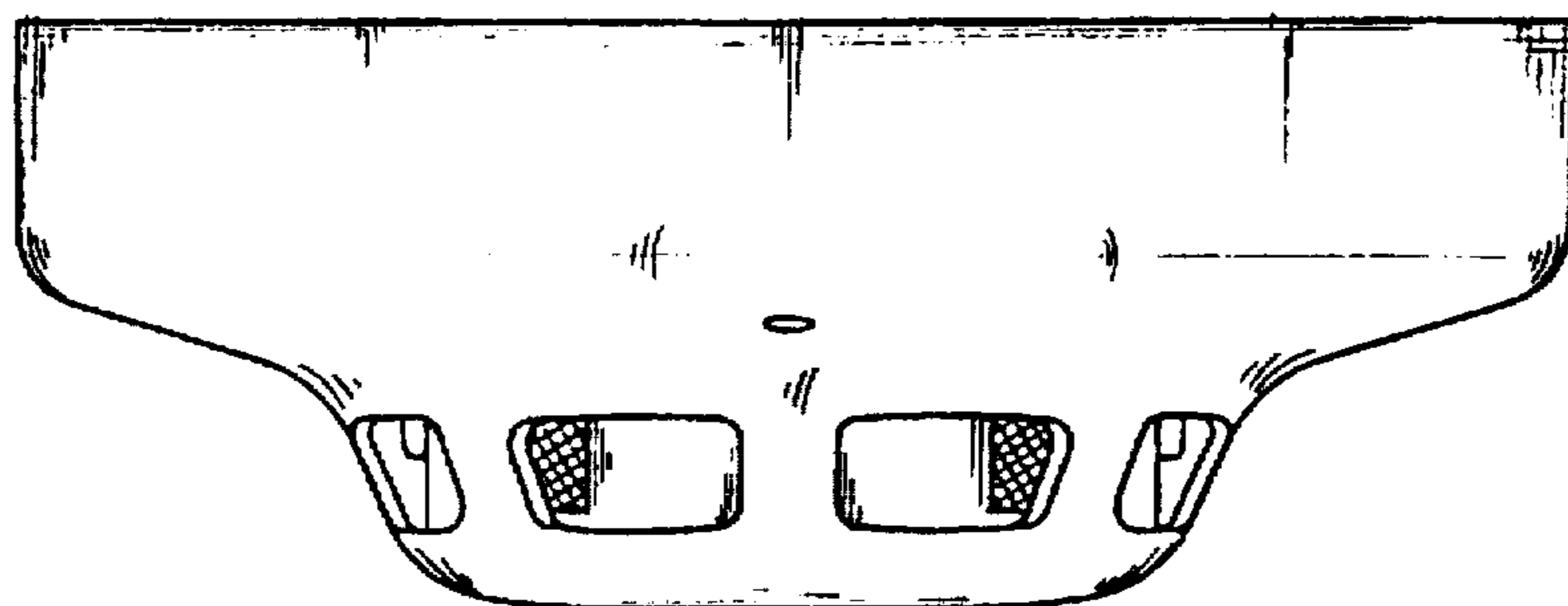


FIG.4

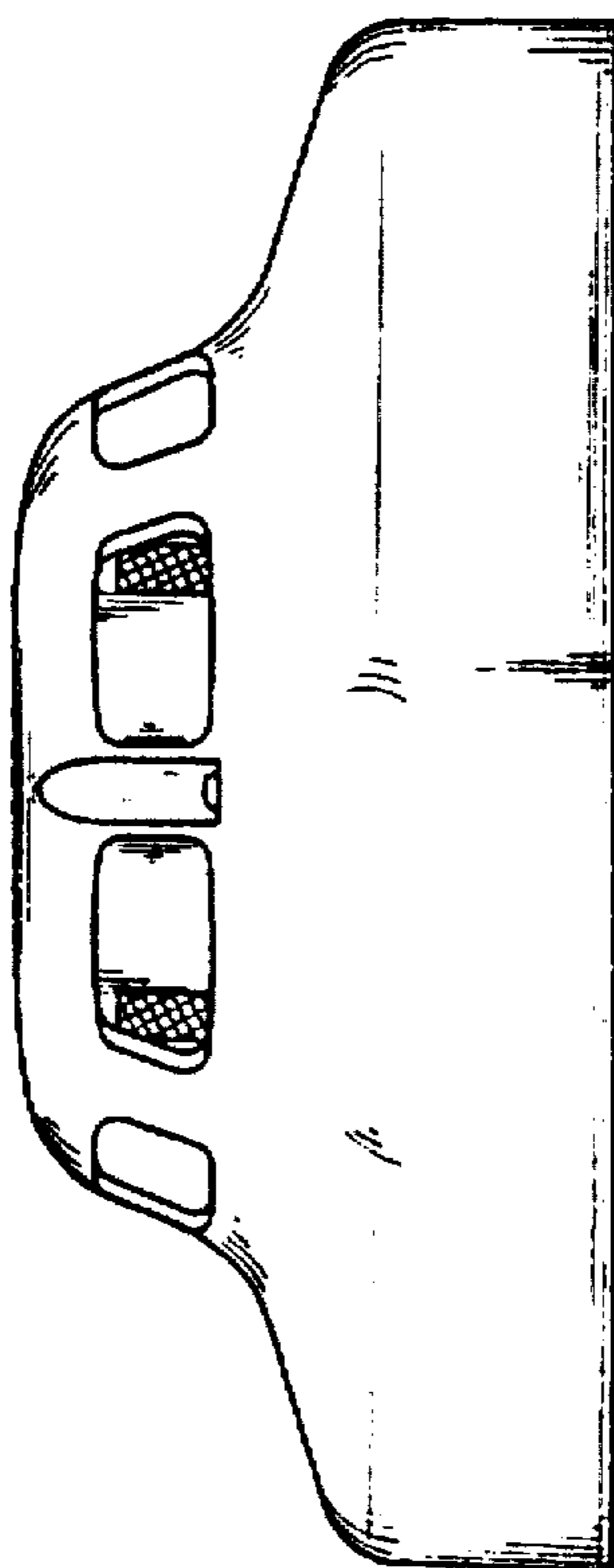


FIG.5

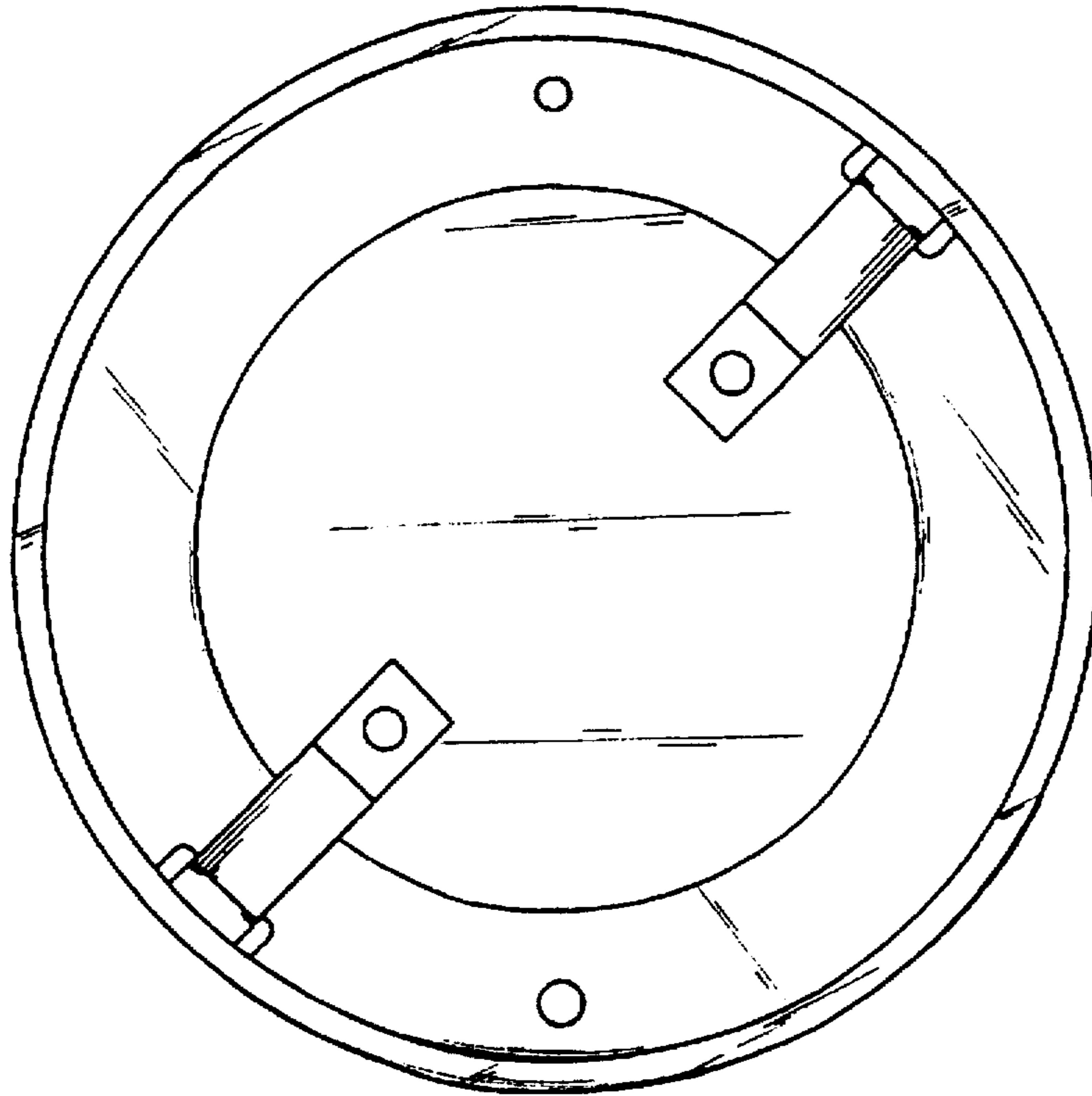


FIG.6

