



US00D391180S

United States Patent [19]
Thomas

[11] **Patent Number: Des. 391,180**
[45] **Date of Patent: **Feb. 24, 1998**

[54] **THREAD MICROMETER**

[76] **Inventor: Charles R. Thomas, 25749 Shake Rag Rd., Danville, Ill. 61834**

[**] **Term: 14 Years**

[21] **Appl. No.: 58,889**

[22] **Filed: Aug. 27, 1996**

[51] **LOC (6) Cl. 10-04**

[52] **U.S. Cl. D10/73**

[58] **Field of Search D10/73; 33/813-831**

[56] **References Cited**

U.S. PATENT DOCUMENTS

3,758,956 9/1973 Nakata D10/73 X
5,383,286 1/1995 Kipnes 33/829

Primary Examiner—Antoine Duval Davis
Attorney, Agent, or Firm—Harold H. Dutton, Jr.

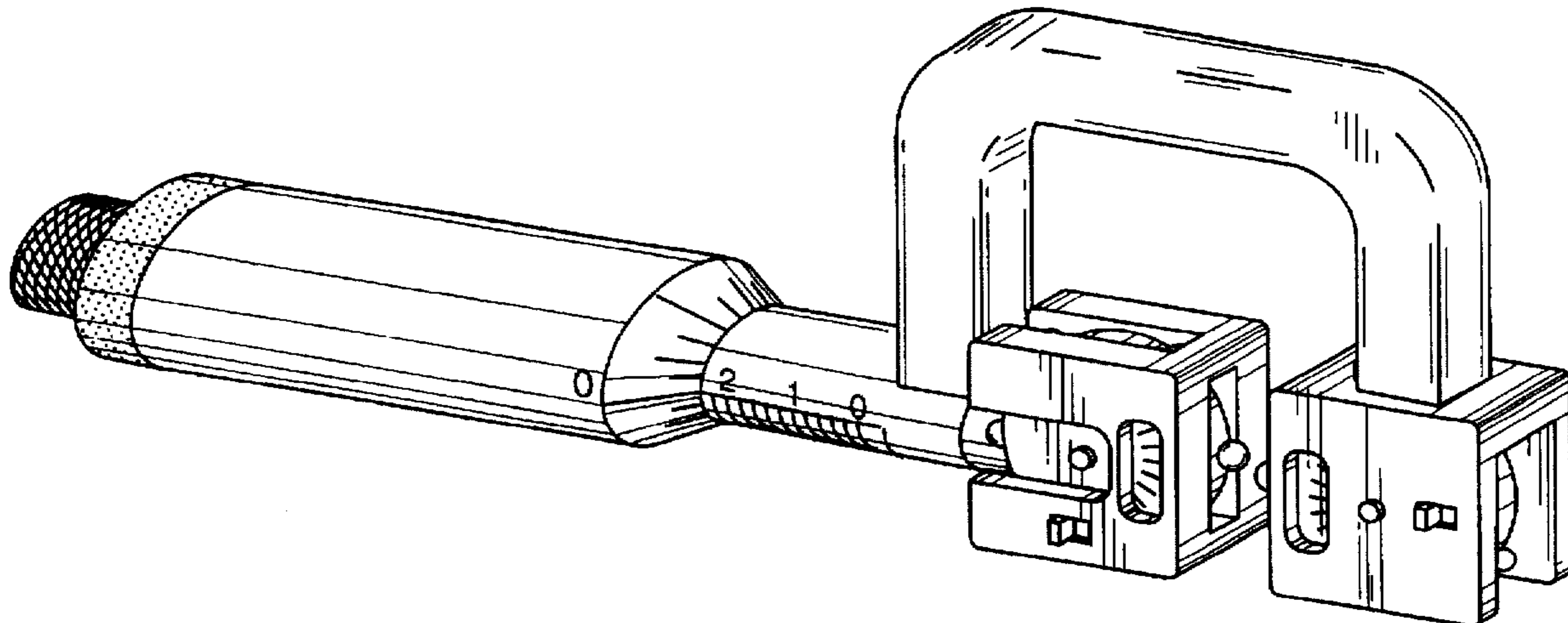
[57] **CLAIM**

The ornamental design for a thread micrometer, as shown.

DESCRIPTION

FIG. 1 is a perspective view of a thread micrometer showing my new design;
FIG. 2 is a left side view thereof;
FIG. 3 is a right side view thereof;
FIG. 4 is a top view thereof;
FIG. 5 is a bottom view thereof;
FIG. 6 is a front view thereof; and,
FIG. 7 is a rear view thereof.

1 Claim, 4 Drawing Sheets



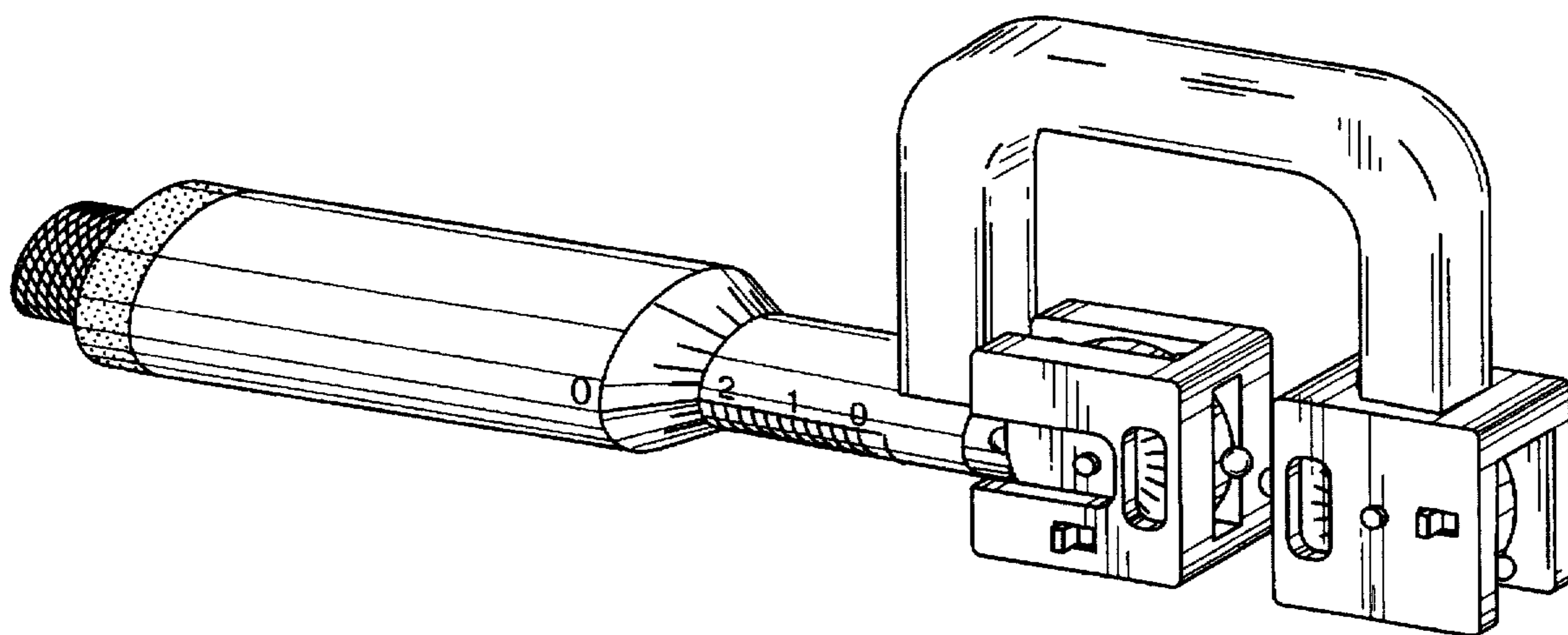


FIG. 1

FIG. 2

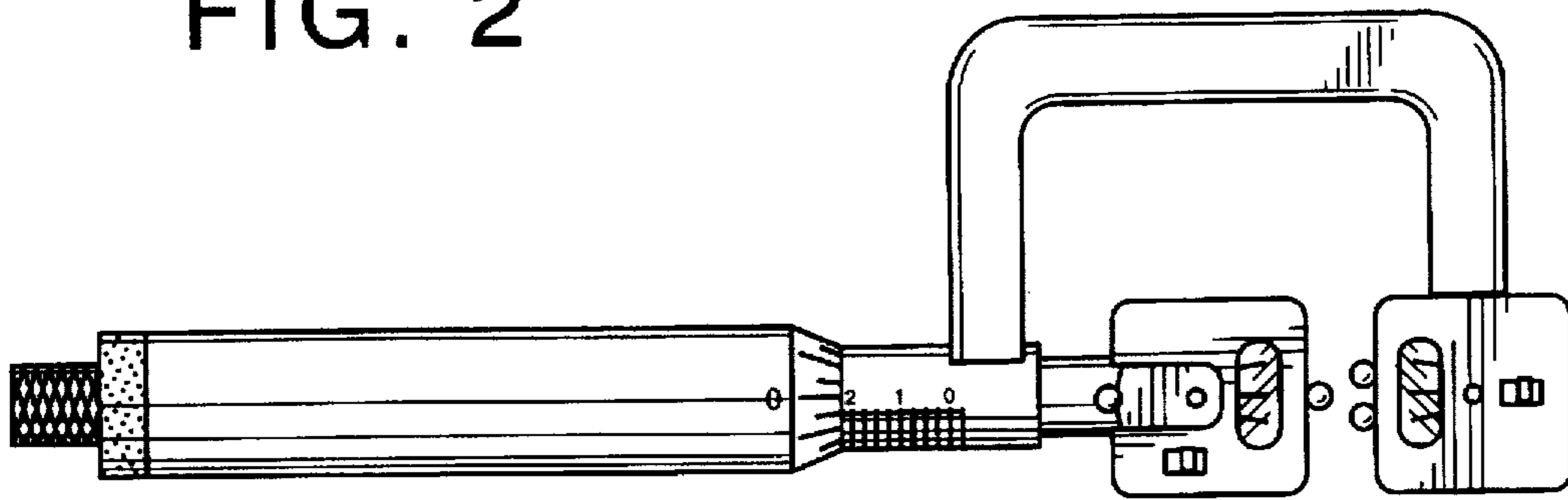
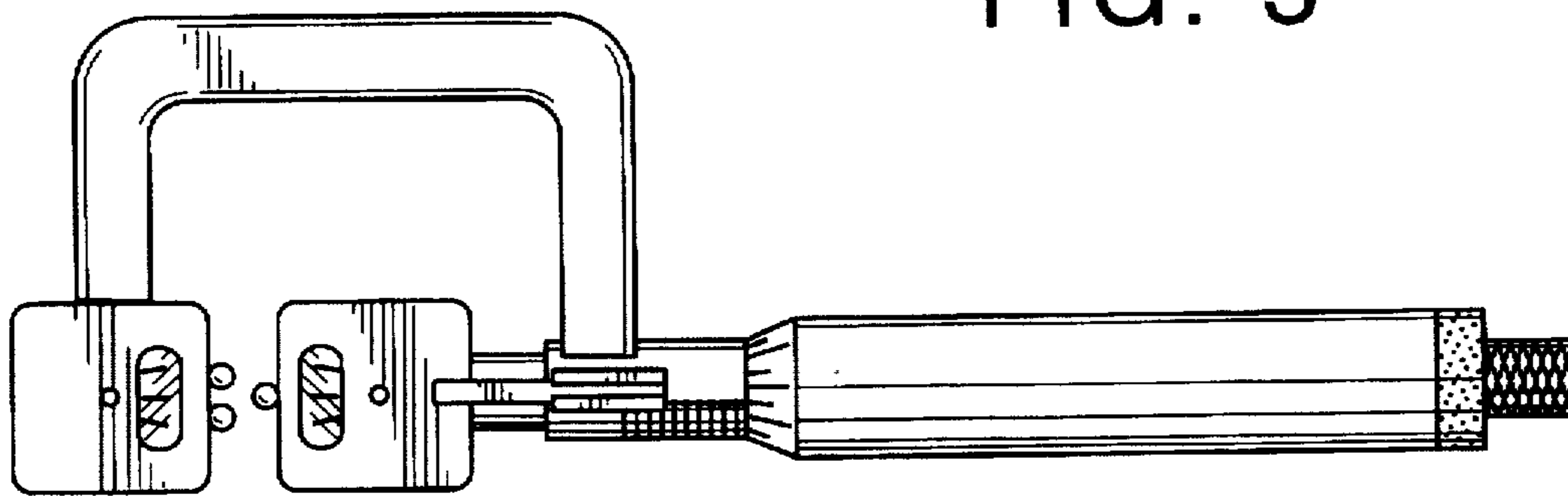


FIG. 3



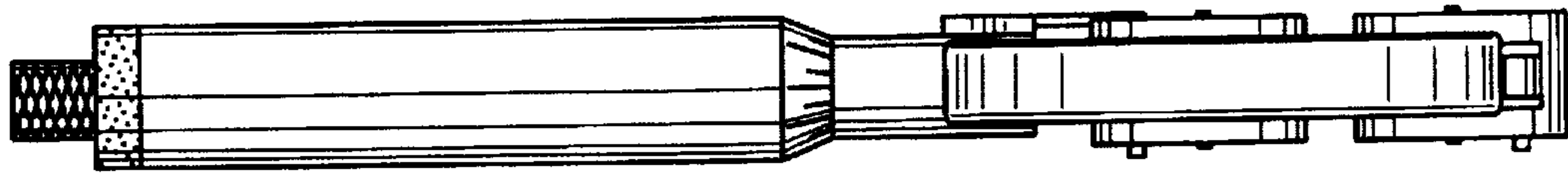


FIG. 4

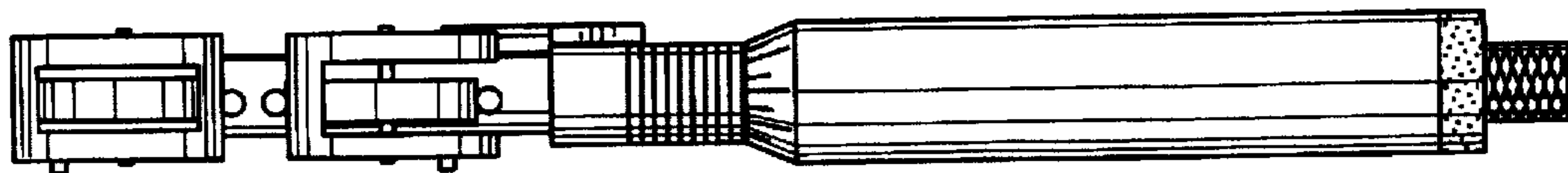


FIG. 5

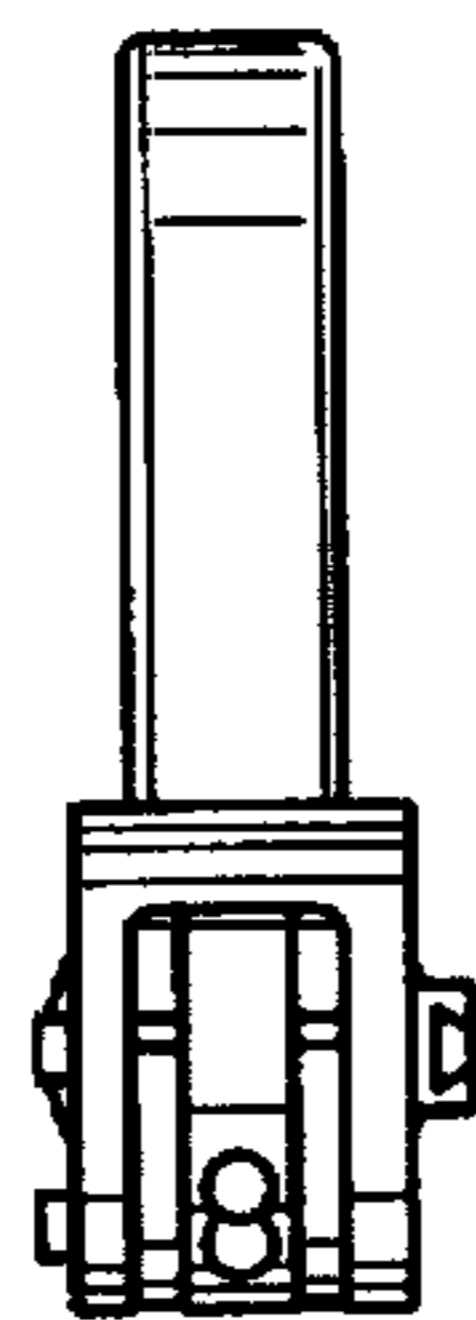


FIG. 6

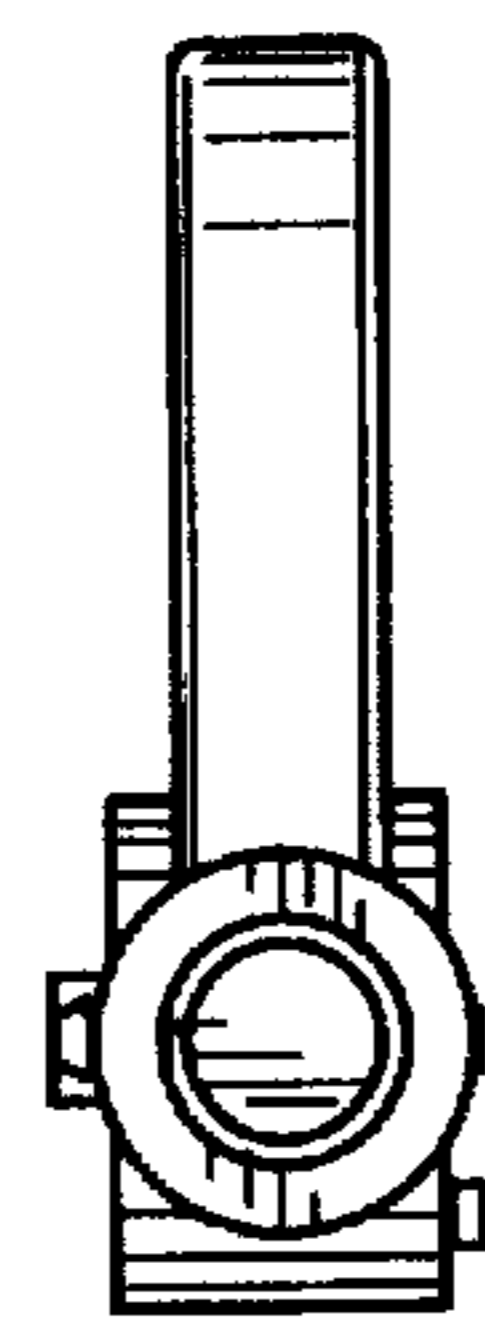


FIG. 7