



US00D391179S

**United States Patent** [19]  
**Croft**

[11] **Patent Number:** **Des. 391,179**  
[45] **Date of Patent:** **\*\*Feb. 24, 1998**

[54] **SHOWER THERMOMETER**

[76] **Inventor:** **Louis J. Croft**, 11 Ed Clark Rd.,  
Hubbardston, Mass. 01452

[\*\*] **Term:** **14 Years**

[21] **Appl. No.:** **69,804**

[22] **Filed:** **Apr. 17, 1997**

[51] **LOC (6) Cl.** ..... **10-04**

[52] **U.S. Cl.** ..... **D10/57**

[58] **Field of Search** ..... **D10/57; 374/141,**  
**374/147, 148, 208**

[56] **References Cited**

**U.S. PATENT DOCUMENTS**

D. 356,045	3/1995	Payne	.....	D10/57
4,305,289	12/1981	Cornelison	.....	374/147 X
5,320,137	6/1994	Huang	.....	374/147 X

*Primary Examiner*—Antoine Duval Davis

[57] **CLAIM**

The ornamental design for a shower thermometer, as shown.

**DESCRIPTION**

FIG. 1 is a front plan view of the shower thermometer of the present invention;

FIG. 2 is a back plan view of the shower thermometer of FIG. 1;

FIG. 3 is a left side plan view of the shower thermometer of FIG. 1;

FIG. 4 is a right side plan view of the shower thermometer of FIG. 1;

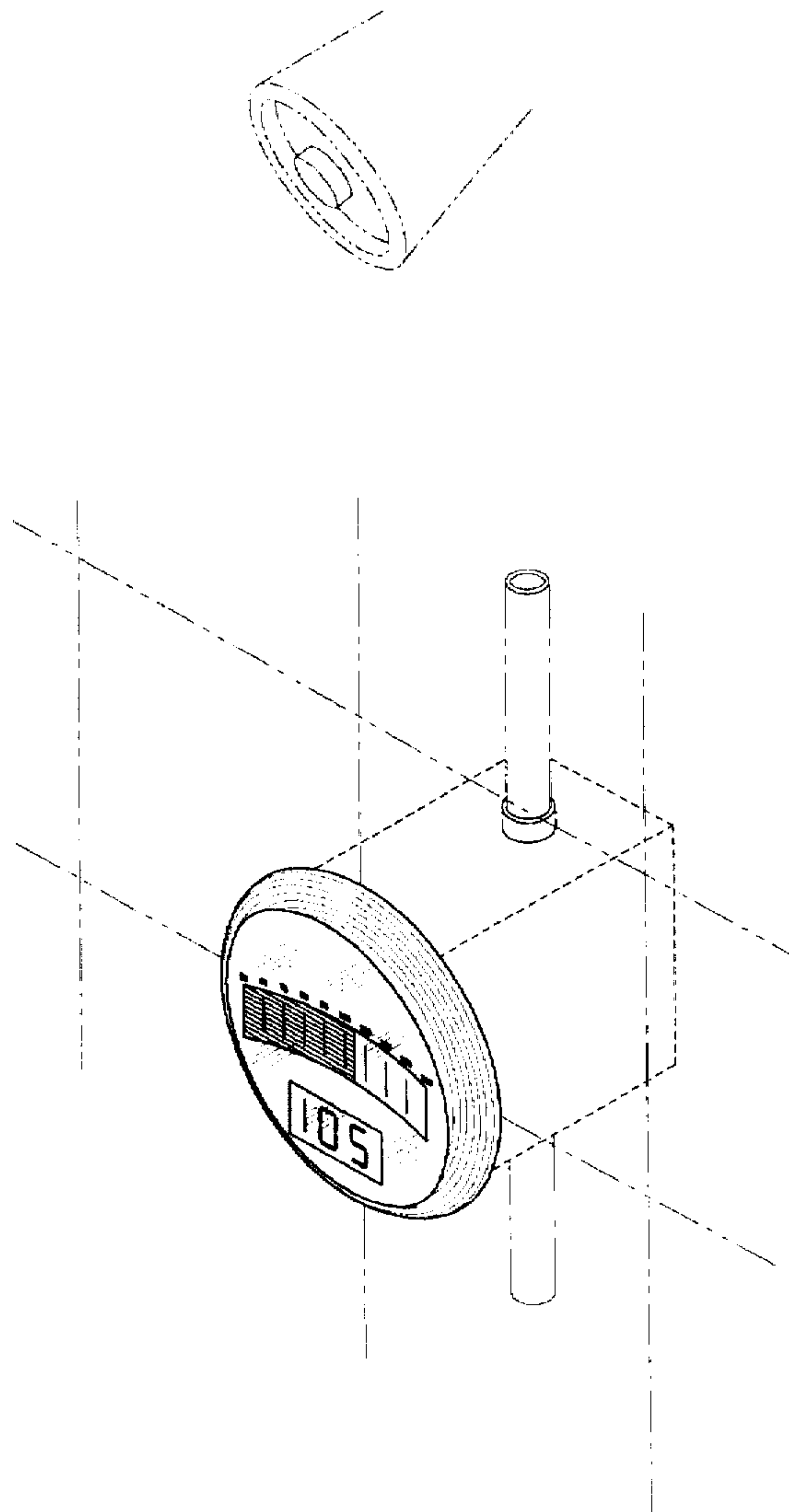
FIG. 5 is a top plan view of the shower thermometer of FIG. 1;

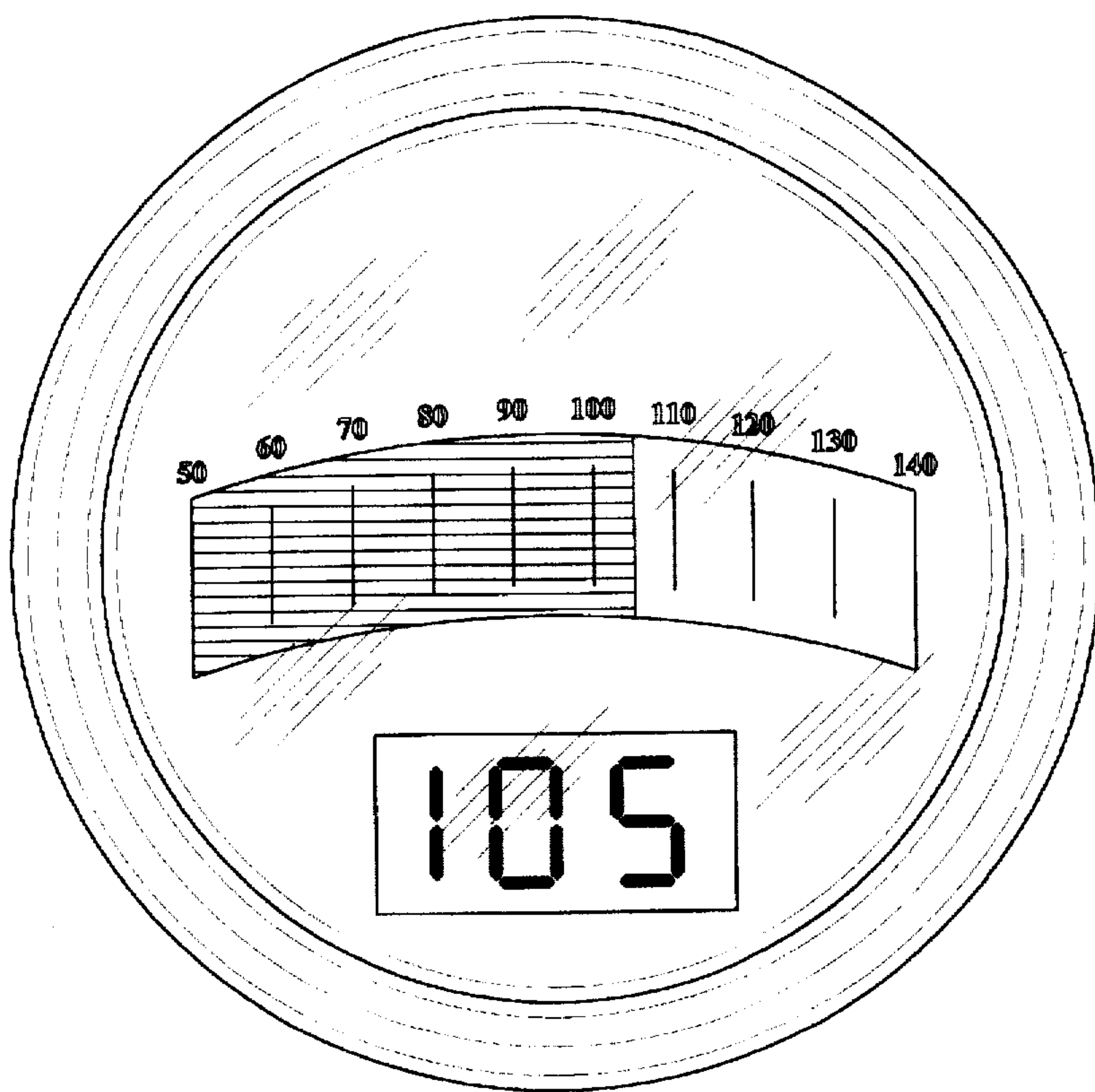
FIG. 6 is a bottom plan view of the shower thermometer of FIG. 1; and,

FIG. 7 is a top, front, right side view of the shower thermometer of FIG. 1 in use.

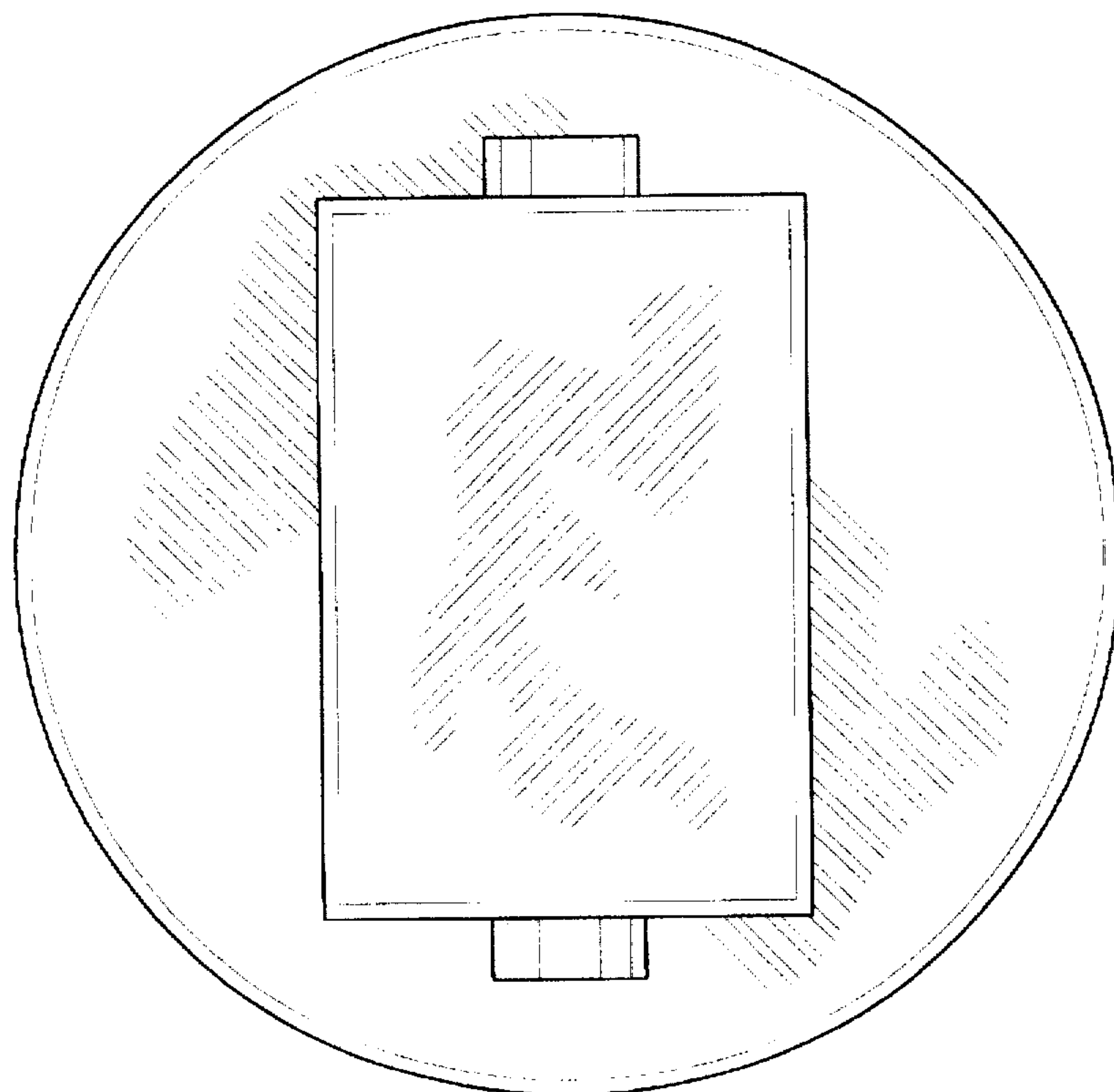
The broken line showing is for illustrative purposes only and forms no part of the claimed design.

**1 Claim, 4 Drawing Sheets**

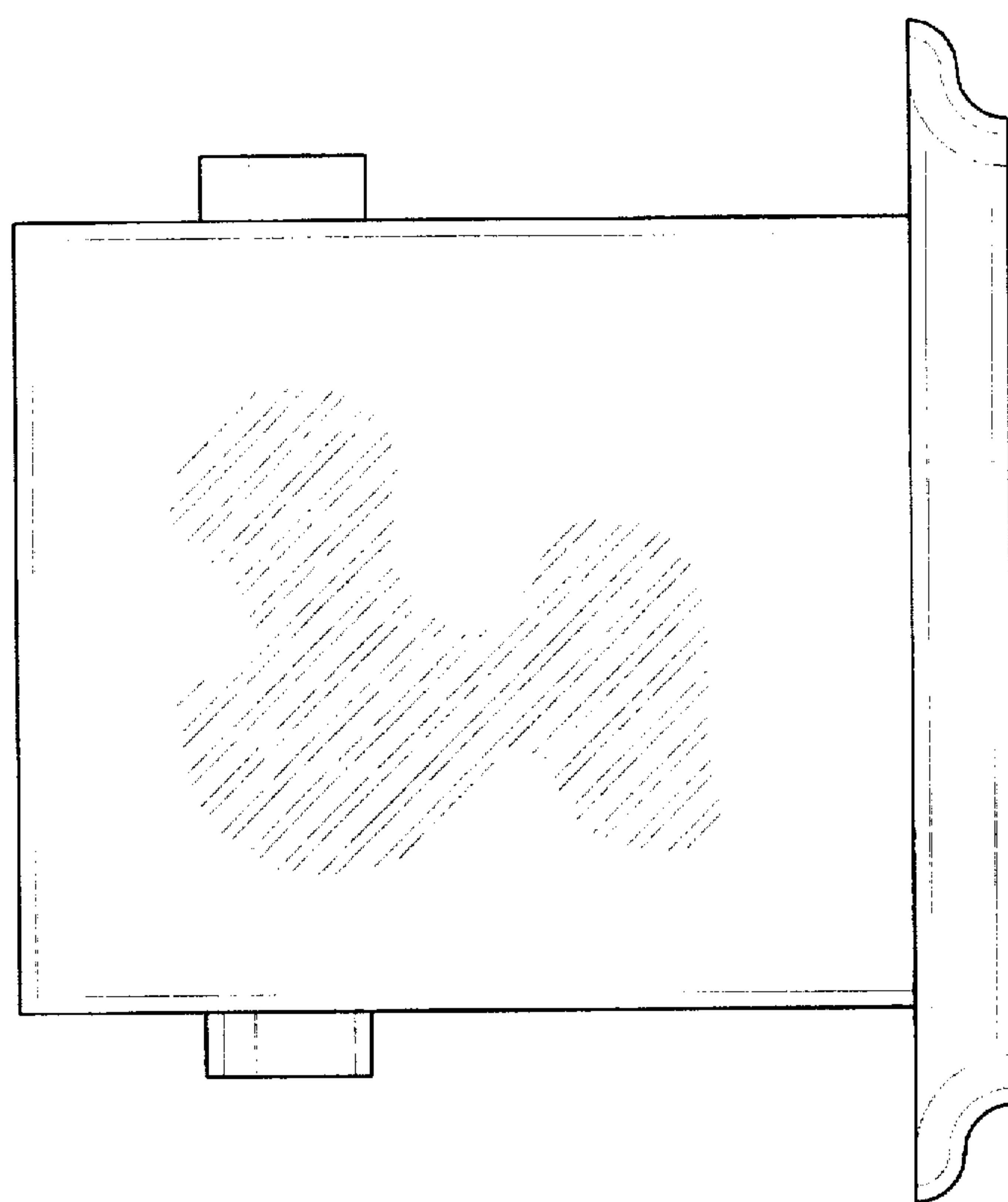




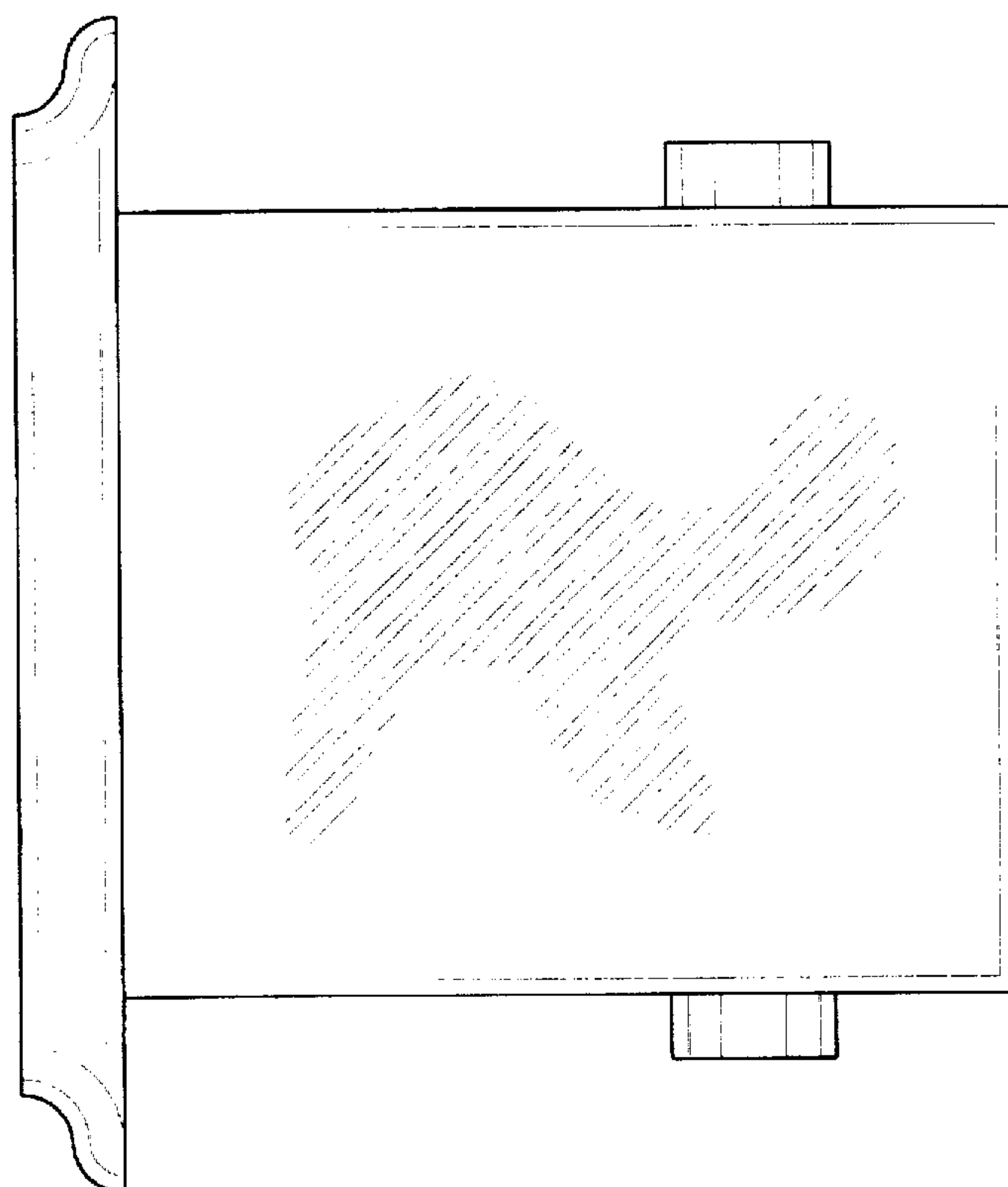
*Fig. 1*



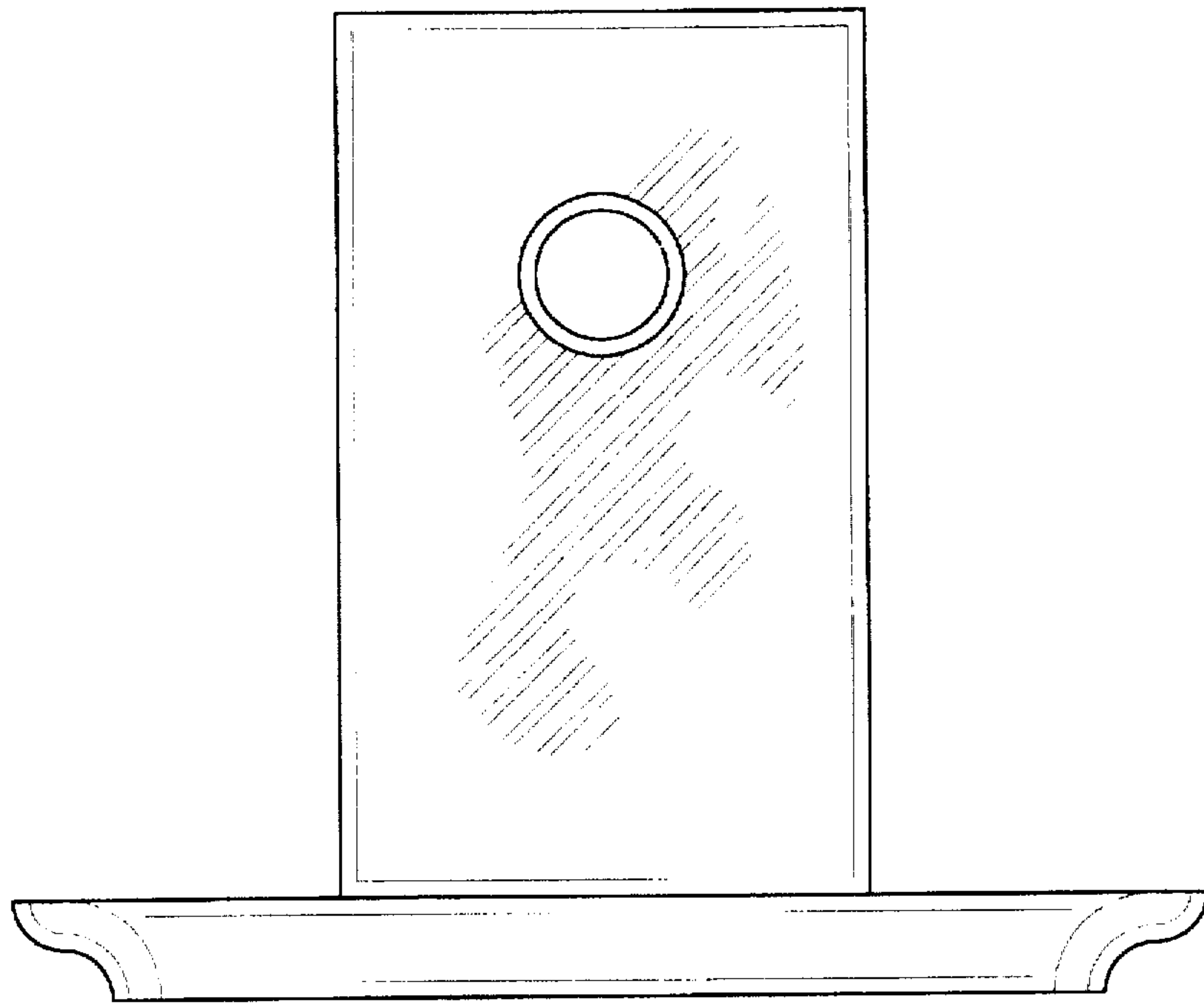
*Fig. 2*



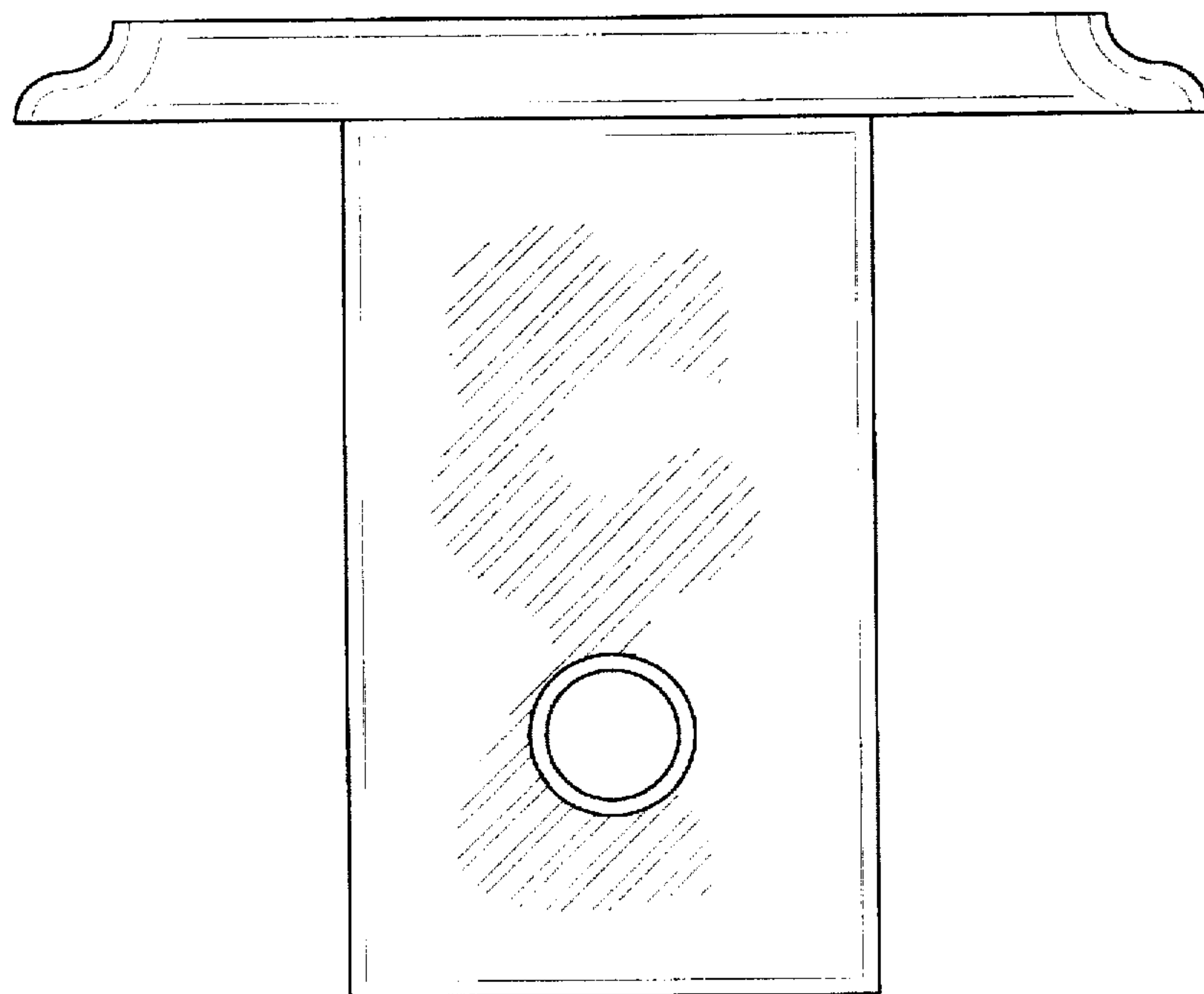
*Fig. 3*



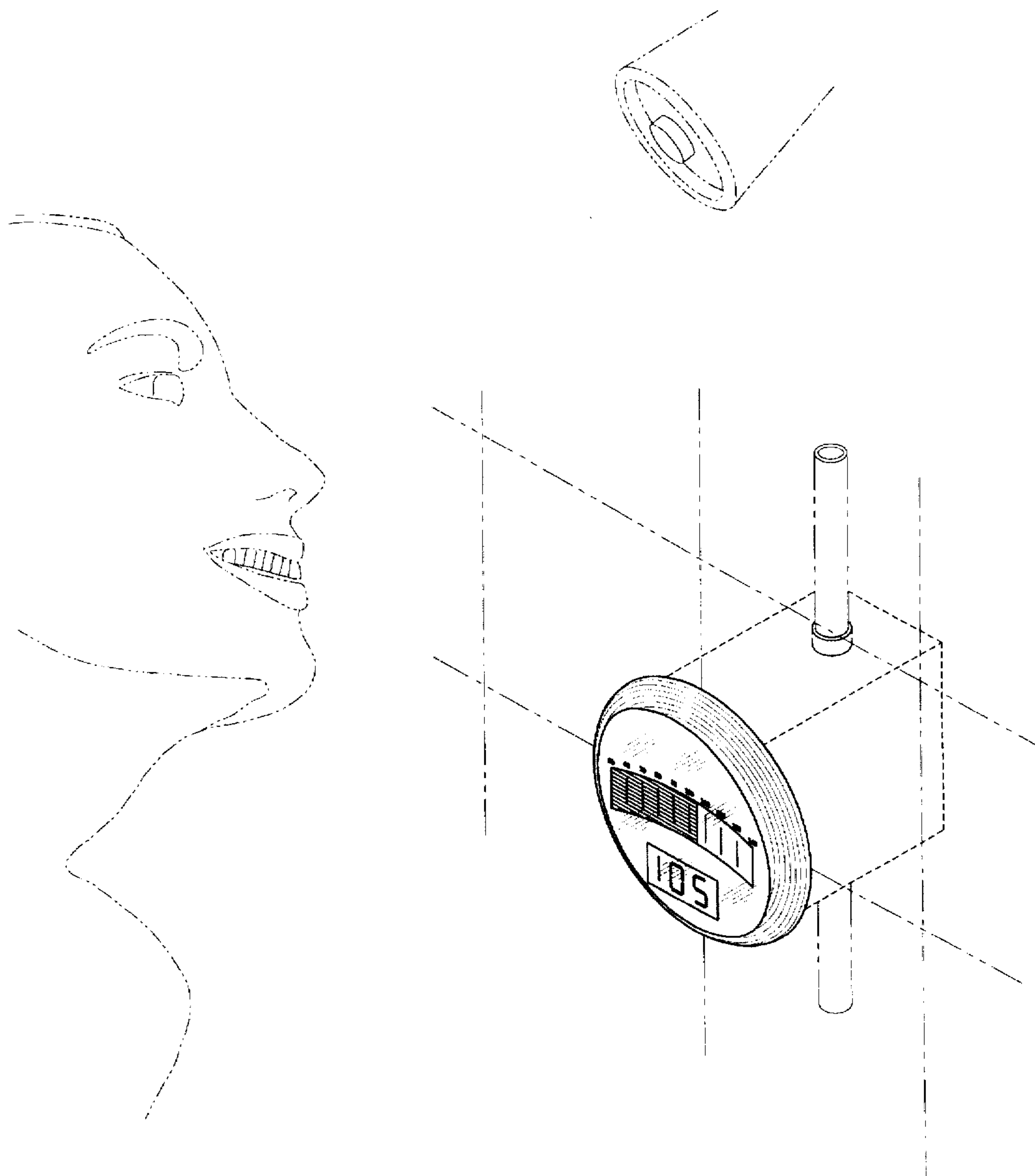
*Fig. 4*



*Fig. 5*



*Fig. 6*



*Fig. 7*