



US00D391177S

United States Patent [19]
Stekelenburg

[11] **Patent Number: Des. 391,177**
[45] **Date of Patent: **Feb. 24, 1998**

[54] **TIMER**

[76] **Inventor: Albert Stekelenburg, 9th Fl., 102 Kuang-Fu. Rd., Taipei, Taiwan**

[**] **Term: 14 Years**

[21] **Appl. No.: 68,305**

[22] **Filed: Mar. 27, 1997**

[51] **LOC (6) Cl. 10-03**

[52] **U.S. Cl. D10/40; D10/15**

[58] **Field of Search D10/15, 30, 40, D10/2, 75; 307/141, 141.4; D13/141-143, 165; 368/97-121, 10**

[56] **References Cited**

U.S. PATENT DOCUMENTS

- D. 300,314 3/1989 Krzyzanowski D10/75 X
- D. 314,177 1/1991 Heiligenstein D13/142
- D. 315,893 4/1991 Cheng D13/165
- D. 352,472 11/1994 Chen D10/40

- D. 352,667 11/1994 Chen D10/40
- D. 363,680 10/1995 Shan D10/75
- D. 364,826 12/1995 Wu D10/75
- D. 367,845 3/1996 Jacobs D13/141

Primary Examiner—Nelson C. Holtje
Attorney, Agent, or Firm—W. Wayne Liauh

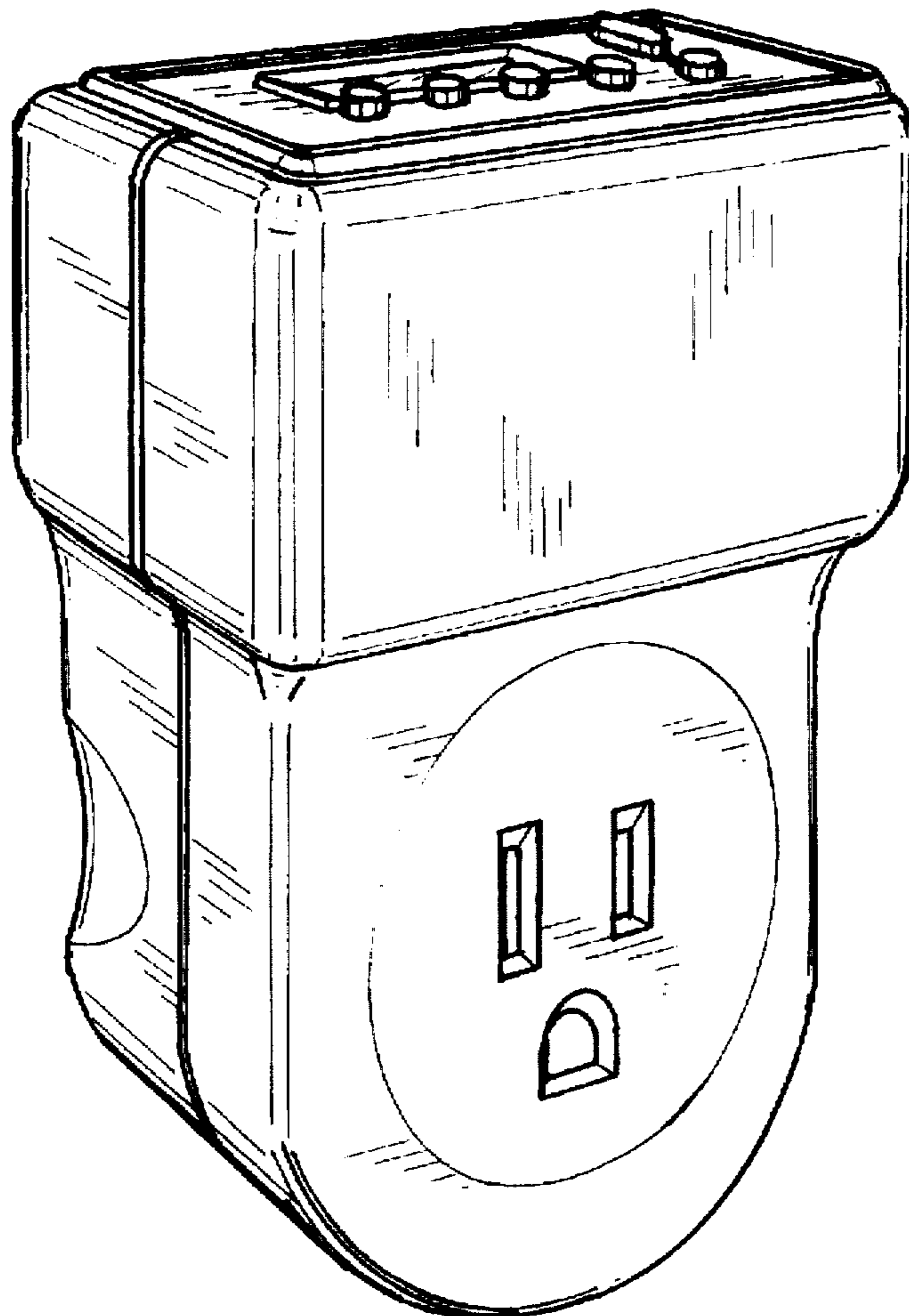
[57] **CLAIM**

The ornamental design for a timer, as shown and described.

DESCRIPTION

FIG. 1 is a top view of a timer showing the preferred embodiment of my new design;
FIG. 2 is a front view thereof;
FIG. 3 is a right side elevational view thereof;
FIG. 4 is a bottom view thereof;
FIG. 5 is a left side elevational view thereof;
FIG. 6 is a rear elevational view thereof; and,
FIG. 7 is a perspective view thereof.

1 Claim, 3 Drawing Sheets



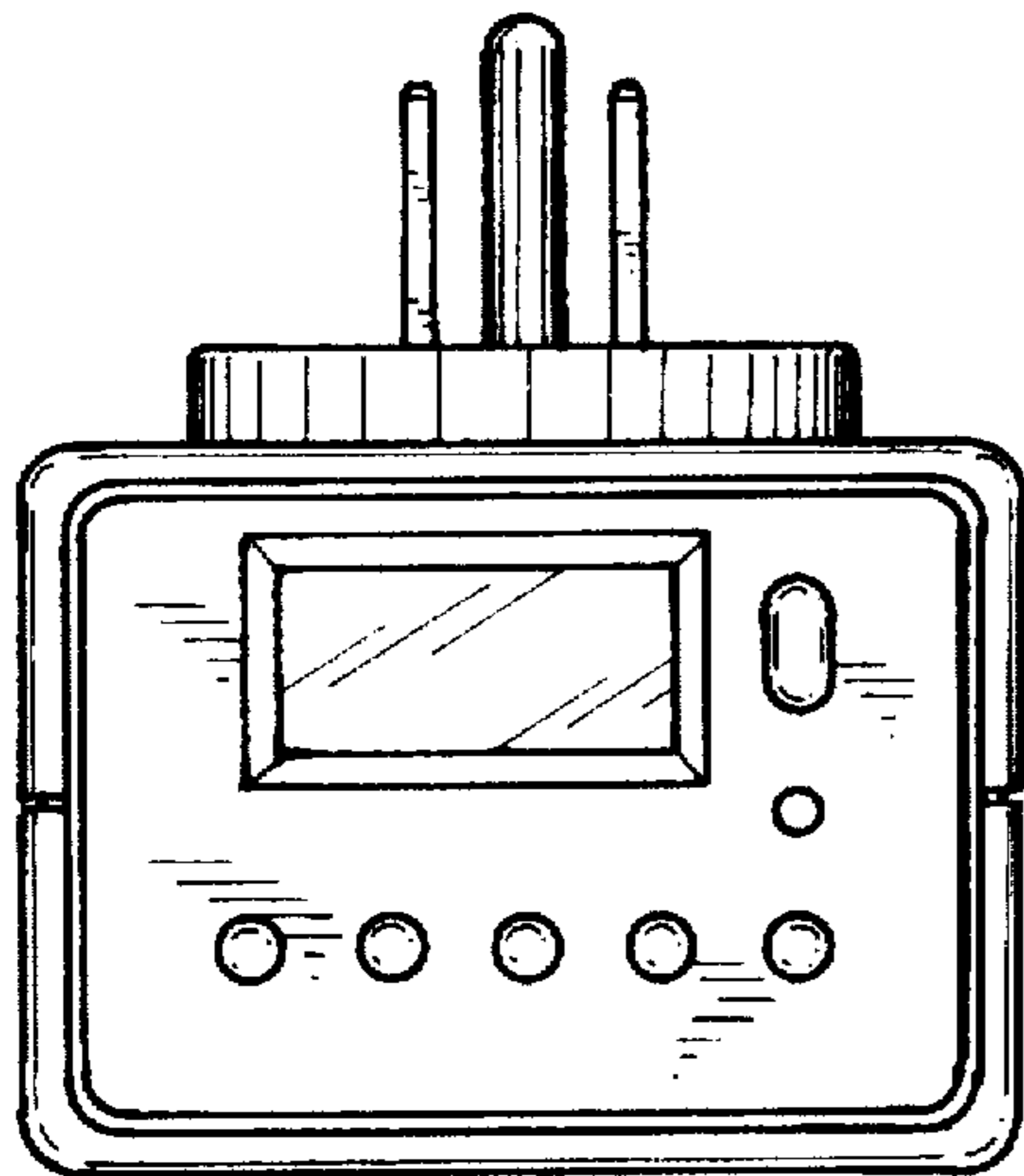


FIG. 1

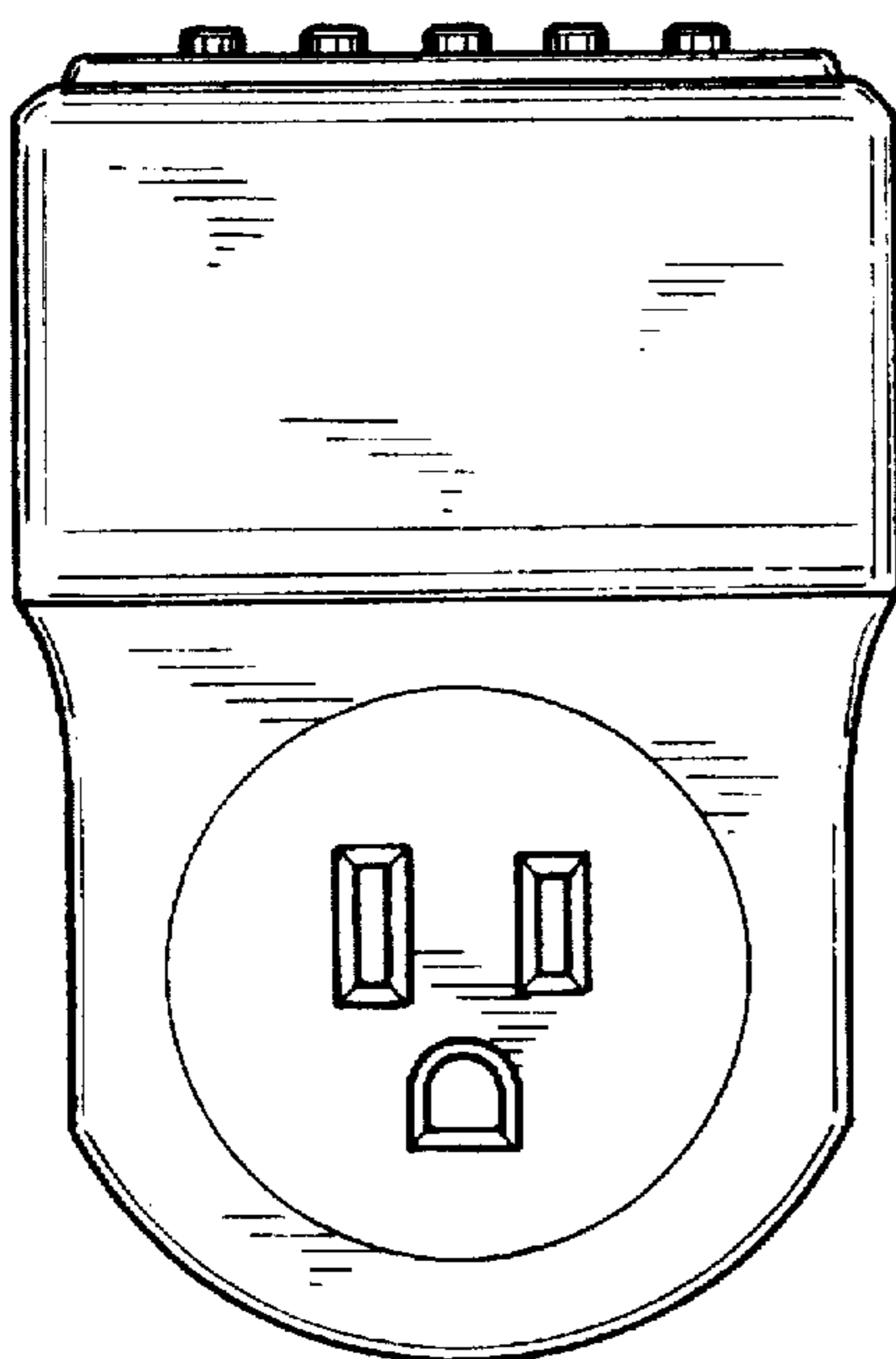


FIG. 2

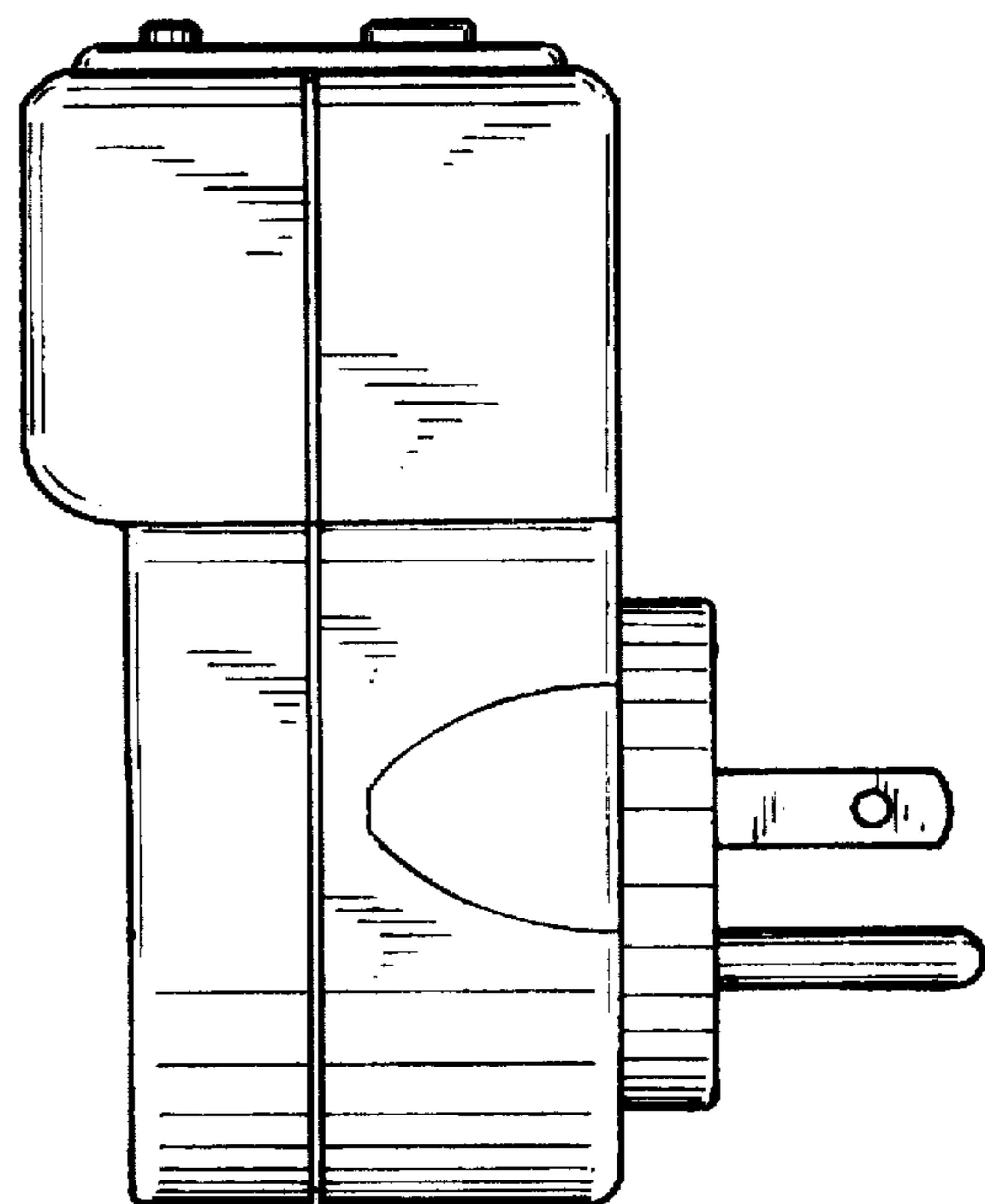


FIG. 3

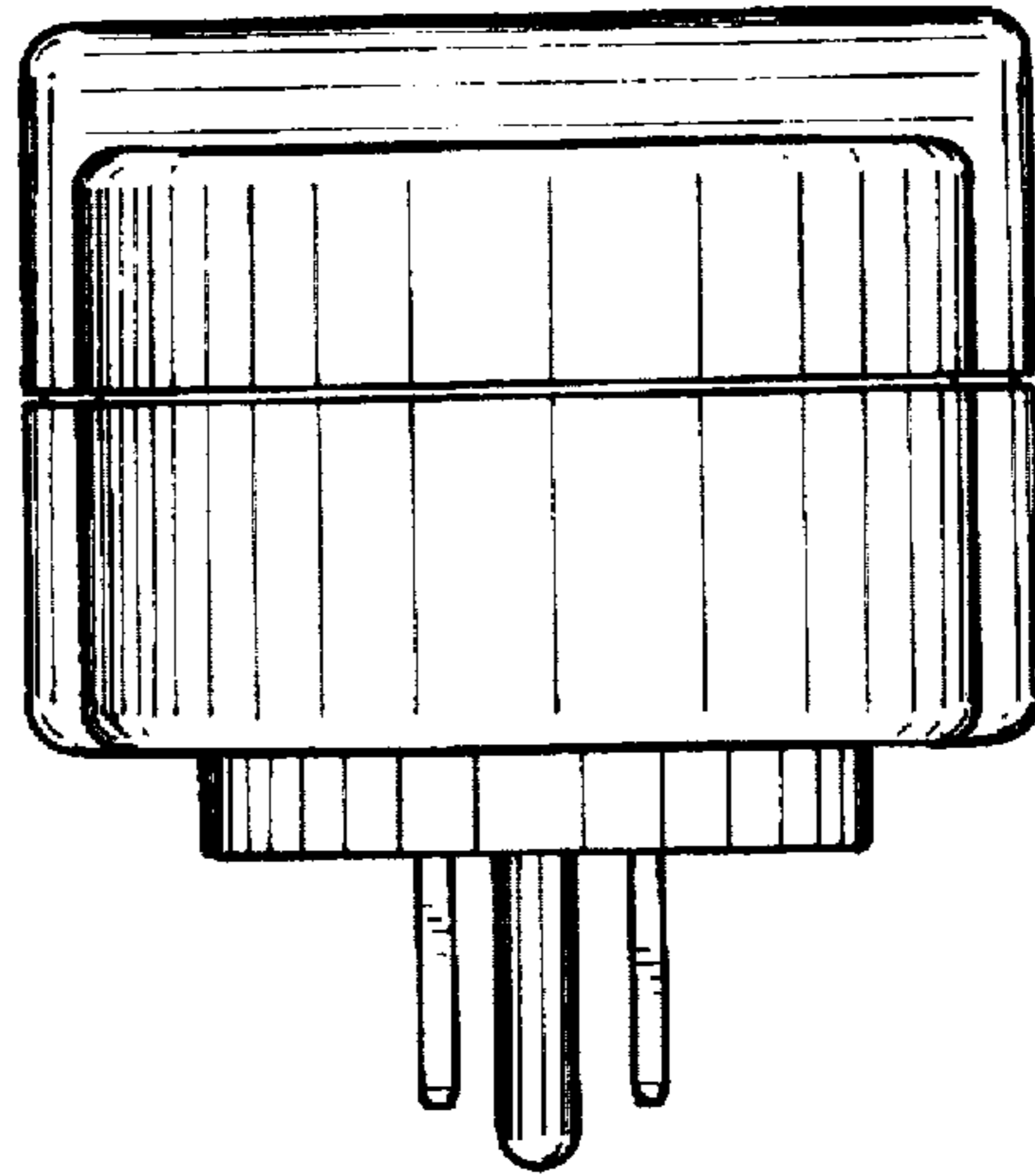


FIG. 4

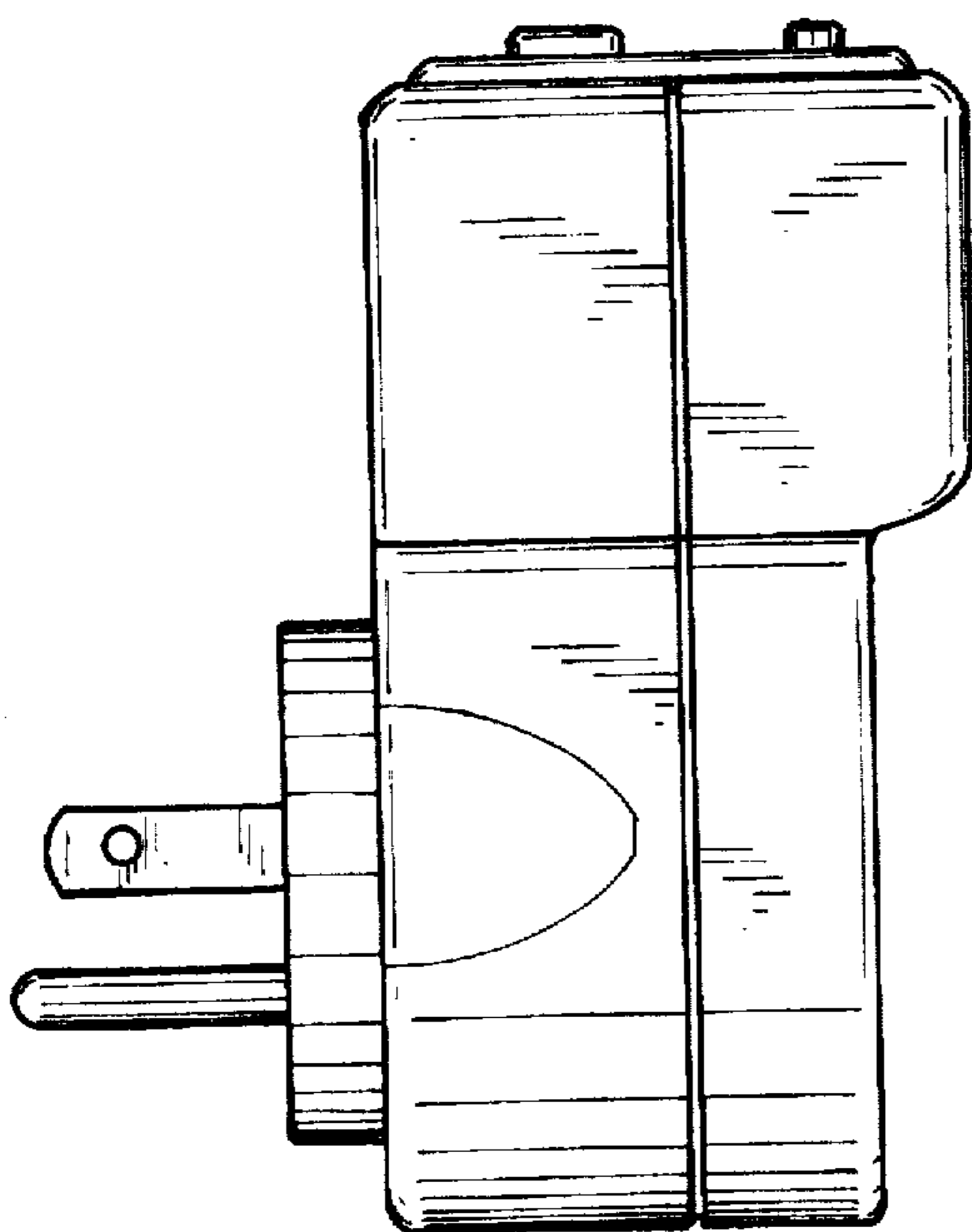


FIG. 5

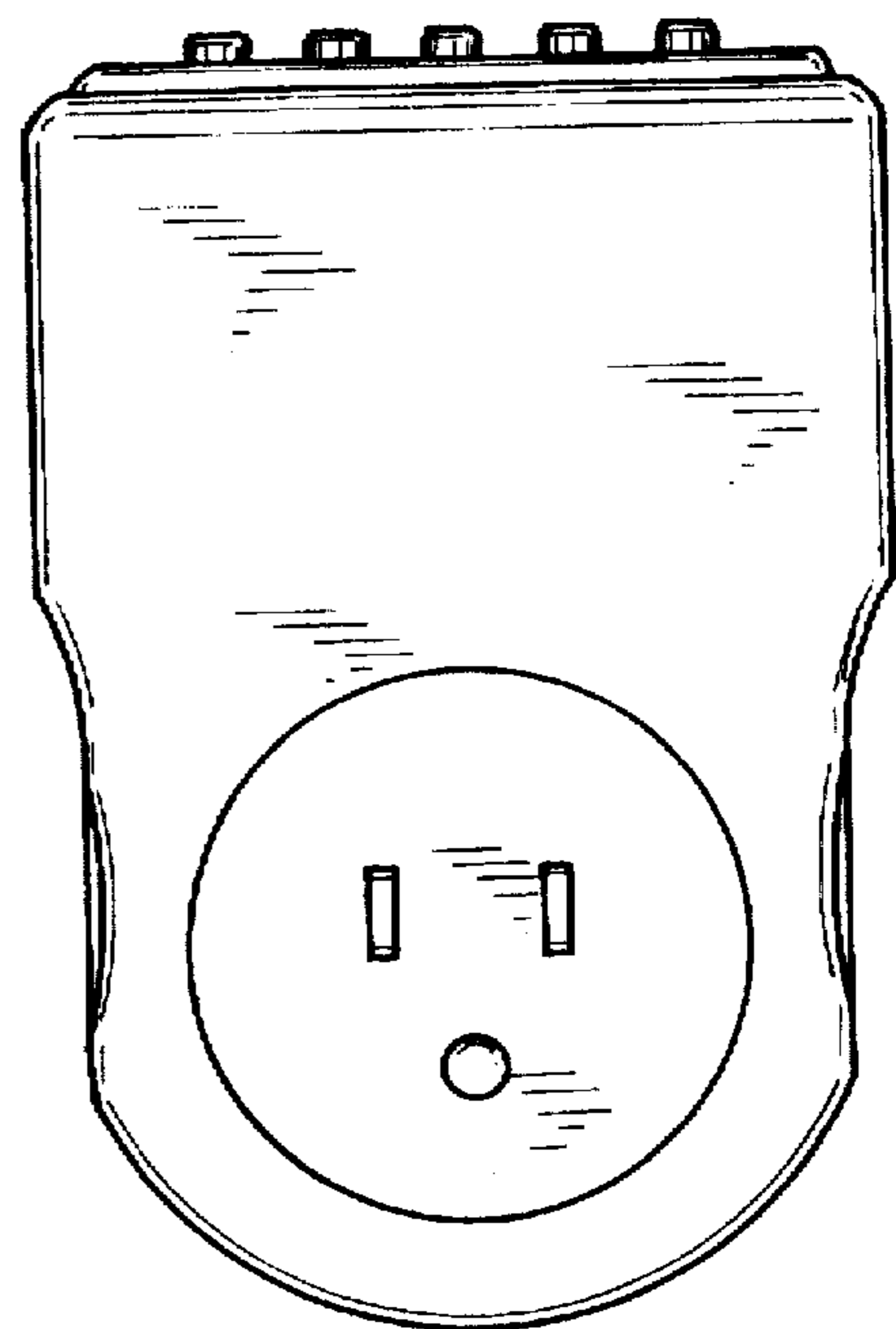


FIG. 6

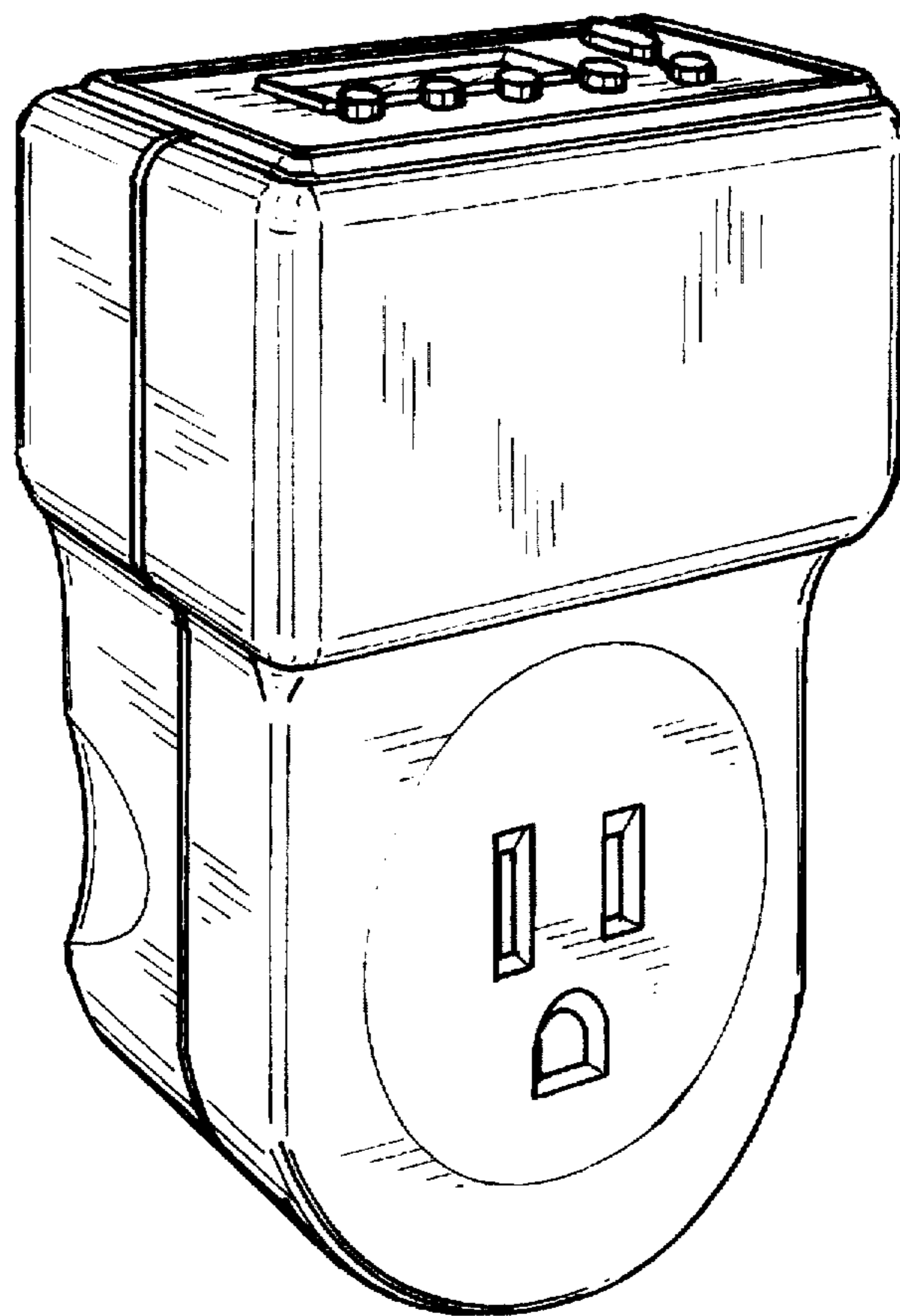


FIG. 7