



US00D391168S

United States Patent [19]
Ogg

[11] **Patent Number: Des. 391,168**
[45] **Date of Patent: **Feb. 24, 1998**

[54] **REINFORCED CONTAINER DOME**
[75] **Inventor: Richard Ogg, Littlestown, Pa.**
[73] **Assignee: Graham Packaging Corporation, York, Pa.**
[**] **Term: 14 Years**
[21] **Appl. No.: 56,930**
[22] **Filed: Jul. 11, 1996**
[51] **LOC (6) Cl. 09-01**
[52] **U.S. Cl. D9/538; D9/553**
[58] **Field of Search D9/538-543, 553, D9/554, 566, 567, 559; 215/381-384**

D. 366,416 1/1996 Semersky .
D. 366,417 1/1996 Semersky .
D. 366,421 1/1996 Best .
D. 366,831 2/1996 Semersky .
D. 380,158 6/1997 Olivares D9/541
4,805,788 2/1989 Akiho .
4,818,575 4/1989 Hirata et al. .
4,946,053 8/1990 Conrad .
5,067,622 11/1991 Garver et al. .
5,178,289 1/1993 Kumar et al. 215/383 X
5,178,290 1/1993 Ota et al. .
5,199,588 4/1993 Hayashi .
5,222,615 6/1993 Ota et al. .
5,238,129 8/1993 Ota .
5,310,068 5/1994 Saghri .

Primary Examiner—Lucy Lieberman
Attorney, Agent, or Firm—Howson and Howson

[56] **References Cited**

U.S. PATENT DOCUMENTS

D. 293,890 1/1988 Rogler .
D. 294,118 2/1988 Papa .
D. 294,120 2/1988 Griesing et al. .
D. 294,461 3/1988 Papa .
D. 294,463 3/1988 Lang .
D. 294,678 3/1988 Papa .
D. 294,679 3/1988 Griesing et al. .
D. 295,377 4/1988 Rogler et al. D9/500
D. 295,381 4/1988 Papa .
D. 295,609 5/1988 Papa .
D. 295,955 5/1988 LeFevre .
D. 316,968 5/1991 York .
D. 320,154 9/1991 Alberghini et al. D9/520
D. 331,881 12/1992 Garver et al. .
D. 340,190 10/1993 Skidmore et al. .
D. 345,693 4/1994 Edstrom D9/559 X
D. 346,556 5/1994 Sirico et al. .
D. 347,391 5/1994 Guertin .

[57] **CLAIM**

The ornamental design for a reinforced container dome, as shown and described.

DESCRIPTION

FIG. 1 is a front elevational view of a container dome embodying my new design, the opposite side being the same in appearance;
FIG. 2 is an elevational view of the container dome of FIG. 1 rotated 90° about its central vertical axis, the opposite side being the same in appearance;
FIG. 3 is a top view of the container dome of FIG. 1; and, FIG. 4 is a bottom plan view of the container of FIG. 1. The broken line showing of a container finish, sidewall and base, is for illustrative purposes only and forms no part of the claimed design.

1 Claim, 3 Drawing Sheets

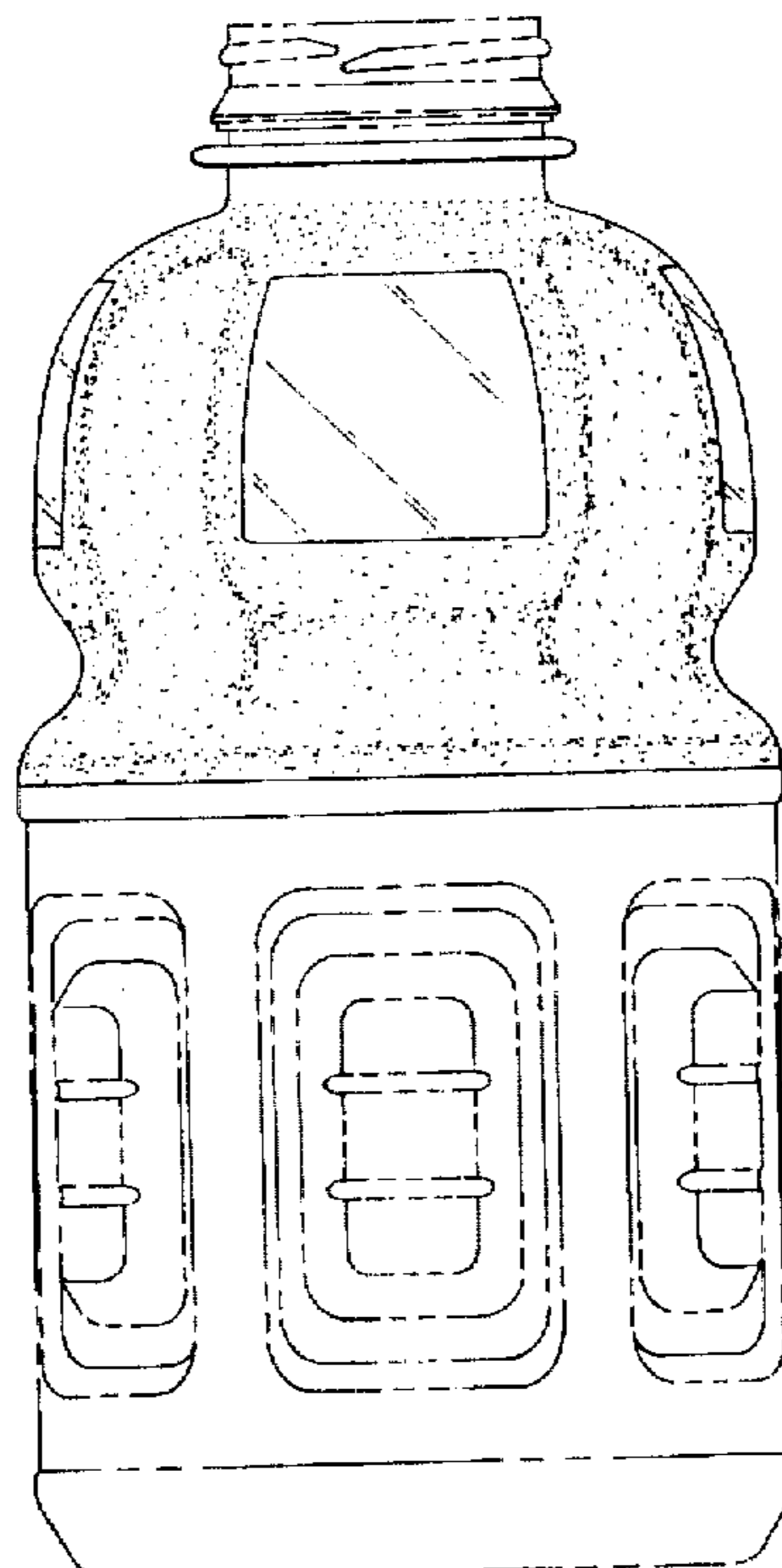


FIG. 1

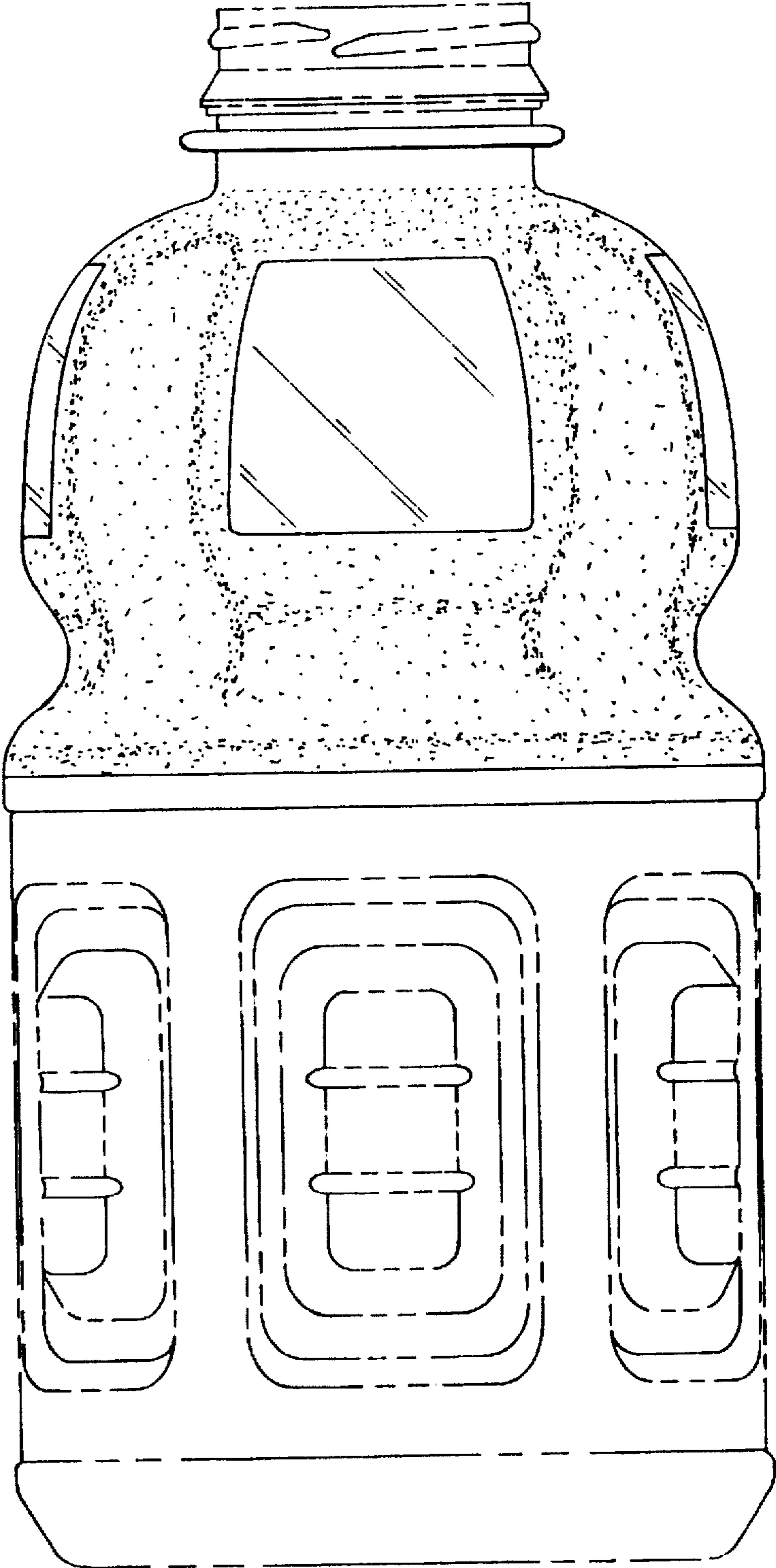


FIG. 2

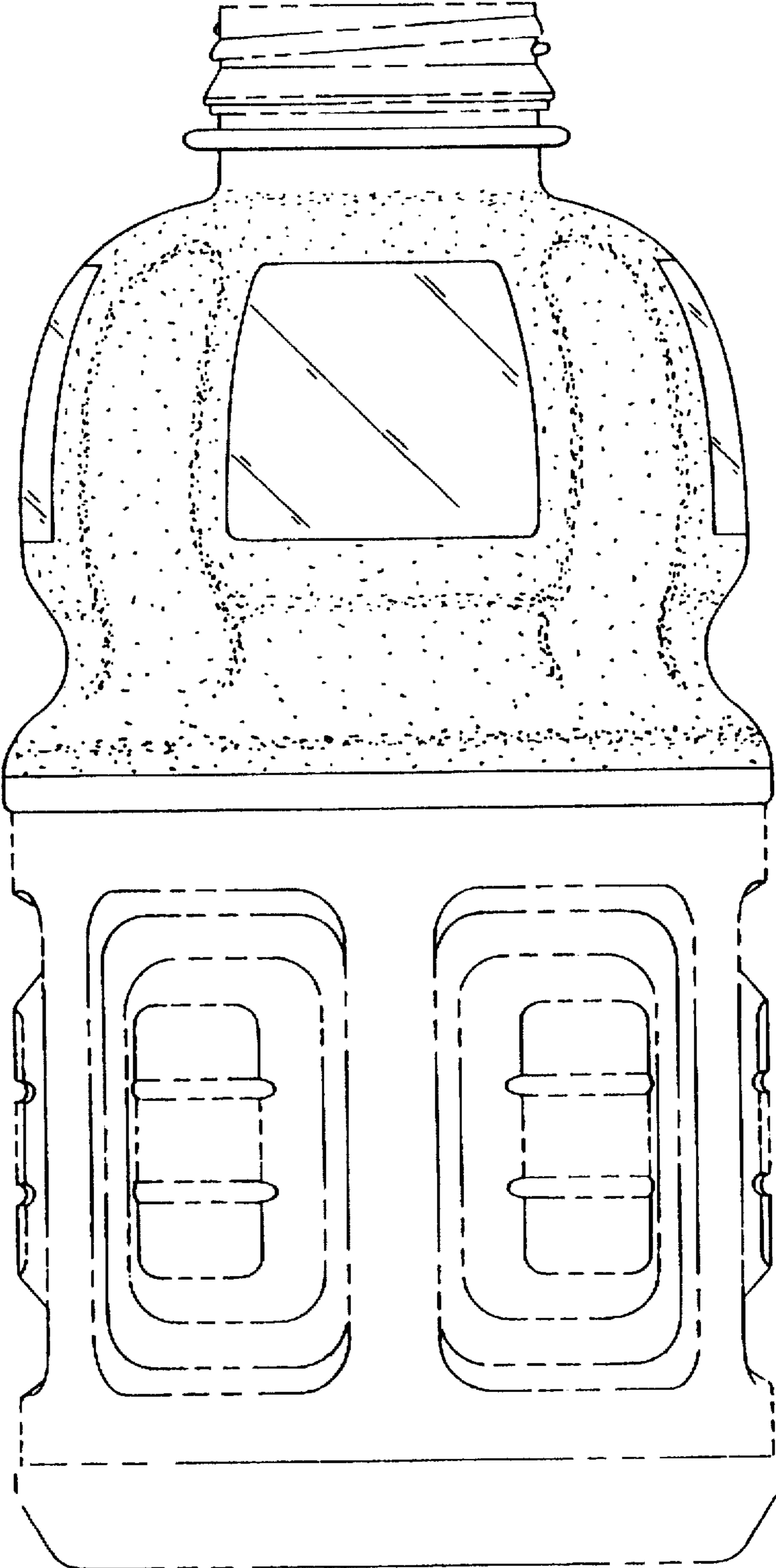


FIG. 3

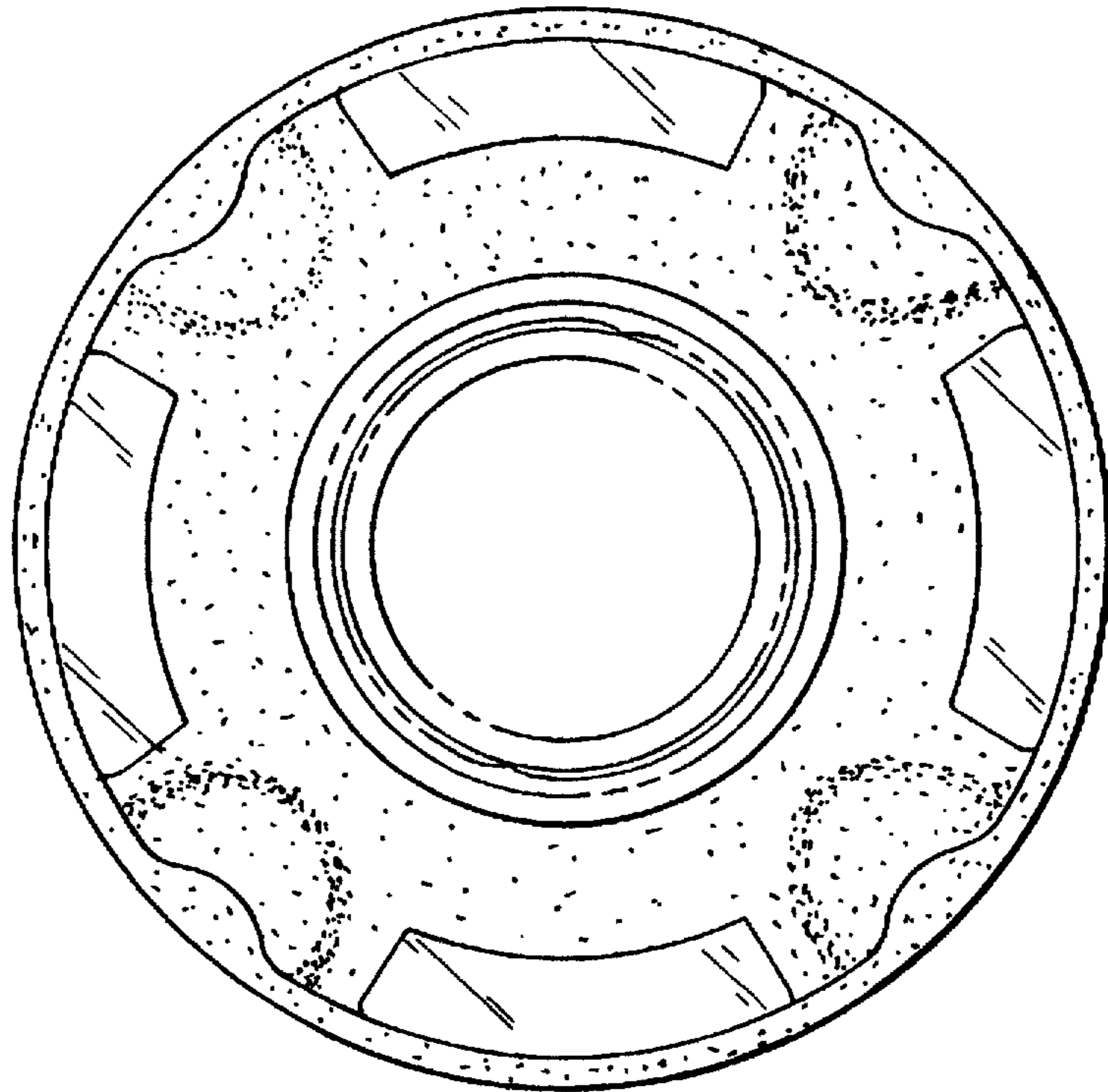


FIG. 4

