



US00D391154S

United States Patent [19]
Kramer

[11] **Patent Number: Des. 391,154**
[45] **Date of Patent: **Feb. 24, 1998**

[54] **JACK-O-LANTERN CONTAINER**
[76] **Inventor: Stanley Kramer, 404 Fireside La.,
Cherry Hill, N.J. 08003**
[**] **Term: 14 Years**
[21] **Appl. No.: 60,005**
[22] **Filed: Sep. 19, 1996**
[51] **LOC (6) Cl. 09-03**
[52] **U.S. Cl. D9/307; D21/155; D11/121;
D9/335**
[58] **Field of Search D11/121, 125;
D21/155; D9/305, 307, 335, 310, 311, 314,
329; 446/4, 5, 220; 206/457, 525, 634,
524.1; 150/55; 220/352-356, 4.21; 426/104,
112; 428/21, 22**

D. 351,779 10/1994 Allison D9/335
2,428,133 9/1947 Yogan 206/822 X
4,795,033 1/1989 Duffy 206/457
5,195,638 3/1993 Zinbarg 206/457

Primary Examiner—Martie Thompson
*Attorney, Agent, or Firm—Caesar, Rivise, Bernstein, Cohen
& Pokotilow, Ltd.*

[57] **CLAIM**

The ornamental design for a jack-o-lantern container, as shown and described.

DESCRIPTION

FIG. 1 is a front elevation view of the jack-o-lantern container showing my new design;
FIG. 2 is a top plan view of the jack-o-lantern container shown in FIG. 1, the dashed line being indicative of scoring;
FIG. 3 is a rear elevation view of the jack-o-lantern container shown in FIG. 1;
FIG. 4 is a bottom plan view of the jack-o-lantern container shown in FIG. 1; and,
FIG. 5 is a right-side elevation view of the jack-o-lantern container shown in FIG. 1. with the left-side elevation view being a mirror image thereof.

[56] **References Cited**

U.S. PATENT DOCUMENTS

D. 204,464 4/1966 Green D21/155 X
D. 207,267 3/1967 Tarrson D21/155
D. 310,023 8/1990 Dembiczak et al. D9/305
D. 317,254 6/1991 Dembiczak et al. D9/305
D. 333,088 2/1993 Beck et al. D9/305

1 Claim, 3 Drawing Sheets

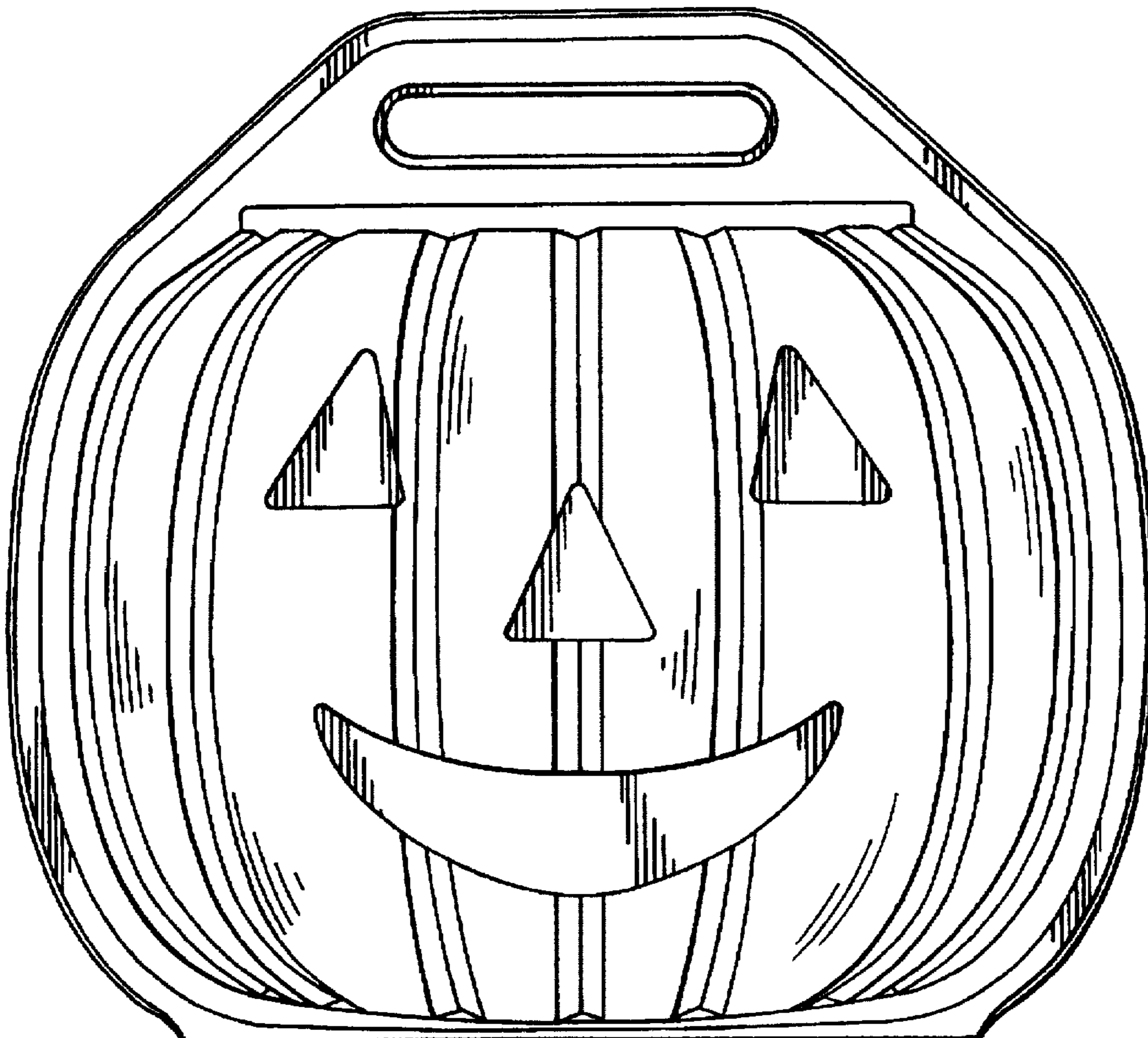


FIG. 1

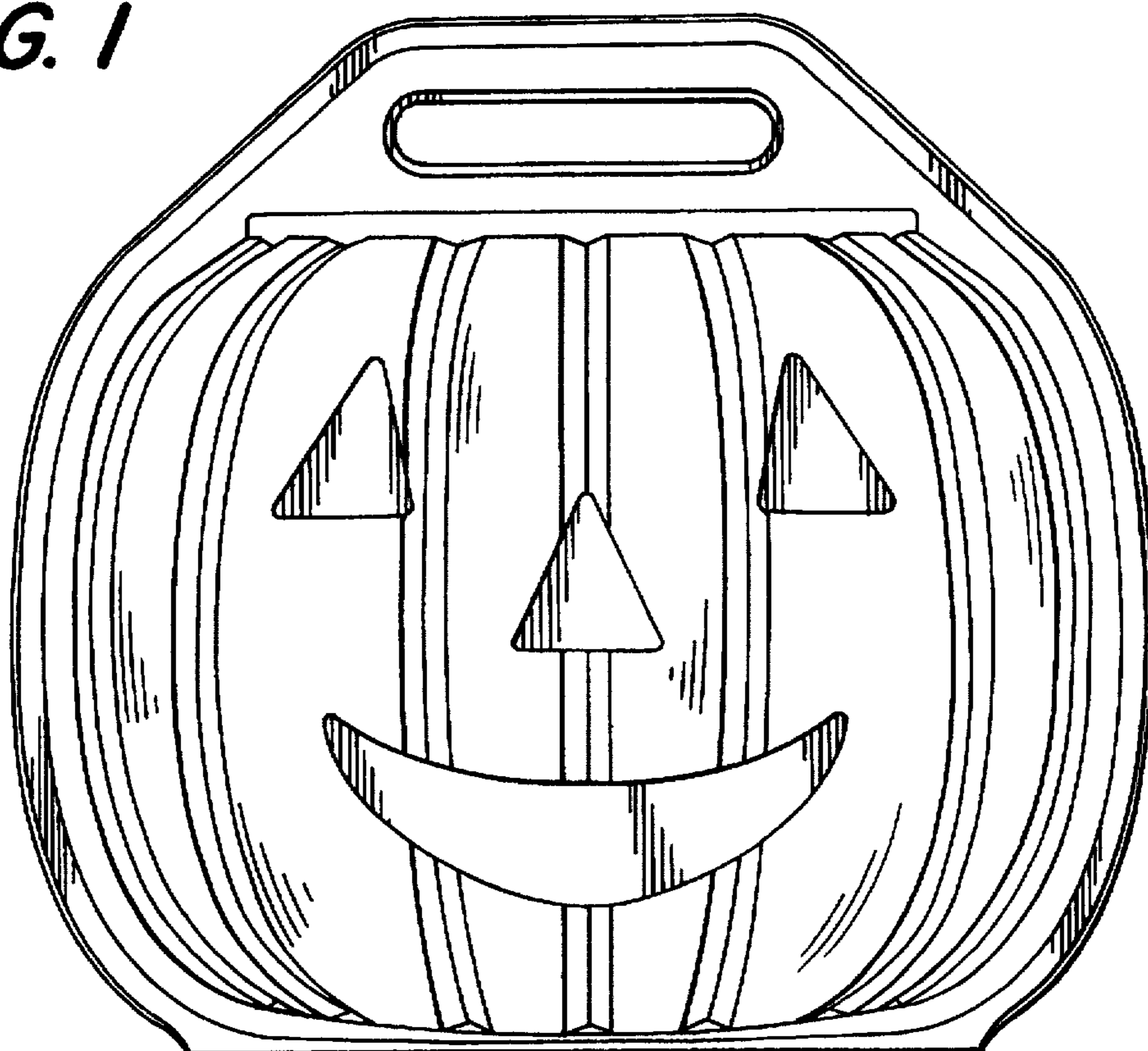


FIG. 2

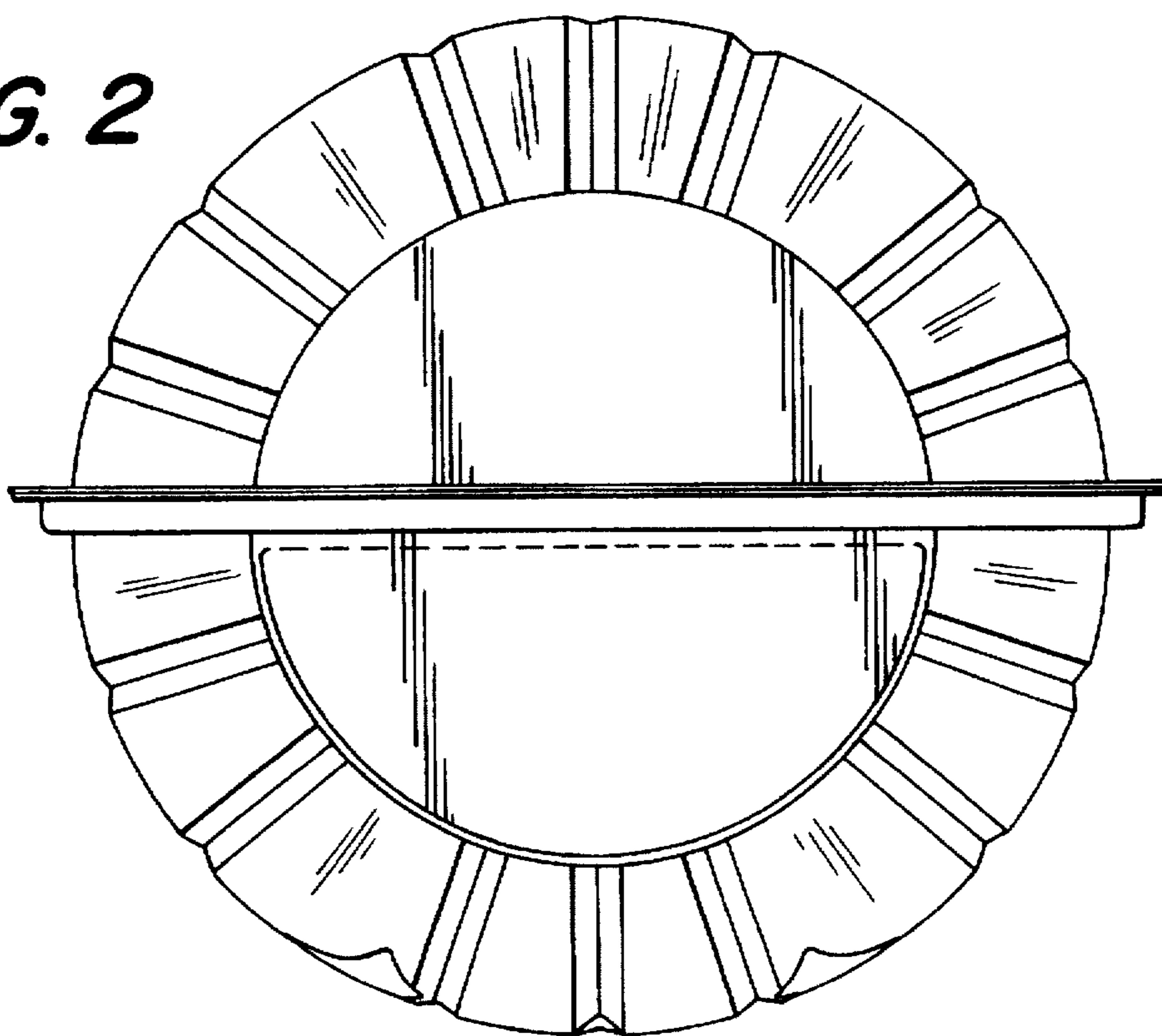


FIG. 3

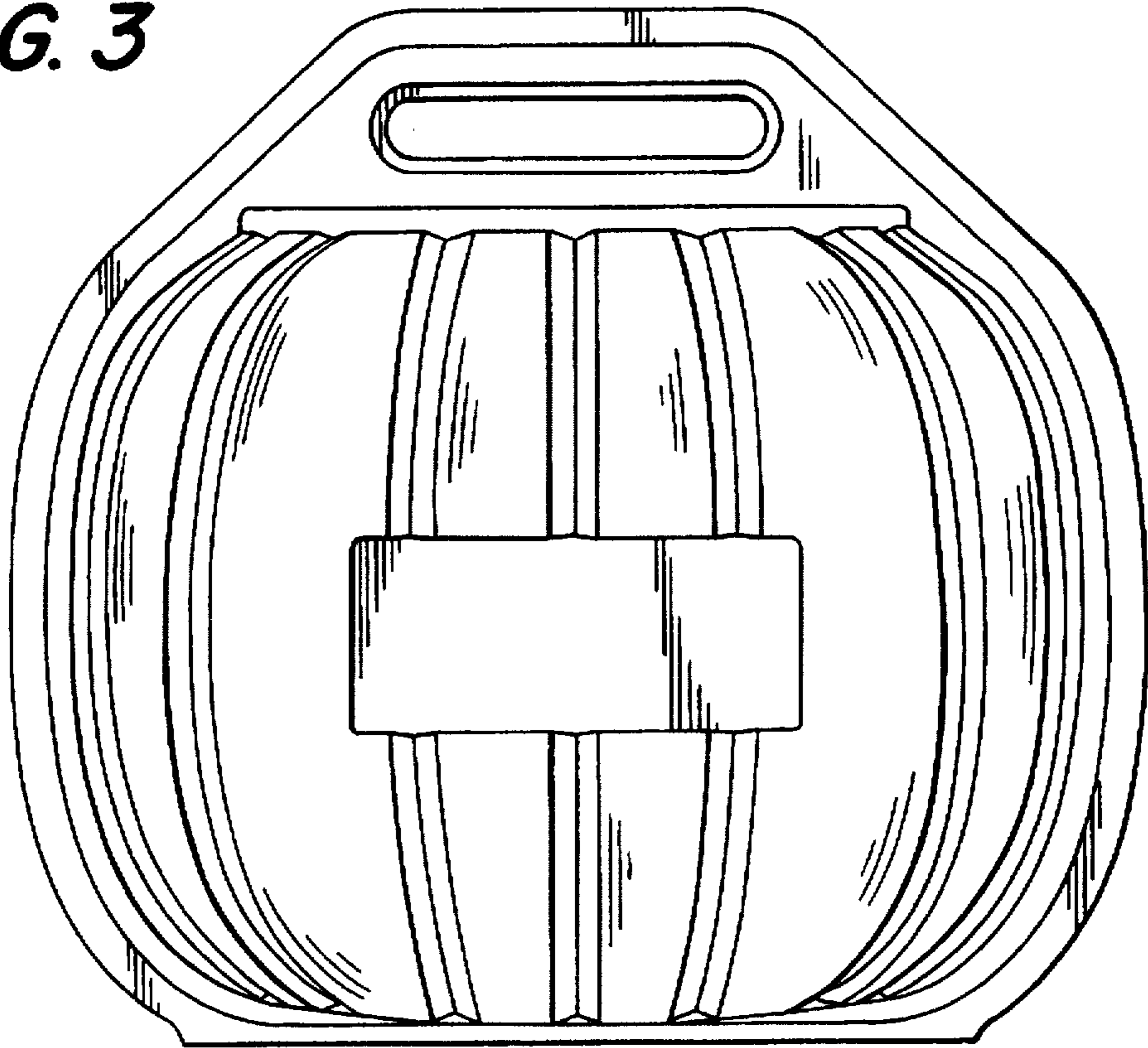


FIG. 4

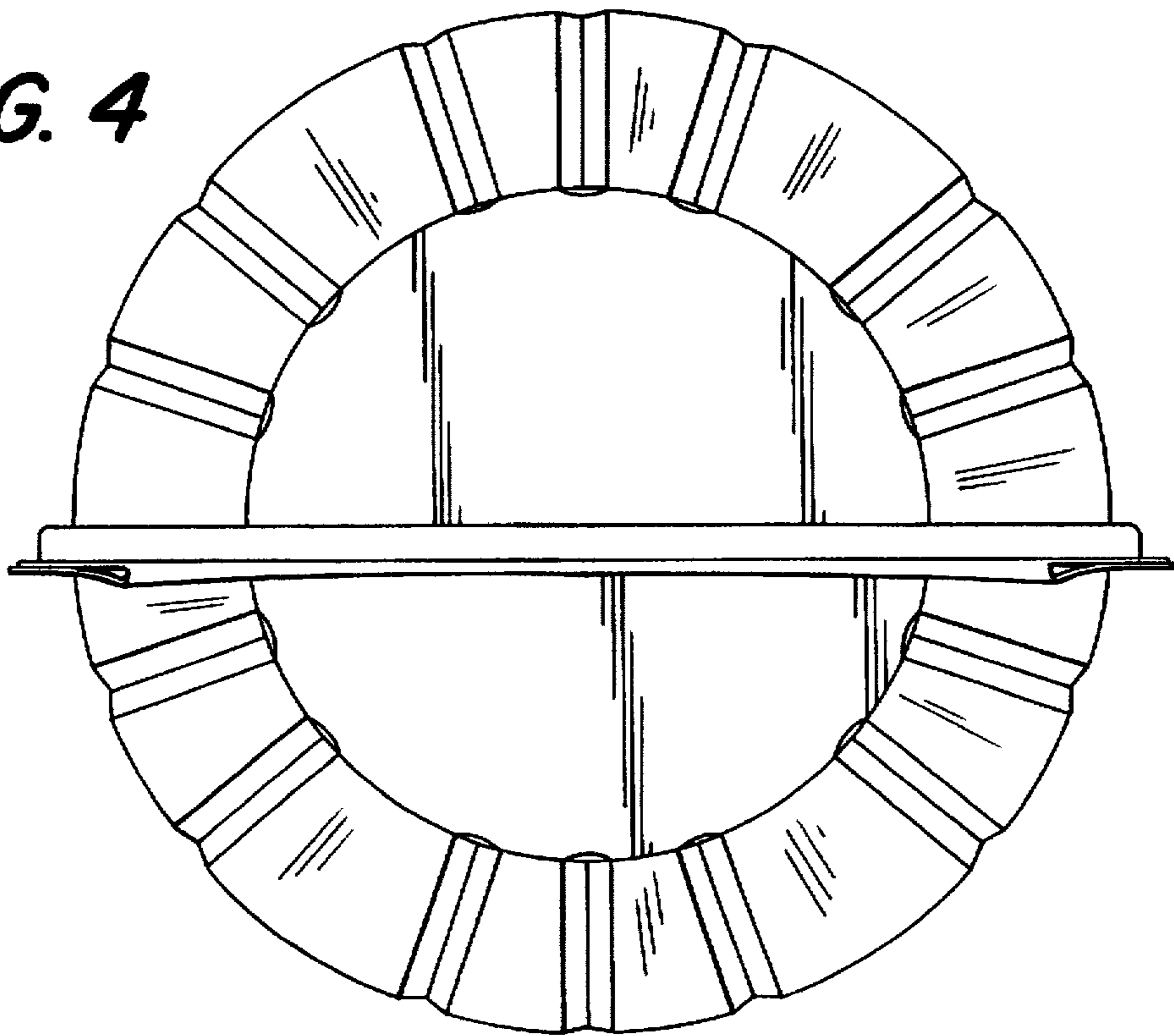


FIG. 5

