



US00D391150S

United States Patent [19]

Anderson

[11] Patent Number: **Des. 391,150**

[45] Date of Patent: ****Feb. 24, 1998**

[54] **CLAMP WITH A SLIDEABLE MEMBER**

[76] Inventor: **Carl E. Anderson**, 1011 Capouse Ave.,
Scranton, Pa. 18509

[**] Term: **14 Years**

[21] Appl. No.: **68,362**

[22] Filed: **Apr. 8, 1997**

[51] LOC (6) Cl. **08-08**

[52] U.S. Cl. **D8/394**

[58] Field of Search D8/394; 248/214,
248/229.12, 228.3, 298.1; 182/113

[56] **References Cited**

U.S. PATENT DOCUMENTS

D. 196,142	8/1963	Storm	D8/394
1,473,504	11/1923	Neely	248/228.3
3,469,810	9/1969	Dorris	248/228.3
3,955,788	5/1976	Delage	248/298.1
4,856,616	8/1989	Anderson	.	
4,869,343	9/1989	Anderson	.	
4,984,654	1/1991	Anderson	.	
5,307,897	5/1994	Turner et al.	182/113

Primary Examiner—B. J. Bullock
Attorney, Agent, or Firm—Helfgott & Karas, P.C.

[57] **CLAIM**

The ornamental design for a clamp with a slideable member, as shown and described.

DESCRIPTION

FIG. 1 is a perspective view of a clamp with a slideable member in an upper position with the environment being shown in broken lines for illustrative purposes only which forms no part of the claimed design;

FIG. 2 is a perspective view of a clamp with a slideable member in an upper position;

FIG. 3 is a top view of the clamp shown in FIG. 2;

FIG. 4 is a back view of the clamp shown in FIG. 2;

FIG. 5 is a side view of the clamp shown in FIG. 2;

FIG. 6 is a front view of the clamp shown in FIG. 2;

FIG. 7 is a bottom view of the clamp shown in FIG. 2;

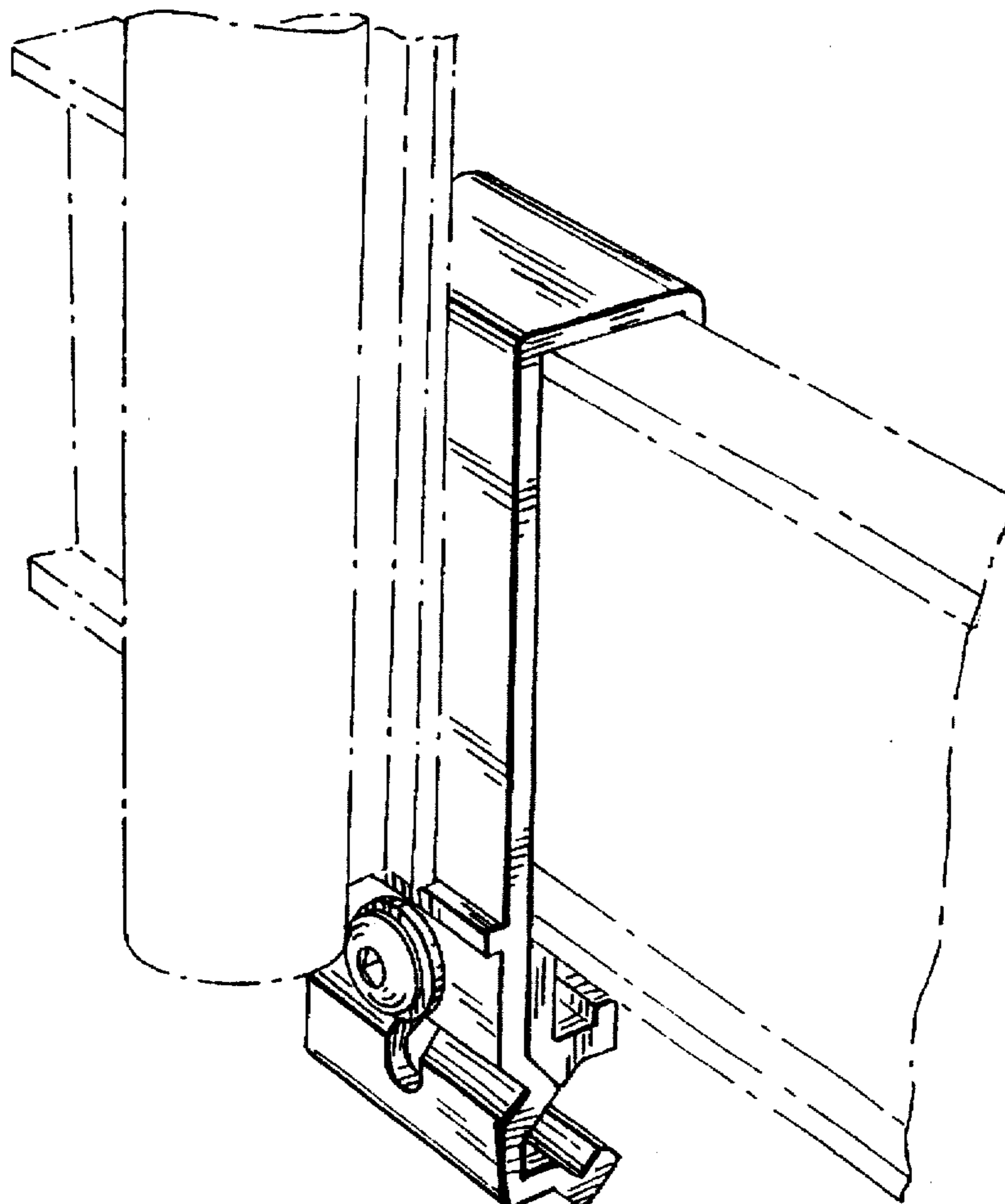
FIG. 8 is a perspective view of a clamp with a slideable member in a lower position;

FIG. 9 is a back view of the clamp shown in FIG. 8;

FIG. 10 is a side view of the clamp shown in FIG. 8; and

FIG. 11 is a front view of the clamp shown in FIG. 8.

1 Claim, 3 Drawing Sheets



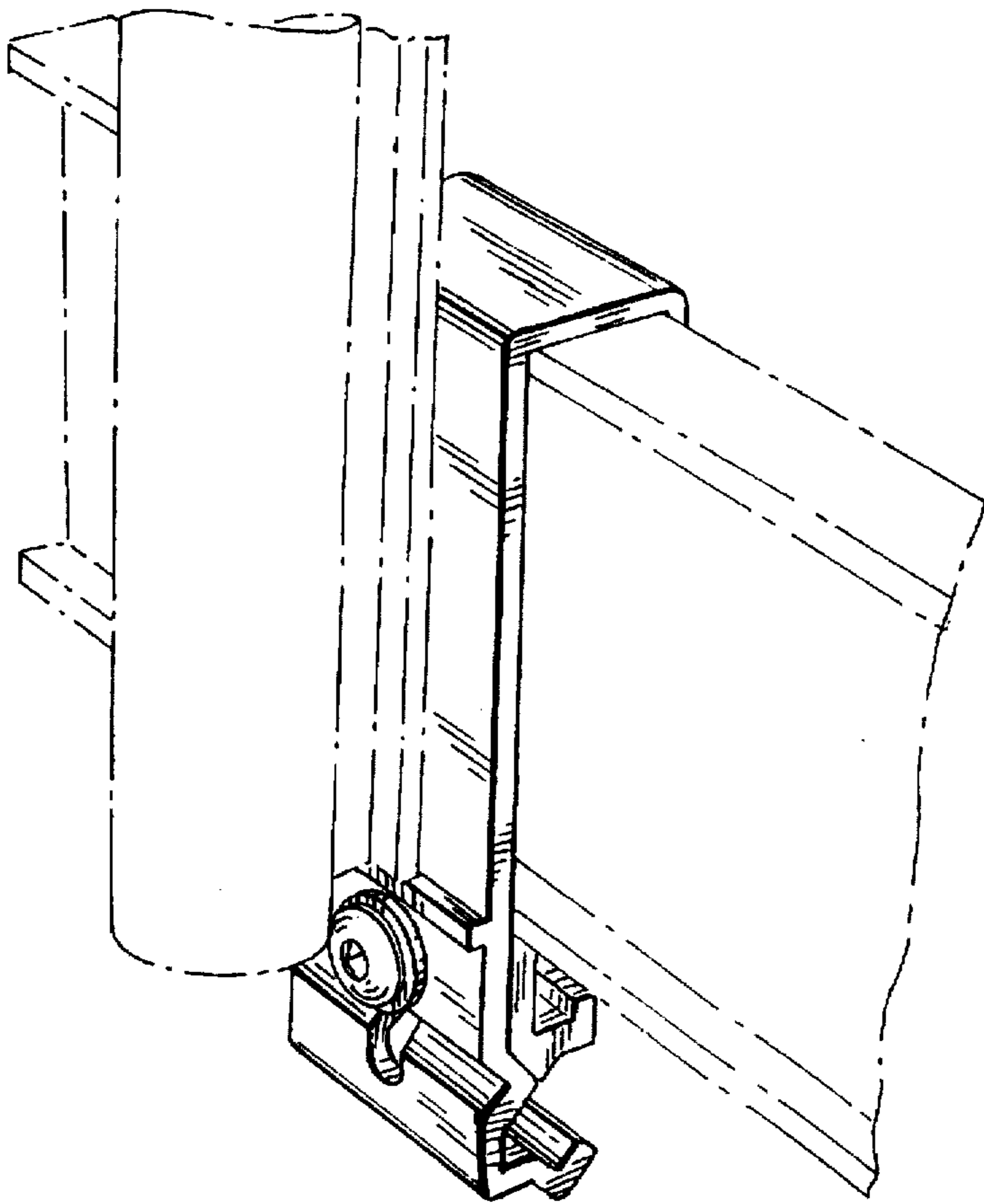


FIG. 1

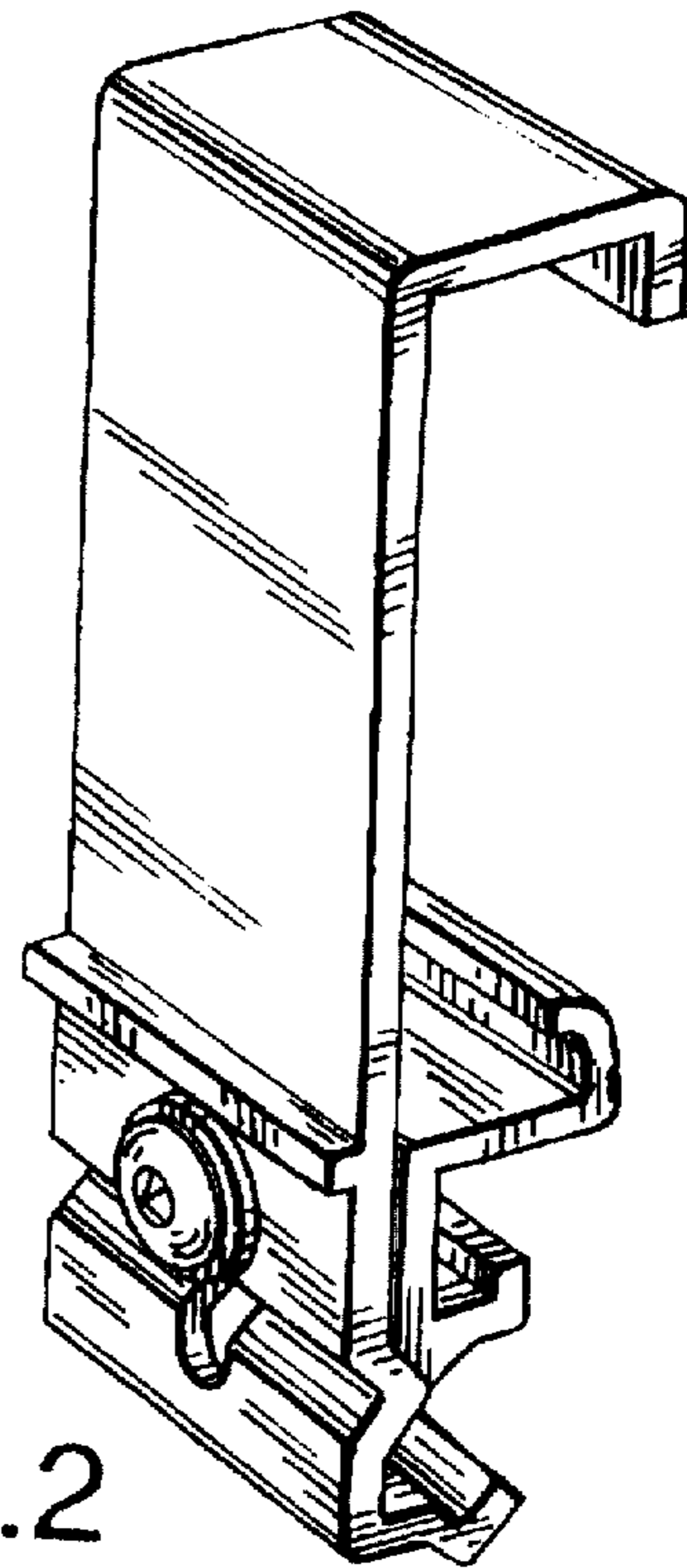


FIG. 2

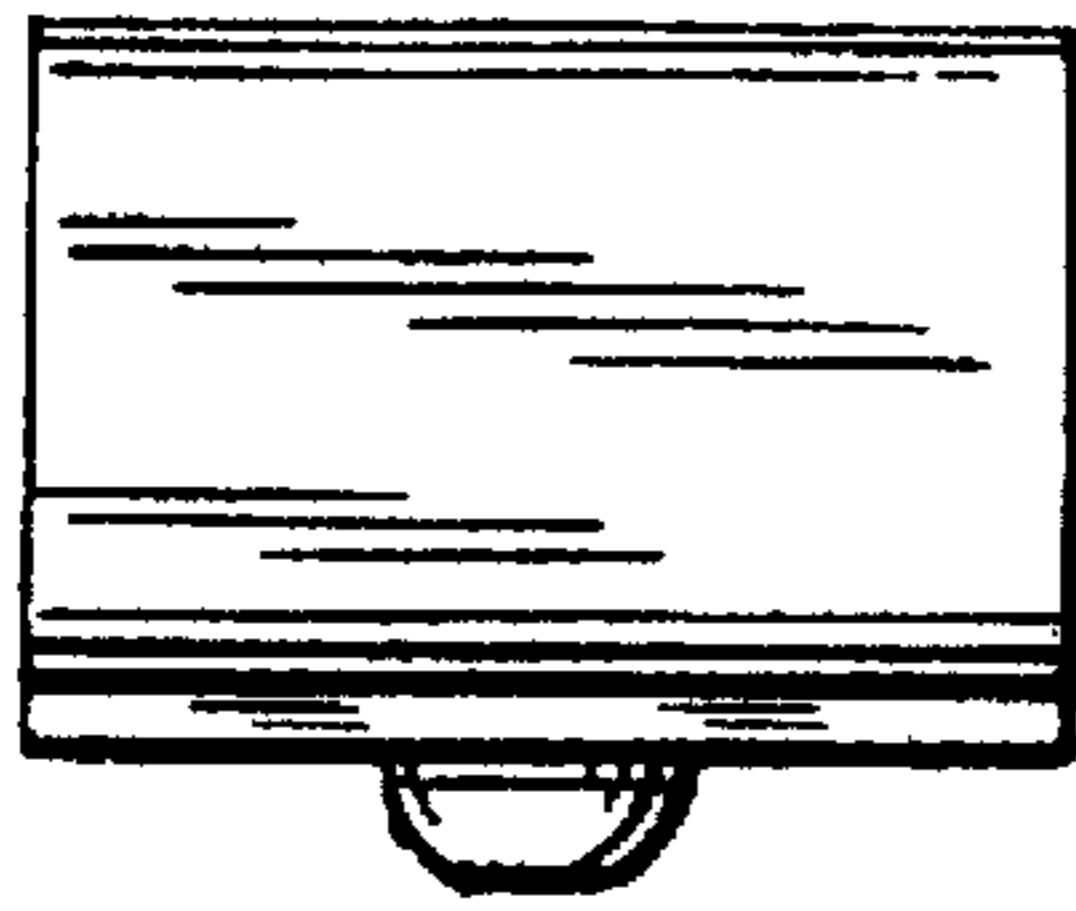


FIG. 3

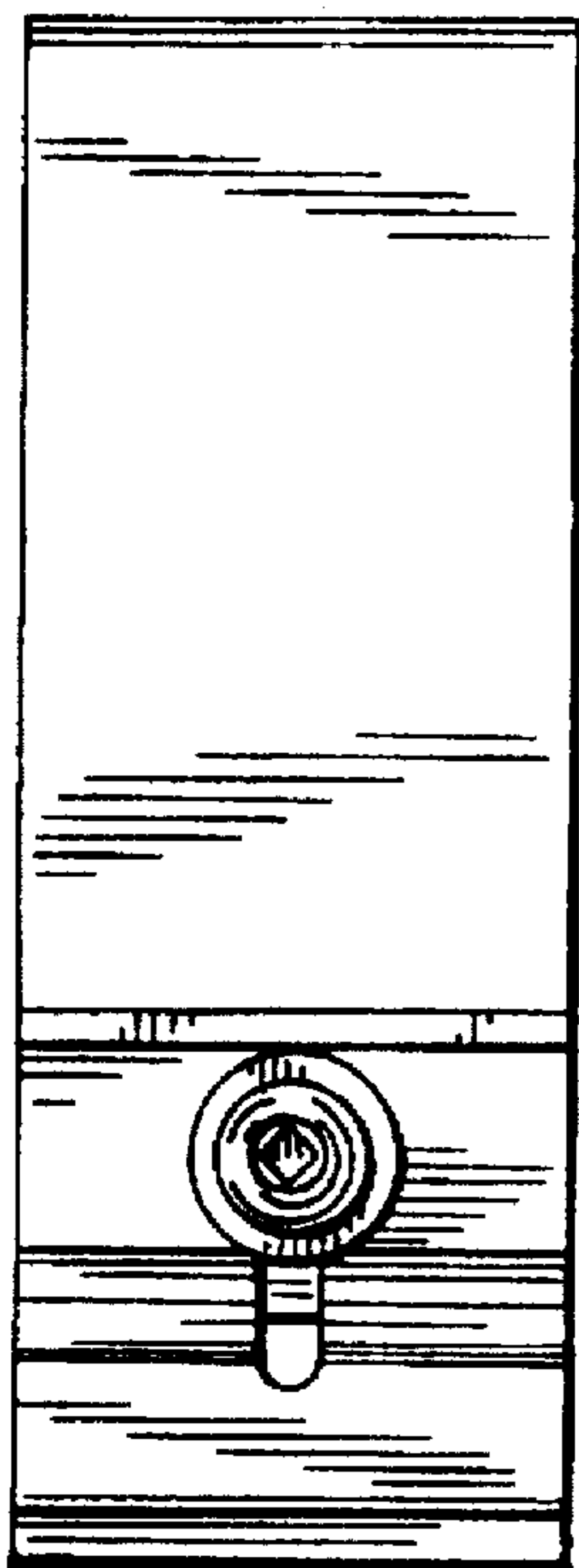


FIG. 4

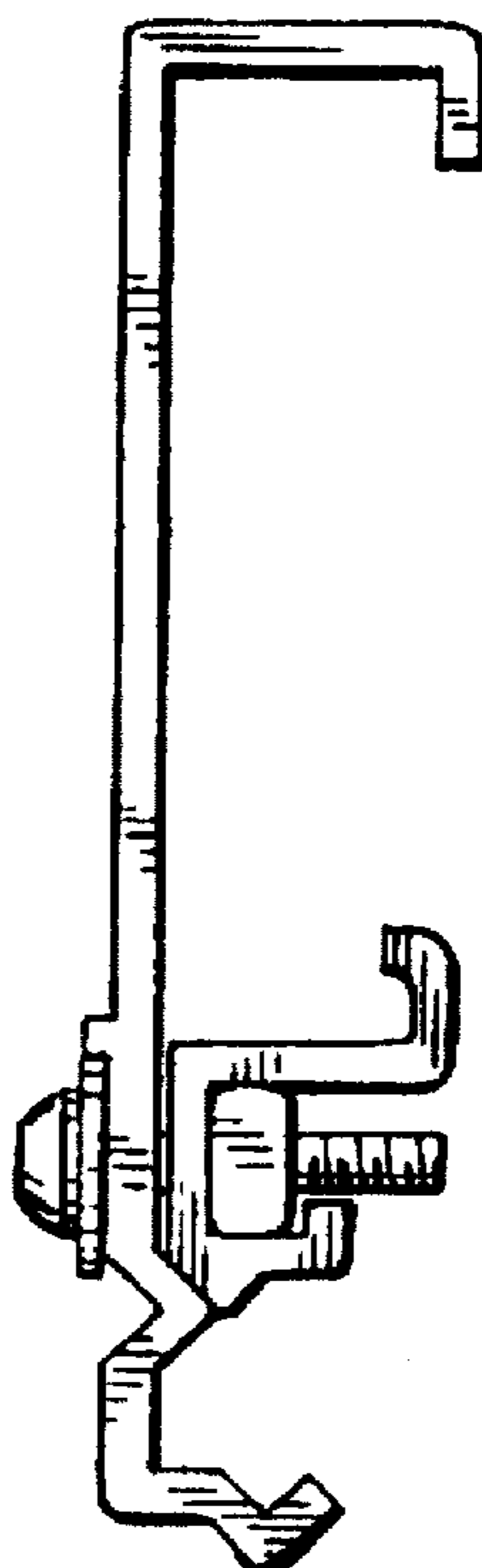


FIG. 5

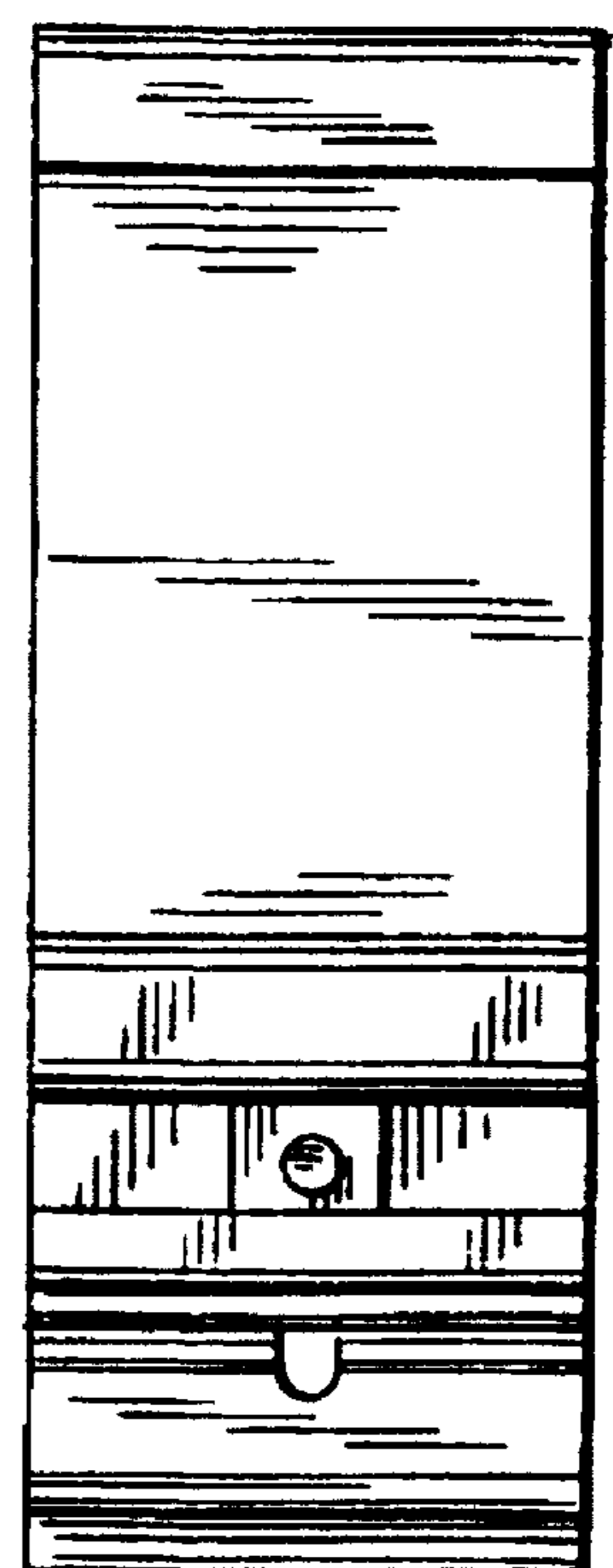


FIG. 6

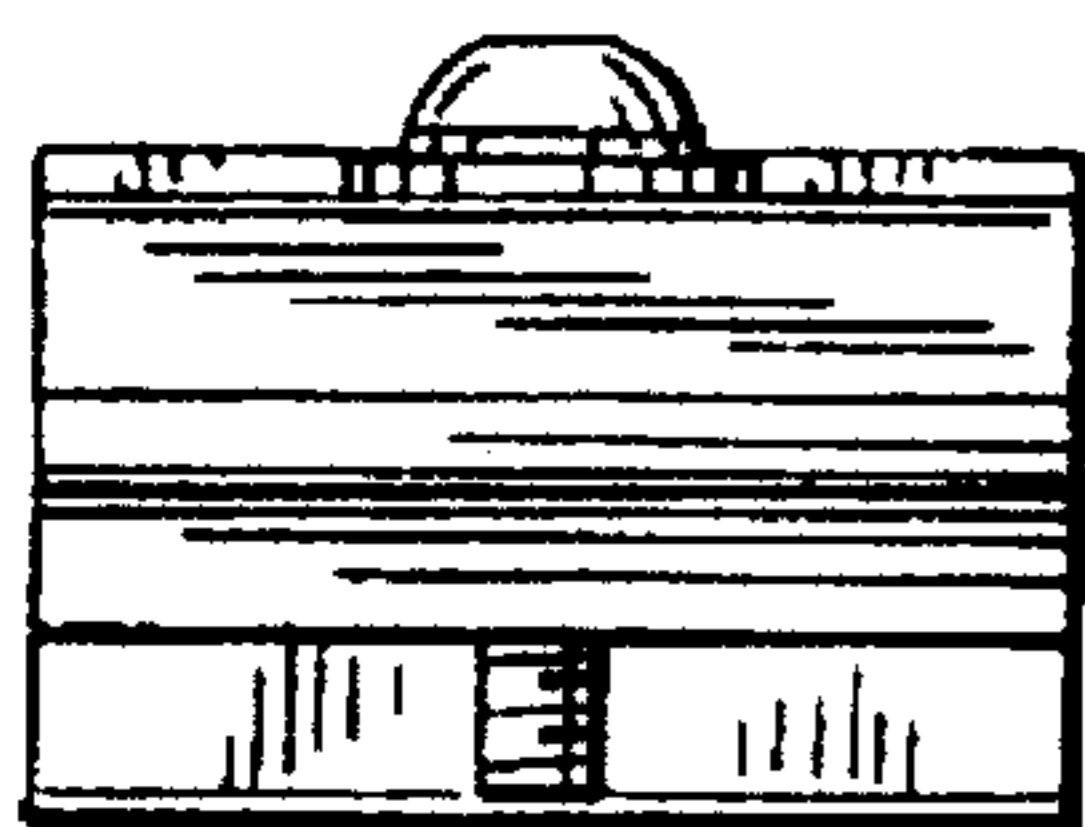


FIG. 7

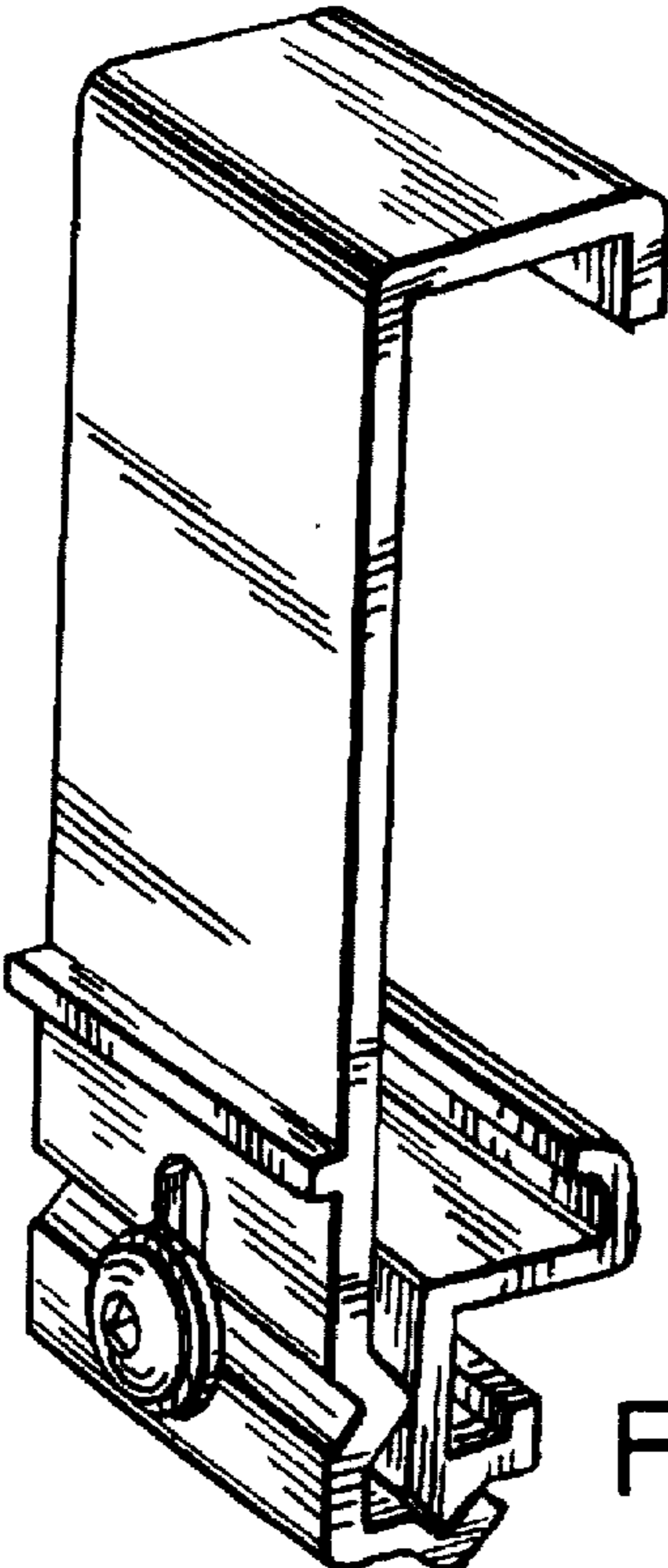


FIG. 8

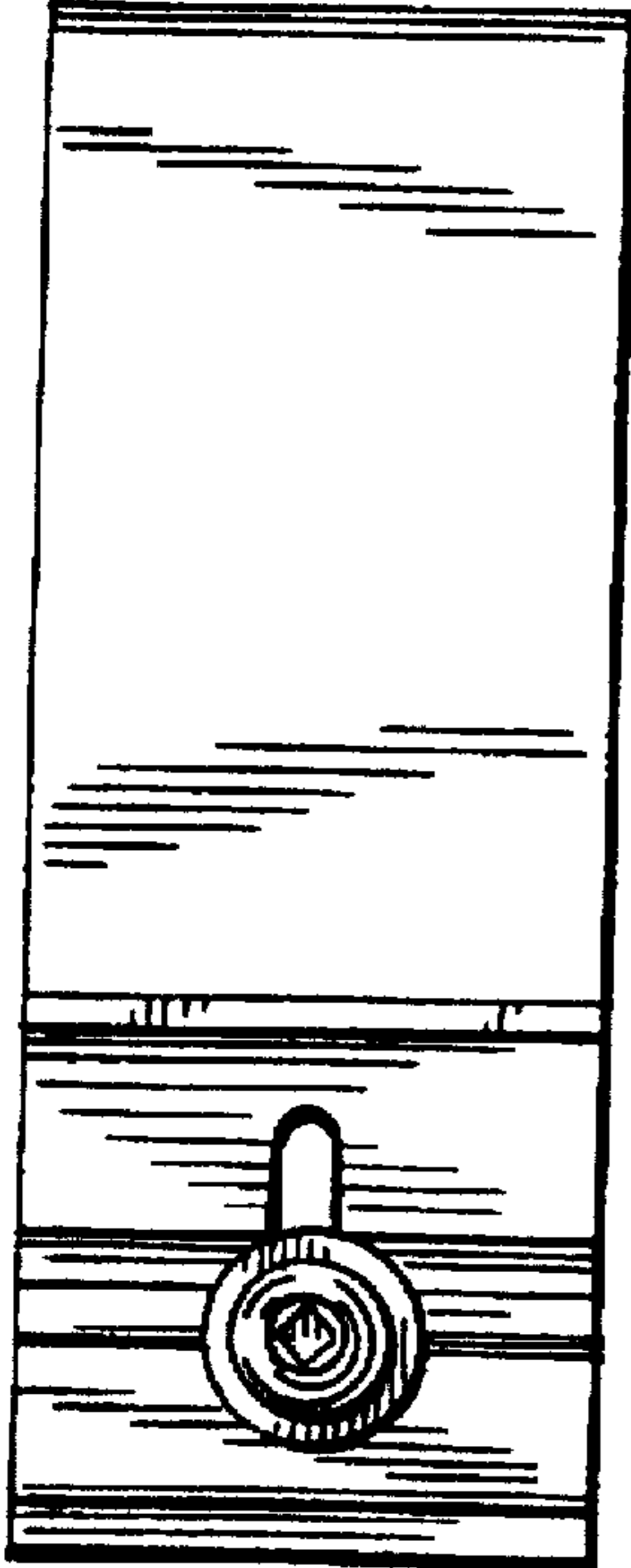


FIG. 9

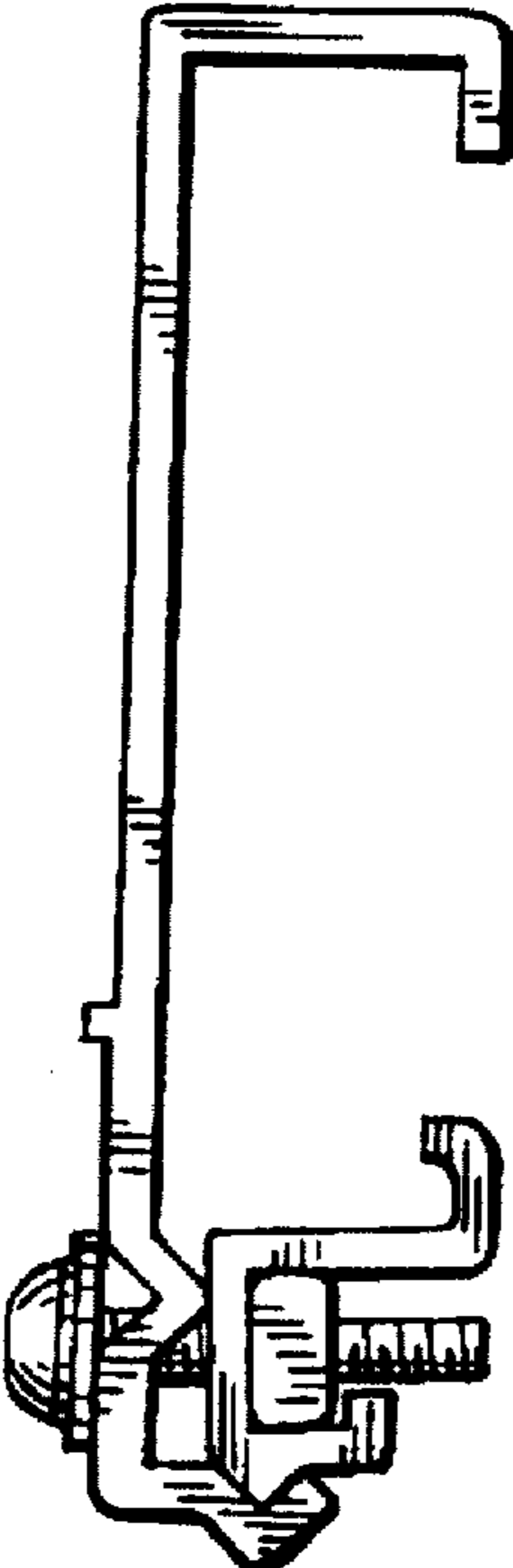


FIG. 10

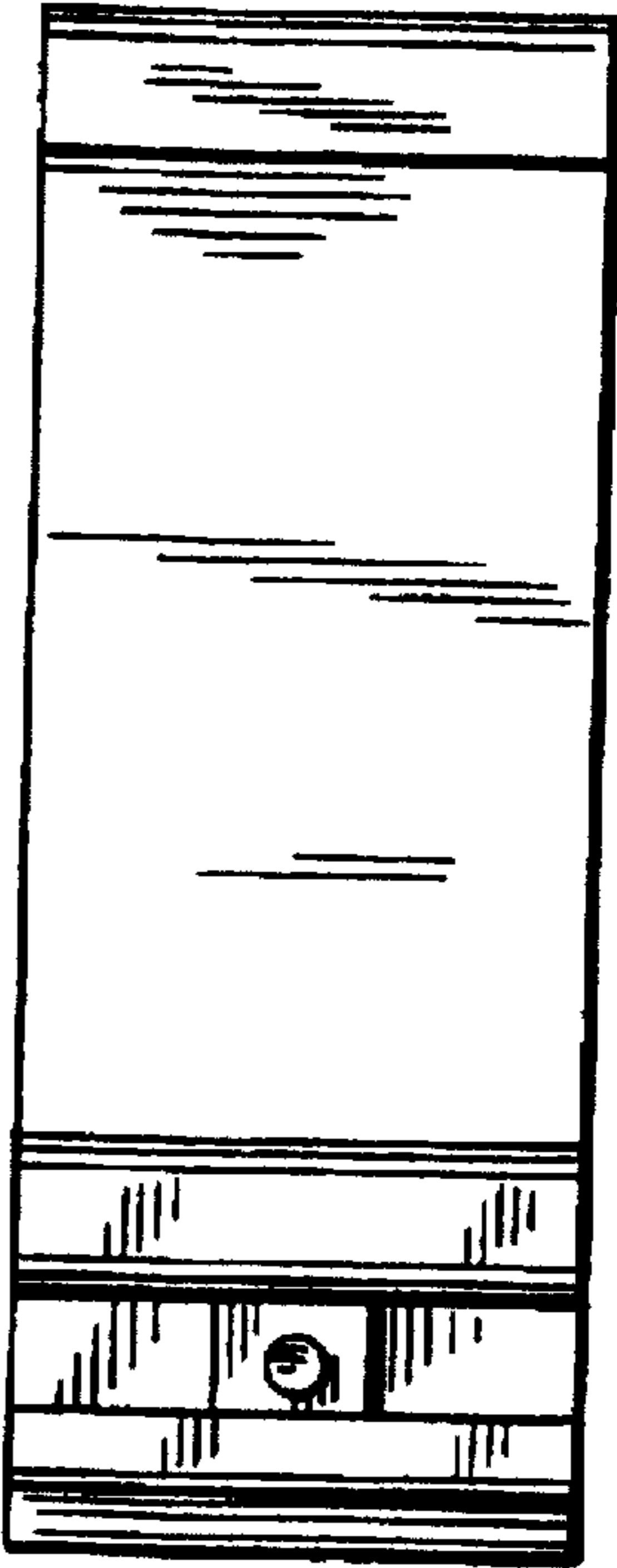


FIG. 11