



US00D391148S

United States Patent [19]
Rosen

[11] **Patent Number:** **Des. 391,148**

[45] **Date of Patent:** ****Feb. 24, 1998**

[54] **MONITOR SUPPORT ARM**
[75] **Inventor:** **John B. Rosen**, Eugene, Oreg.
[73] **Assignee:** **Advanced Multimedia Products Corporation**, Eugene, Oreg.
[**] **Term:** **14 Years**
[21] **Appl. No.:** **70,502**
[22] **Filed:** **May 8, 1997**
[51] **LOC (6) Cl.** **08-05**
[52] **U.S. Cl.** **D8/380; D14/114**
[58] **Field of Search** **D14/114; D8/355, D8/373, 380, 363; D6/567, 574; 248/286.1, 181.2, 276.1, 921**

5,177,616 1/1993 Riday .
5,179,447 1/1993 Lain .
5,195,709 3/1993 Yasuski .
5,222,780 6/1993 Reh et al. .
5,271,590 12/1993 Rosen .
5,553,820 9/1996 Karten et al. 248/286.1

Primary Examiner—M. H. Tung
Attorney, Agent, or Firm—Kolisch, Hartwell, Dickinson, McCormack & Heuser

[57] **CLAIM**

The ornamental design for a monitor support arm, as shown and described.

DESCRIPTION

FIG. 1 is an isometric view of a monitor support arm; FIG. 2 is a front elevational view of the monitor support arm shown in FIG. 1; FIG. 3 is a rear elevational view thereof; FIG. 4 is a right-side view thereof; FIG. 5 is a left-side view thereof; FIG. 6 is a top plan view thereof; and, FIG. 7 is a bottom plan view thereof. The broken line drawings of a mounting bracket in FIG. 1, and a monitor in FIGS. 1-5 are for illustrative purposes only and form no part of the claimed design.

[56] **References Cited**
U.S. PATENT DOCUMENTS
D. 292,264 10/1987 Staufenberg et al. D8/380
D. 325,868 5/1992 Bartok D8/380
D. 331,921 12/1992 Gutke et al. D14/114
D. 340,235 10/1993 Robak et al. .
D. 360,126 7/1995 Rosen .
D. 366,254 1/1996 Lynch et al. D14/114
D. 367,477 2/1996 Rosen .
5,076,524 12/1991 Reh et al. .

1 Claim, 2 Drawing Sheets

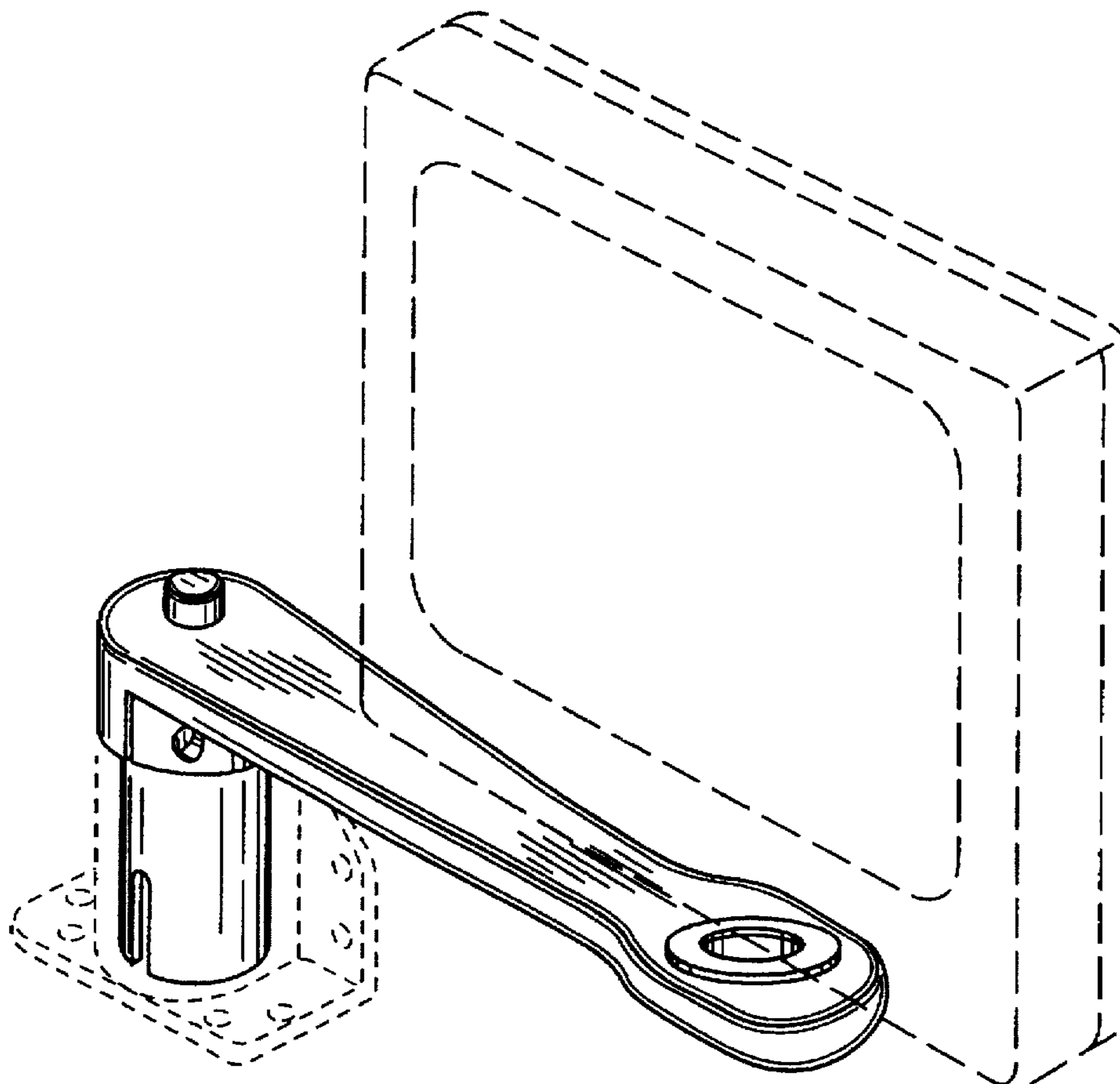


FIG. 1

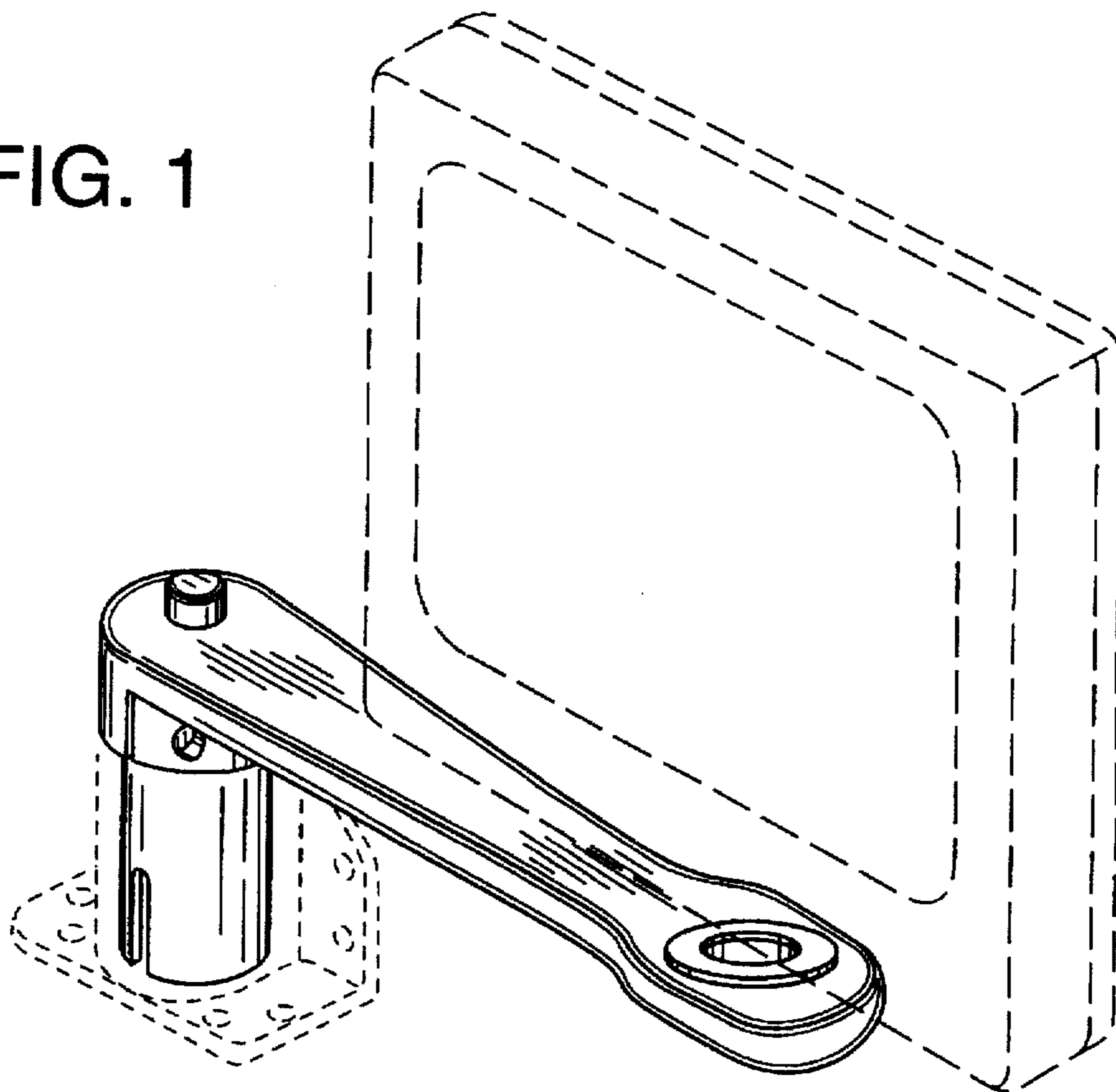


FIG. 2

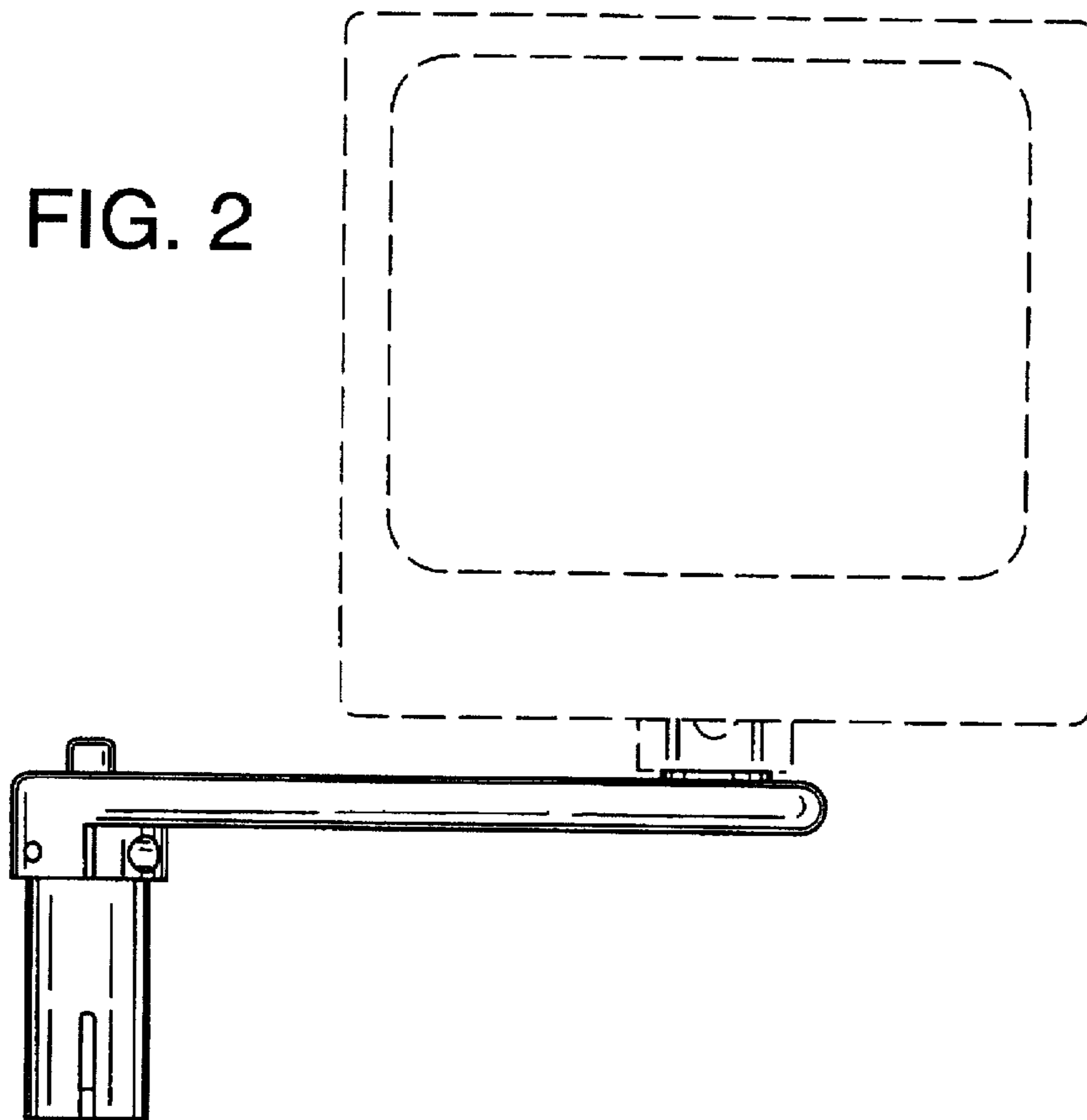


FIG. 6

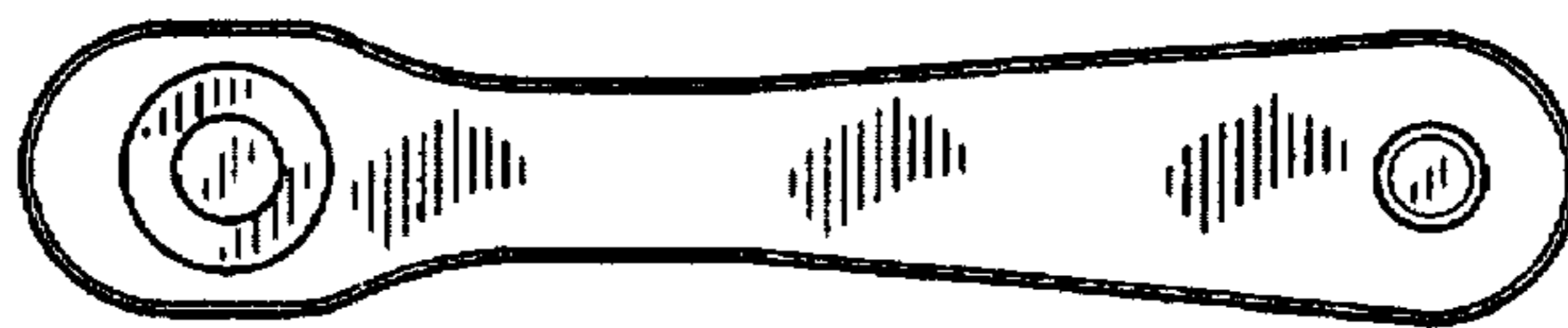


FIG. 4



FIG. 5

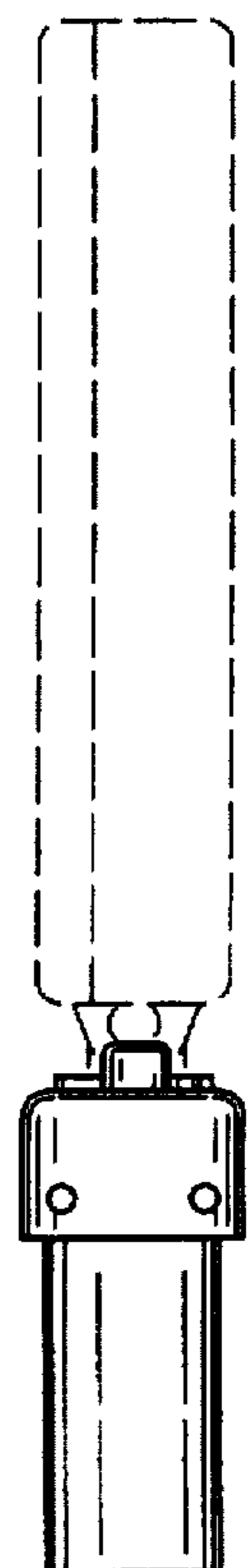


FIG. 3

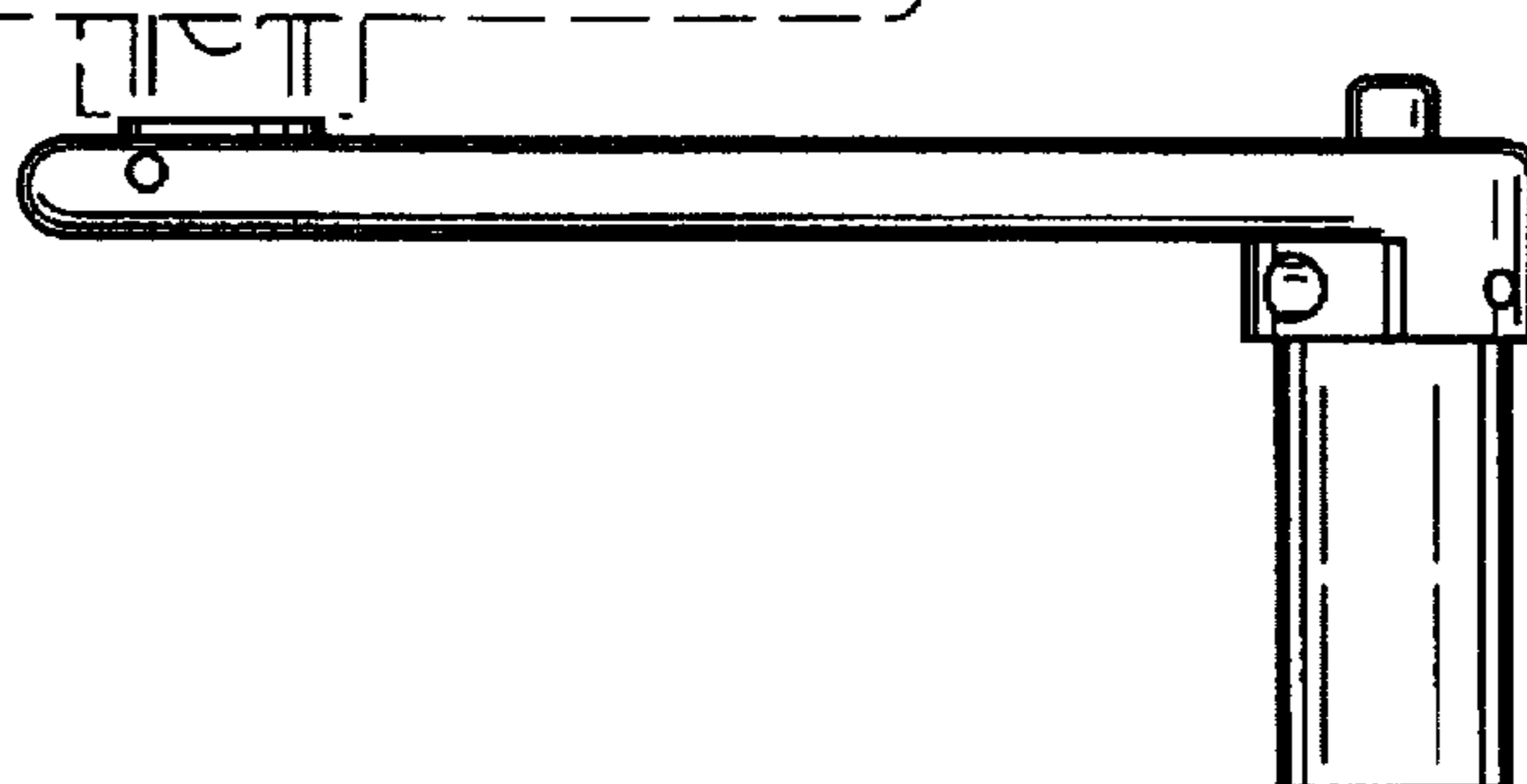


FIG. 7

