



US00D391144S

**United States Patent** [19]  
**Liang**

[11] **Patent Number: Des. 391,144**

[45] **Date of Patent: \*\*Feb. 24, 1998**

[54] **SHIELD FOR A HOOK MEMBER**

[76] **Inventor: Chien Su Liang**, No. 13, Avenue 1,  
Lane 225, Tai Ping Road, Tai Ping City,  
Taichung Hsien, Taiwan

[\*\*] **Term: 14 Years**

[21] **Appl. No.: 65,081**

[22] **Filed: Jan. 21, 1997**

[51] **LOC (6) Cl. .... 08-05**

[52] **U.S. Cl. .... D8/367**

[58] **Field of Search .... D8/367, 373; 248/301,**  
248/304, 489, 493, 497-498

[56] **References Cited**

**U.S. PATENT DOCUMENTS**

D. 250,994	2/1979	Chasen	.....	D8/367
3,658,781	4/1972	Webster	.....	248/497
3,911,516	10/1975	Einhorn	.....	248/497 X

*Primary Examiner*—Holly Baynham  
*Attorney, Agent, or Firm*—Charles E. Baxley, Esq.

[57] **CLAIM**

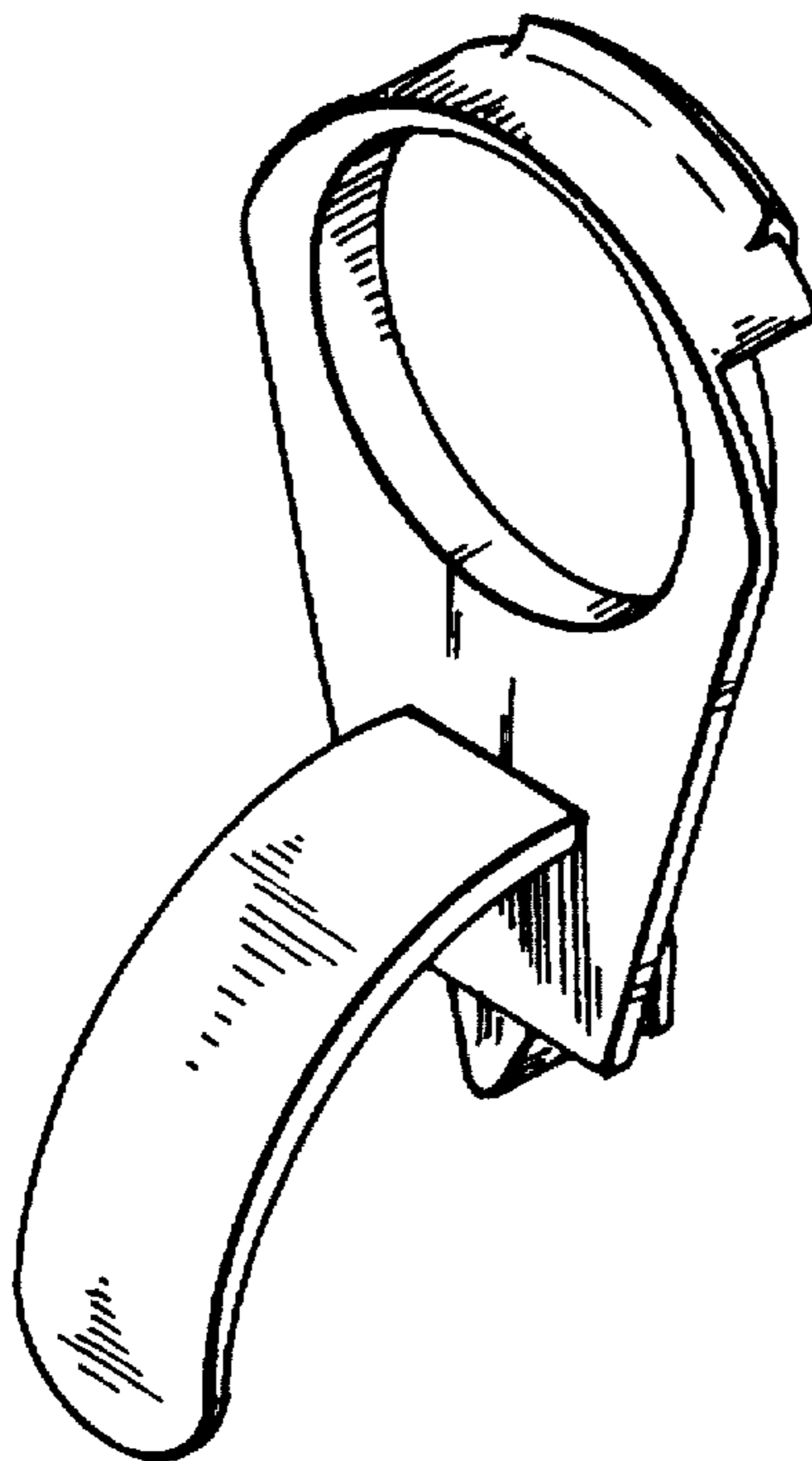
The ornamental design for a shield for a hook member, as shown and described.

**DESCRIPTION**

FIG. 1 is a perspective view of a shield for a hook member showing my new design;  
FIG. 2 is a front elevational view thereof;  
FIG. 3 is a rear elevational view thereof;  
FIG. 4 is a top plan view thereof;  
FIG. 5 is a bottom plan view thereof;  
FIG. 6 is a left side elevational view thereof;  
FIG. 7 is a right side elevational view thereof; and,  
FIG. 8 is a perspective view embodying the utilization of my new design.

The broken line showing of a hook is for illustrative purposes only and forms no part of the claimed design.

**1 Claim, 2 Drawing Sheets**



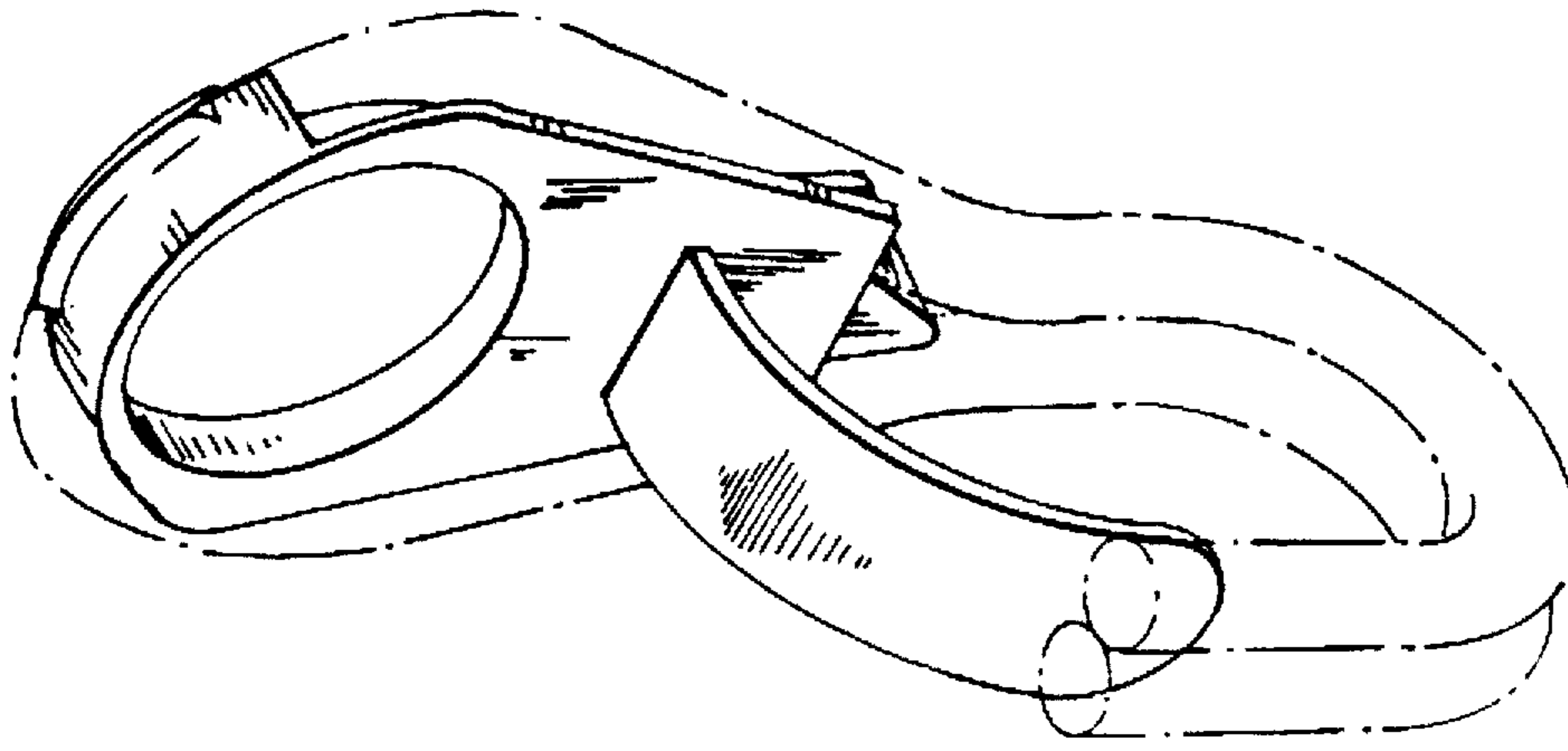


FIG. 8

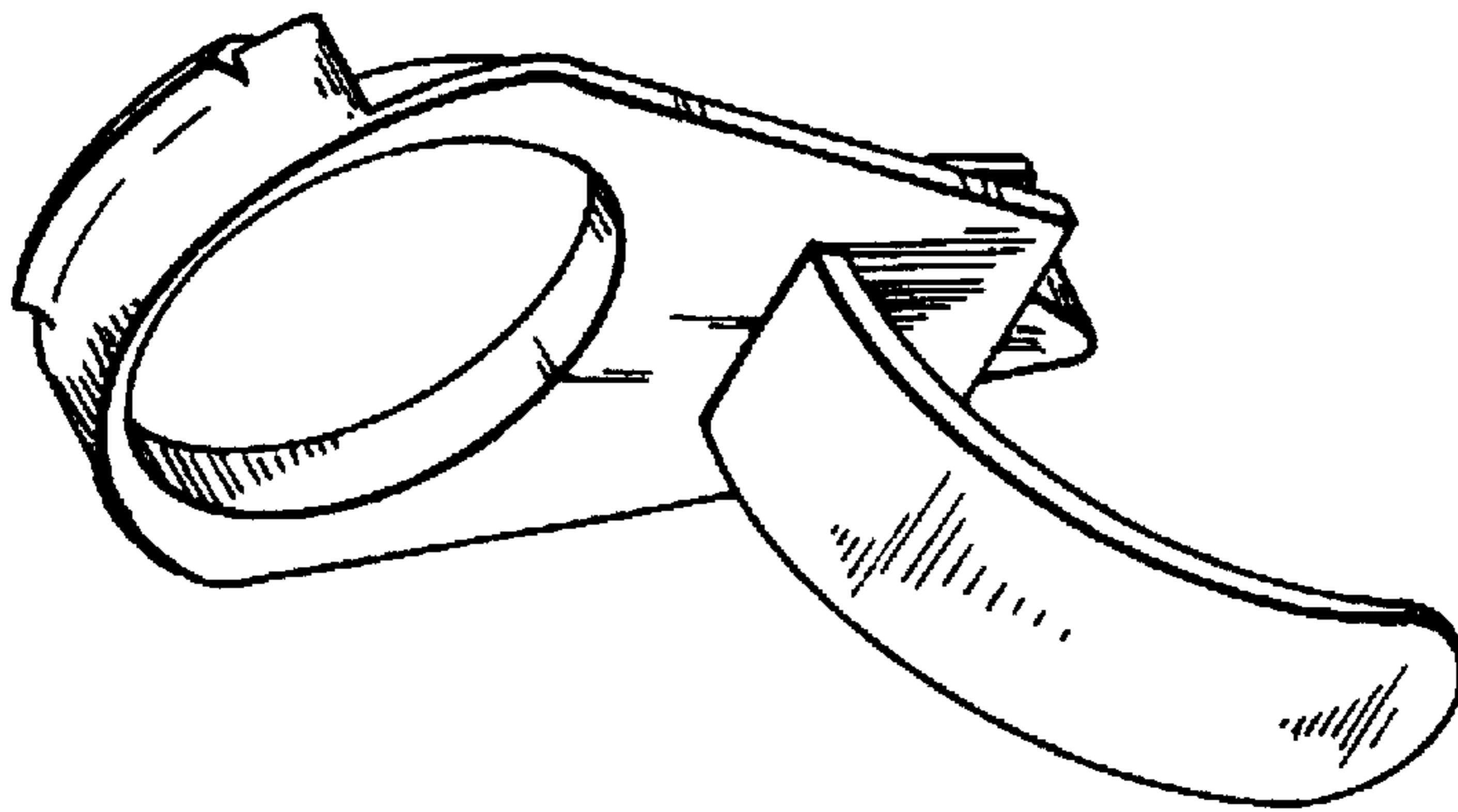


FIG. 1

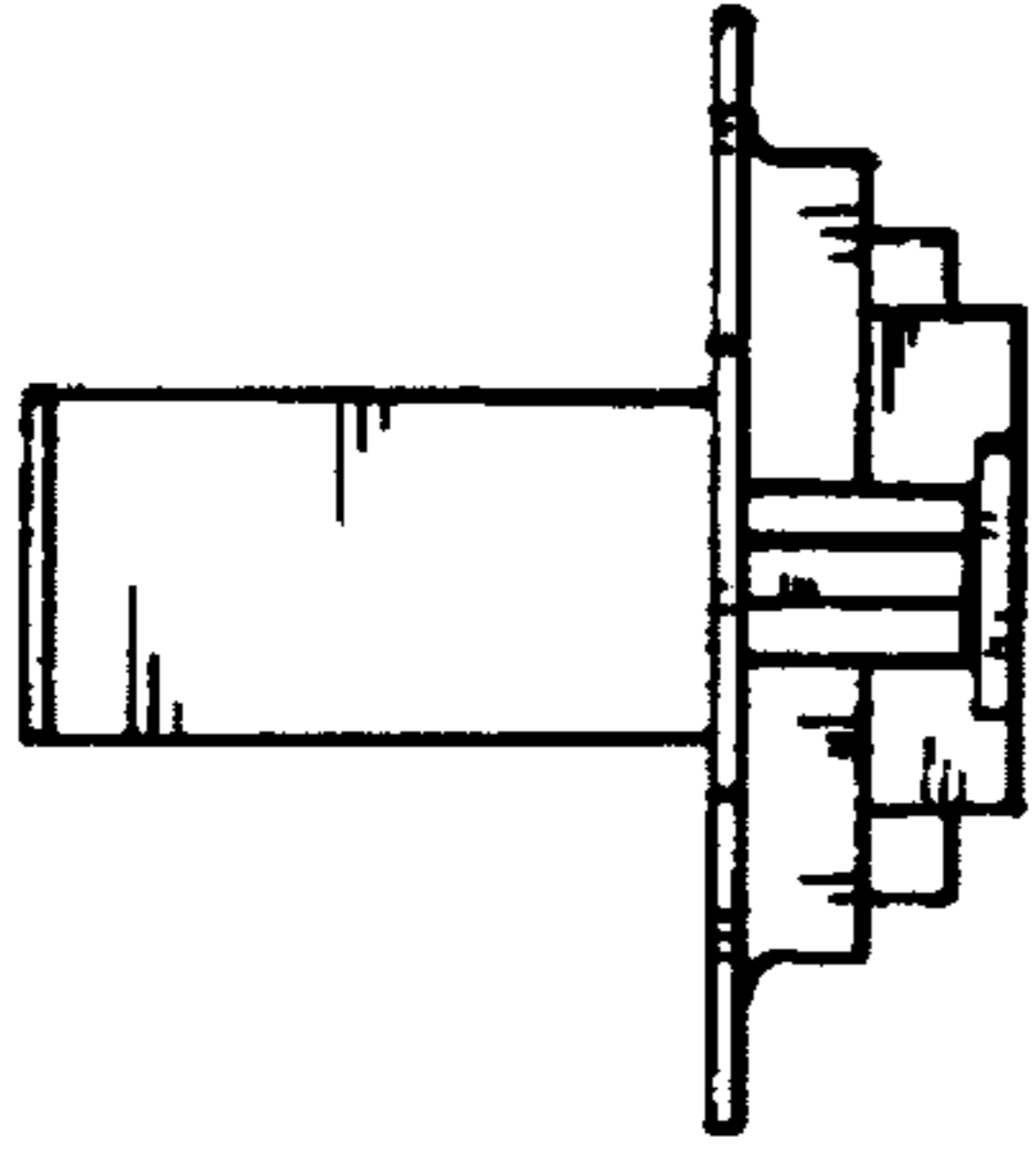


FIG. 5

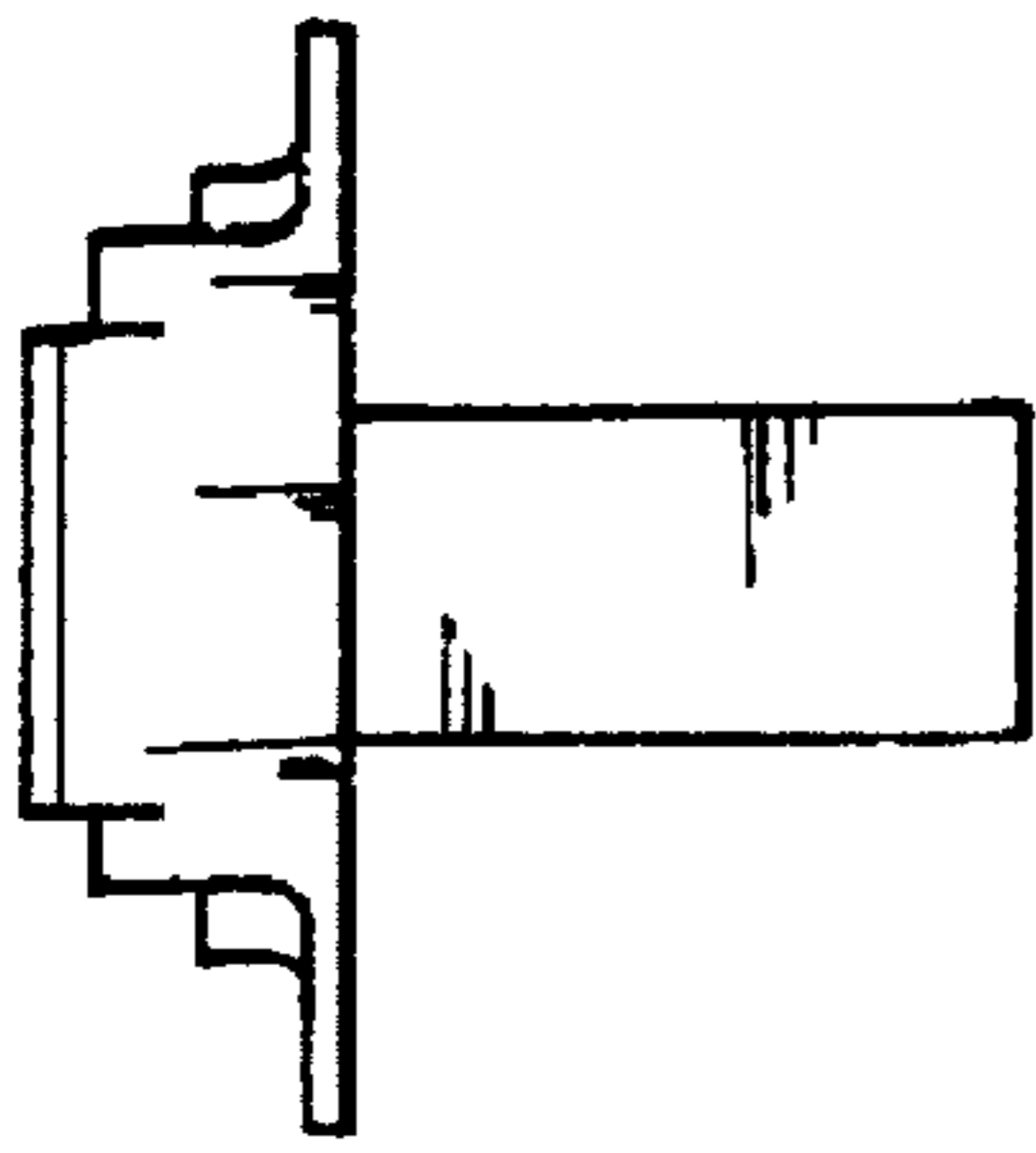


FIG. 4

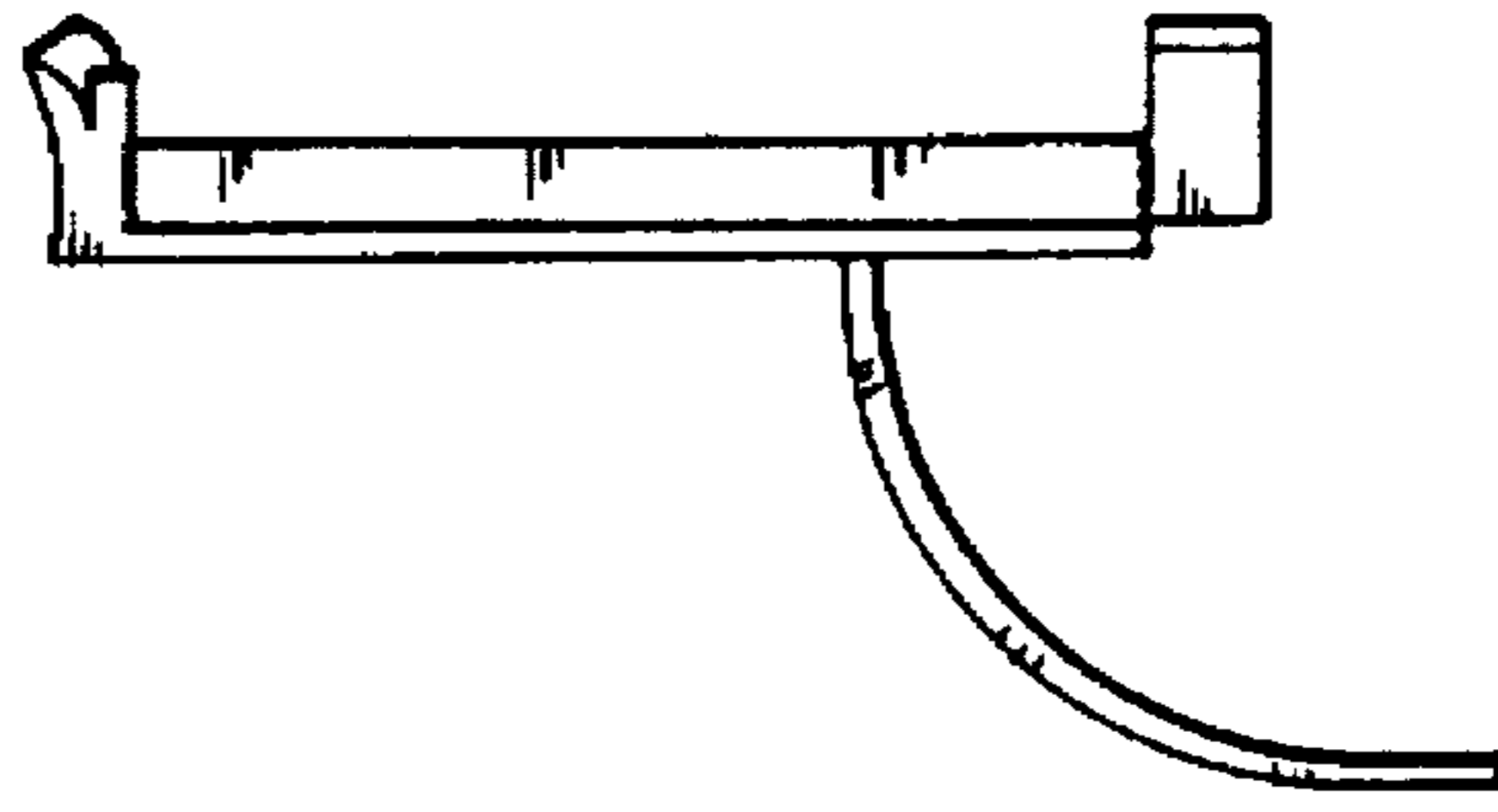


FIG. 7

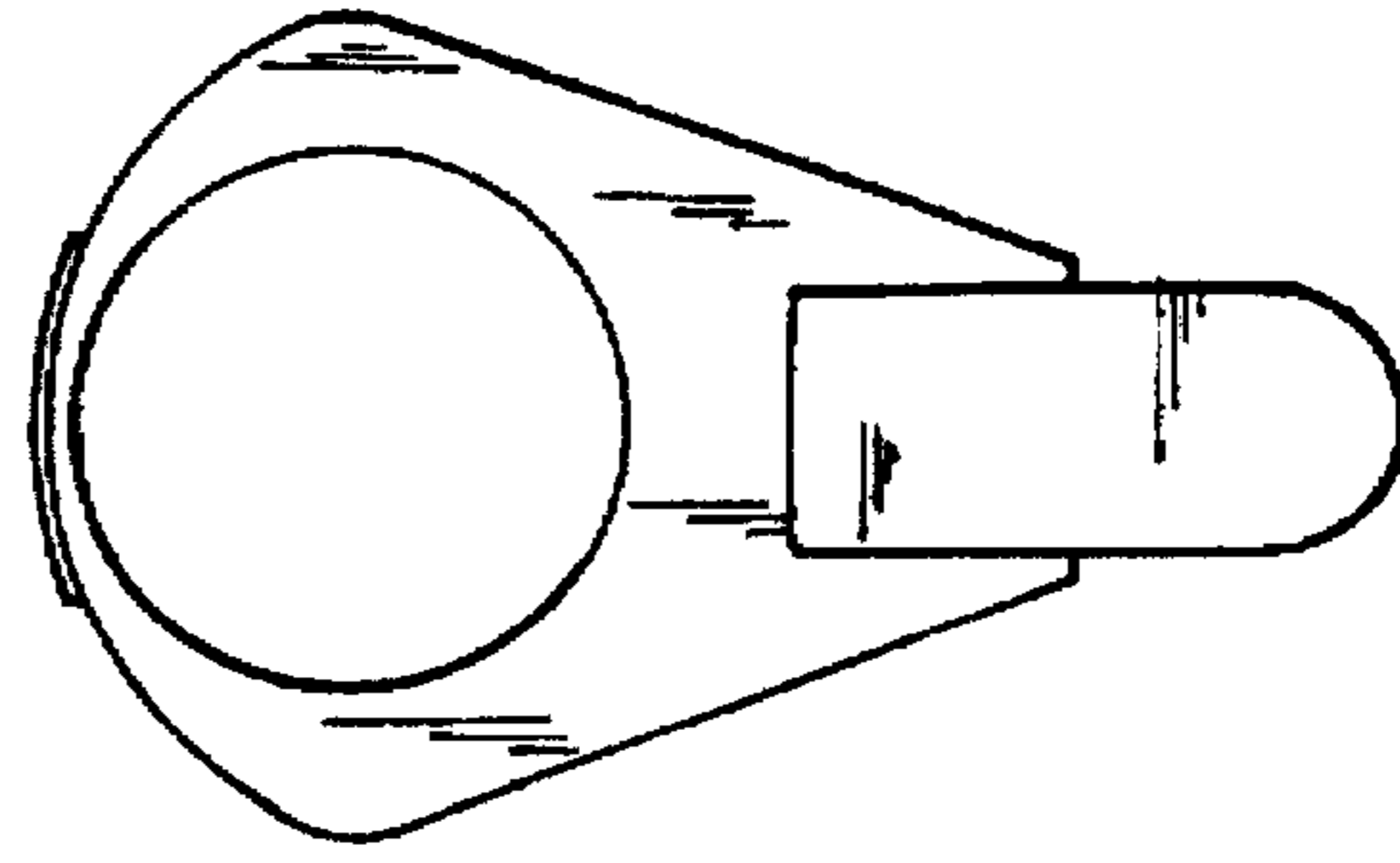


FIG. 6

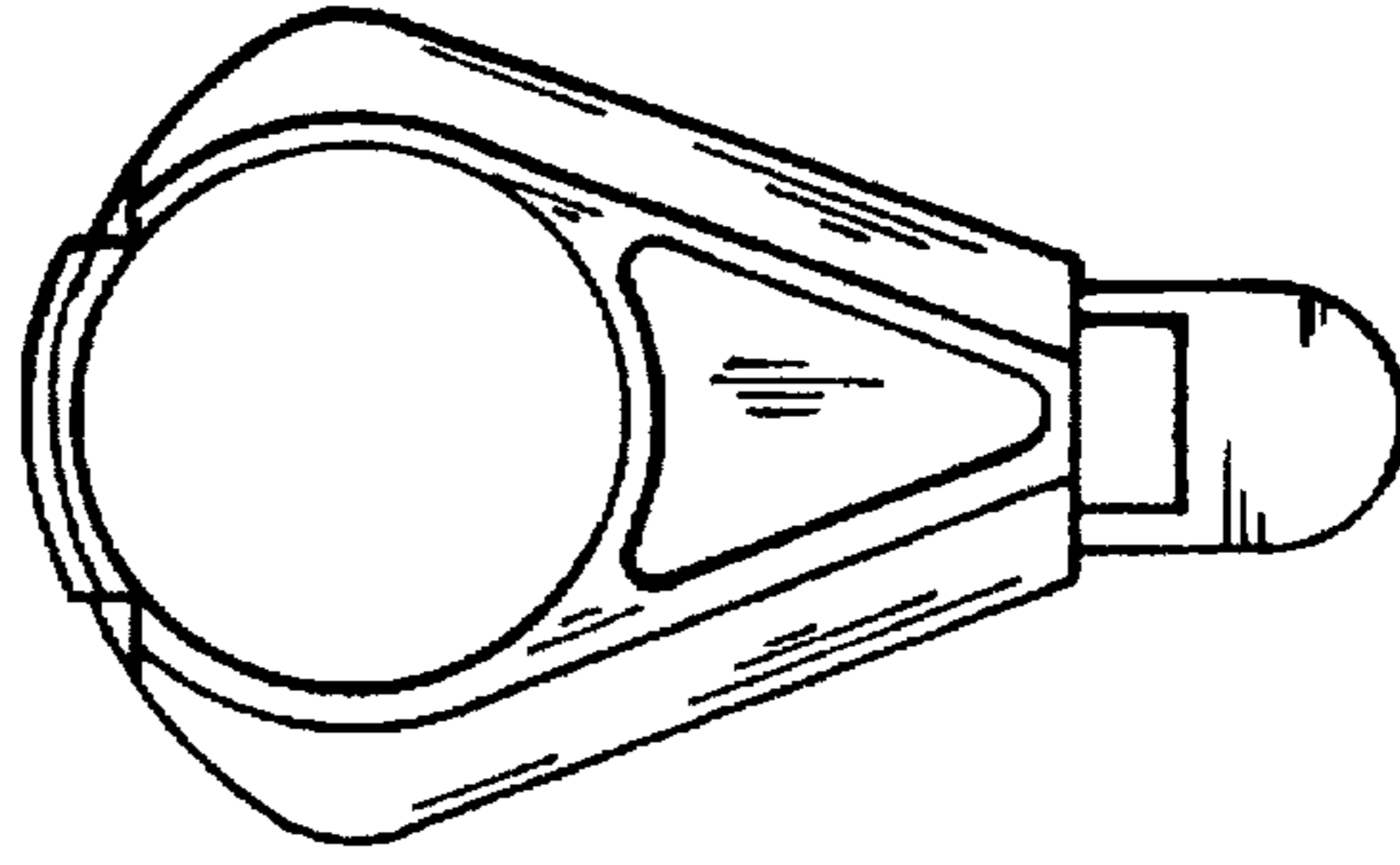


FIG. 3

FIG. 2