



US00D391143S

United States Patent [19] Jancsek

[11] Patent Number: **Des. 391,143**
[45] Date of Patent: ****Feb. 24, 1998**

[54] **LOW PROFILE HANDLE**
[75] Inventor: **John Joseph Jancsek, Blaine, Minn.**
[73] Assignee: **Federal-Hoffman, Inc., Anoka, Minn.**
[**] Term: **14 Years**
[21] Appl. No.: **60,737**
[22] Filed: **Oct. 4, 1996**
[51] LOC (6) Cl. **08-07**
[52] U.S. Cl. **D8/338**
[58] Field of Search D8/330, 331, 336,
D8/338, 341; 70/57, 89, 91, 207, 208, 209,
221

Hoffman Engineering Company Specifier's Guide, 1995-1996, p. 574, showing handles, latches and clamps for use on Hoffman custom enclosures.
Hoffman Engineering Company Specifier's Guide, 1995-1996, p. 30-, showing door accessories.
Cover page of a DECO brochure, dated Apr. 1993, showing a latch handle.
EMKA Swinghandle Leaflet Dated Prior to Filing Date.

Primary Examiner—Brian N. Vinson
Attorney, Agent, or Firm—Merchant, Gould, Smith, Edell, Welter & Schmidt

[57] CLAIM

The ornamental design for low profile handle, as shown and described.

[56] References Cited

U.S. PATENT DOCUMENTS

D. 131,217	1/1942	Braun .	
D. 197,050	12/1963	Orenstein .	
D. 292,171	10/1987	Berg	D8/331
D. 332,904	2/1993	Plummer et al.	D8/308
D. 343,347	1/1994	Lau et al.	D8/301
D. 344,881	3/1994	Sauerland	D8/331
D. 360,124	7/1995	Gartner	D8/330
4,631,937	12/1986	Debus et al.	70/207

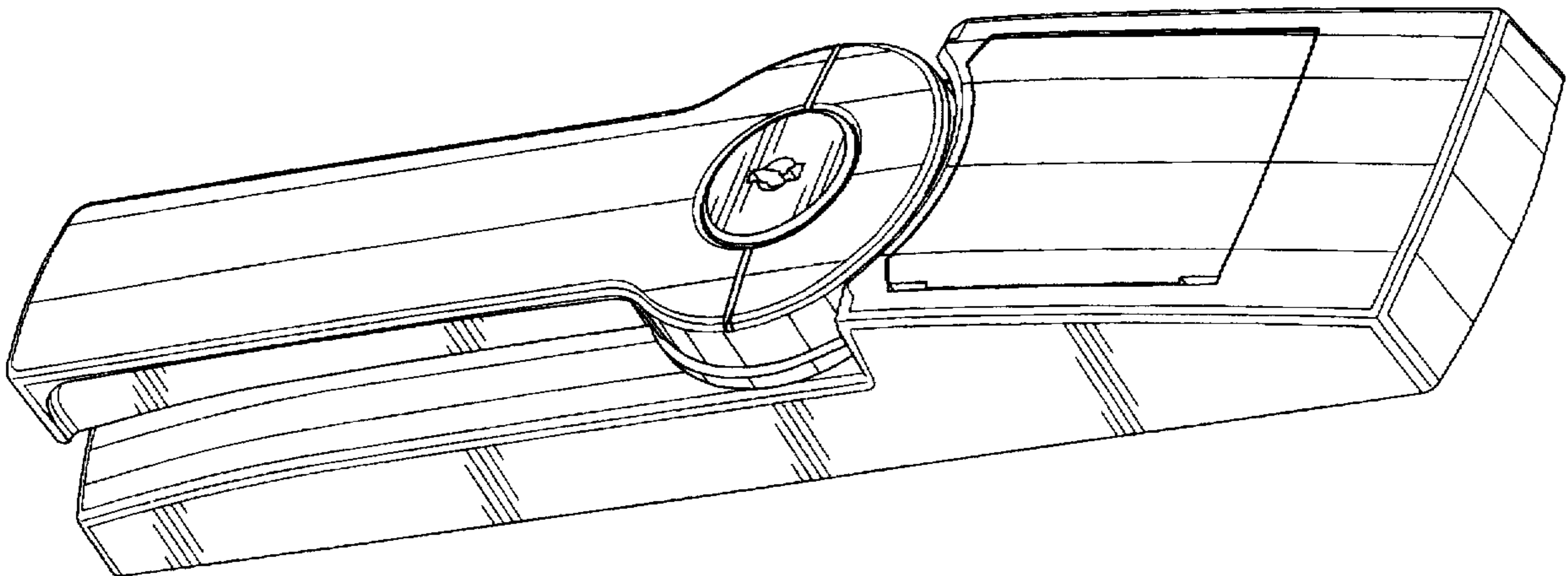
OTHER PUBLICATIONS

Hoffman Engineering Company Specifier's Guide, 1995-1996, p. 502, showing lock kits for enclosures and junction boxes.

DESCRIPTION

FIG. 1 shows a perspective view of a low profile handle according to the principles of the present invention;
FIG. 2 shows a front elevational view thereof;
FIG. 3 shows a rear elevational view thereof;
FIG. 4 shows a right side elevational view thereof, a left side elevational view not being shown as it is a mirror image of the right side elevational view;
FIG. 5 shows a top view thereof; and
FIG. 6 shows a bottom plan view thereof.

1 Claim, 3 Drawing Sheets



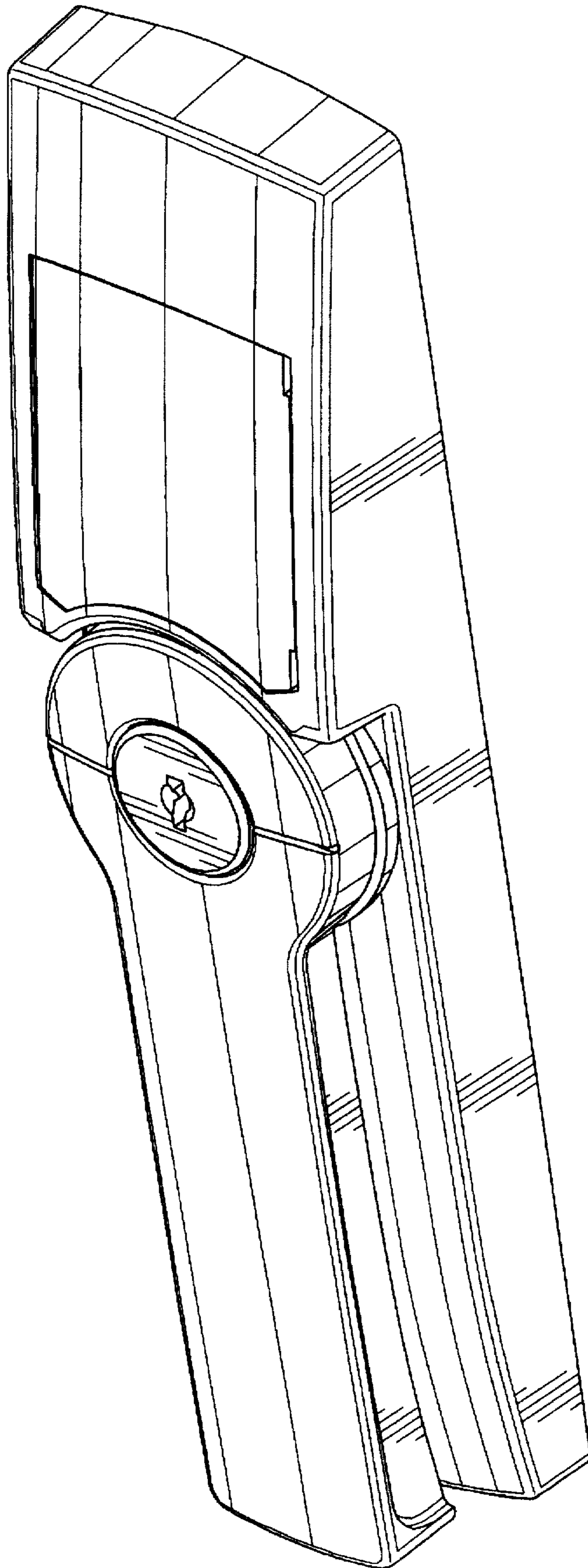


FIG. 1

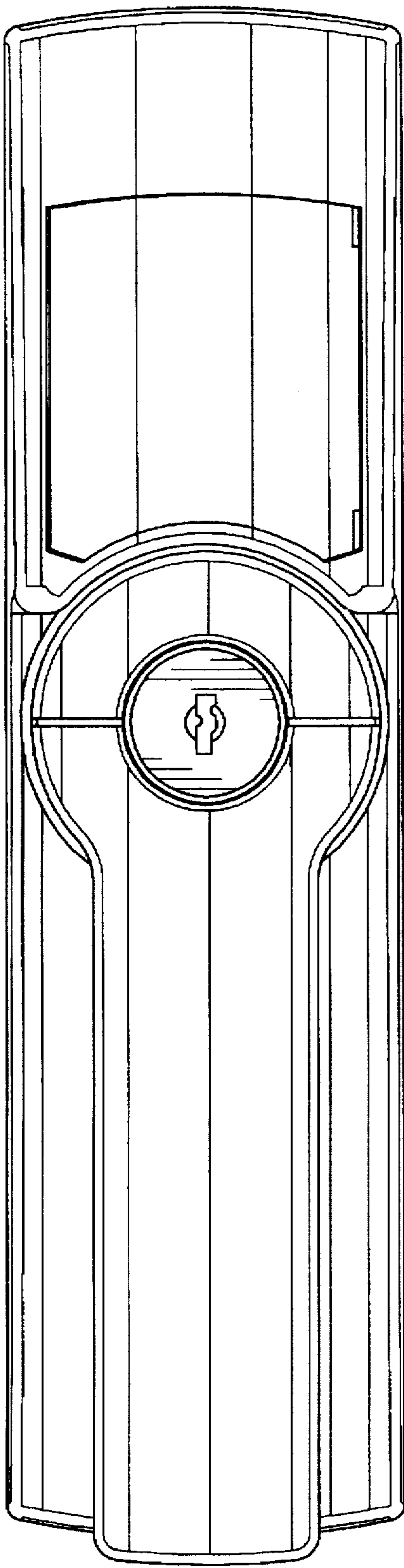


FIG. 2

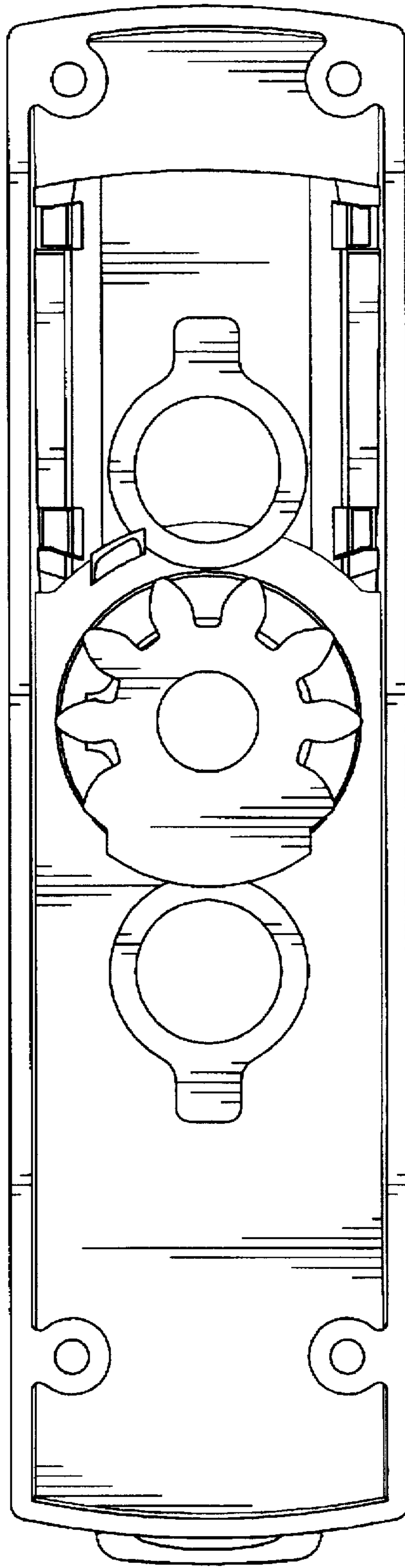


FIG. 3

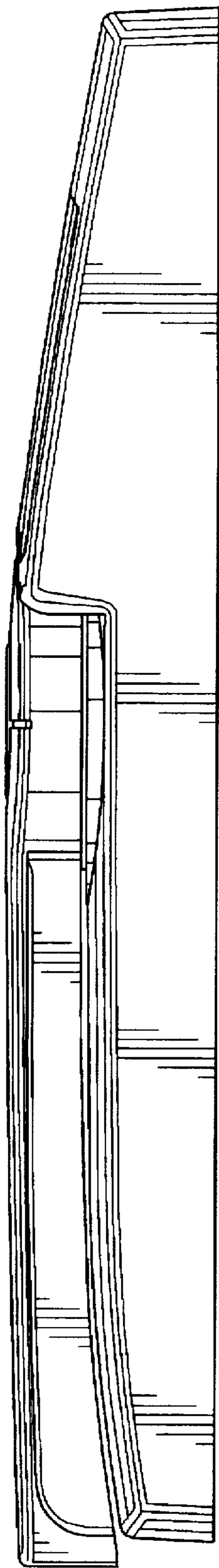


FIG. 4

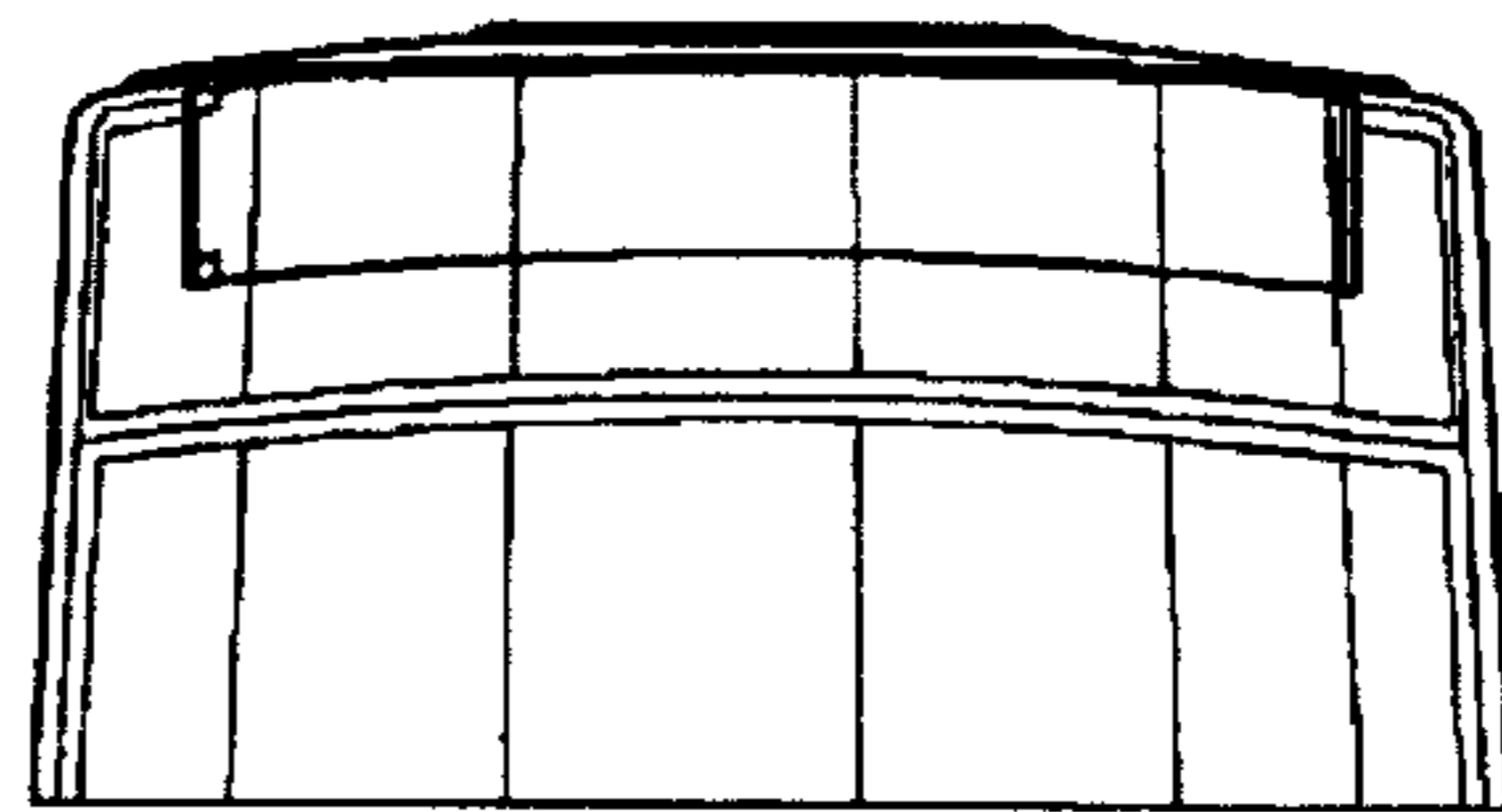


FIG. 5

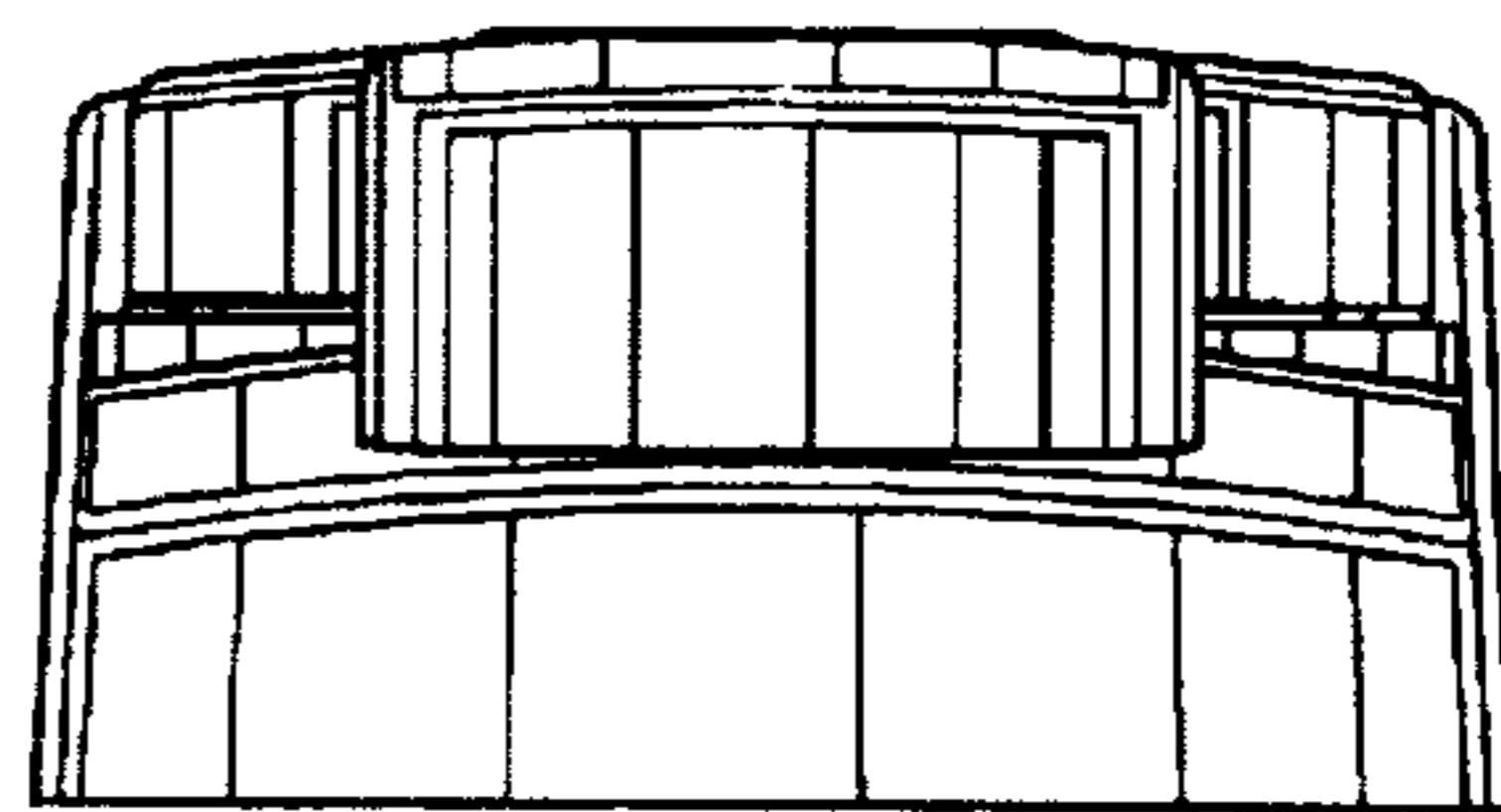


FIG. 6