

US00D391142S

# United States Patent [19] Winner

[11] Patent Number: **Des. 391,142**  
[45] Date of Patent: **\*\*Feb. 24, 1998**

- [54] LOCK
- [75] Inventor: **Kevin D. Winner**, Hermitage, Pa.
- [73] Assignee: **Winner International Royalty Corporation**, Sharon, Pa.
- [\*\*] Term: **14 Years**
- [21] Appl. No.: **61,022**
- [22] Filed: **Oct. 15, 1996**

### Related U.S. Application Data

- [63] Continuation-in-part of Ser. No. 442,816, May 17, 1995, which is a continuation-in-part of Ser. No. 233,291, Apr. 26, 1994, Pat. No. 5,488,844.
- [51] LOC (6) Cl. .... **08-07**
- [52] U.S. Cl. .... **D8/333**
- [58] Field of Search ..... **D8/333, 334; 70/14-16, 70/18, 57, 158, 163-164, 233**

### [56] References Cited

#### U.S. PATENT DOCUMENTS

- |            |         |                |       |        |
|------------|---------|----------------|-------|--------|
| D. 351,778 | 10/1994 | Kuo            | ..... | D8/333 |
| D. 357,397 | 4/1995  | Kuo            | ..... | D8/333 |
| 5,331,830  | 7/1994  | Su             | .     |        |
| 5,394,712  | 3/1995  | Chou           | .     |        |
| 5,398,529  | 3/1995  | Goldman et al. | .     |        |
| 5,406,811  | 4/1995  | Nakai          | .     |        |
| 5,406,812  | 4/1995  | Jaw            | .     |        |
| 5,488,844  | 2/1996  | Winner         | .     |        |

#### FOREIGN PATENT DOCUMENTS

- 2495555 12/1980 France .

#### OTHER PUBLICATIONS

- Letter dated Oct. 18, 1994 from Wilson Gunn M'Caw & Co.
- Letter dated Jan. 5, 1995 from David Warner.
- Letter dated Dec. 9, 1994 from Wilson Gunn M'Caw & Co.
- Performance Bicycle Shop Catalog, p. 79, Summer 1994.

Six copies of photographs of the Cyclok booth at Las Vegas Interbike Show in 1993.

*Primary Examiner*—Brian N. Vinson  
*Attorney, Agent, or Firm*—Vickers, Daniels & Young

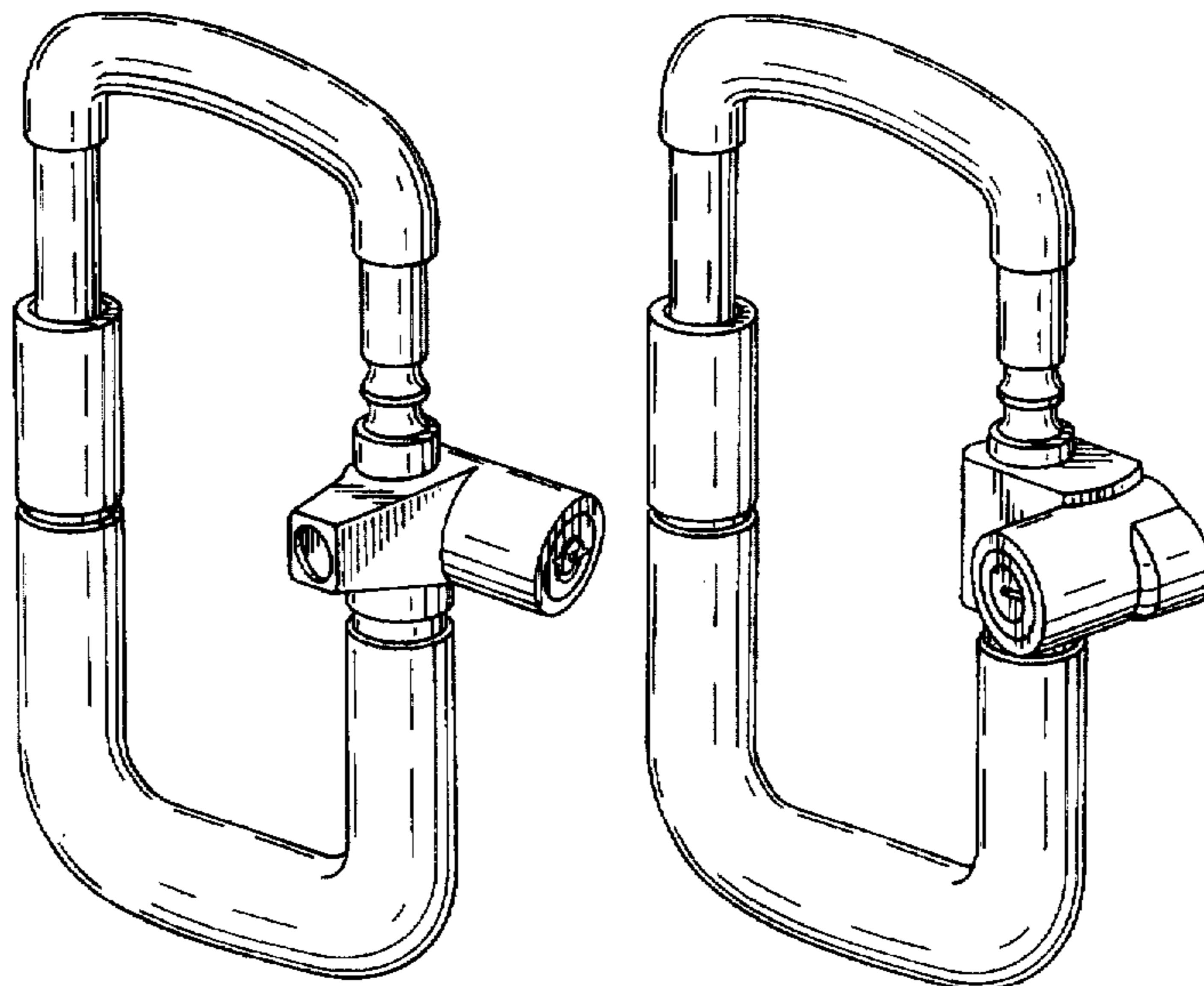
### [57] CLAIM

The ornamental design of lock, as shown and described.

### DESCRIPTION

- FIG. 1 is a front perspective view of a second embodiment of the metal lock of the present invention with the lock in a closed position;
- FIG. 2 is a top plan view of the lock in FIG. 1;
- FIG. 3 is a front elevation view of the lock in FIG. 1;
- FIG. 4 is a left side elevation view of the lock in FIG. 1;
- FIG. 5 is a right side elevation view of the lock in FIG. 1;
- FIG. 6 is a bottom plan view of the lock in FIG. 1;
- FIG. 7 is a rear elevation view of the lock in FIG. 1;
- FIG. 8 is a front elevation view of the lock in FIG. 1 showing the lock in an open position;
- FIG. 9 is a front elevation view of a third embodiment of the metal lock of the present invention;
- FIG. 10 is a front perspective view of a metal lock according to FIG. 9 showing the lock in a closed position;
- FIG. 11 is a top plan view of the lock in FIG. 9;
- FIG. 12 is a front elevation view of the lock in FIG. 9;
- FIG. 13 is a left side elevation view of the lock in FIG. 9;
- FIG. 14 is a right side elevation view of the lock in FIG. 9;
- FIG. 15 is a bottom plan view of the lock in FIG. 9; and,
- FIG. 16 is a rear elevation view of the lock in FIG. 9.

**1 Claim, 7 Drawing Sheets**



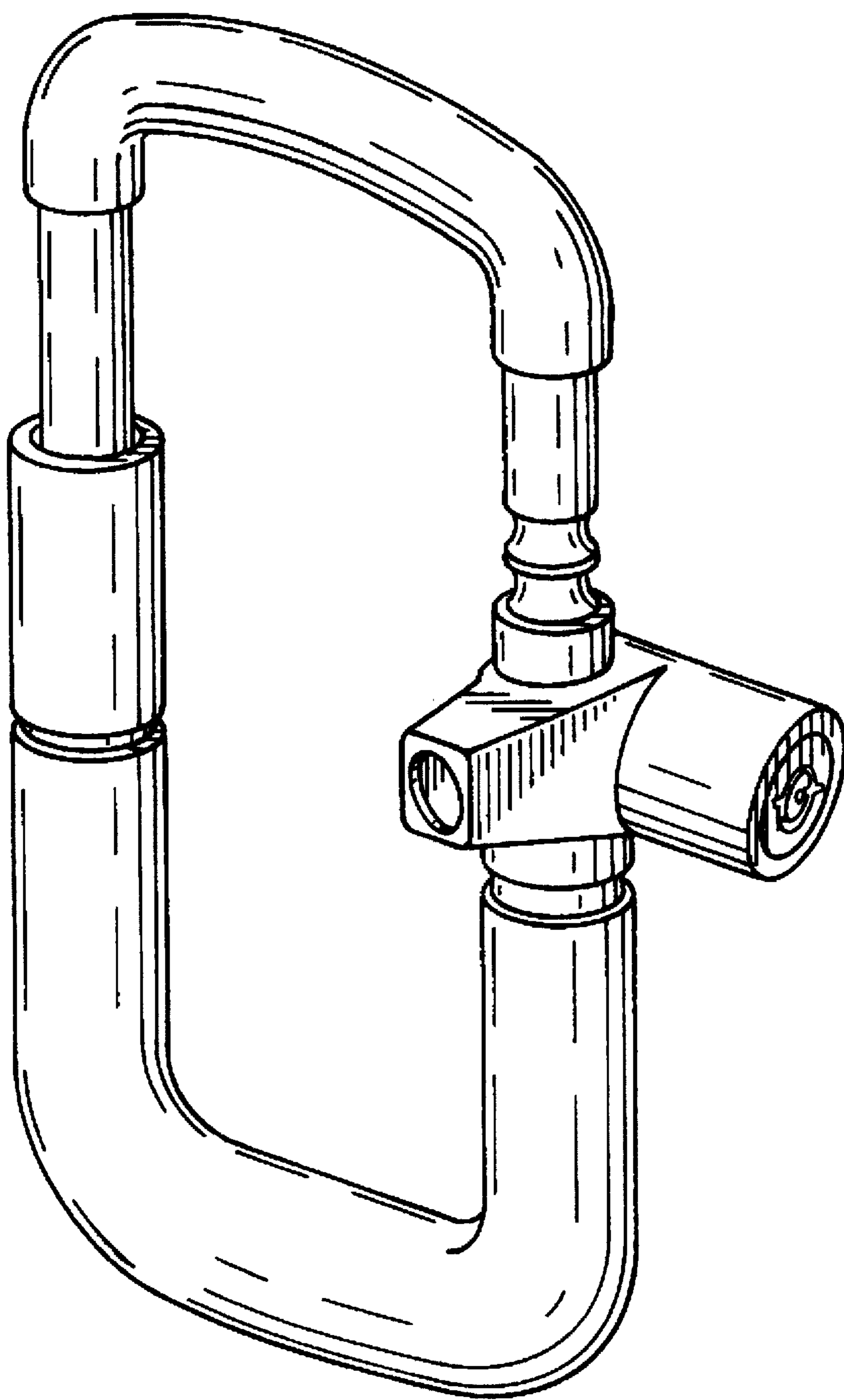


FIG. 1

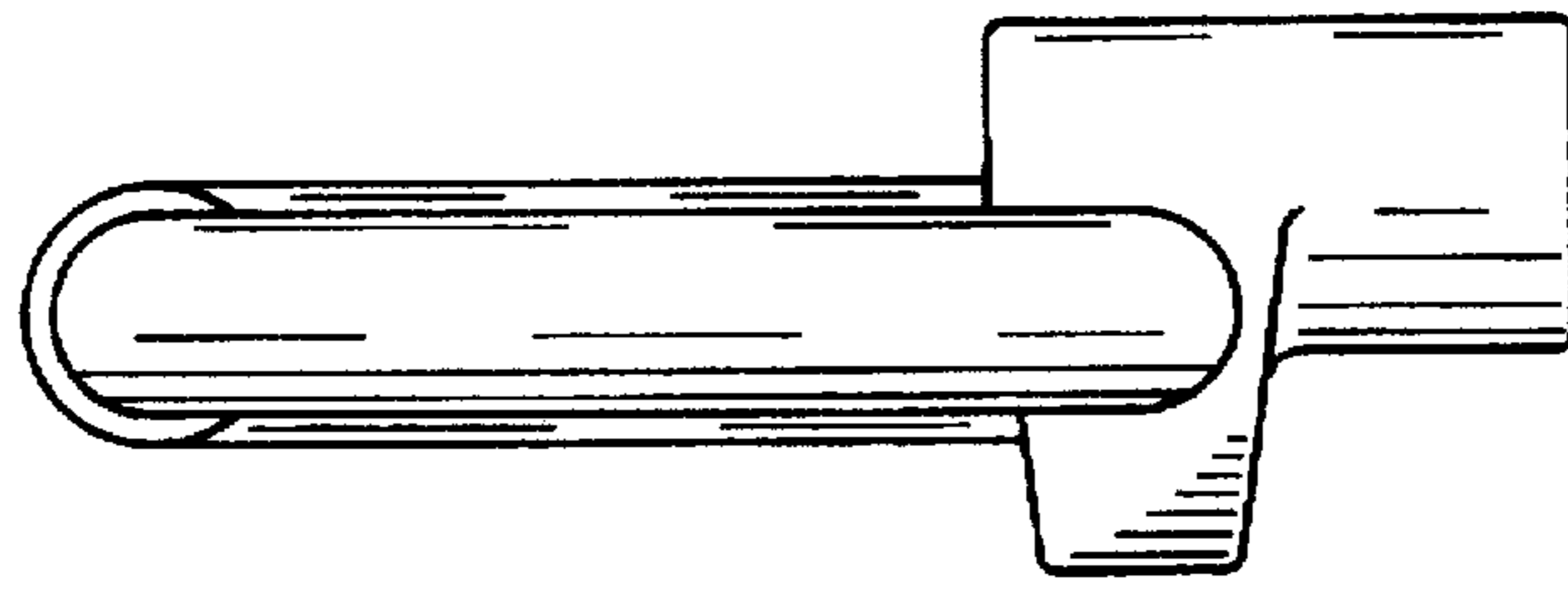


FIG. 2

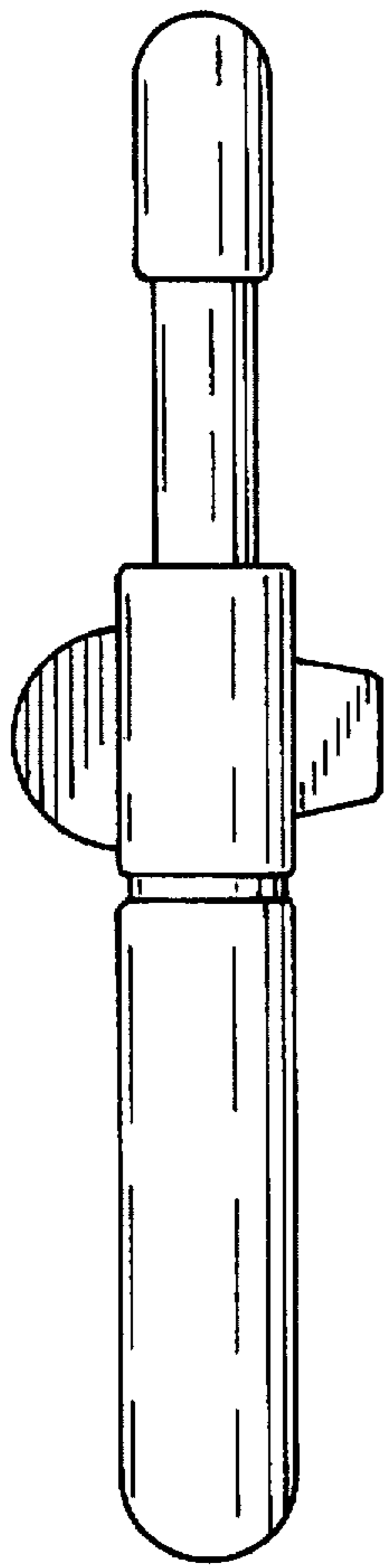


FIG. 4

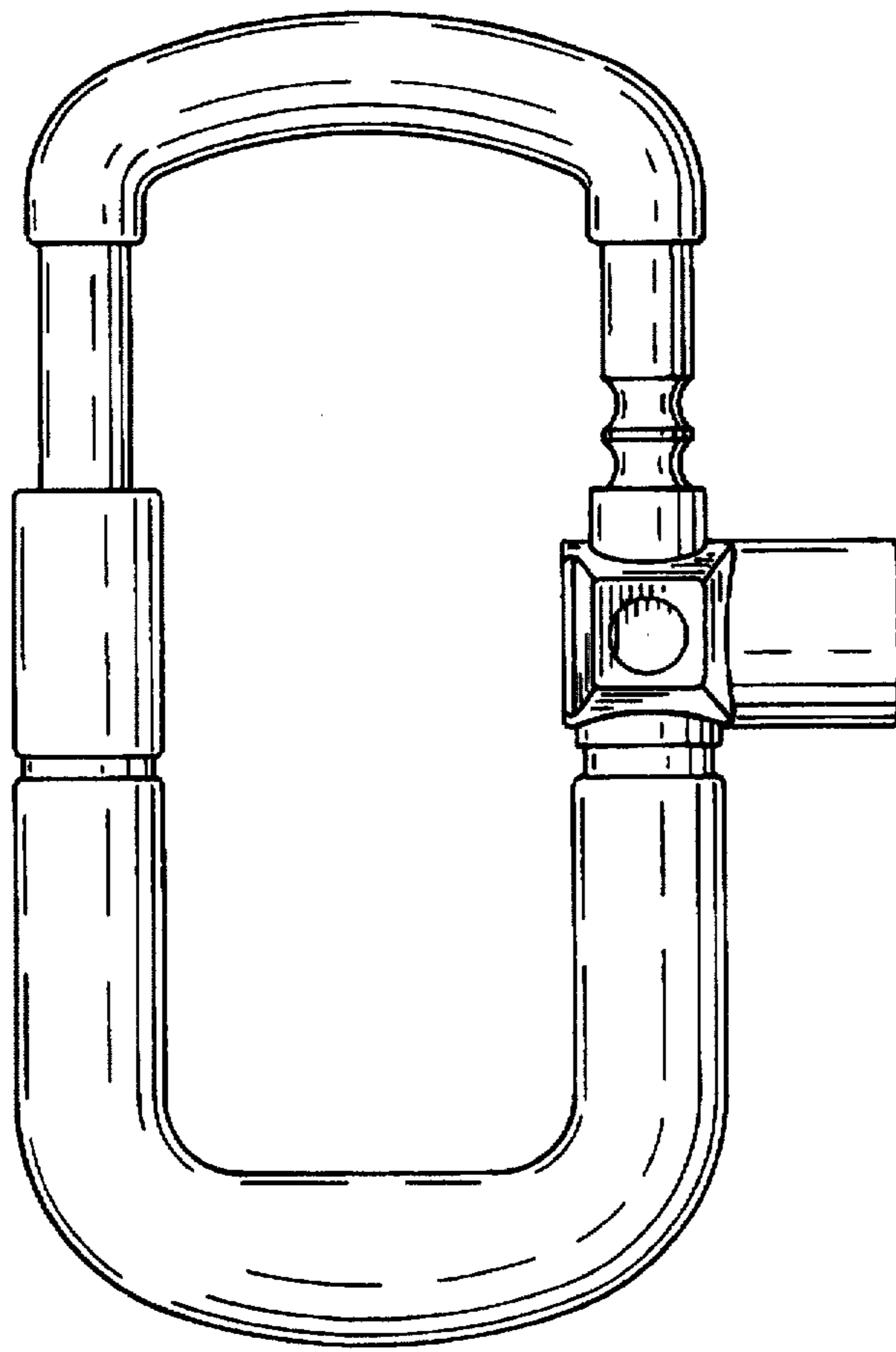


FIG. 3

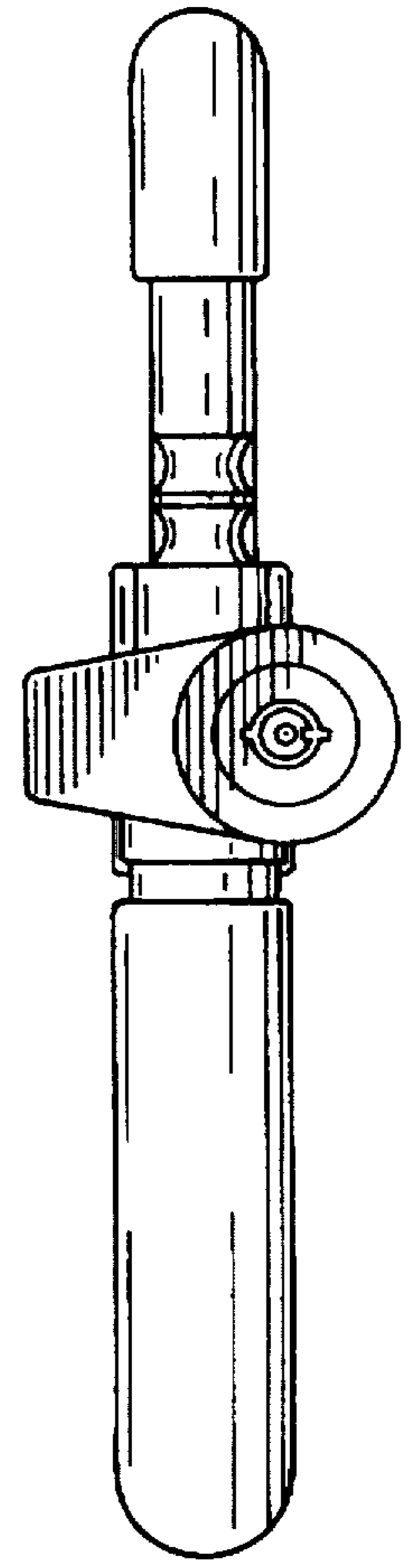


FIG. 5

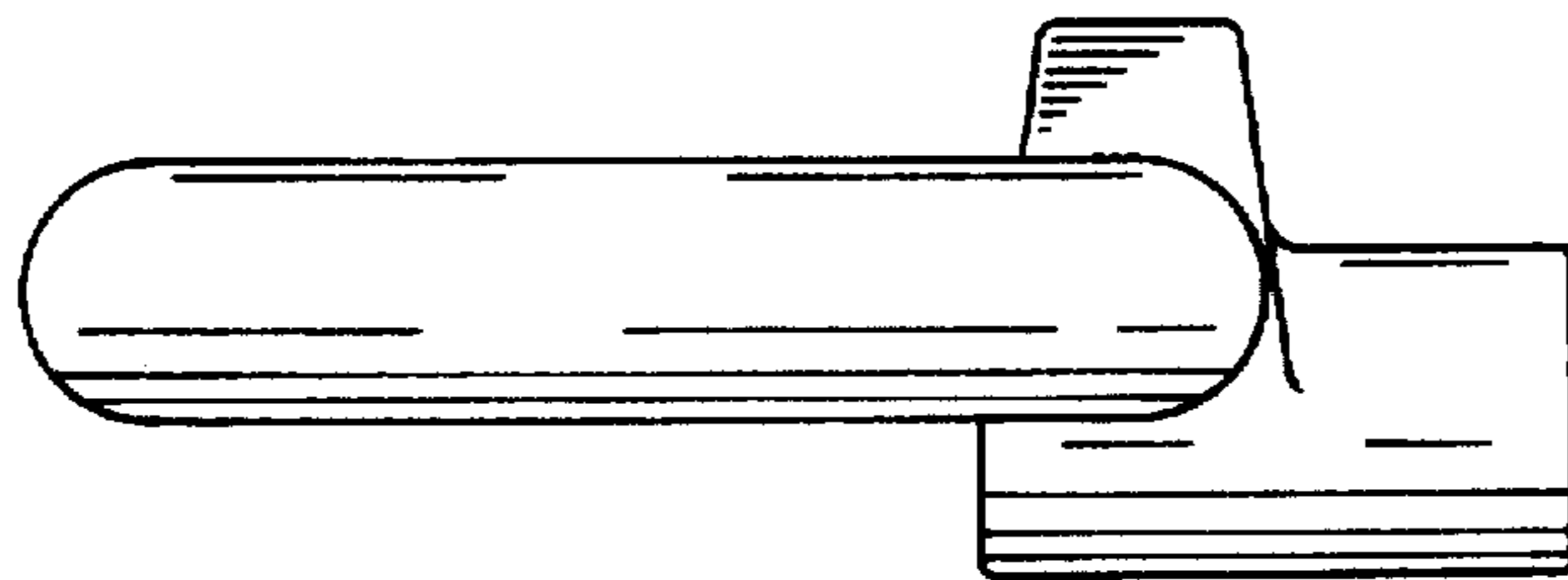


FIG. 6

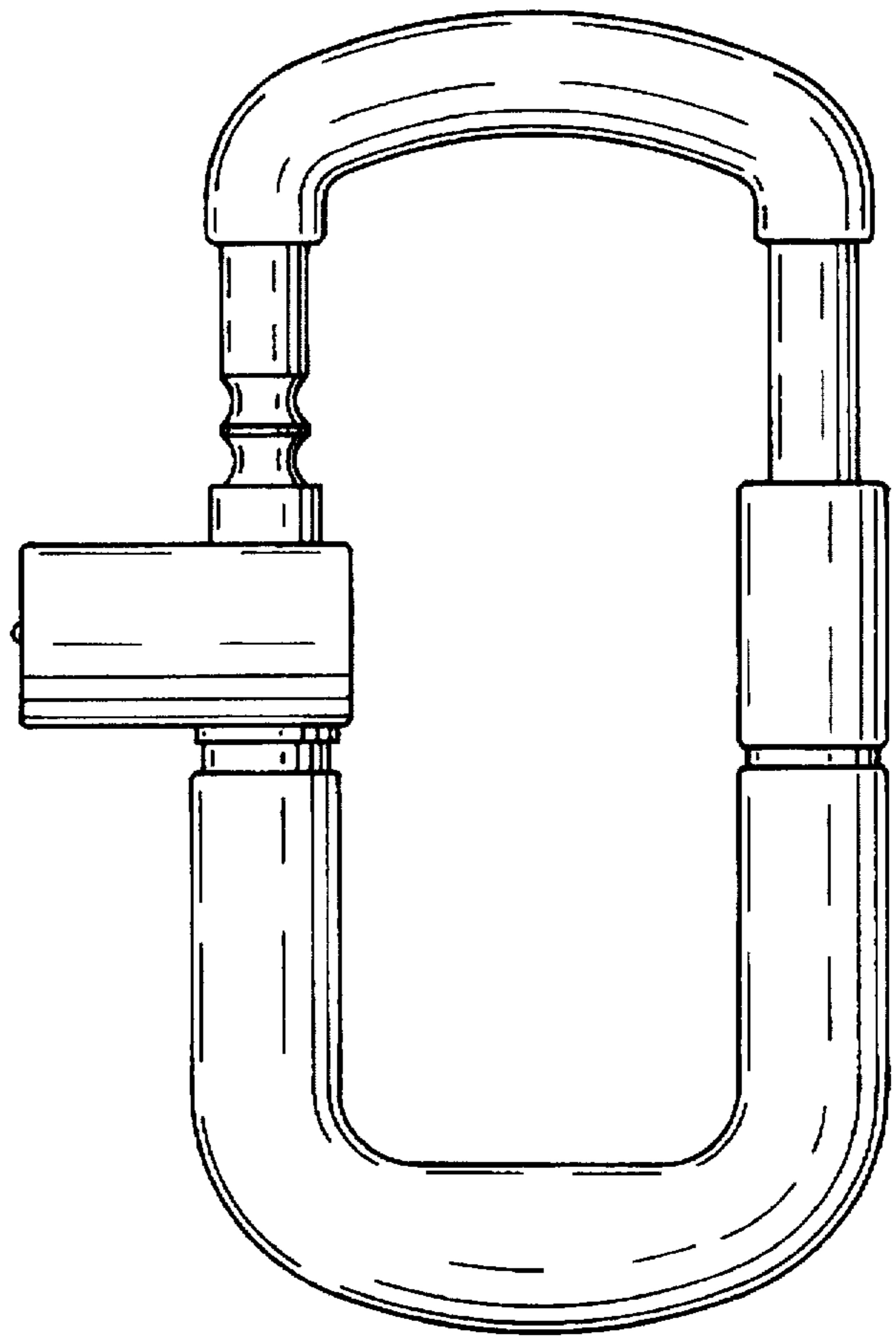


FIG. 7

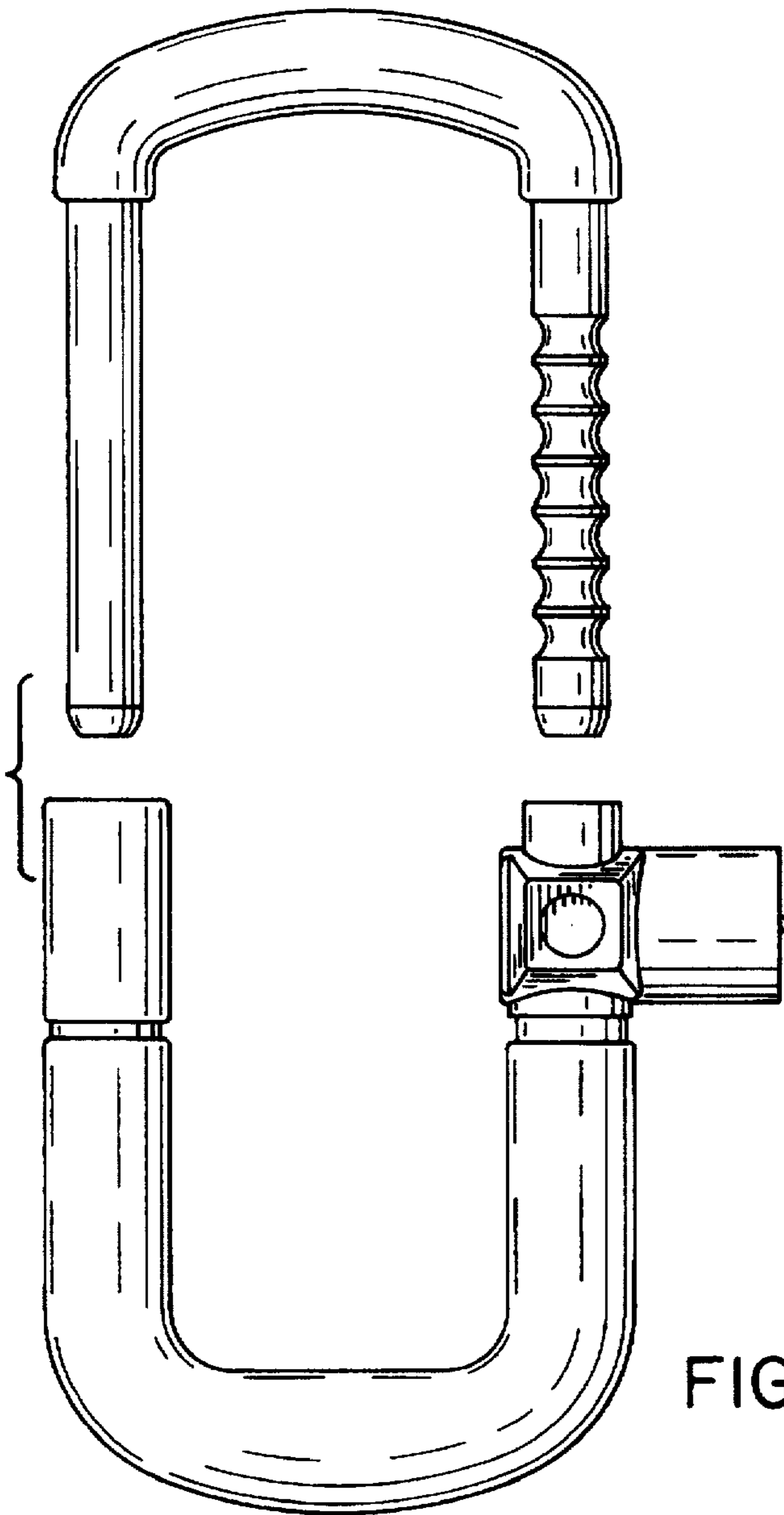


FIG. 8

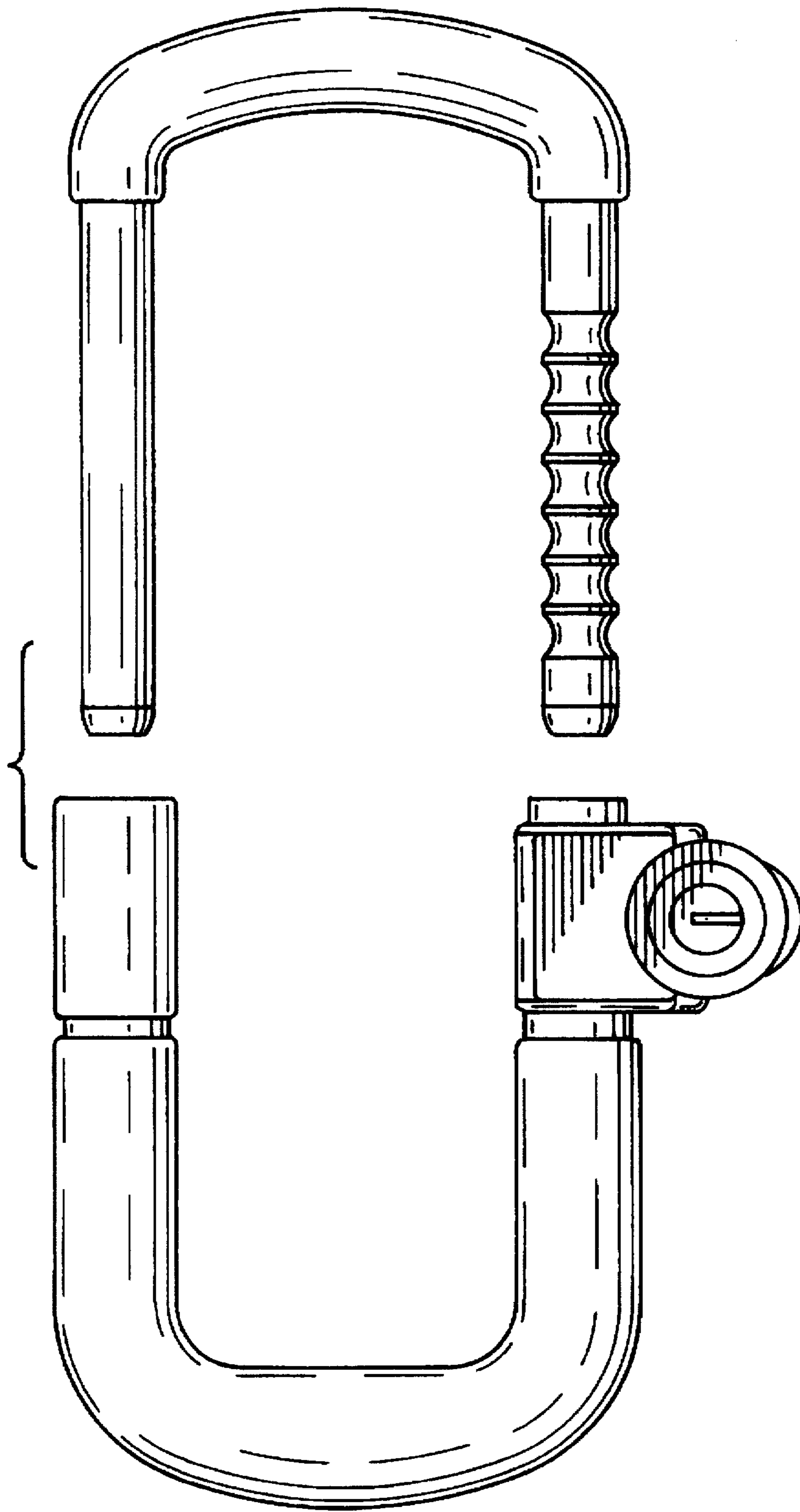


FIG. 9

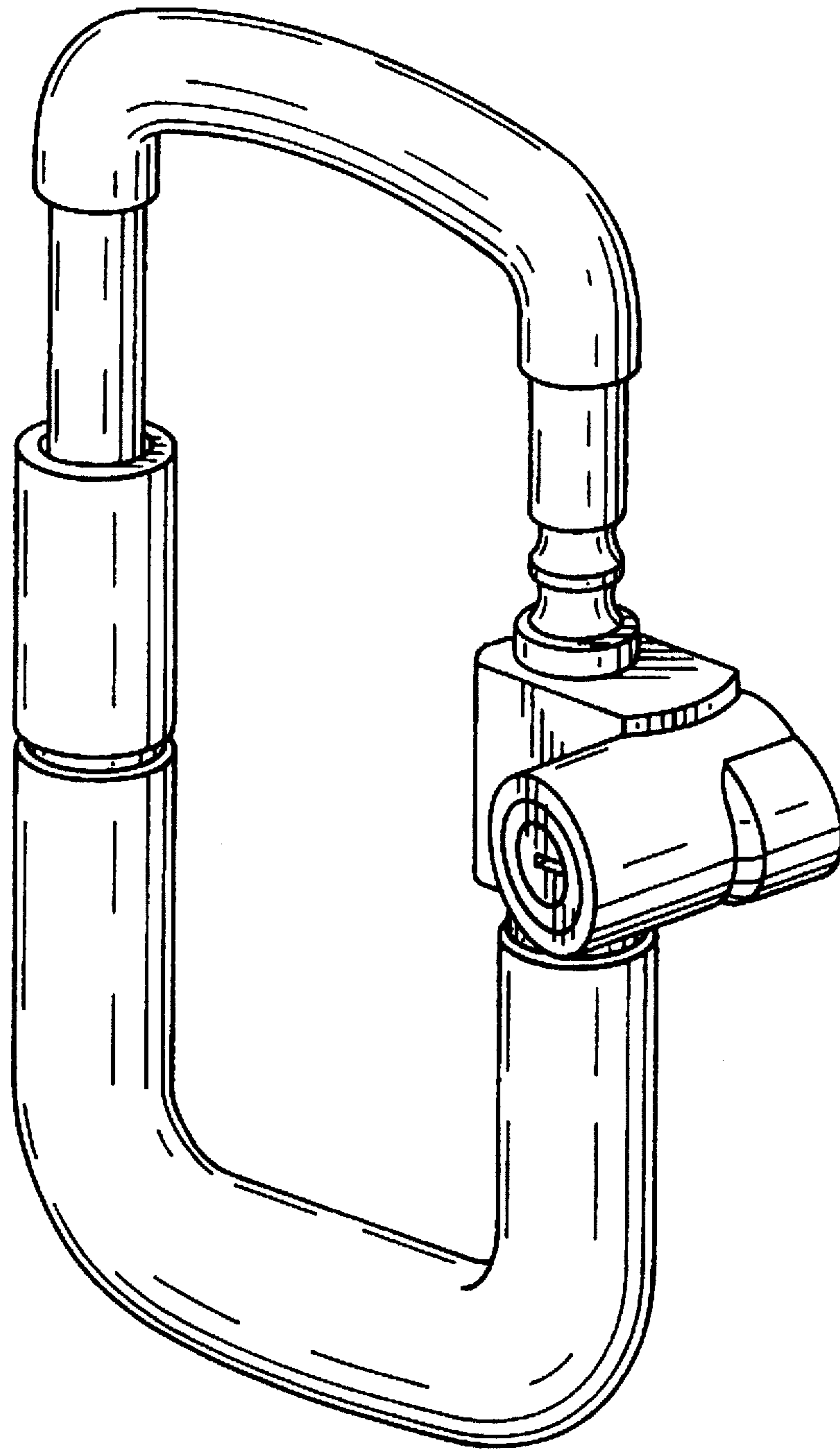


FIG. 10

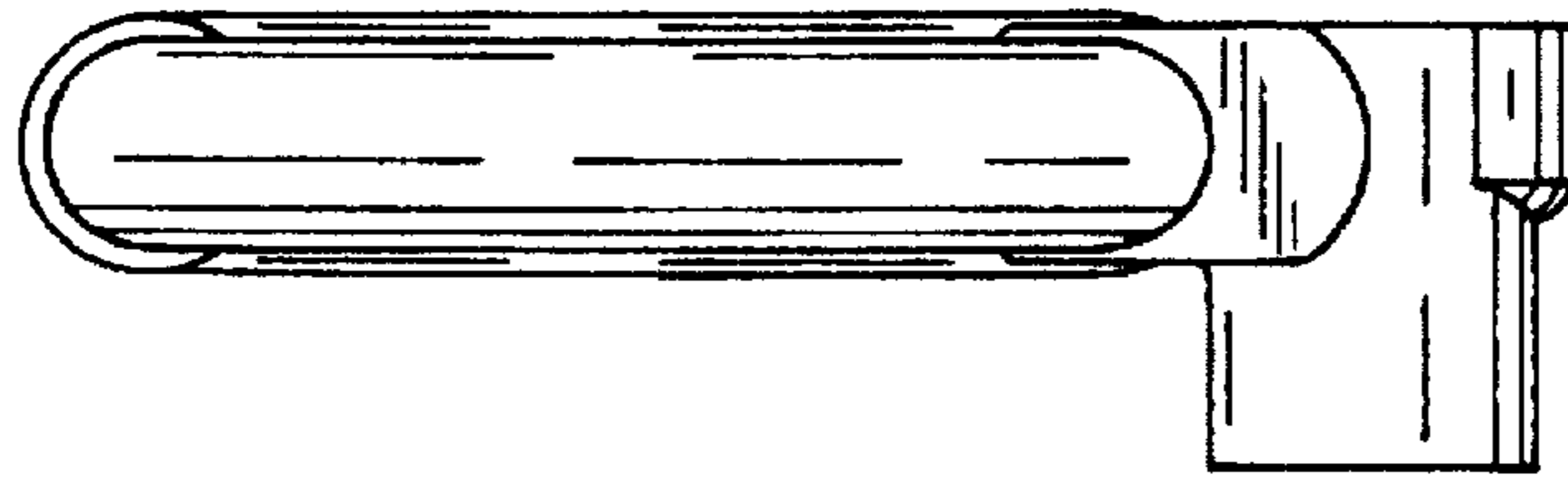


FIG. II

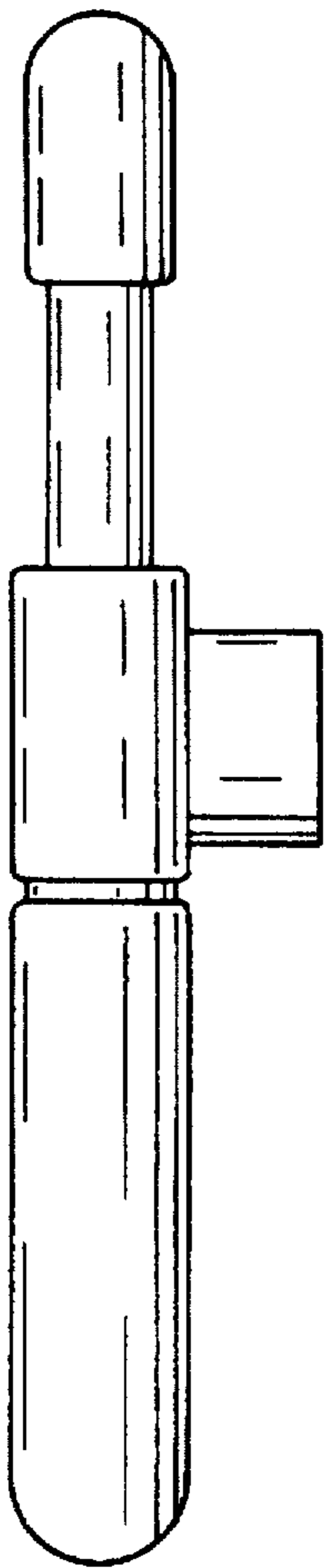


FIG. 13

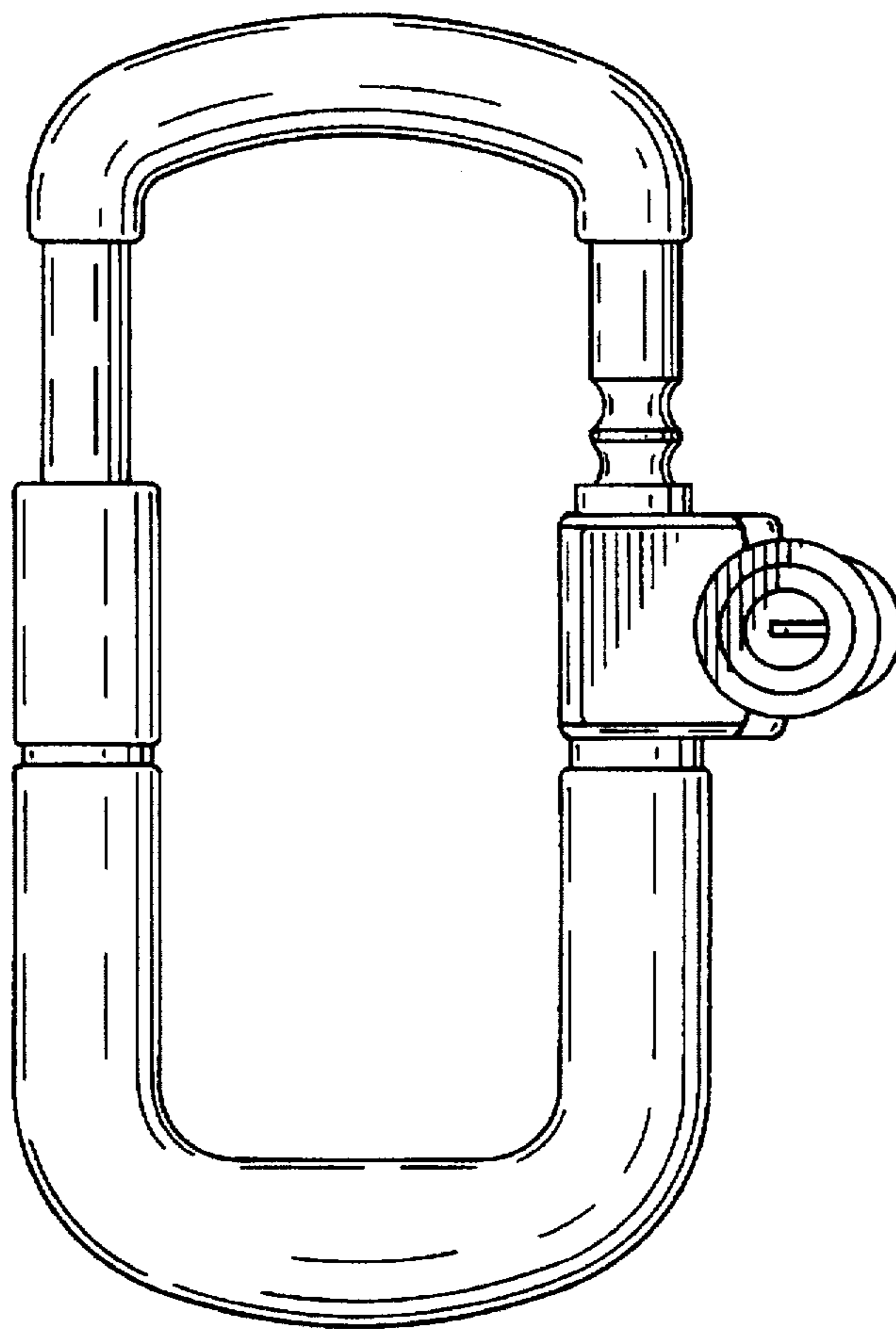


FIG. 12

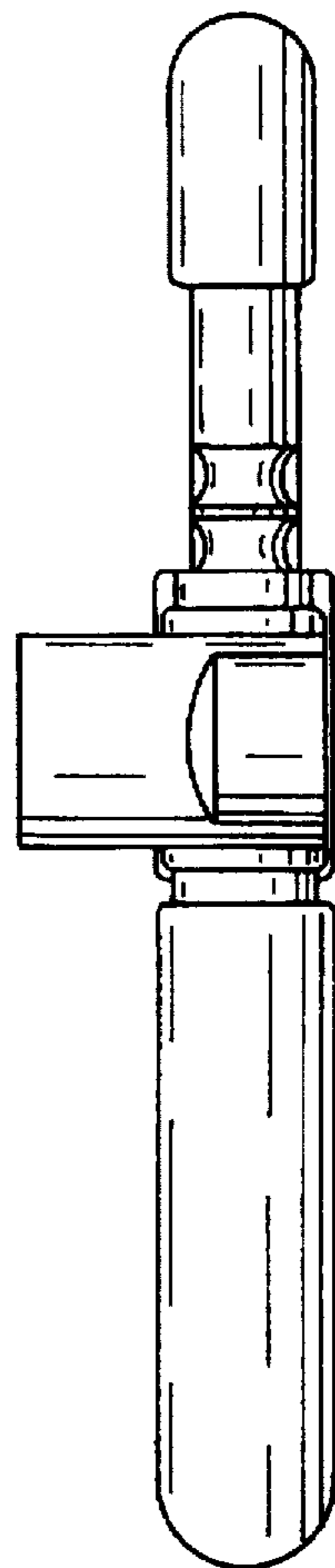


FIG. 14

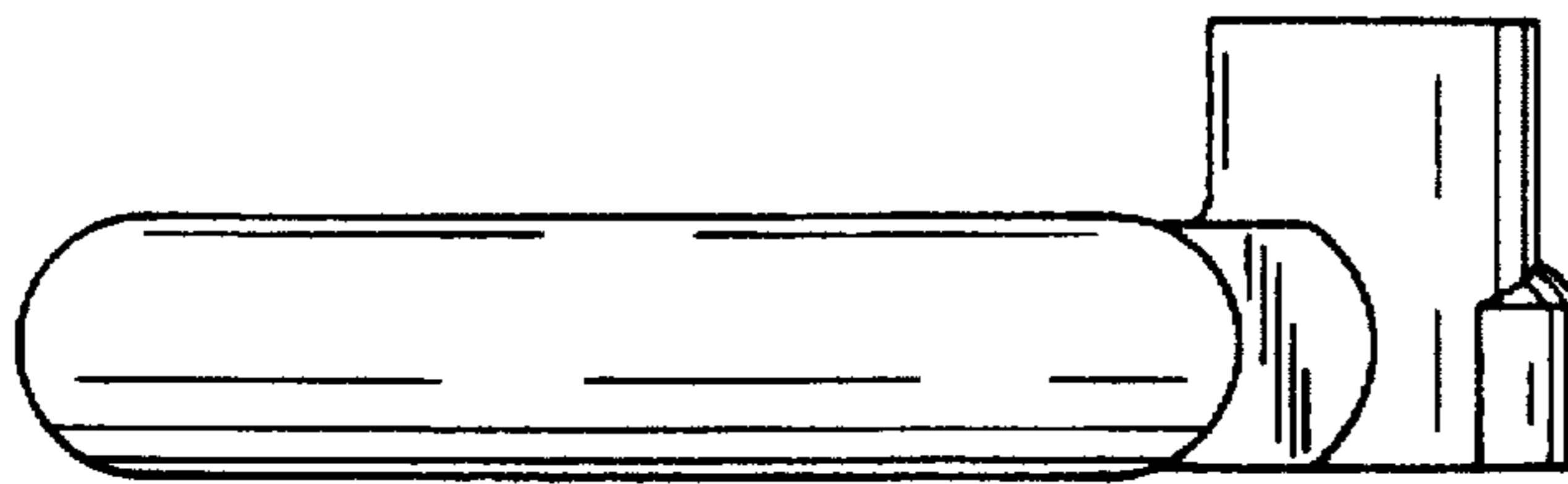


FIG. 15

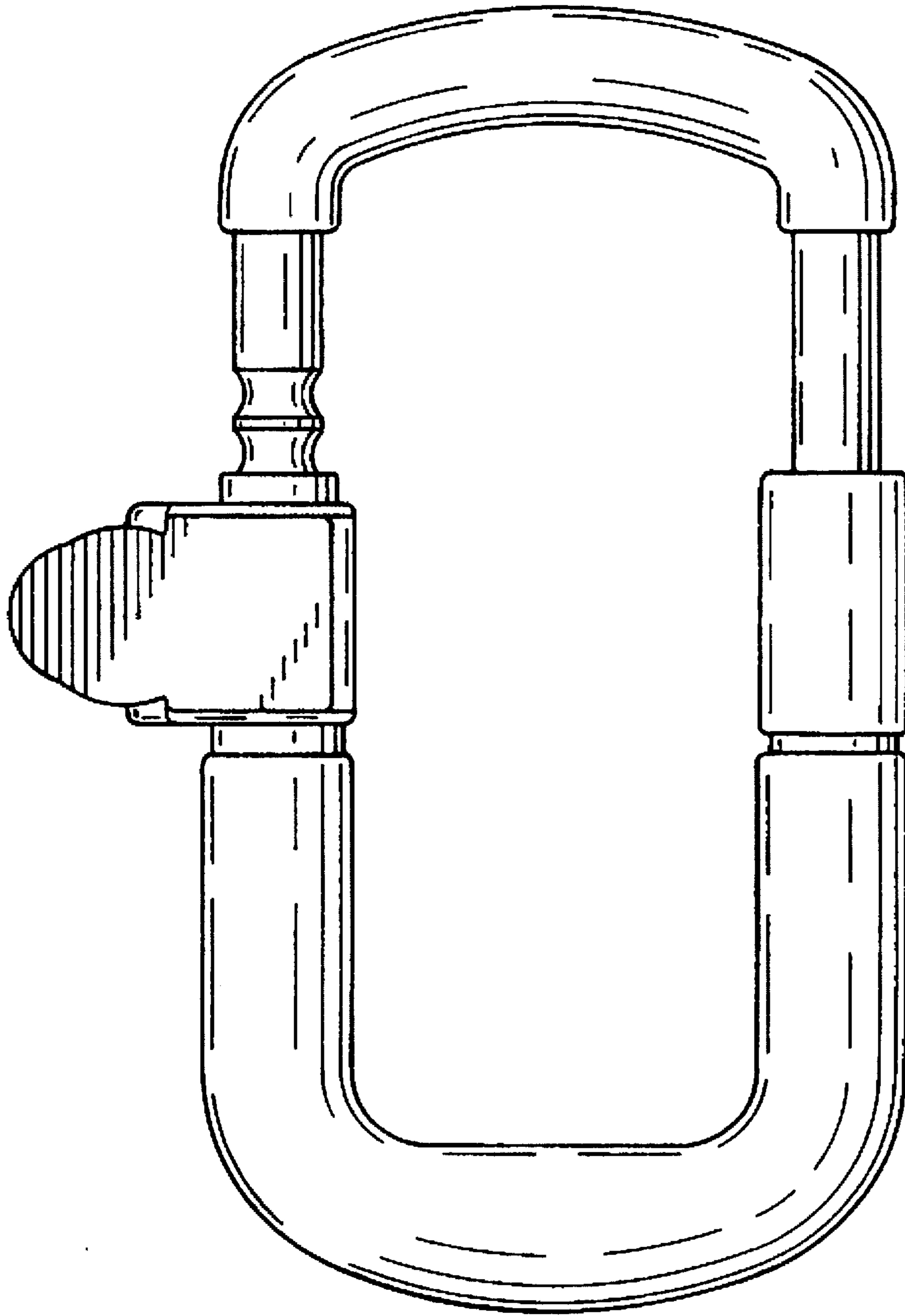


FIG. 16