



US00D391141S

United States Patent [19]

Finkelstein et al.

[11] Patent Number: **Des. 391,141**

[45] Date of Patent: ****Feb. 24, 1998**

[54] **DOOR LATCH**

2,854,268 9/1958 Graves et al. D8/331 X
4,530,532 7/1985 Fujiya 292/341.15

[75] Inventors: **Burl Finkelstein; Mark Kennedy**, both of Newnan, Ga.

Primary Examiner—Brian N. Vinson
Attorney, Agent, or Firm—Kennedy, Davis & Kennedy

[73] Assignee: **Kason Industries, Inc.**, Shenandoah, Ga.

[57] **CLAIM**

[**] Term: **14 Years**

The ornamental design for a door latch, as shown and described.

[21] Appl. No.: **68,139**

DESCRIPTION

[22] Filed: **Mar. 14, 1997**

FIG. 1 is a top, front and left side perspective view of a door latch showing my new design;

[51] LOC (6) Cl. **08-07**

FIG. 2 is a left side view thereof with mounting plate, the left side being a mirror image of the right side without the mounting plate;

[52] U.S. Cl. **D8/331**

[58] Field of Search D8/330-331, 336-338, D8/342; 292/DIG. 7, DIG. 20, DIG. 30, DIG. 31, DIG. 33, 143, 200, 217, 236, 241, DIG. 71

FIG. 3 is a right side view thereof without a mounting plate, the right side being a mirror image of the left side with the mounting plate;

FIG. 4 is a front view thereof;

FIG. 5 is a rear view thereof;

FIG. 6 is a top end view thereof; and,

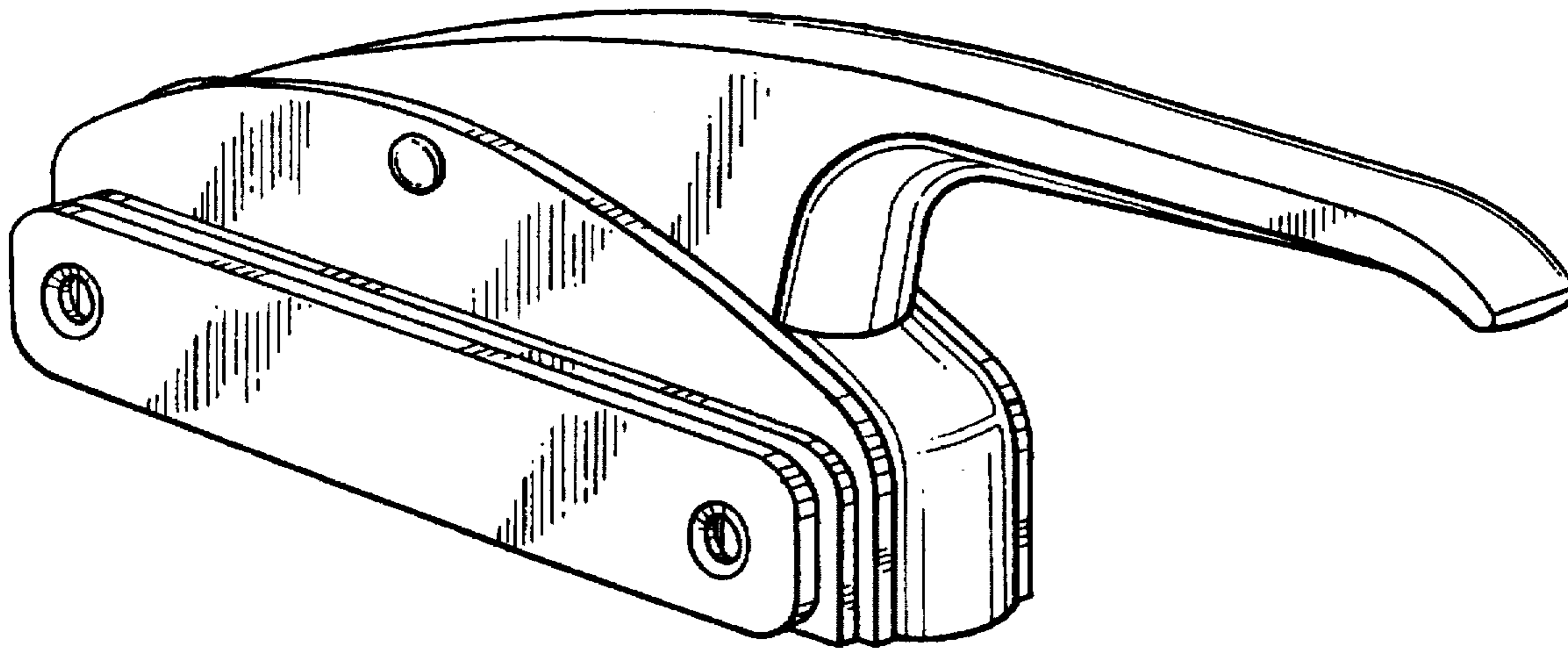
FIG. 7 is a bottom end view thereof.

[56] **References Cited**

U.S. PATENT DOCUMENTS

- D. 180,515 6/1957 Graves et al. D8/338 X
- D. 316,509 4/1991 Nolte D8/337
- D. 338,389 8/1993 Finkelstein et al. D8/331

1 Claim, 2 Drawing Sheets



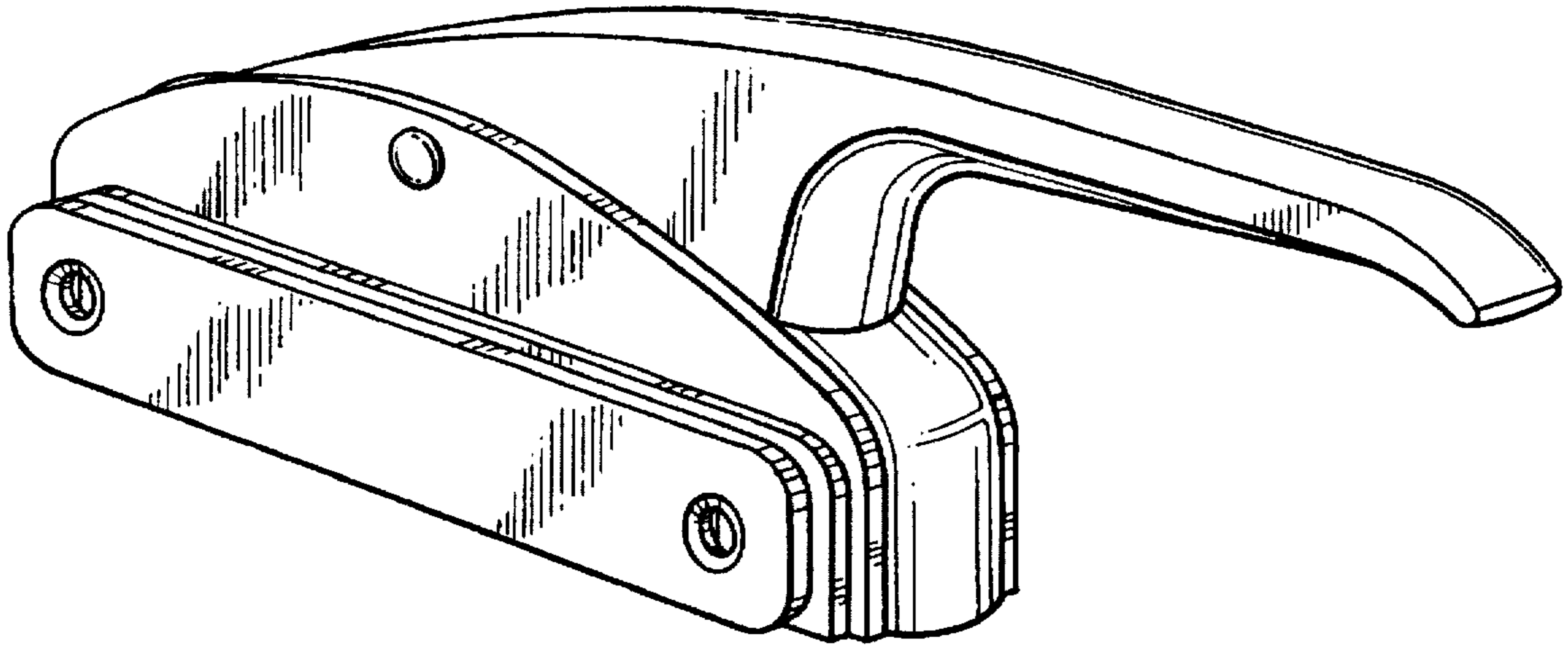


FIG. 1

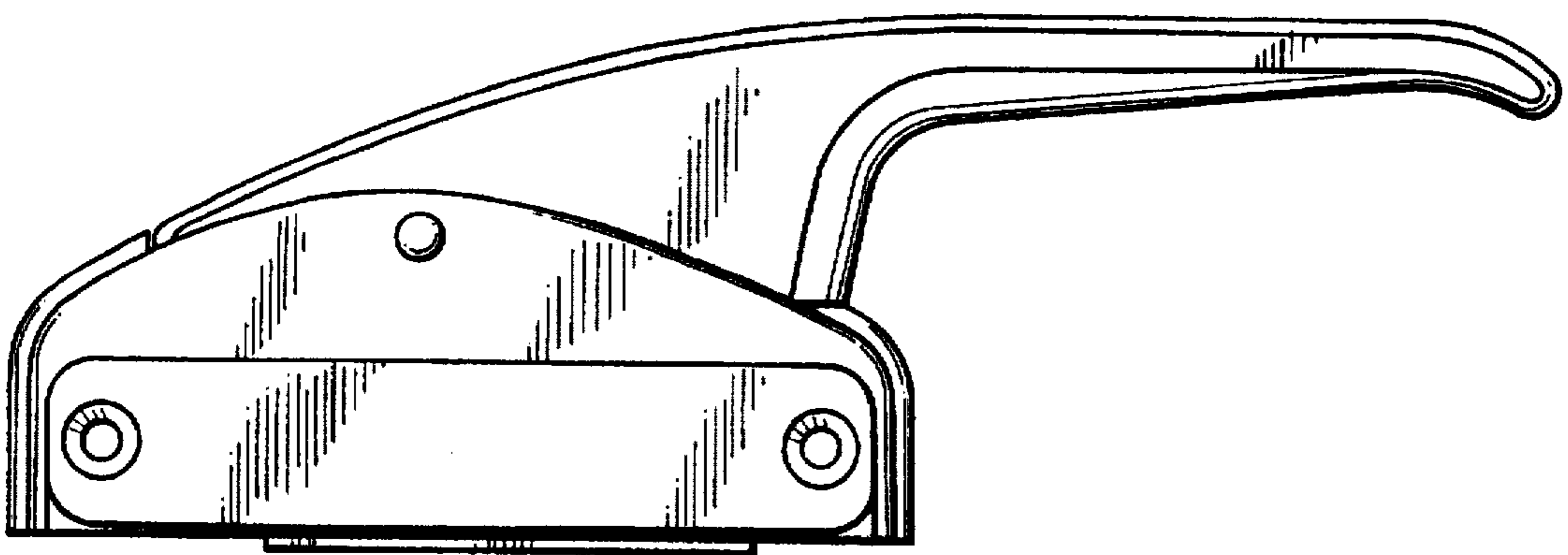


FIG. 2

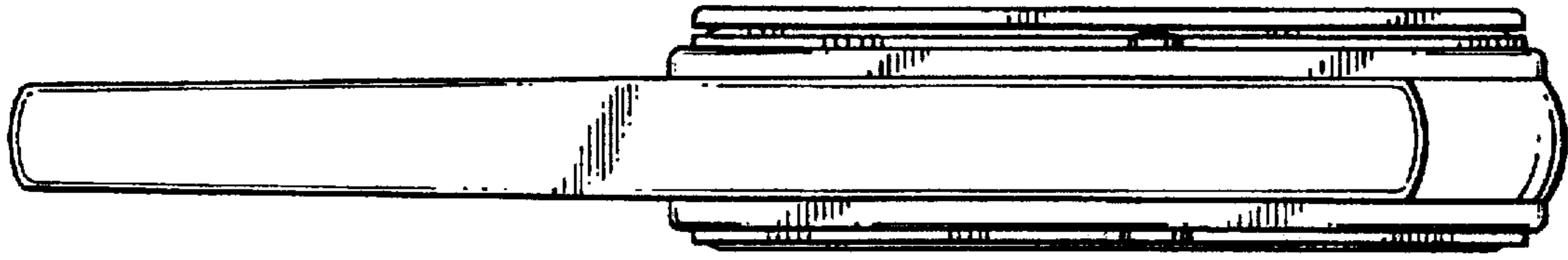


FIG. 4

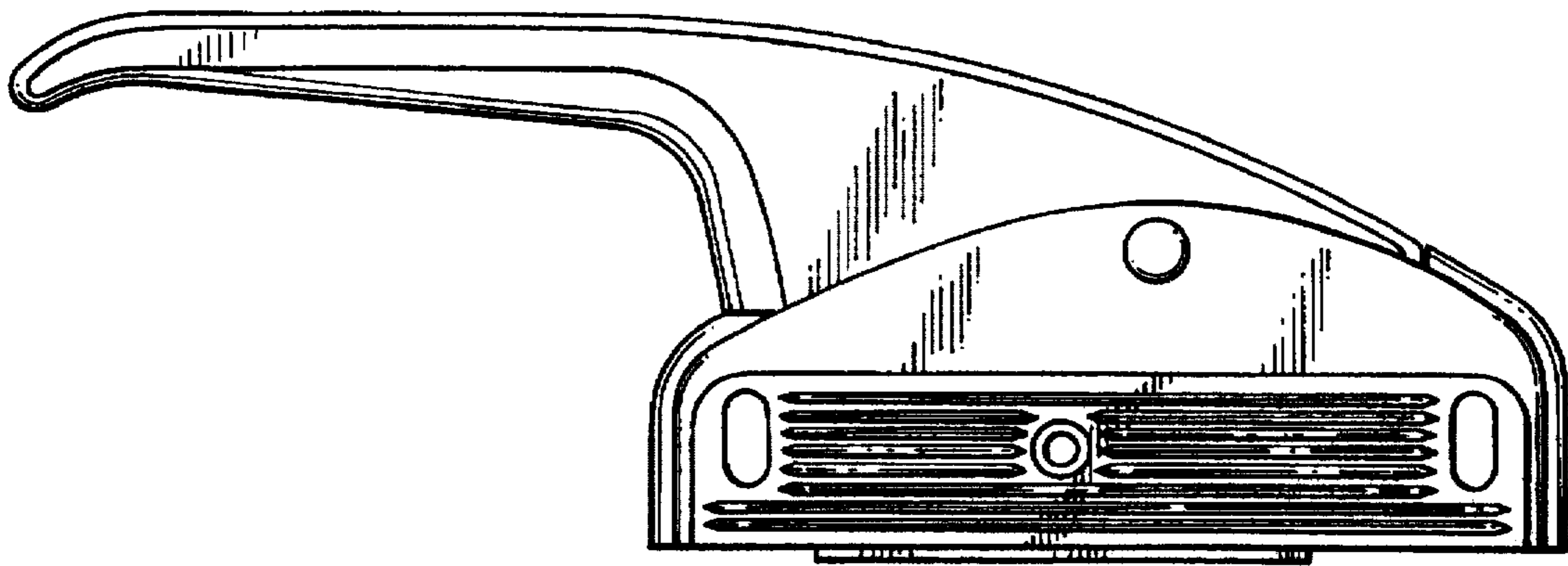


FIG. 3



FIG. 5

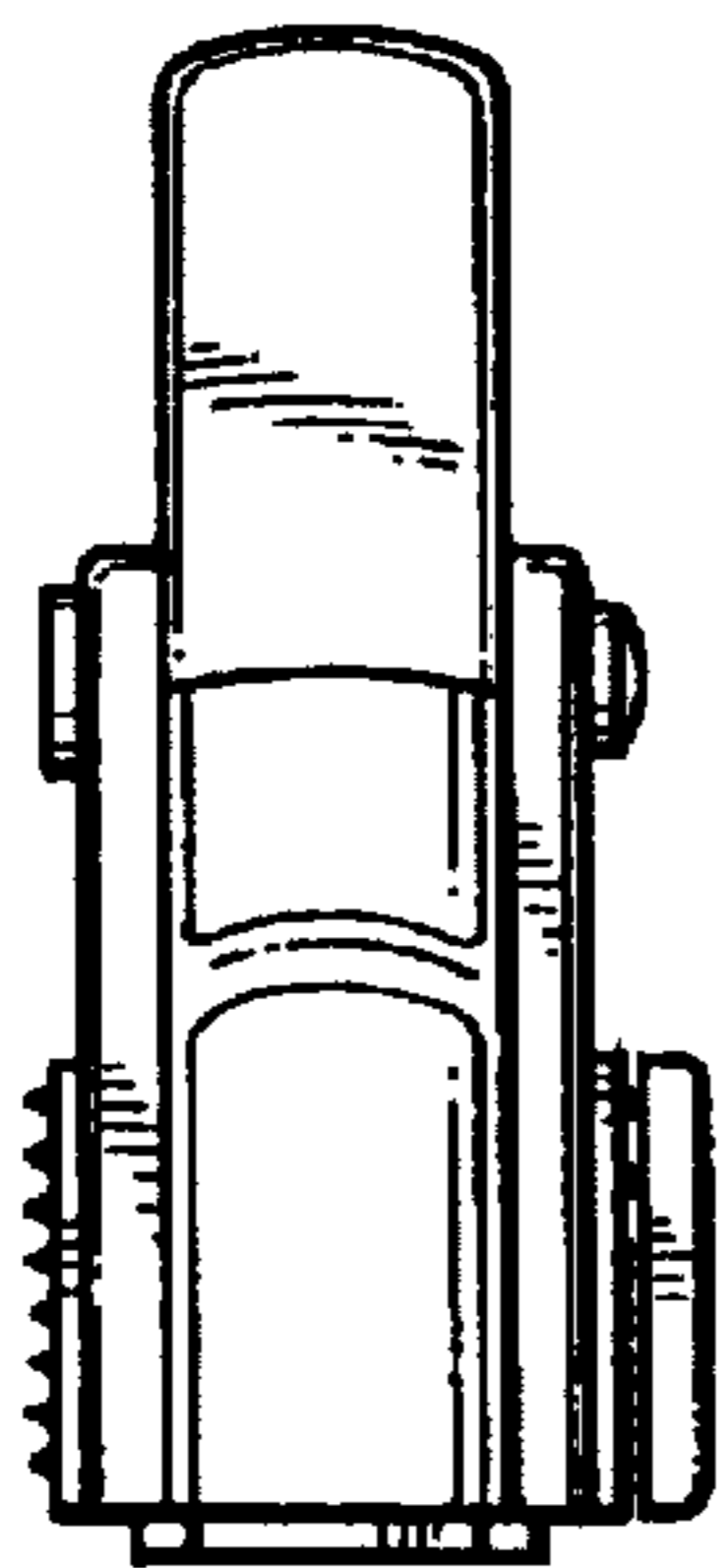


FIG. 6

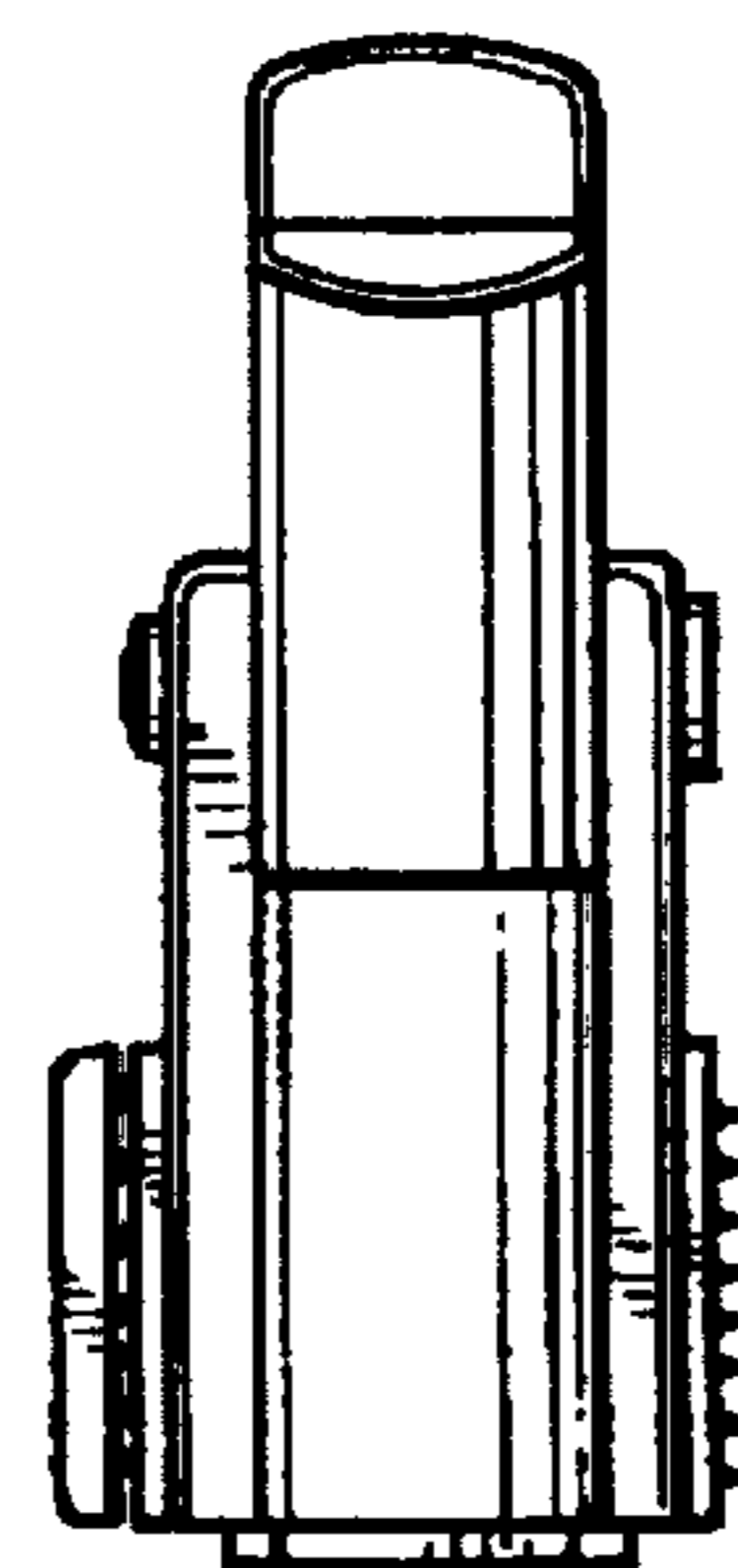


FIG. 7