



US00D391140S

United States Patent [19]
Field

[11] **Patent Number:** **Des. 391,140**
[45] **Date of Patent:** ****Feb. 24, 1998**

[54] **VEHICLE ANTI-THEFT DEVICE**
[75] **Inventor:** **David Field**, Surrey, United Kingdom
[73] **Assignee:** **Metro Products (Accessories & Leisure) Ltd**, United Kingdom
[**] **Term:** **14 Years**

D. 339,973 10/1993 Chen D8/331
D. 340,855 11/1993 Wu et al. D8/331
5,197,309 3/1993 Del Rosario 70/209

Primary Examiner—Brian N. Vinson
Attorney, Agent, or Firm—Dinsmore & Shohl LLP

[21] **Appl. No.:** **56,006**
[22] **Filed:** **Jun. 19, 1996**

[57] **CLAIM**

The ornamental design for a vehicle anti-theft device, as shown and described.

[30] **Foreign Application Priority Data**
Dec. 20, 1995 [GB] United Kingdom 2052906

DESCRIPTION

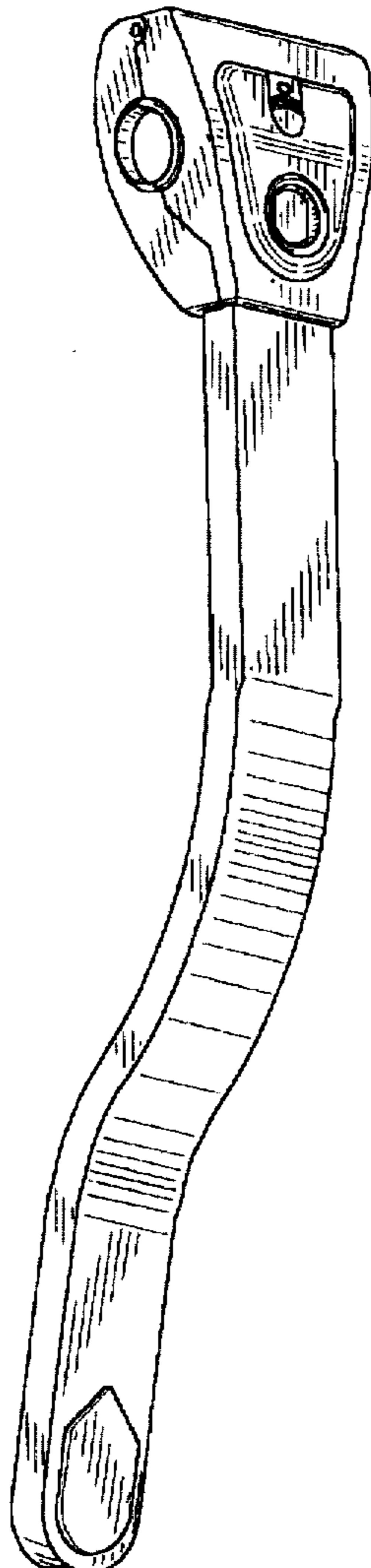
[51] **LOC (6) Cl.** **08-07**
[52] **U.S. Cl.** **D8/331**
[58] **Field of Search** **D8/330-331, 333,**
D8/336, 338, 346; 70/207-211, 225-226,
237-238

FIG. 1 is a top perspective view of the vehicle anti-theft device embodying my new design;
FIG. 2 is a front view thereof;
FIG. 3 is a rear view thereof;
FIG. 4 is a right side view thereof;
FIG. 5 is a left side view thereof;
FIG. 6 is a front view thereof;
FIG. 7 is a rear end view thereof; and,
FIG. 8 is an enlarged partial front view of the locking portion thereof.

[56] **References Cited**
U.S. PATENT DOCUMENTS

D. 333,970 3/1993 Stamer D8/331

1 Claim, 5 Drawing Sheets



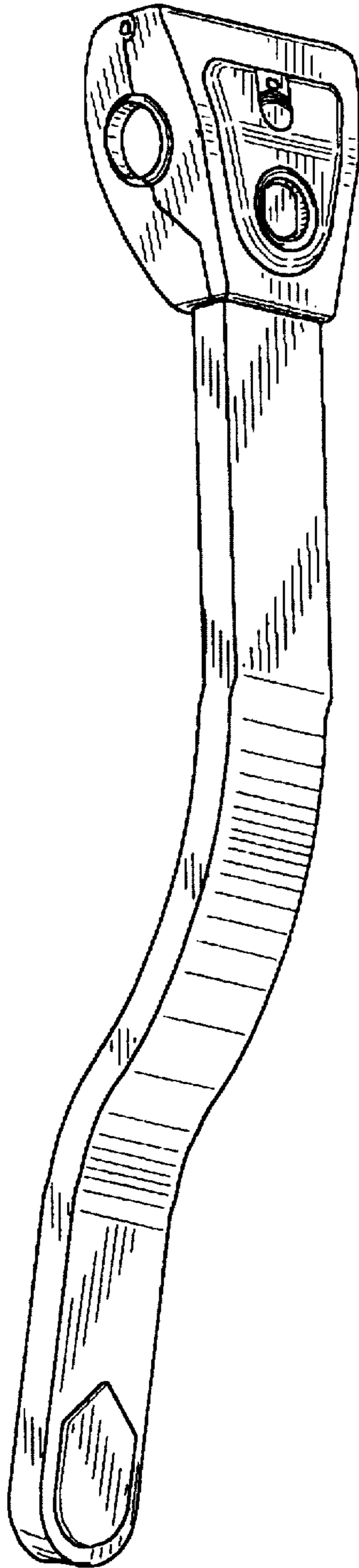


FIG. 1

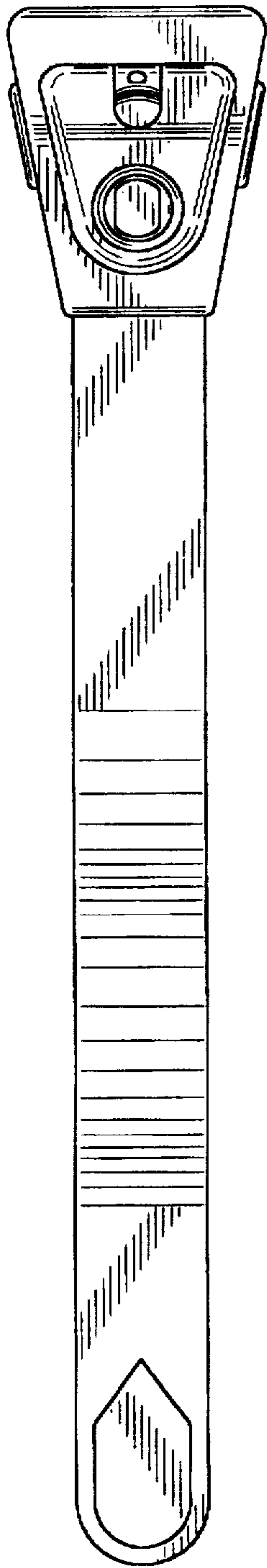


FIG. 2

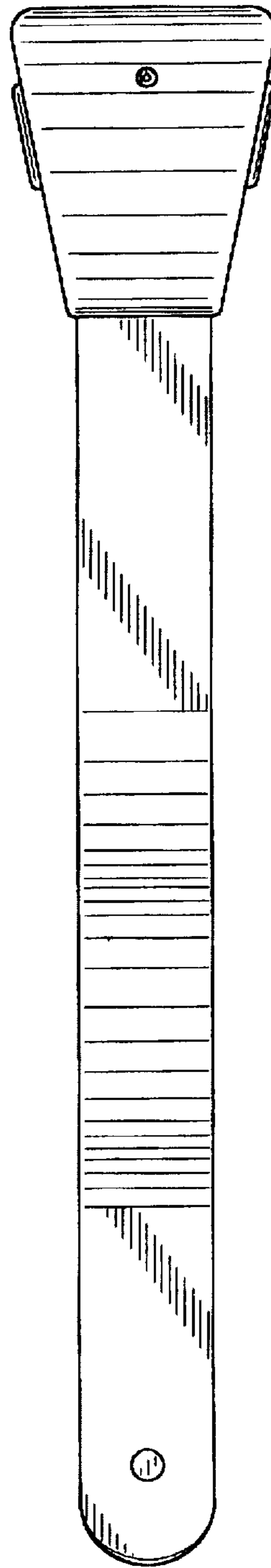


FIG. 3

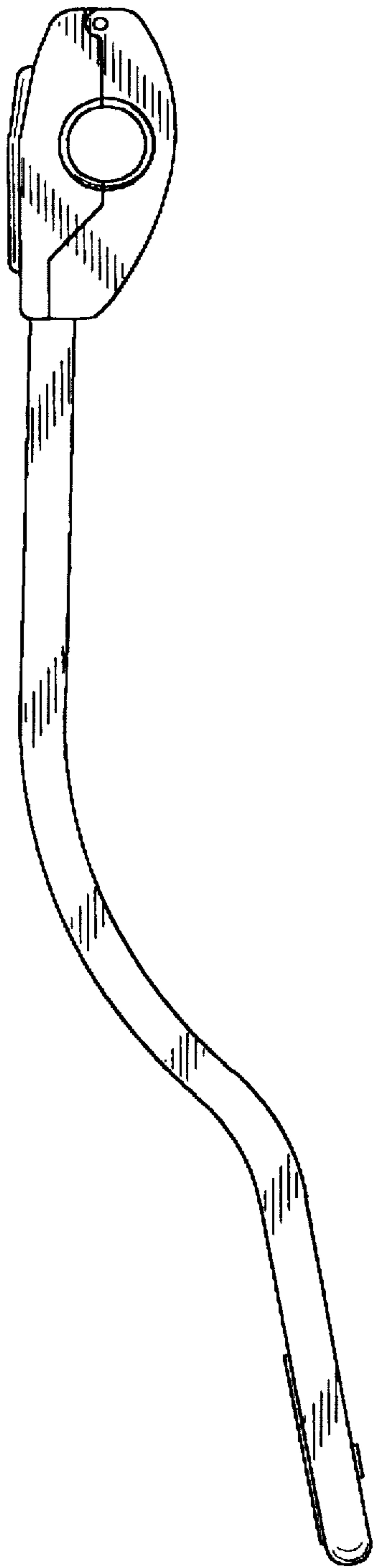


FIG. 4

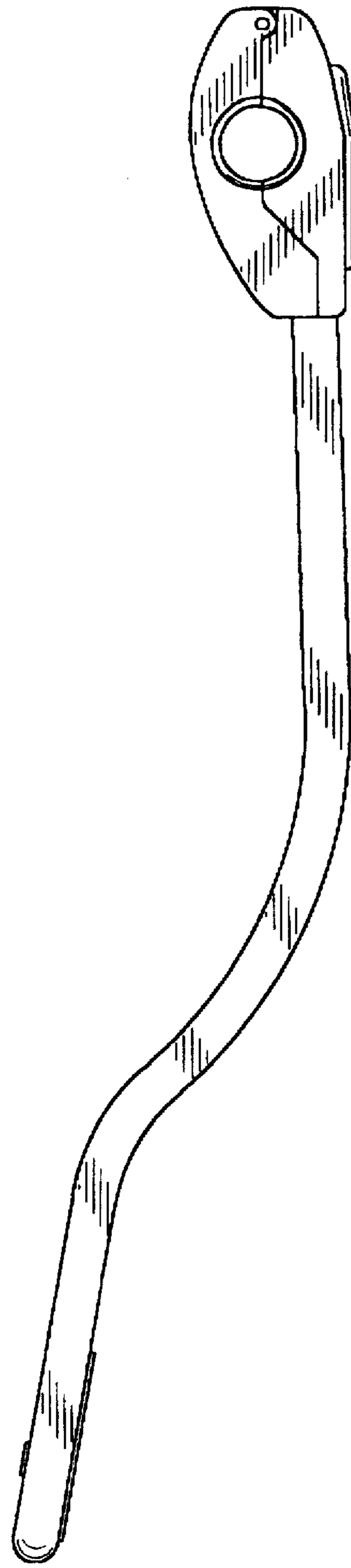


FIG. 5

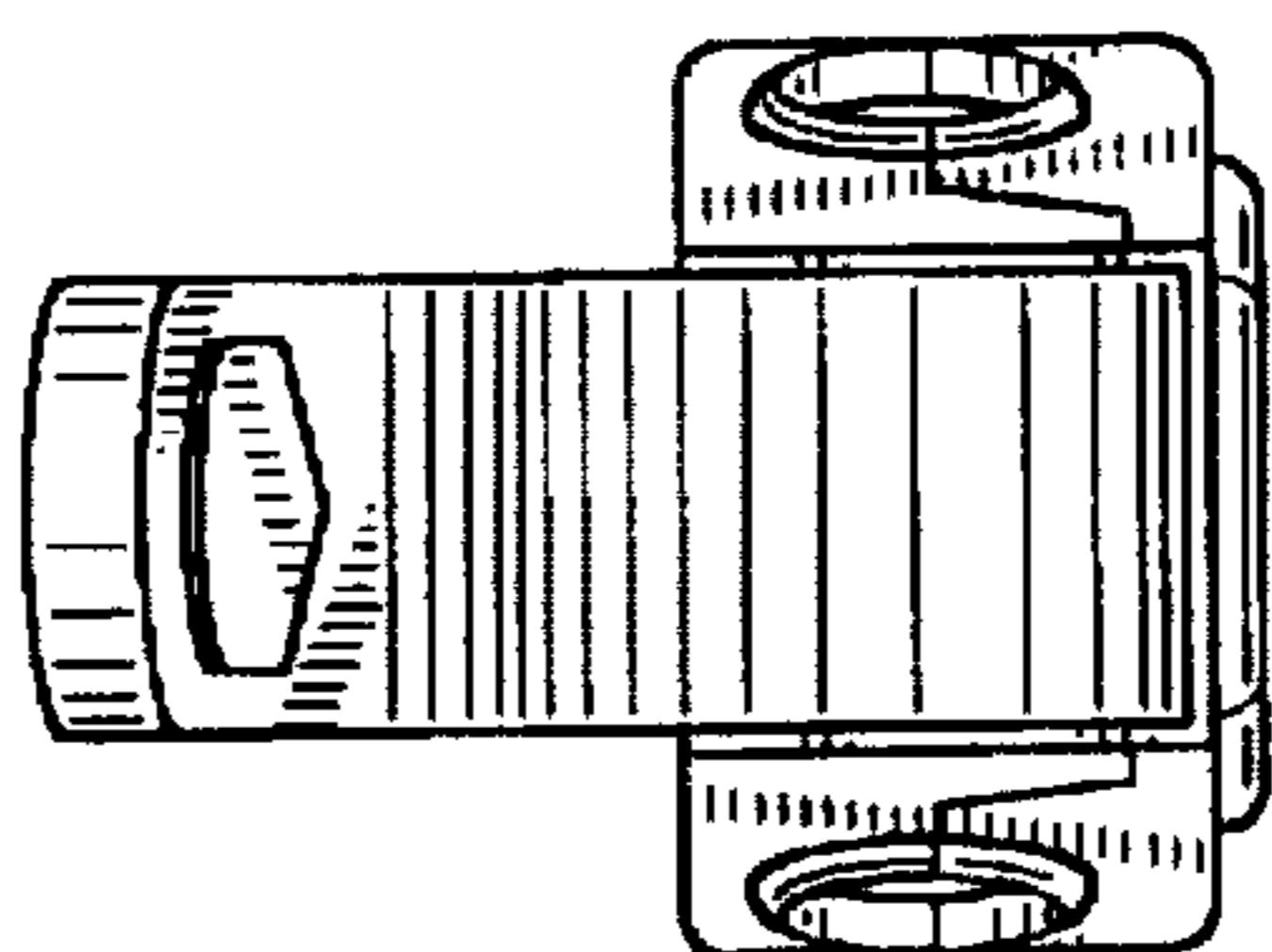


FIG. 6

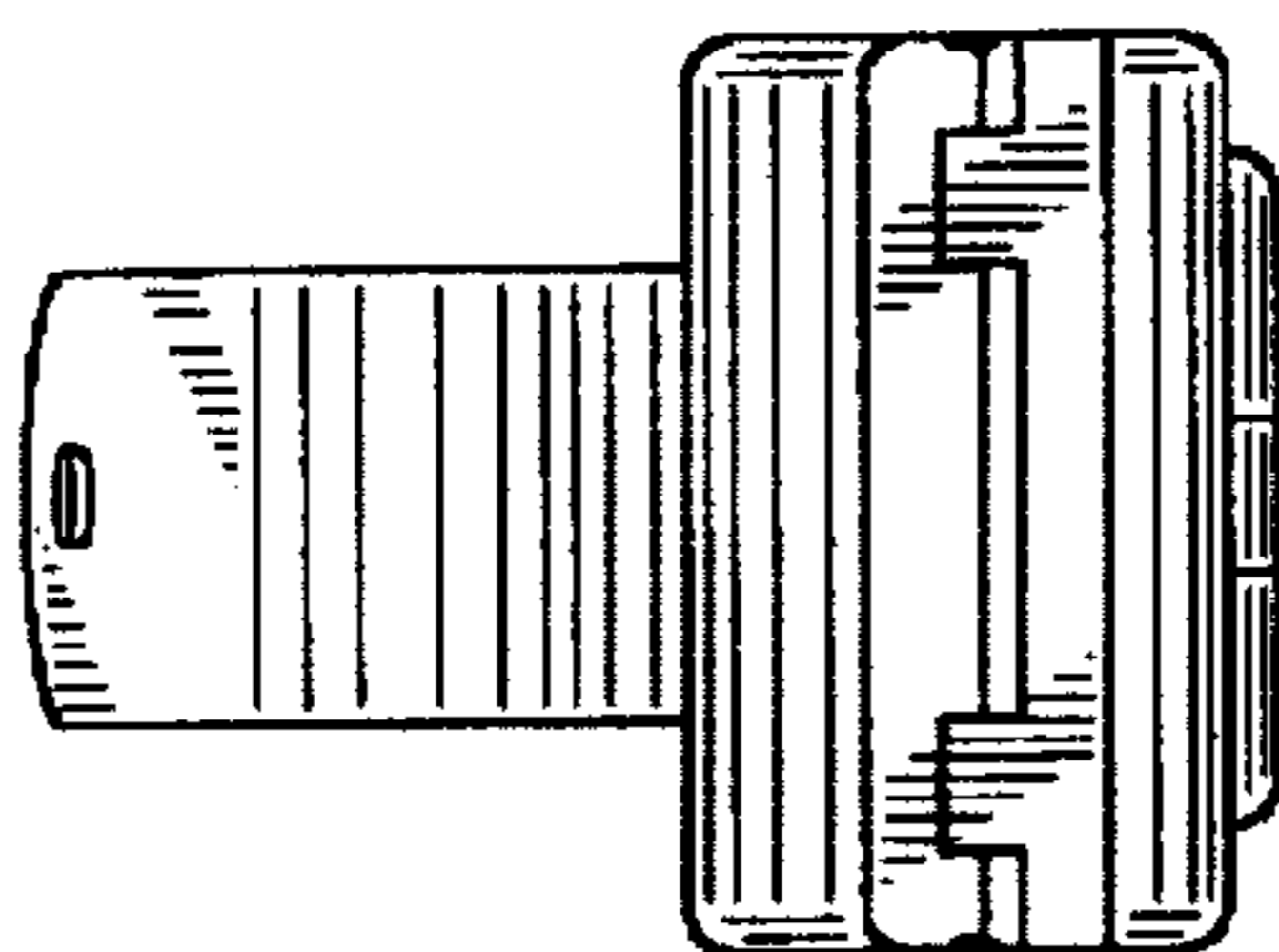


FIG. 7

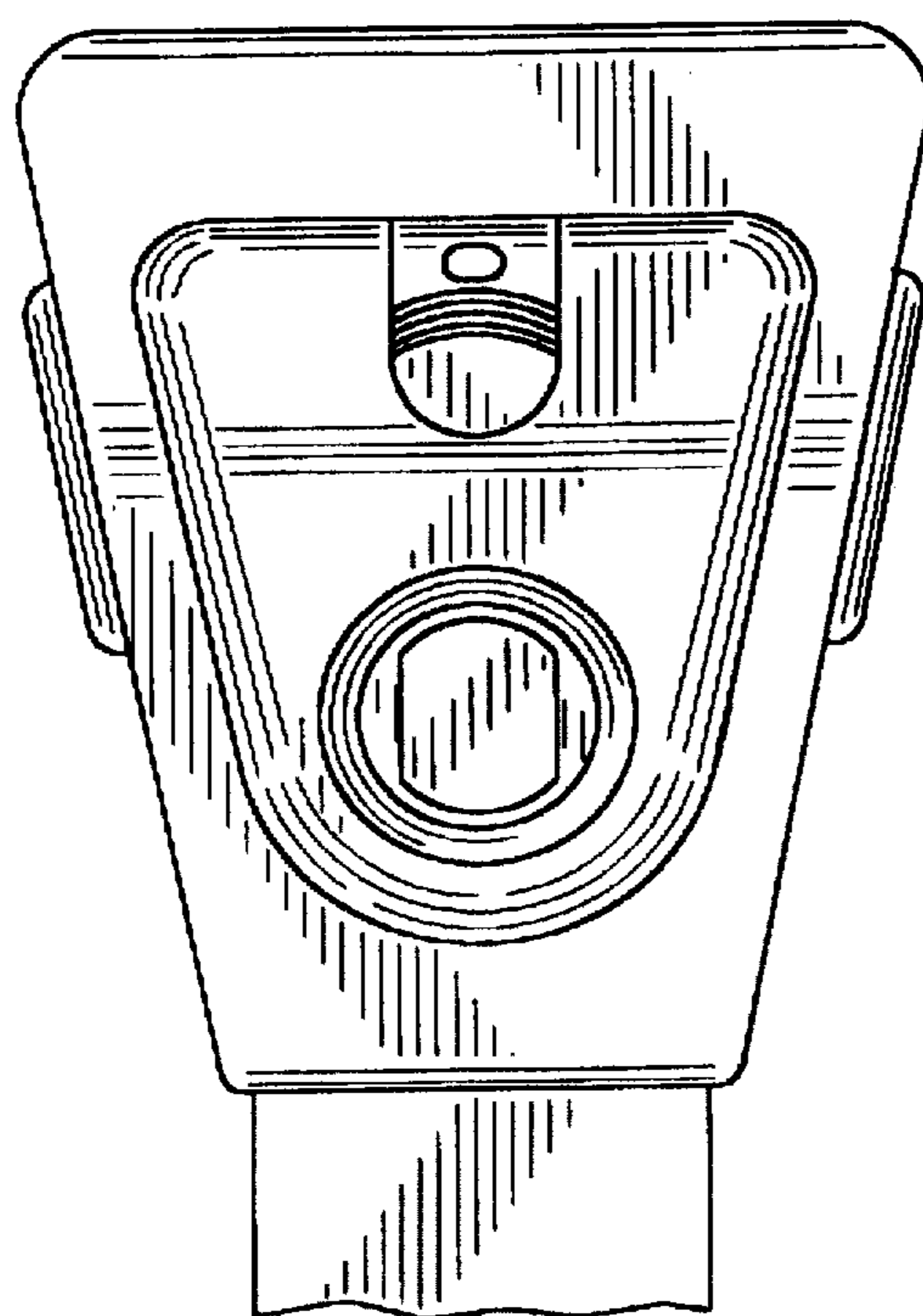


FIG. 8