



US00D391135S

United States Patent [19]

Habermehl et al.

[11] Patent Number: **Des. 391,135**

[45] Date of Patent: ****Feb. 24, 1998**

[54] **SCREWDRIVING TOOL FOR COLLATED FASTENERS**

5,473,965	12/1995	Chen	81/434
5,531,142	7/1996	Adamo	81/434
5,568,753	10/1996	Habermehl et al.	81/434
5,570,618	11/1996	Habermehl et al.	81/434

[75] Inventors: **G. Lyle Habermehl**, 436 Calvert Dr., Gallatin, Tenn. 37066; **Paul Townsend Scherer**, Lexington, Ky.

Primary Examiner—Philip S. Hyder
Attorney, Agent, or Firm—Dorsey & Whitney LLP

[73] Assignee: **G. Lyle Habermehl**, Gallatin, Tenn.

[57] **CLAIM**

[**] Term: **14 Years**

The ornamental design for a screwdriving tool for collated fasteners, as shown and described.

[21] Appl. No.: **63,864**

DESCRIPTION

[22] Filed: **Dec. 17, 1996**

[51] LOC (6) Cl. **08-03**

[52] U.S. Cl. **D8/70**

[58] Field of Search D8/61, 70, 82, D8/85, 87; 81/434, 435, 433, 431, 438

FIG. 1 is a perspective view of the front of a screwdriving tool for collated fasteners showing our new design; FIG. 2 is a perspective view of the rear thereof; FIG. 3 is a front view thereof; FIG. 4 is a side view thereof; FIG. 5 is a rear view thereof; FIG. 6 is a second, opposite side view thereof; FIG. 7 is a top view thereof; and, FIG. 8 is a bottom view thereof.

[56] References Cited

U.S. PATENT DOCUMENTS

4,062,389	12/1977	Lejdegard	81/434
5,284,074	2/1994	Chen	81/434

1 Claim, 5 Drawing Sheets

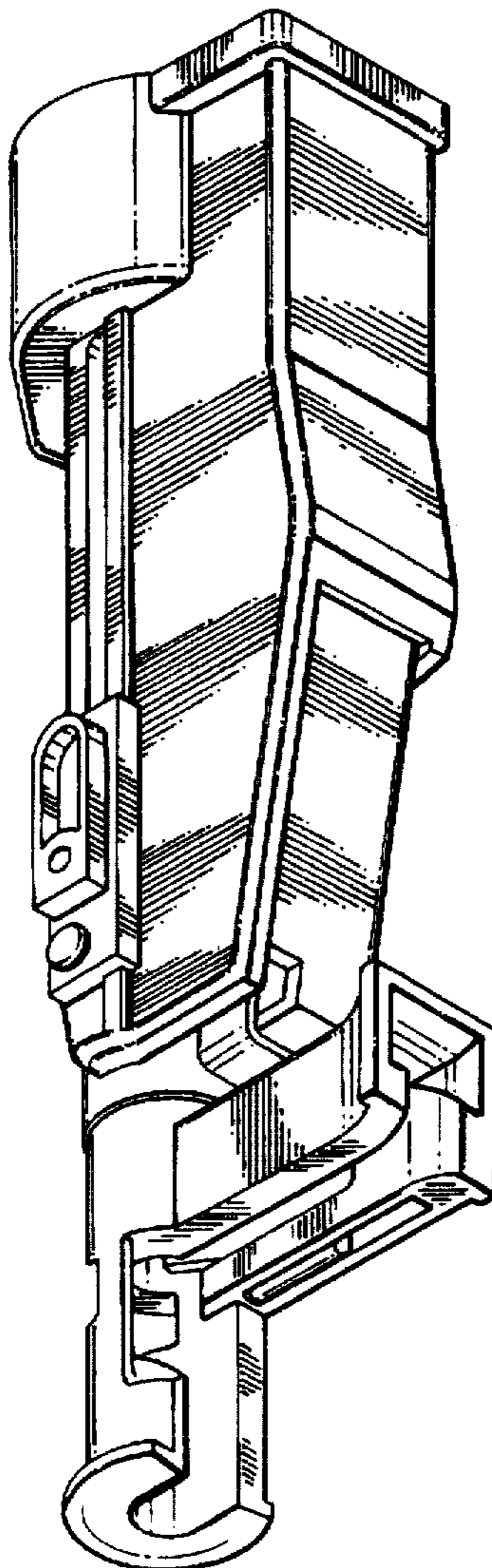


FIG.1.

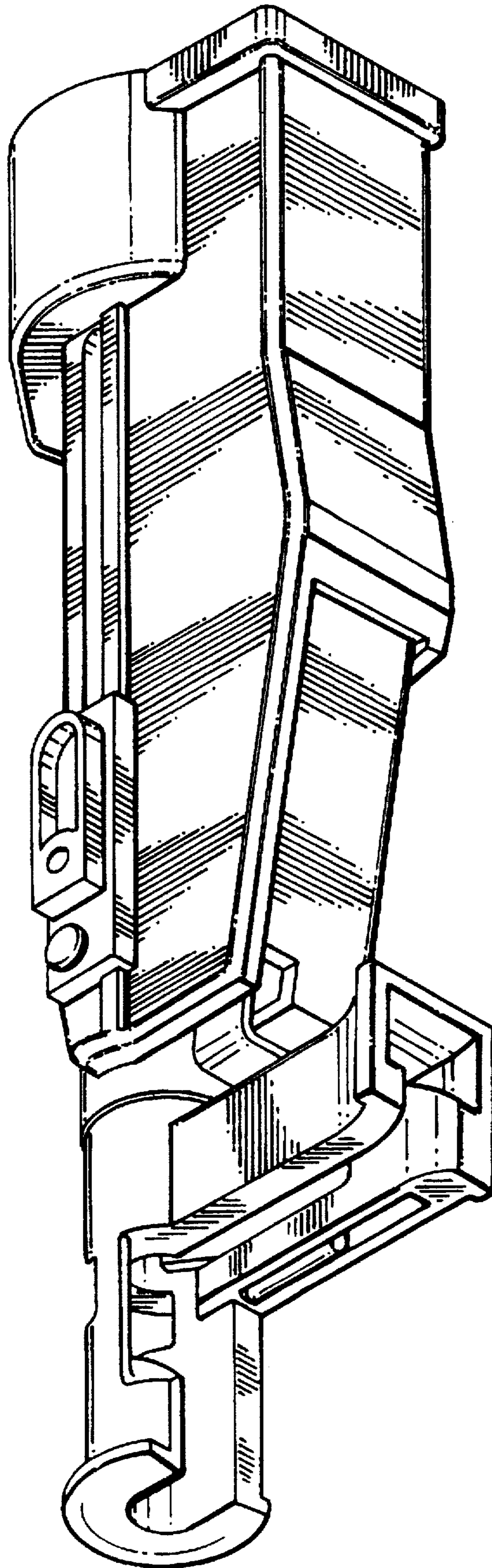


FIG. 2.

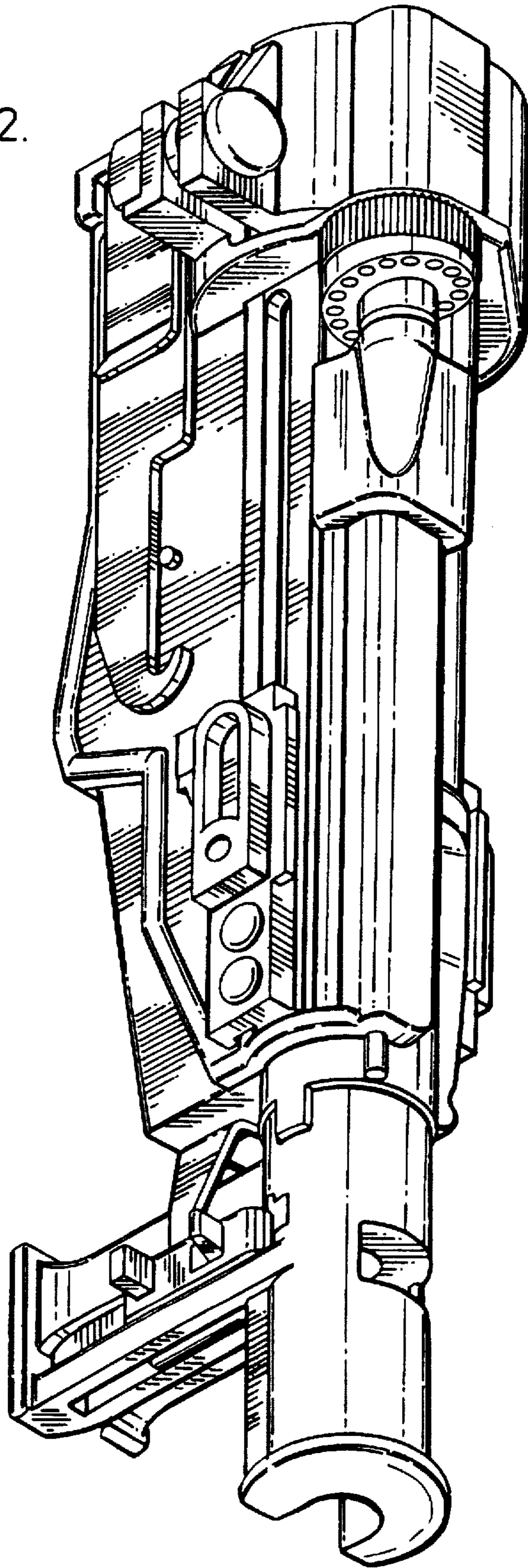


FIG. 3.

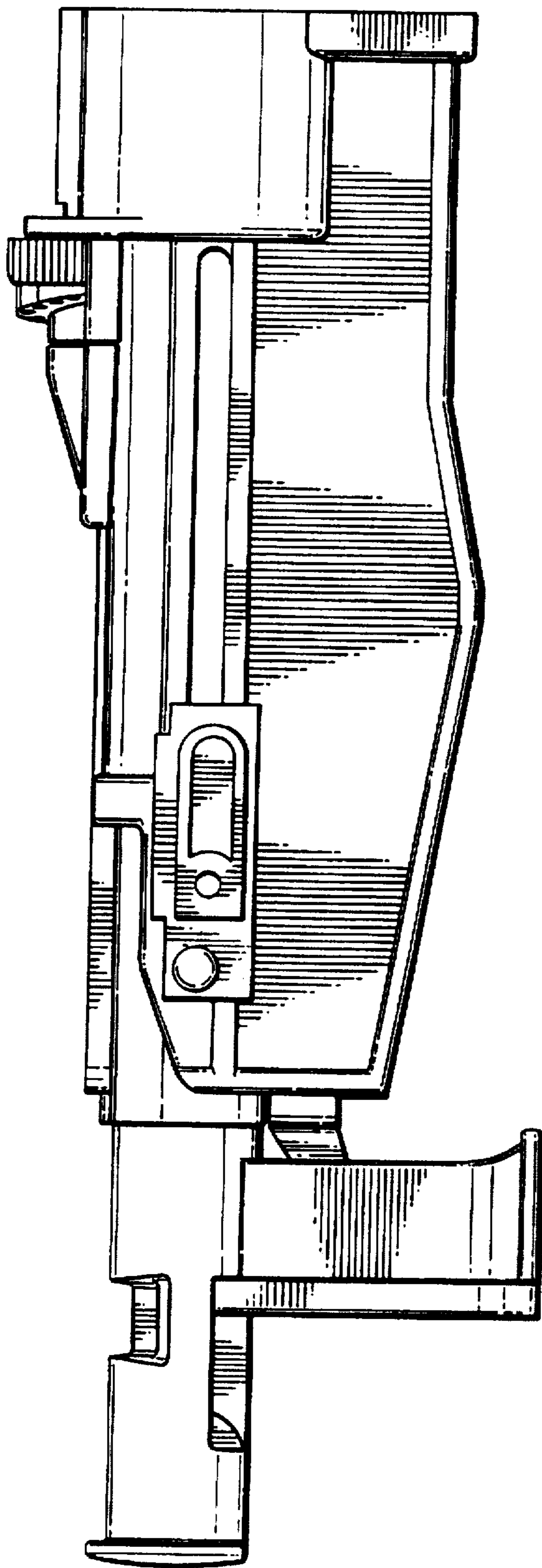


FIG. 4.

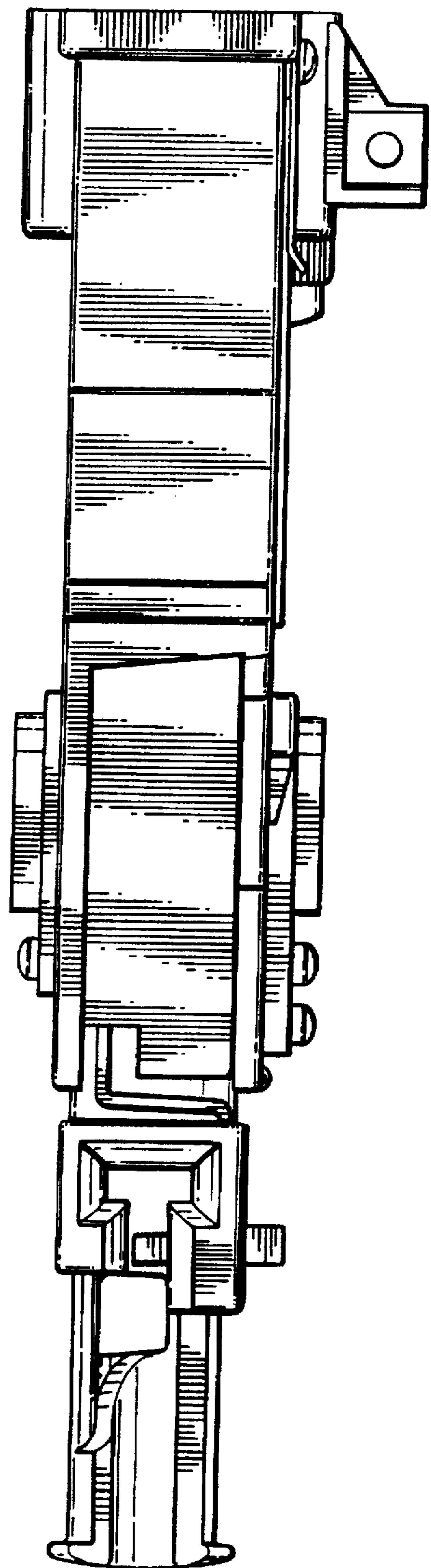


FIG. 5.

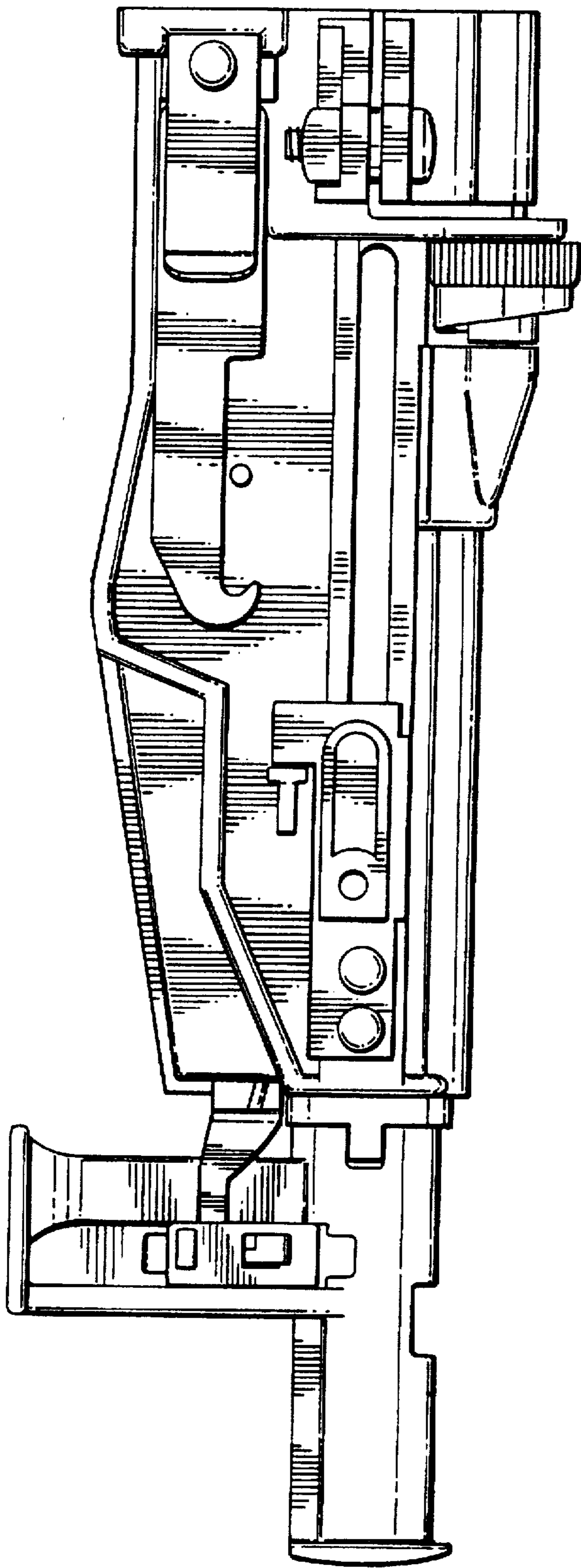


FIG. 6.

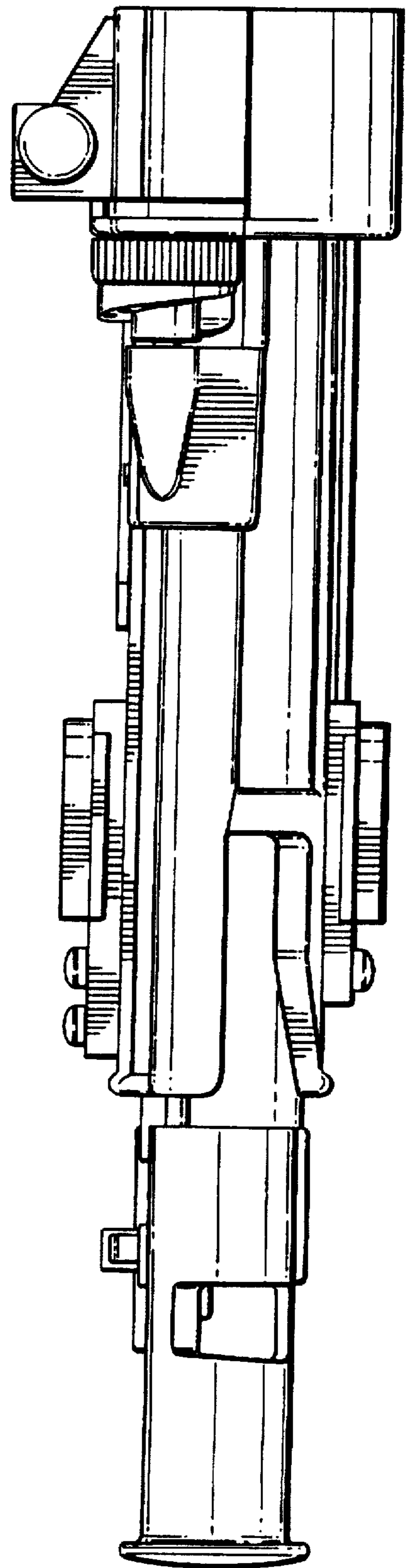


FIG. 7.

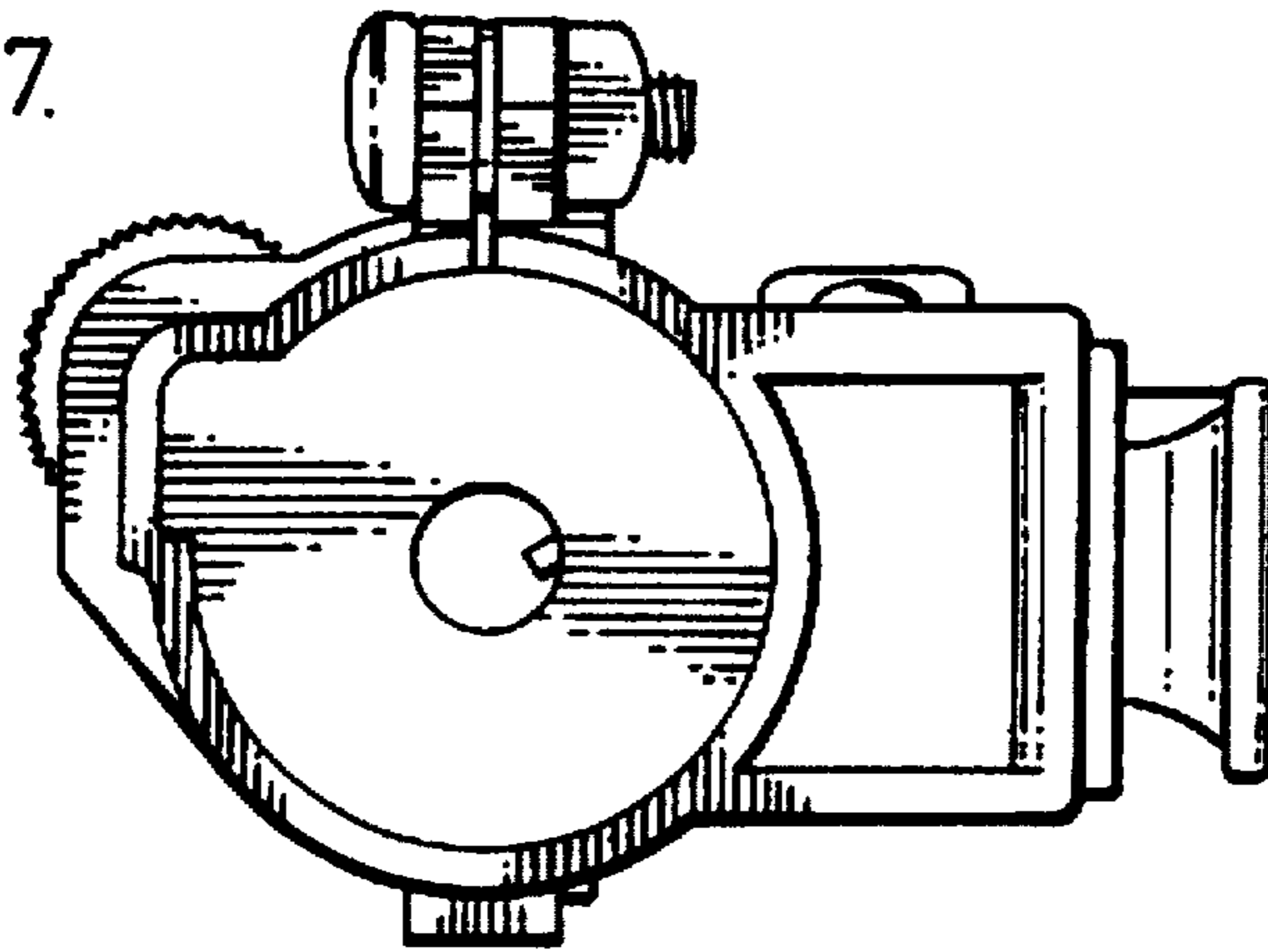


FIG. 8.

