



US00D391134S

United States Patent [19] Laib

[11] Patent Number: Des. 391,134

[45] Date of Patent: **Feb. 24, 1998

[54] BOTTLE OPENER

[75] Inventor: Douglas M. Laib, Orlando, Fla.

[73] Assignee: Dart Industries Inc., Orlando, Fla.

[**] Term: 14 Years

[21] Appl. No.: 54,291

[22] Filed: May 9, 1996

[51] LOC (6) Cl. 07-99

[52] U.S. Cl. D8/40; D8/33

[58] Field of Search D8/18, 19, 33-43;
7/151-156; 30/400-404, 448

[56] **References Cited**

U.S. PATENT DOCUMENTS

D. 38,166	8/1906	Hasselbring	D8/40
D. 92,795	7/1934	Ebert	D8/38
D. 126,577	4/1941	Erleben	D8/43
D. 238,411	1/1976	Levenson	D8/18
D. 303,071	8/1989	Ancona et al.	D8/33
814,834	3/1906	Coughlin	81/3.45

4,607,407	8/1986	Bergmeister	7/156
4,923,392	5/1990	Moynihan, III	431/253
5,082,145	1/1992	McDonald	222/105

OTHER PUBLICATIONS

House & Garden p. 96; Bottle Opener top left of page, Oct. 1950.

Primary Examiner—Caron D. Veynar
Attorney, Agent, or Firm—John A. Doninger

[57] **CLAIM**

The ornamental design for a bottle opener, as shown.

DESCRIPTION

FIG. 1 is a top, front and side perspective view of a bottle opener showing my new design;
FIG. 2 is a top plan view thereof;
FIG. 3 is a bottom plan view thereof;
FIG. 4 is a right elevation view thereof;
FIG. 5 is a left elevation view thereof;
FIG. 6 is a front elevation view thereof; and,
FIG. 7 is a rear elevation view thereof.

1 Claim, 2 Drawing Sheets

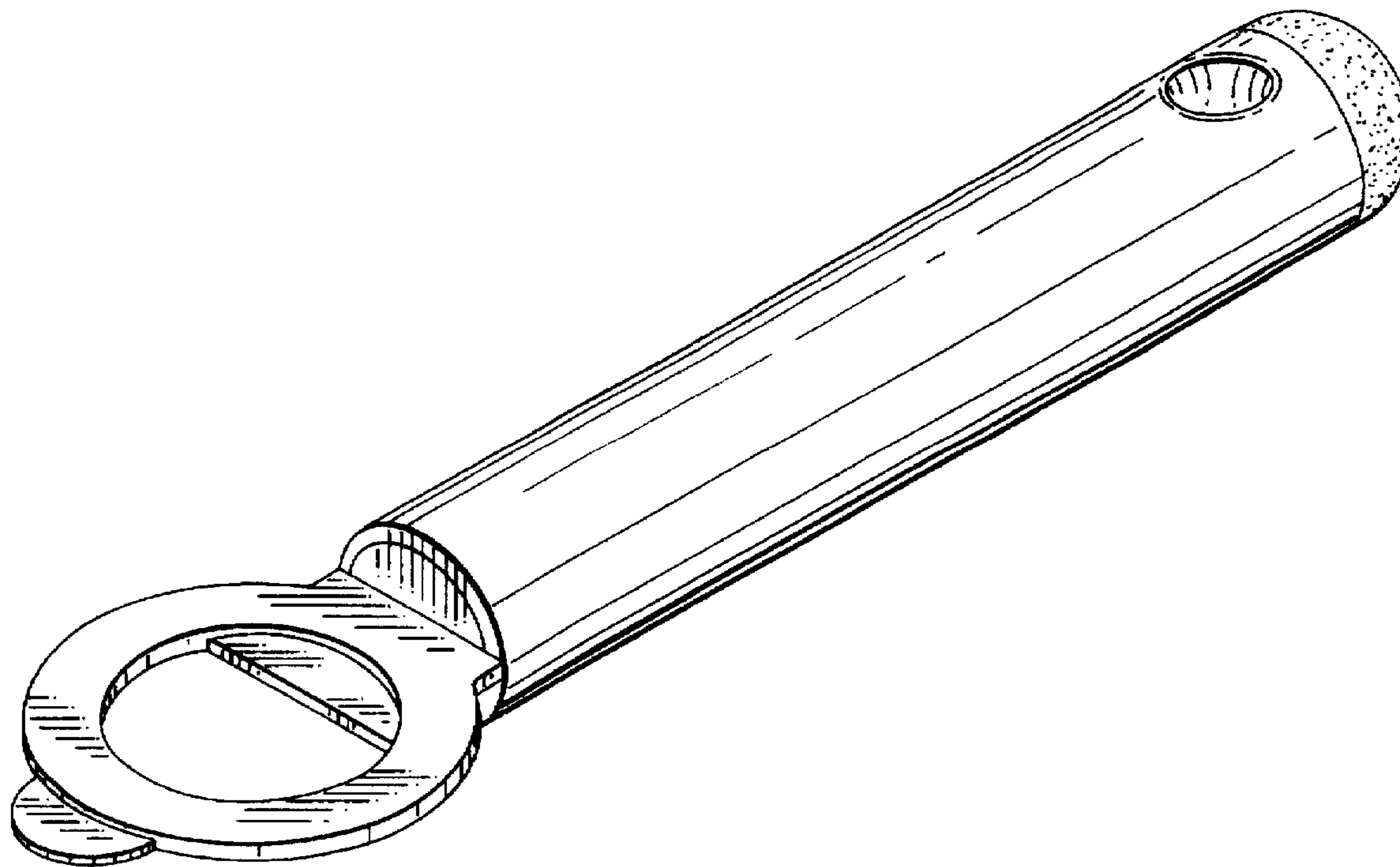


FIG. 1

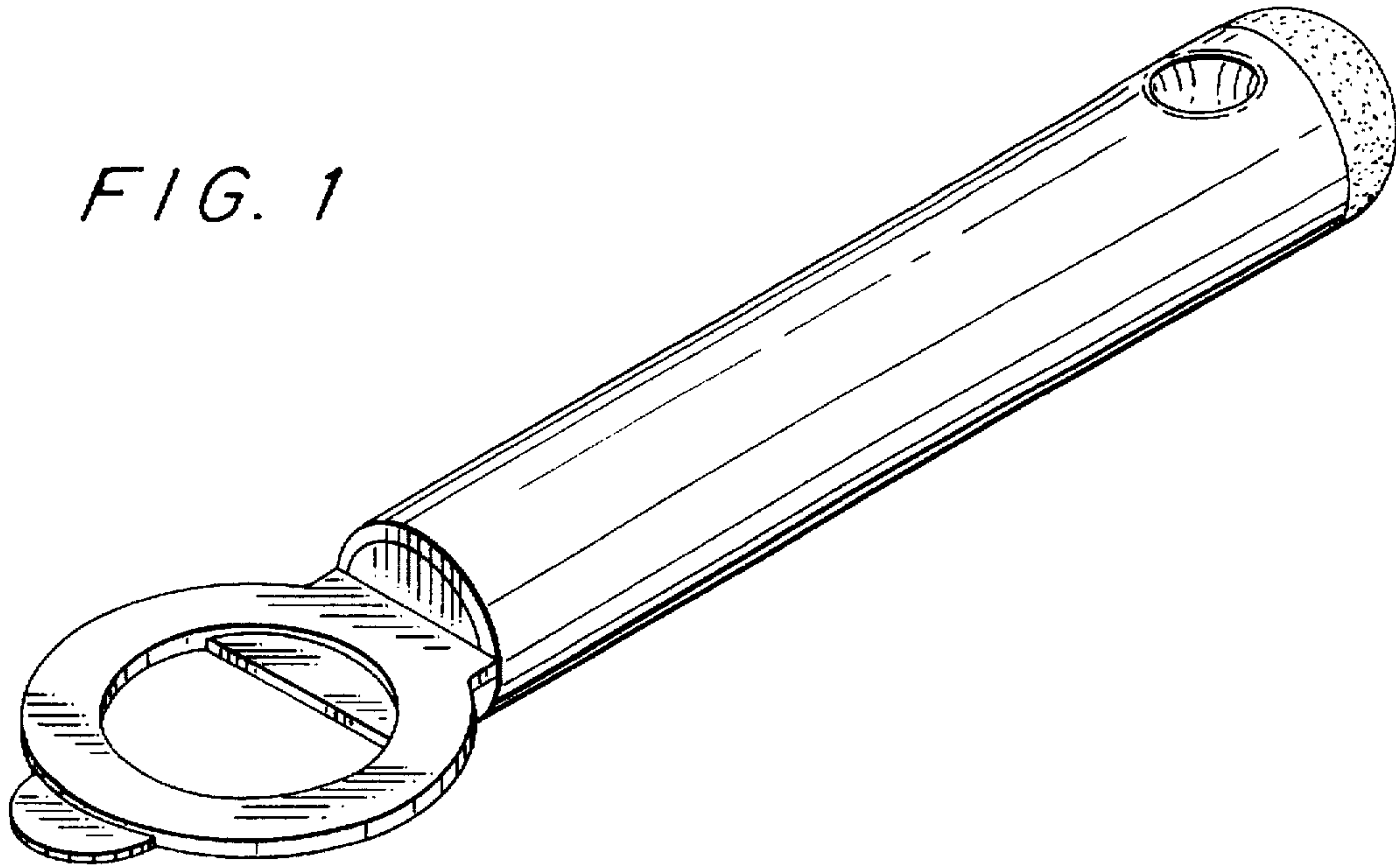


FIG. 2

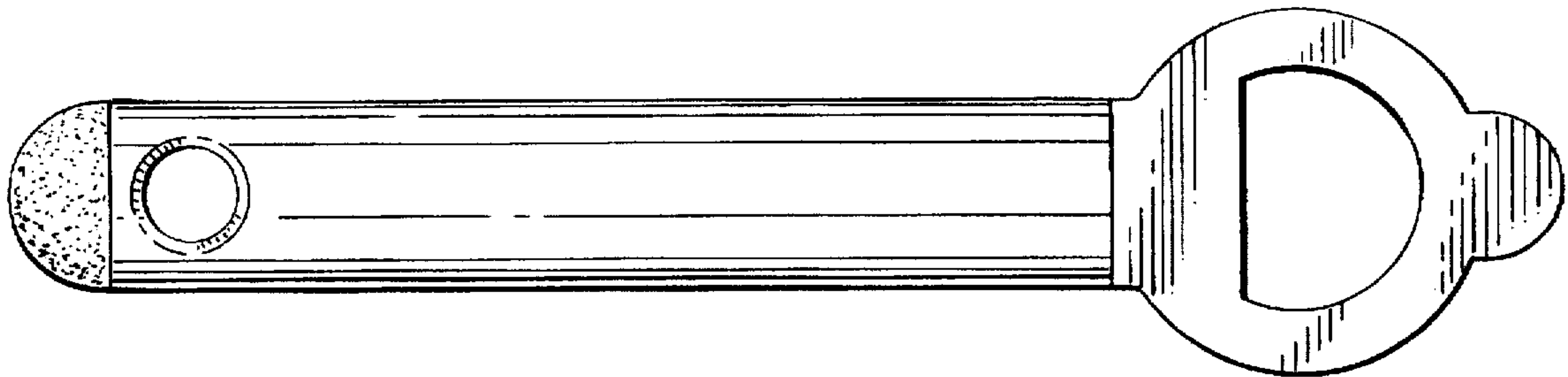
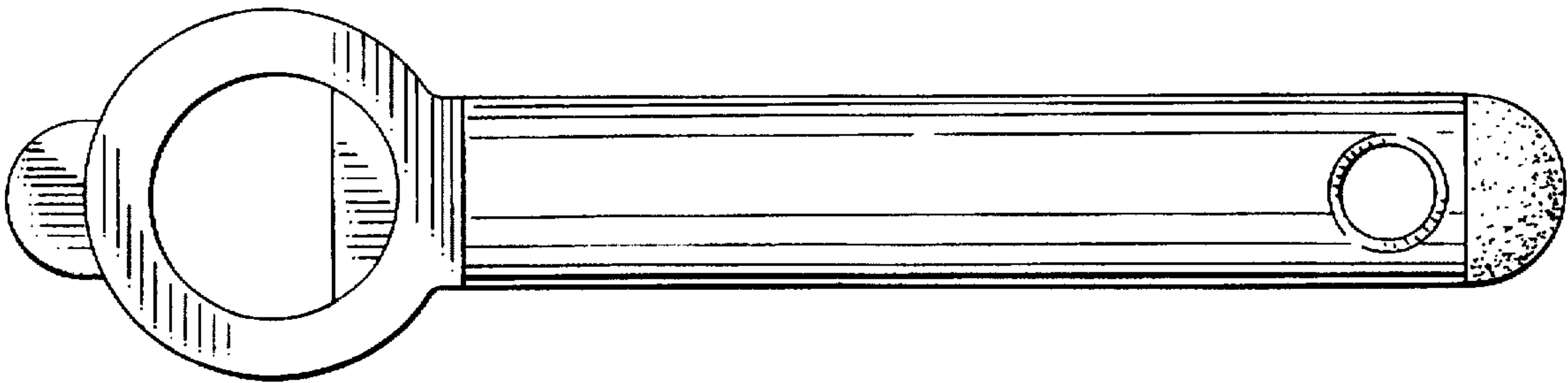


FIG. 3

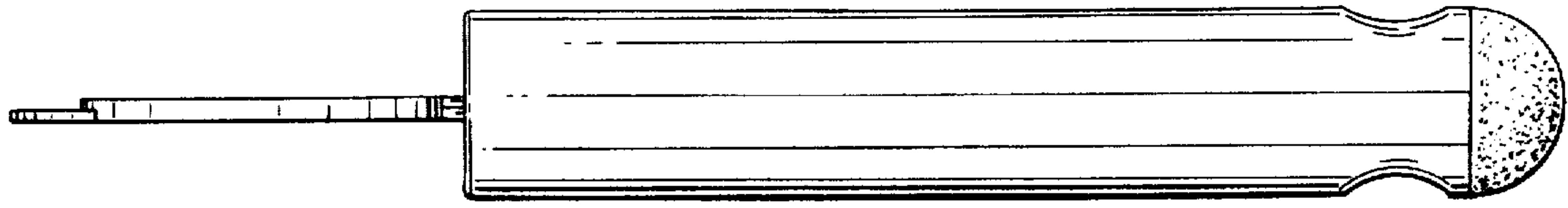


FIG. 4

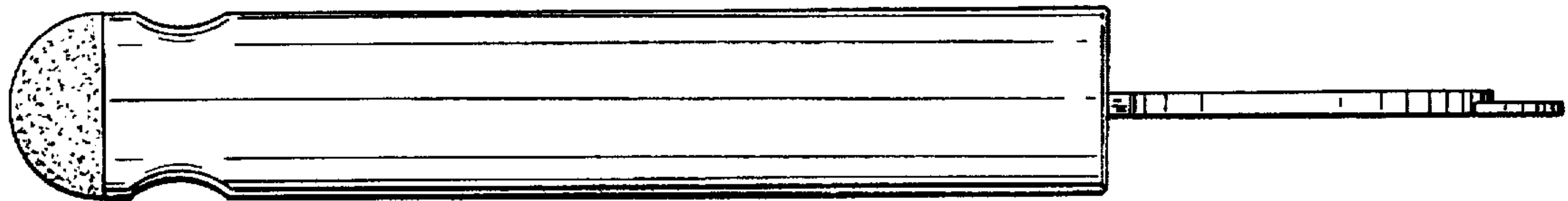


FIG. 5

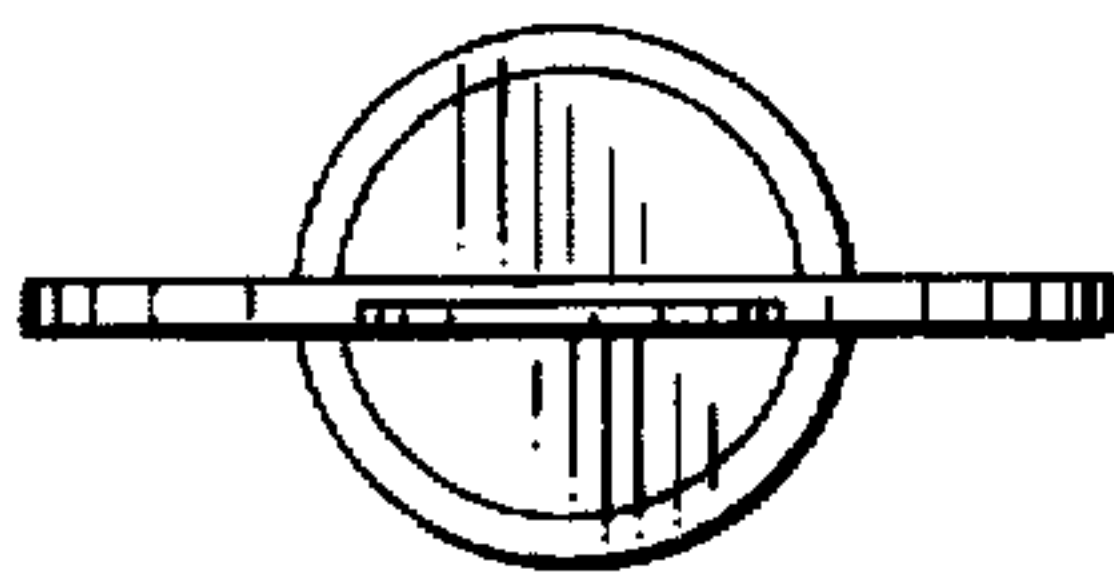


FIG. 6

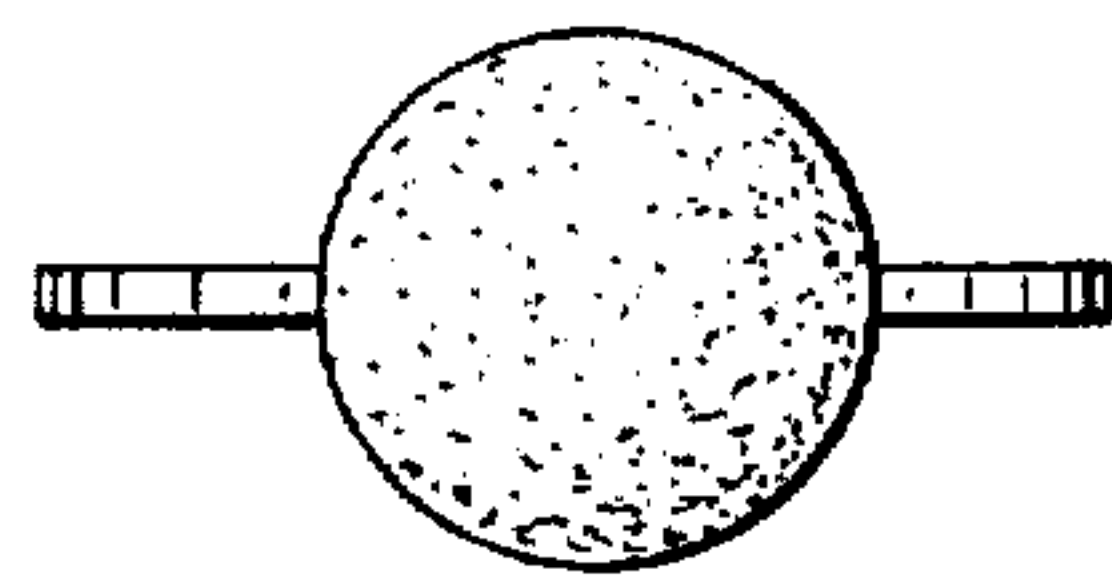


FIG. 7