



US00D391133S

United States Patent [19]
Lee

[11] **Patent Number:** **Des. 391,133**
[45] **Date of Patent:** ****Feb. 24, 1998**

[54] **GARDEN RAKE**

[75] **Inventor:** **Leonard G. Lee**, Ottawa, Canada
[73] **Assignee:** **Lee Valley Tools Ltd.**, Ontario, Canada
[**] **Term:** **14 Years**

[21] **Appl. No.:** **67,940**
[22] **Filed:** **Mar. 14, 1997**

[51] **LOC (6) Cl.** **08-01**
[52] **U.S. Cl.** **D8/13**
[58] **Field of Search** D8/1, 13; 7/114,
7/115; 37/316; 56/400.01, 400.04-400.07,
400.16-400.21; 172/371-375, 378; 294/49,
51, 52

[56] **References Cited**

U.S. PATENT DOCUMENTS

D. 198,860	8/1964	Fedorka, Jr.	D8/13
D. 206,076	10/1966	Lehman	D8/13 X
D. 211,596	7/1968	Gransden	D8/13
578,175	3/1897	Watts	37/316
1,614,385	1/1927	Otto	56/400.17
2,787,945	4/1957	Greiner	172/378
2,989,836	6/1961	Schaffer	56/400.01 X
4,244,168	1/1981	Howard	56/400.17
5,454,218	10/1995	Van Benschoten	56/400.17

OTHER PUBLICATIONS

Lee Valley catalog entitled *Garden Tools by Lee Valley*, Spring 1996, p. 21 item K; and p. 30, items A and E.

Primary Examiner—Alan P. Douglas
Assistant Examiner—Lavone D. Tabor
Attorney, Agent, or Firm—John S. Pratt; Kilpatrick Stockton LLP

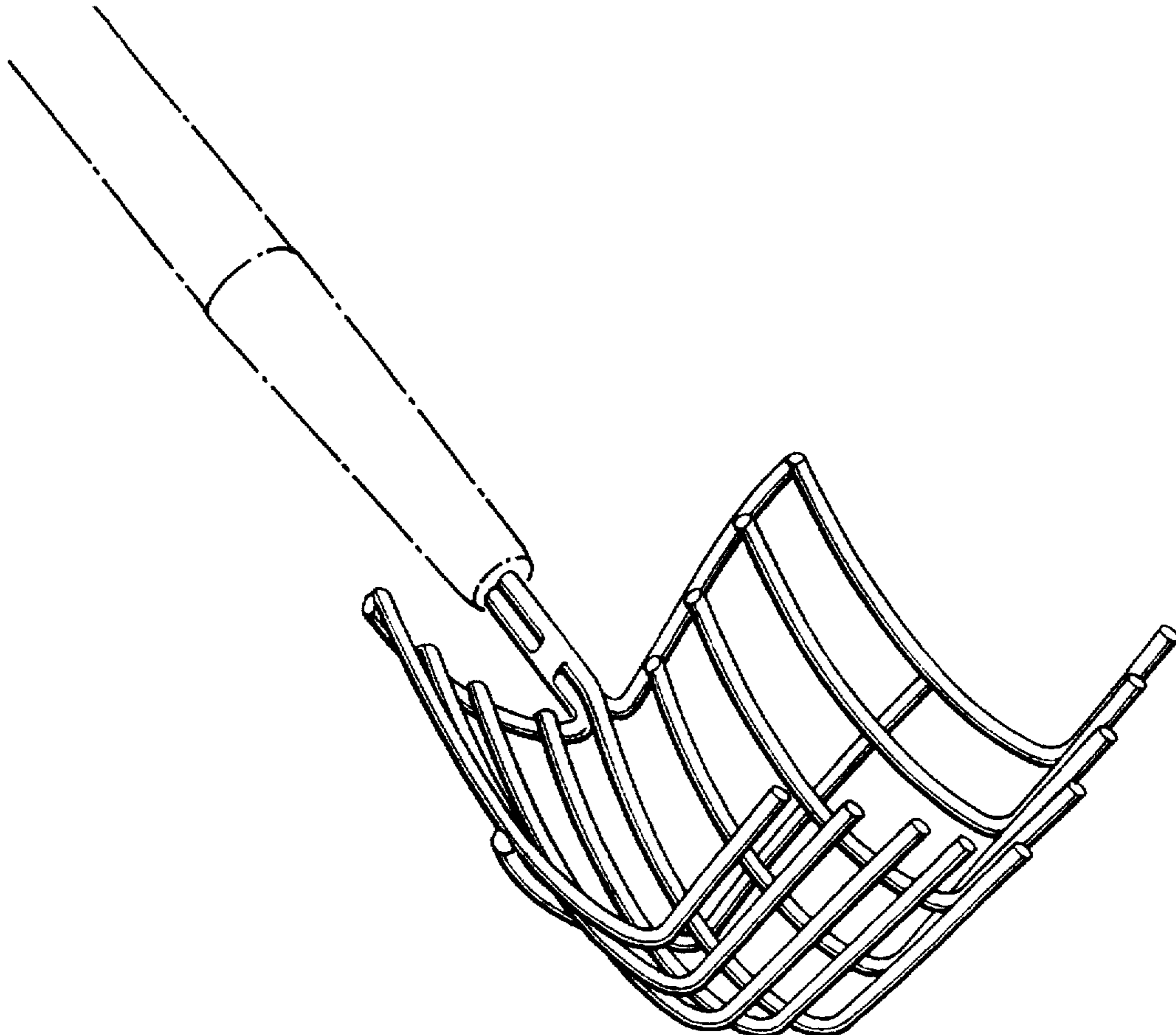
[57] **CLAIM**

The ornamental design for a garden rake, as shown and described.

DESCRIPTION

FIG. 1 is a perspective view of the convex side of a garden rake according to the present design;
FIG. 2 is a perspective view of the concave side of the garden rake of FIG. 1;
FIG. 3 is a right side view of the garden rake of FIG. 1;
FIG. 4 is a front view of the garden rake of FIG. 1;
FIG. 5 is a top view of the garden rake of FIG. 1;
FIG. 6 is a back view of the garden rake of FIG. 1; and,
FIG. 7 is a bottom view of the garden rake of FIG. 1.
The partial broken line showing of a handle in FIGS. 1 and 2 is for illustrative purposes only and forms no part of the claimed design.

1 Claim, 2 Drawing Sheets



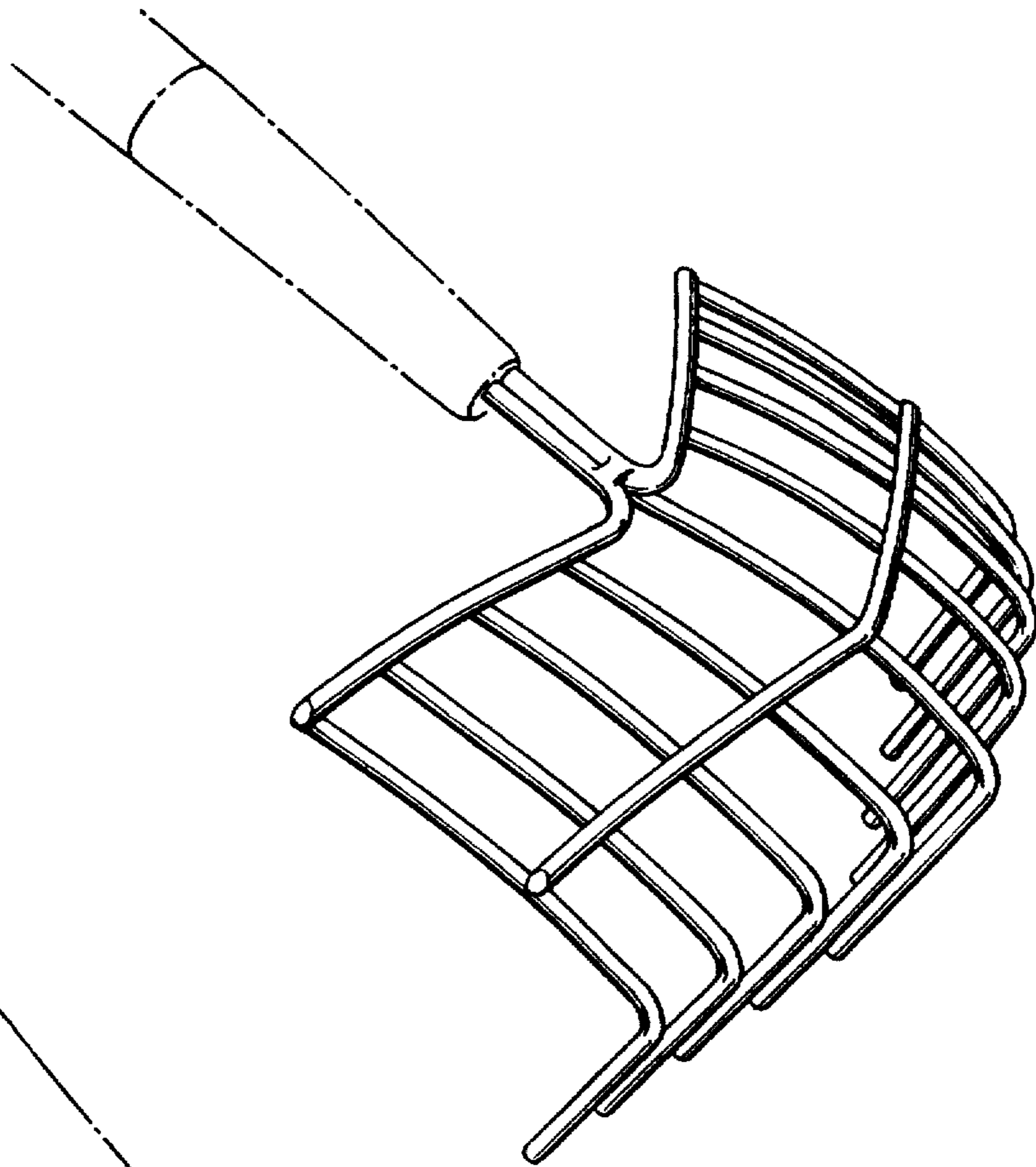


FIG 1

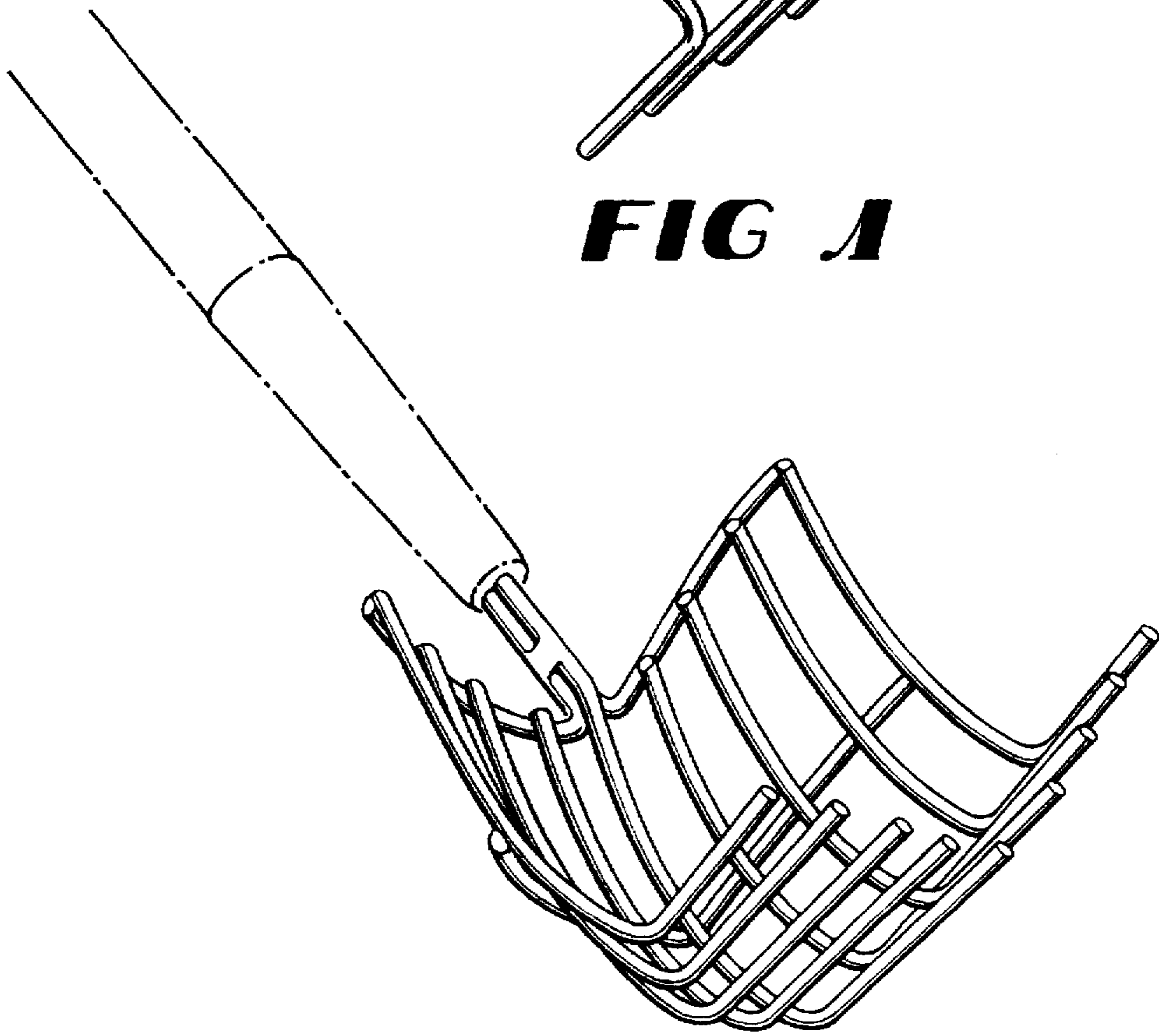


FIG 2

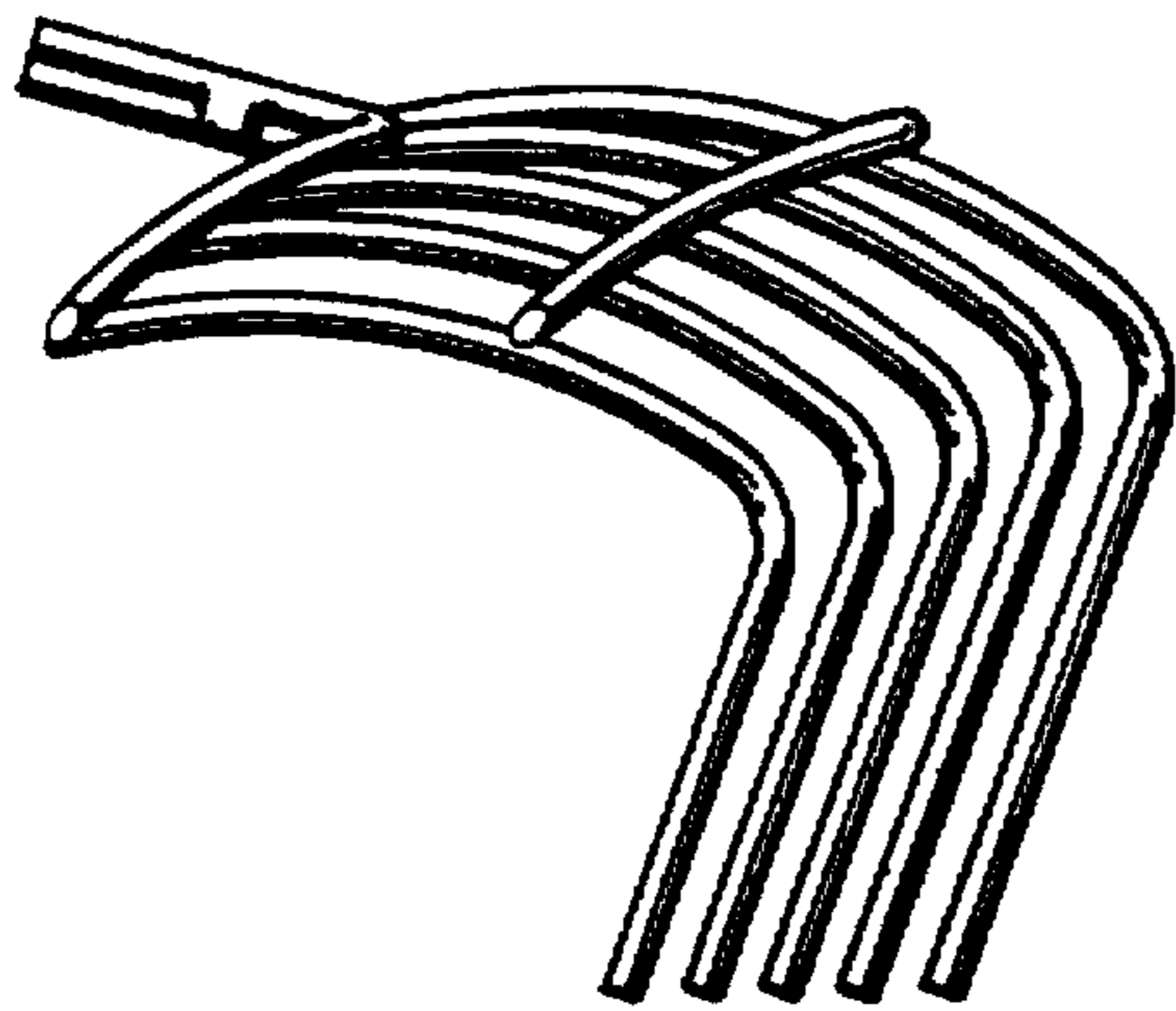


FIG 3

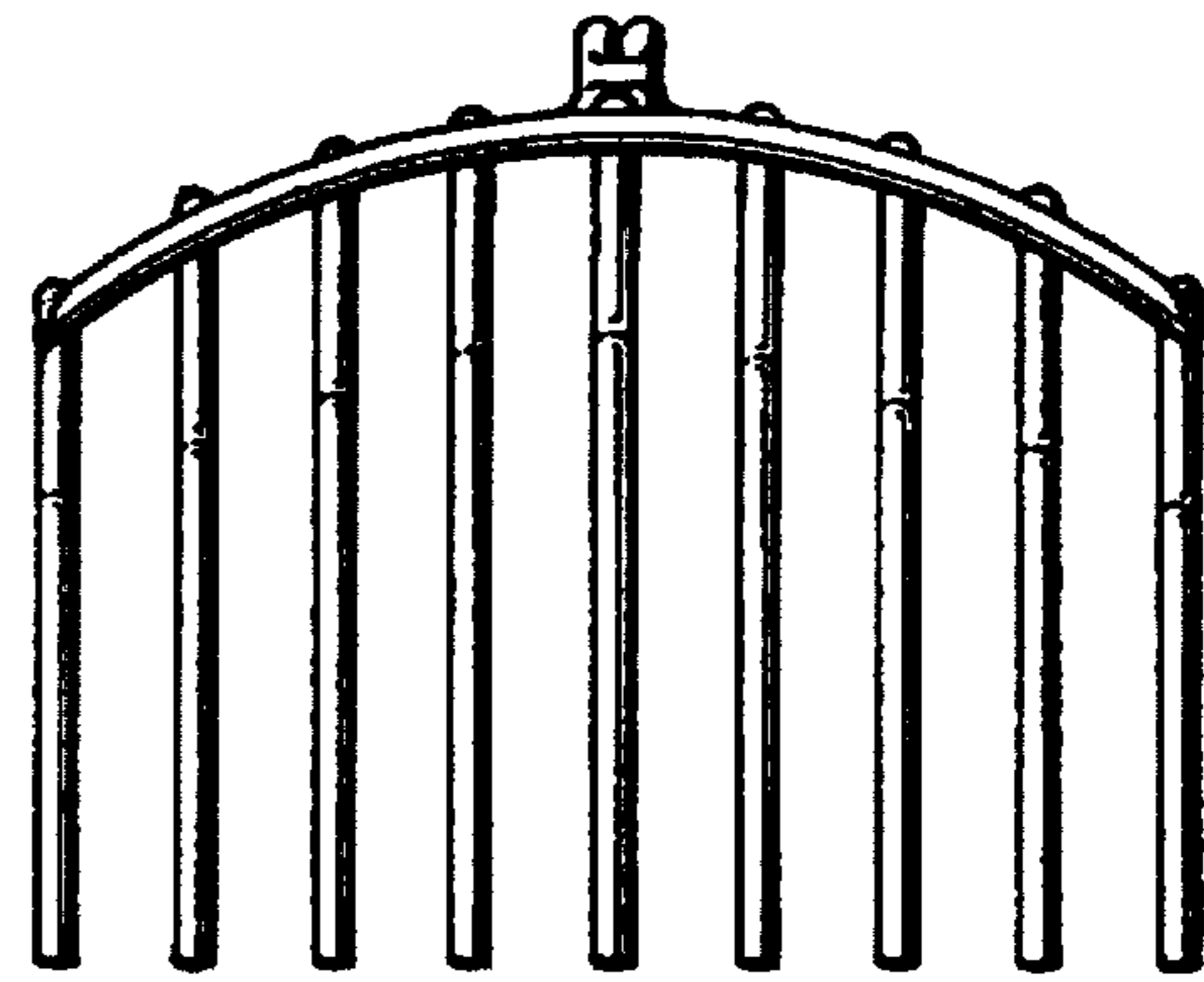


FIG 4

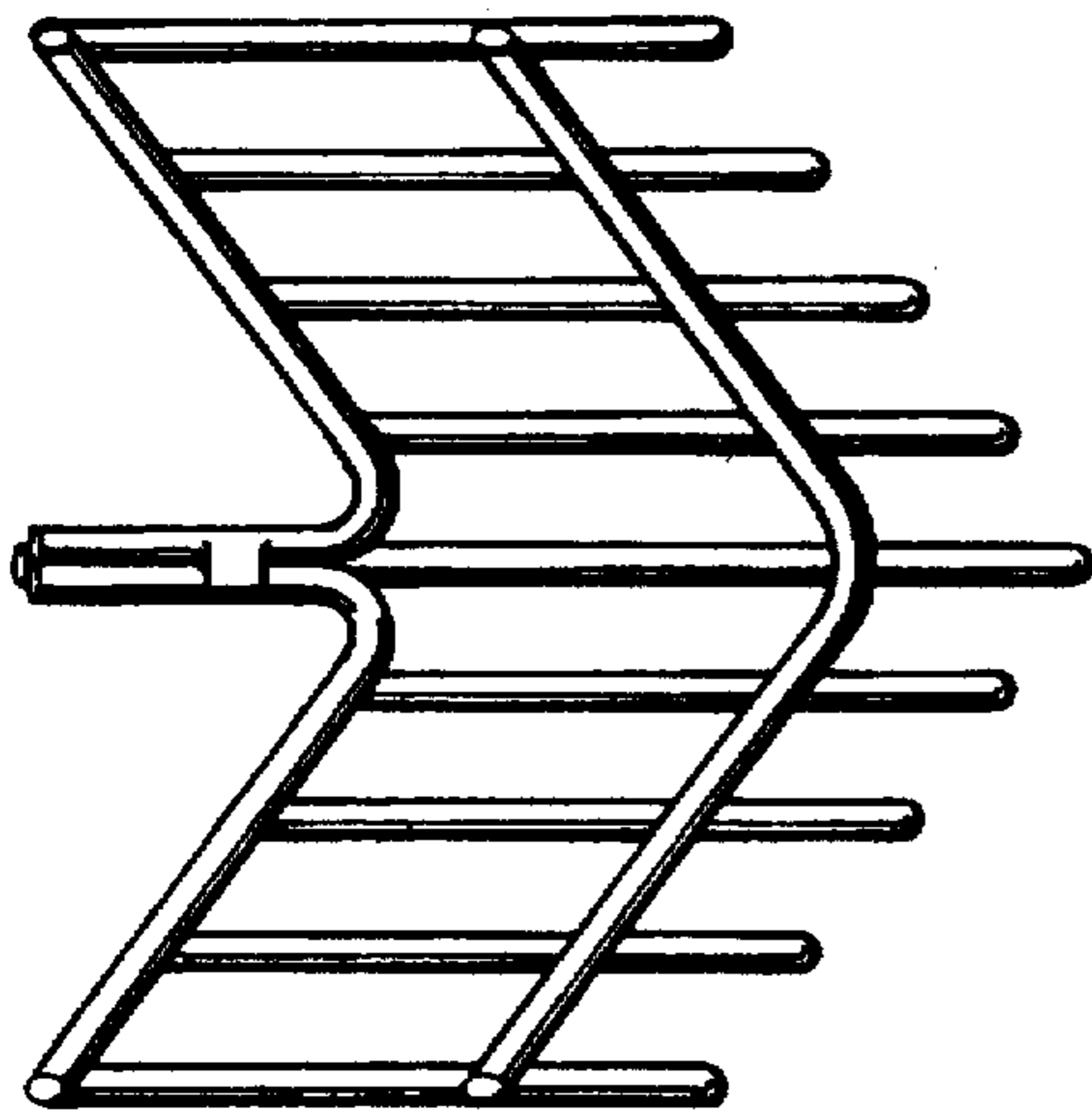


FIG 5

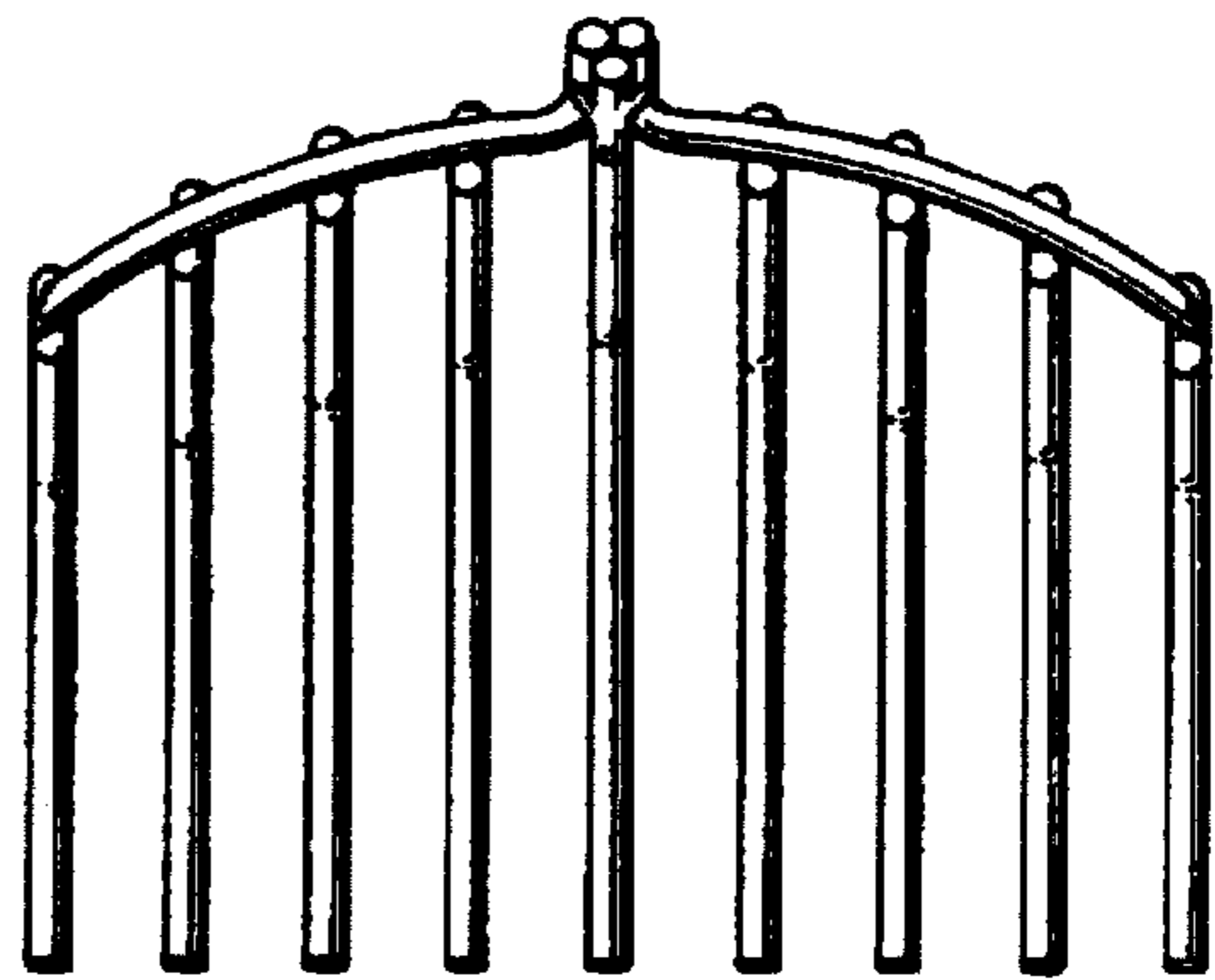


FIG 6

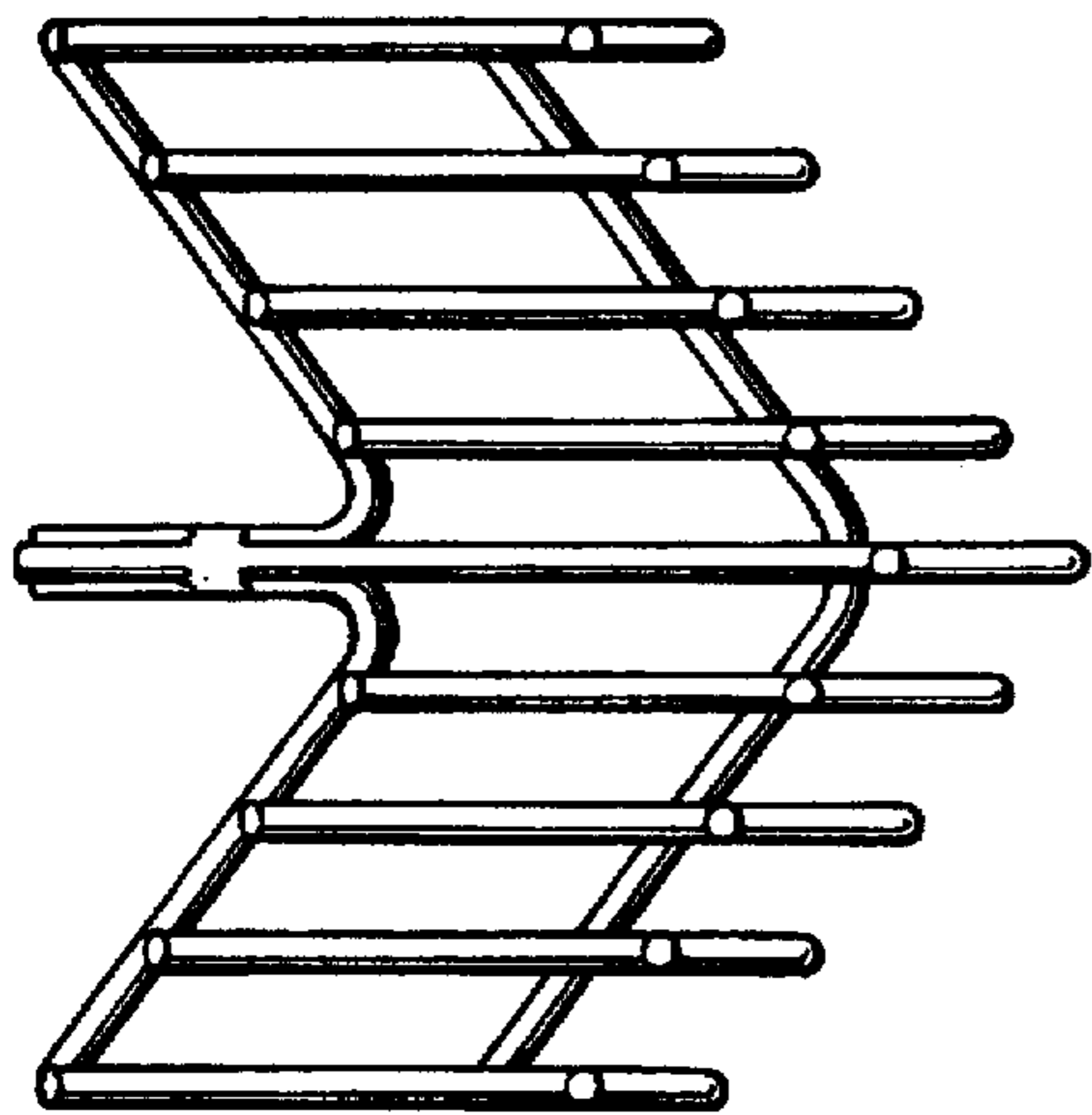


FIG 7