



US00D391132S

United States Patent [19]

Gandee et al.

[11] Patent Number: Des. 391,132

[45] Date of Patent: **Feb. 24, 1998

[54] RAKE

[75] Inventors: Jack L. Gandee, Mineral Wells, W. Va.; Ronald R. Fowler, Coolville, Ohio

[73] Assignee: O. Ames Co., Parkersburg, W. Va.

[**] Term: 14 Years

[21] Appl. No.: 62,841

[22] Filed: Nov. 27, 1996

[51] LOC (6) Cl. 08-13

[52] U.S. Cl. D8/13

[58] Field of Search D8/13

[56] References Cited

U.S. PATENT DOCUMENTS

D. 233,305	10/1974	Eads	D8/13
D. 248,612	7/1978	Oas	D8/13
D. 298,907	12/1988	Bonnes	D8/13
D. 350,052	8/1994	Sun	D8/13
5,060,343	10/1991	Nisenbaum	.	
5,165,144	11/1992	Nisenbaum	.	

OTHER PUBLICATIONS

Comfortably Yours Catalogue, p. 13, rake-item B located in center of page, Mar. 1985.

Primary Examiner—Holly Baynham

Attorney, Agent, or Firm—Cushman Darby & Cushman IP Group of Pillsbury Madison & Sutro LLP

[57] CLAIM

The ornamental design for a rake, as shown and described.

DESCRIPTION

FIG. 1 is a perspective view of one embodiment of a rake showing our new design;

FIG. 2 is a rear elevational view thereof;

FIG. 3 is a front elevational view thereof;

FIG. 4 is a right side elevational view thereof, the left side elevational view being a mirror image thereof;

FIG. 5 is a top plan view thereof;

FIG. 6 is a bottom plan view thereof;

FIG. 7 is a perspective view of another embodiment of a rake embodying our new design;

FIG. 8 is a rear elevational view thereof;

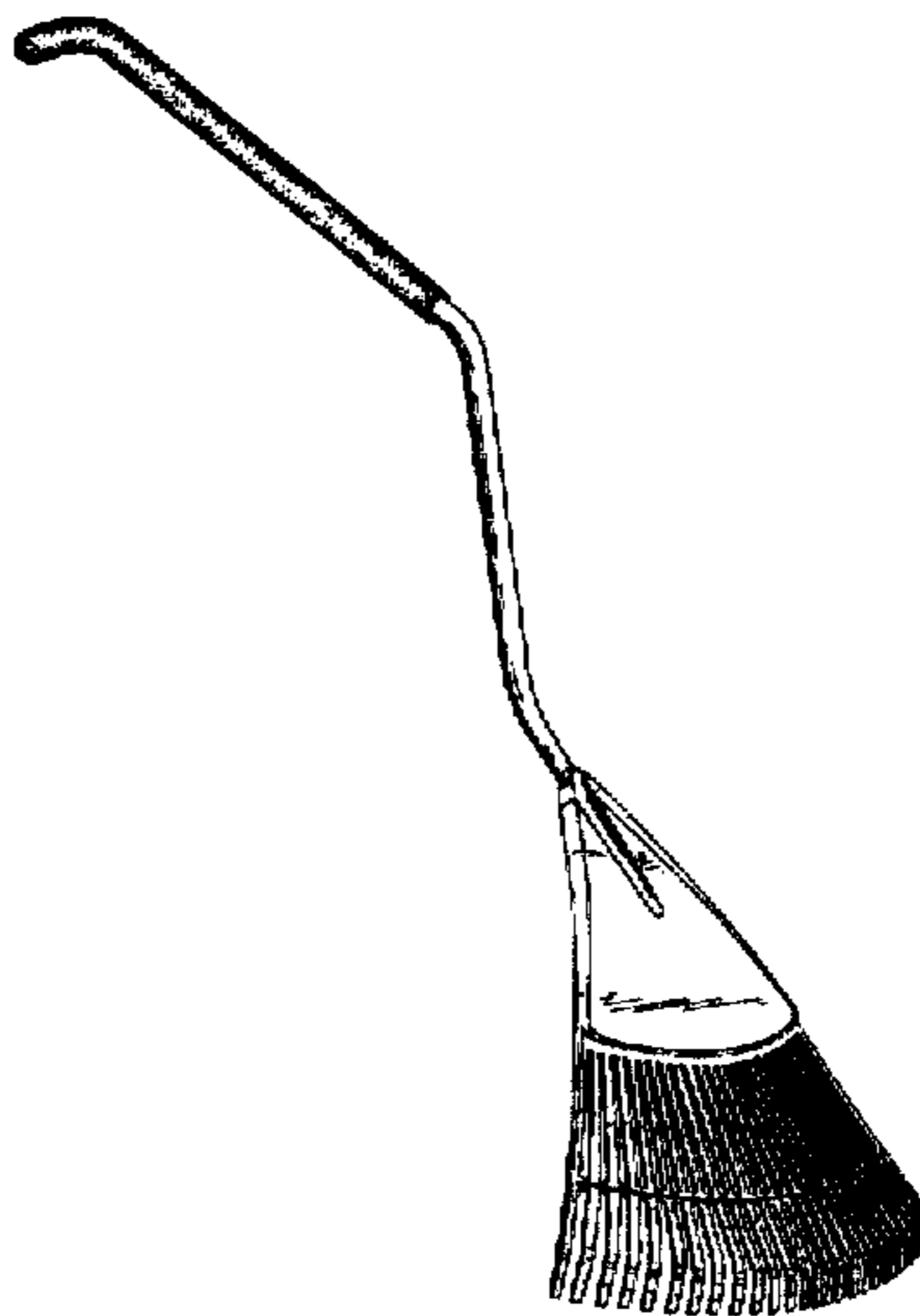
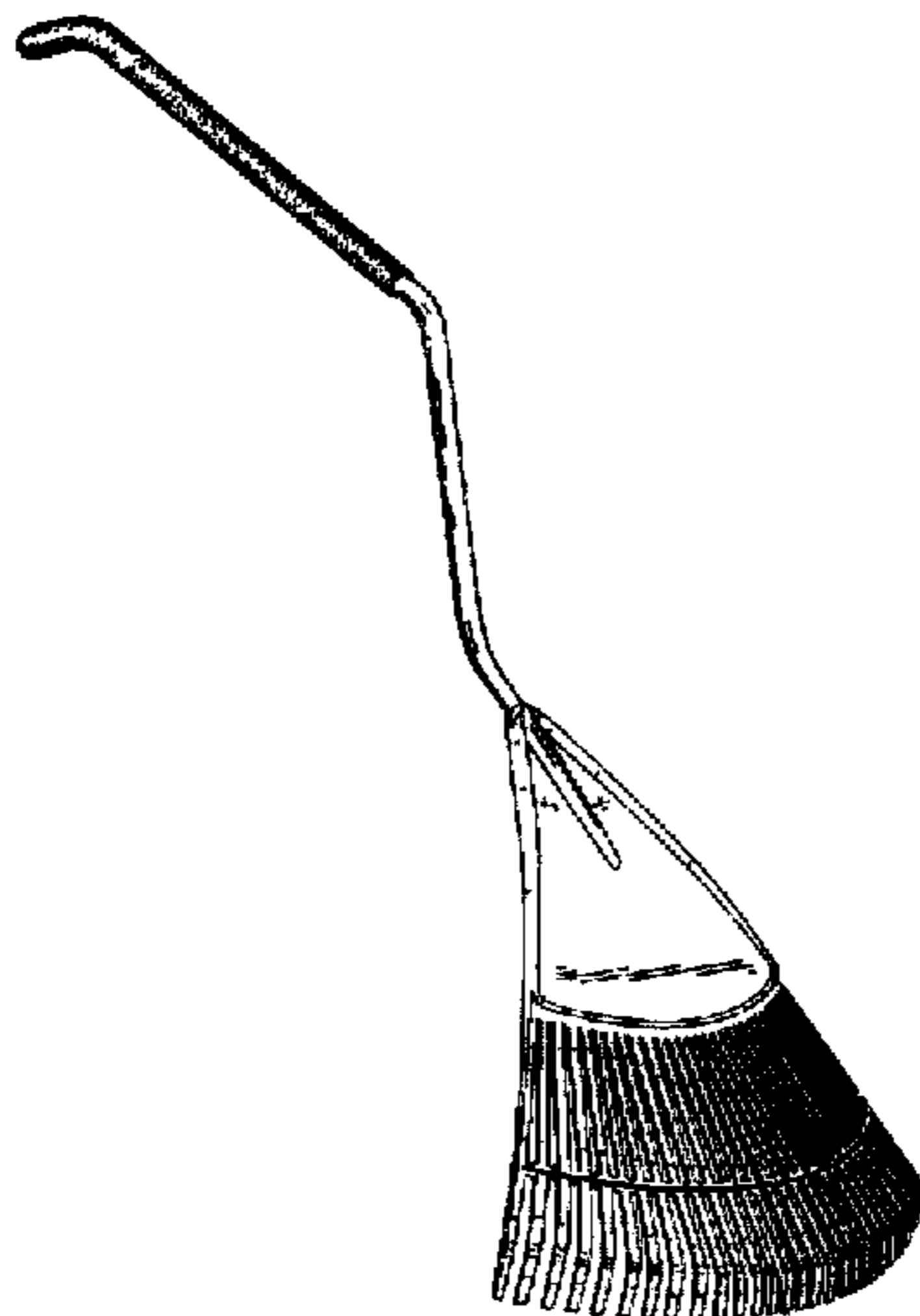
FIG. 9 is a front elevational view thereof;

FIG. 10 is a right side elevational view thereof, the left side elevational view being a mirror image thereof;

FIG. 11 is a top plan view thereof; and,

FIG. 12 is a bottom plan view thereof.

1 Claim, 10 Drawing Sheets



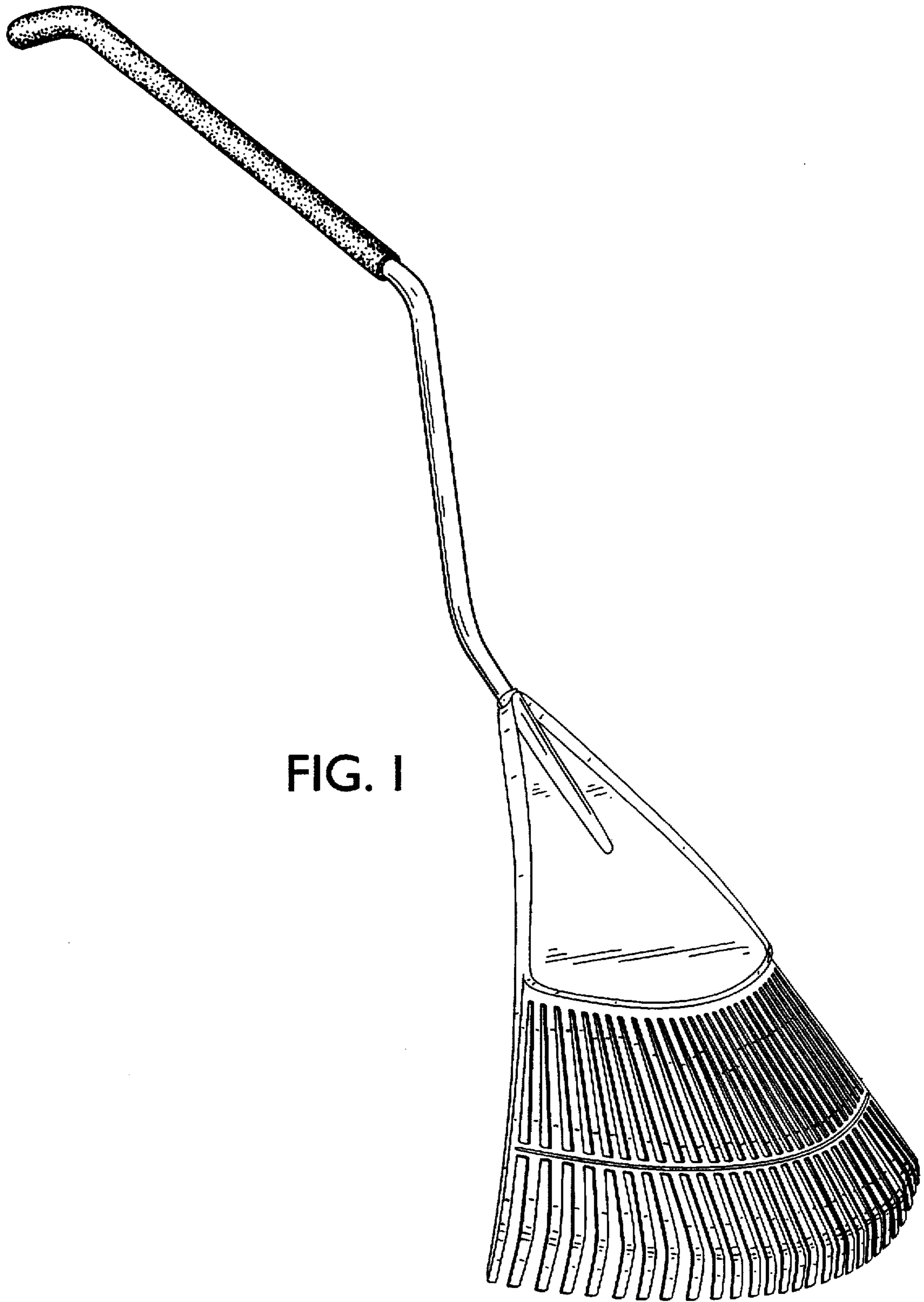


FIG. 1

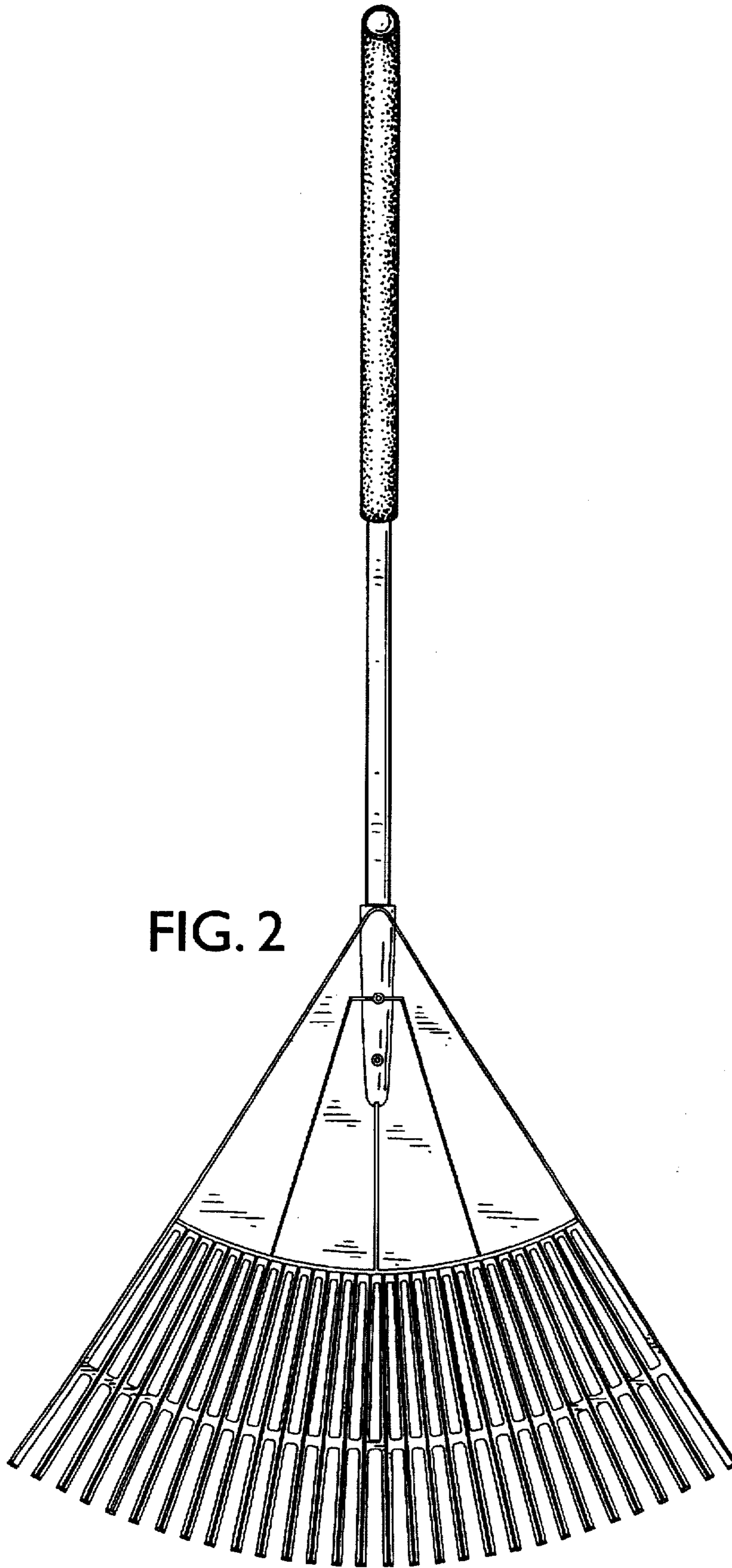
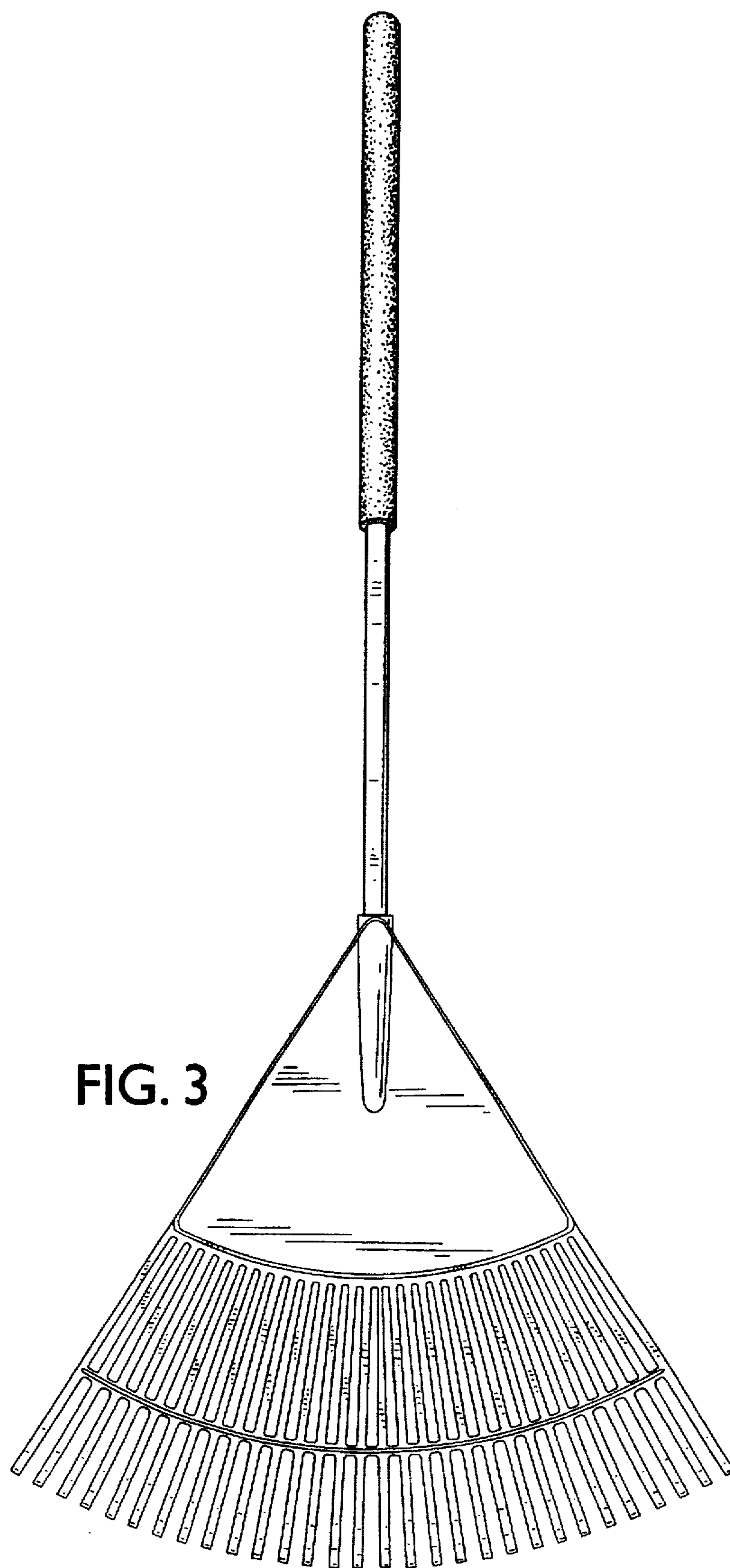


FIG. 2



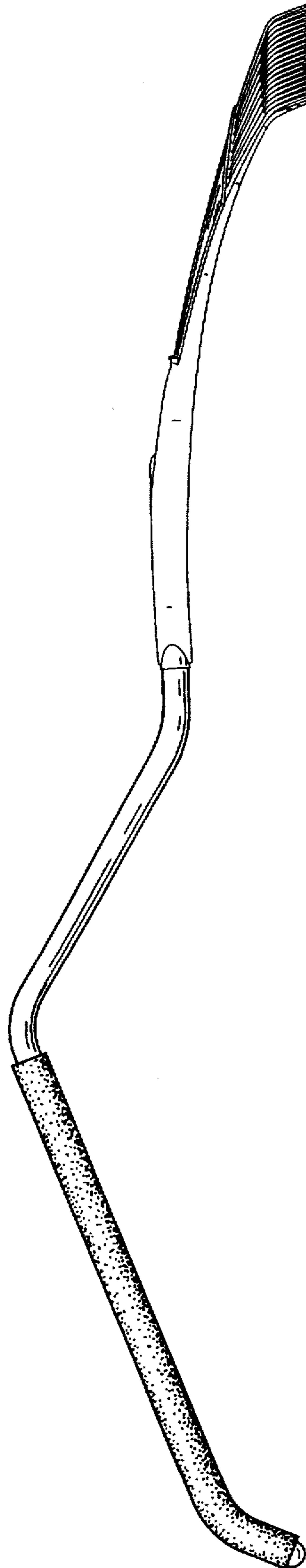


FIG. 4

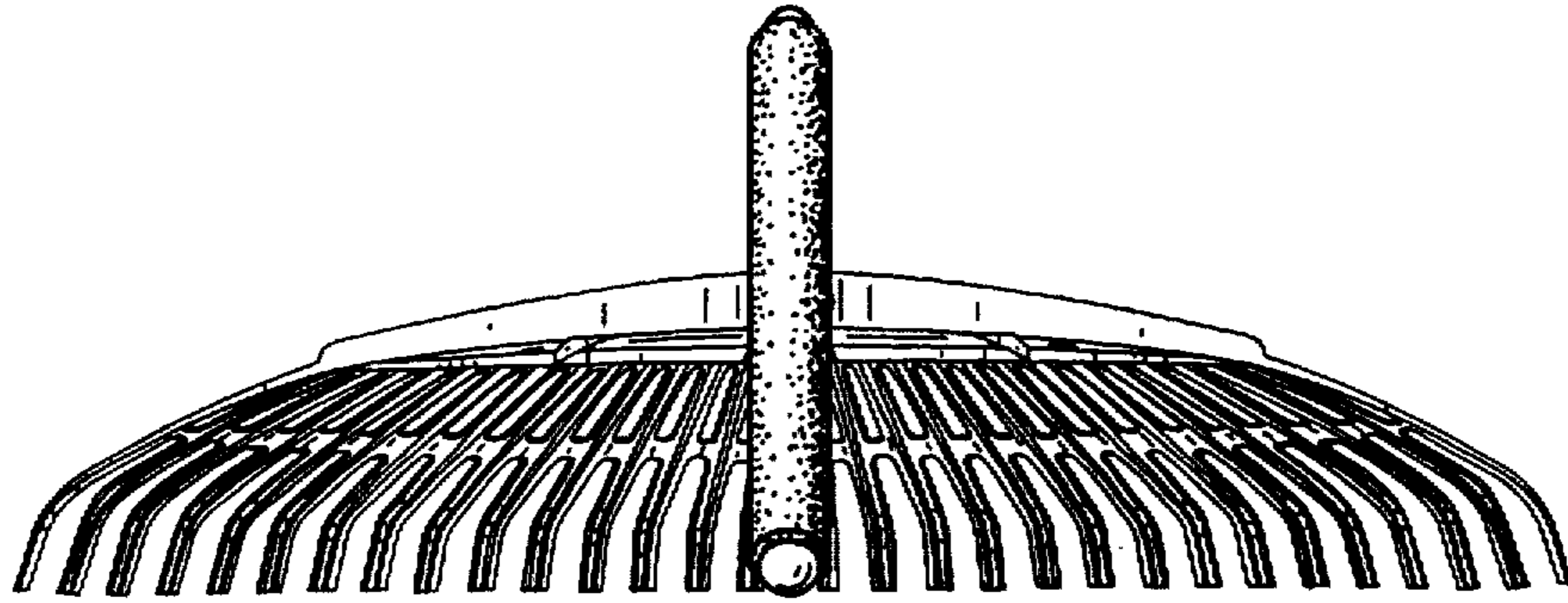


FIG. 5

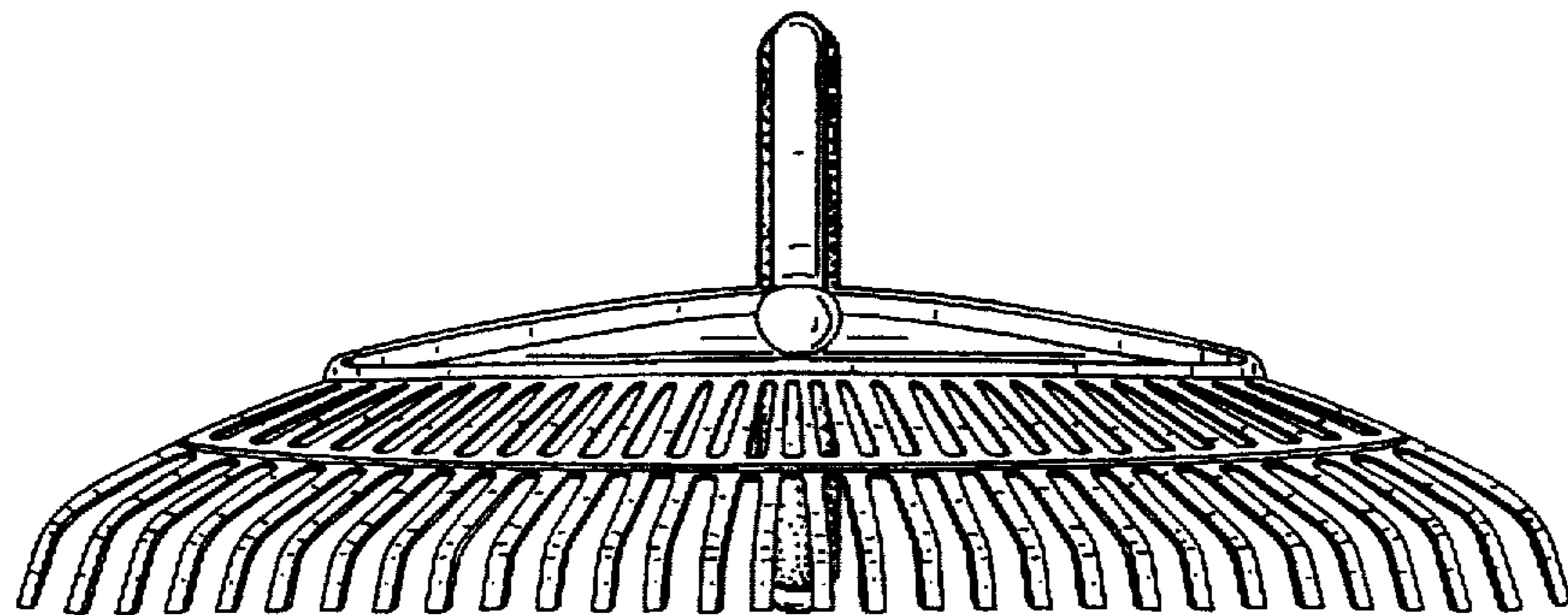


FIG. 6

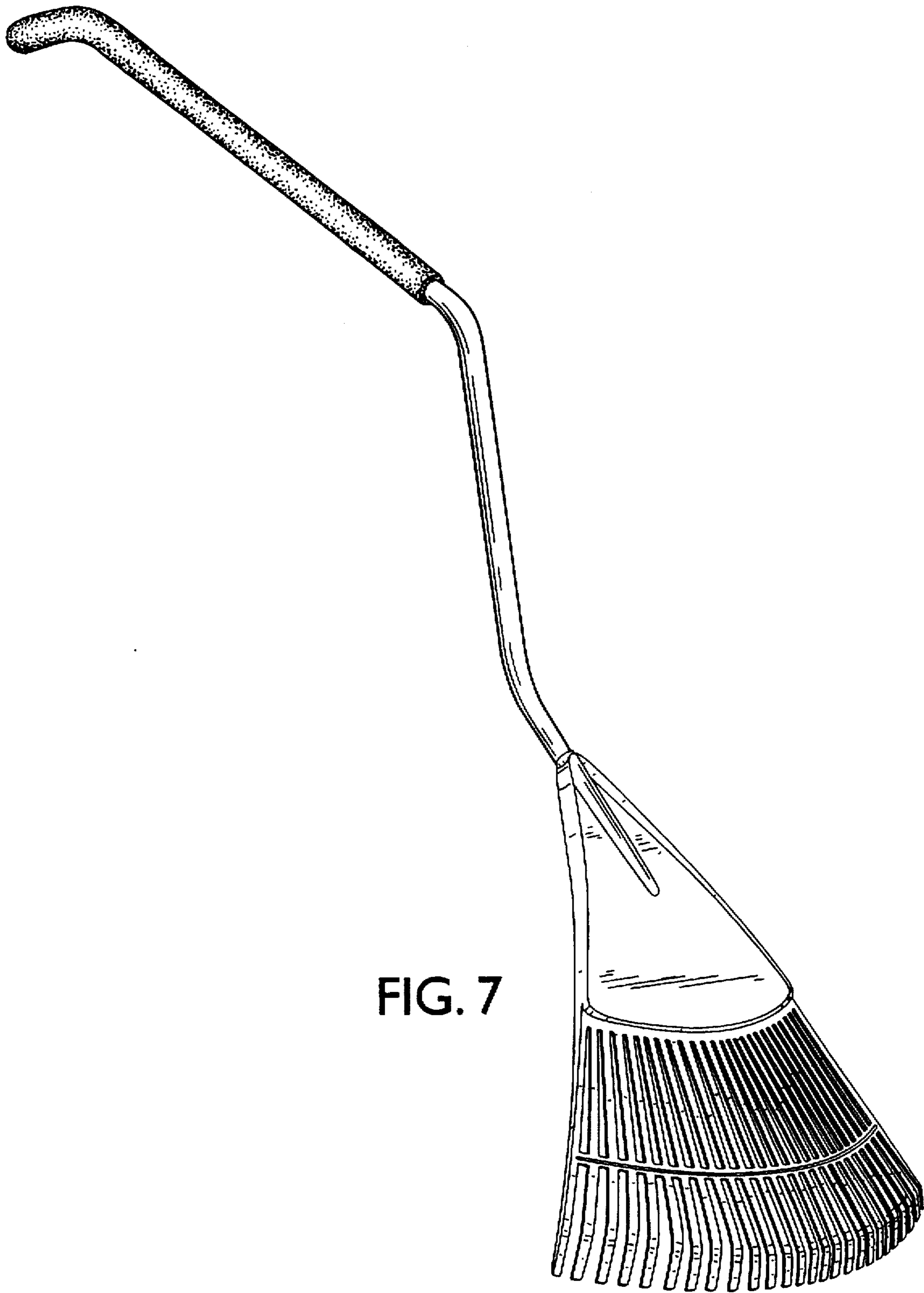


FIG. 7

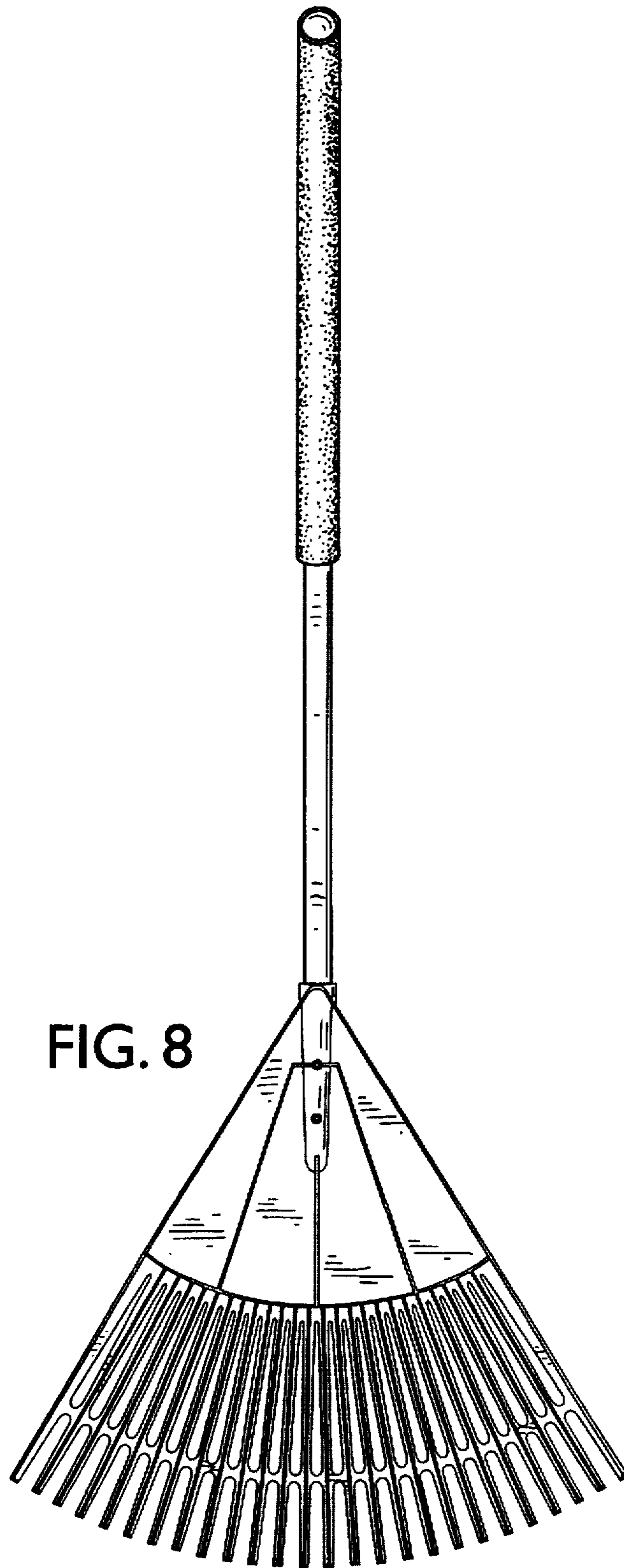


FIG. 8

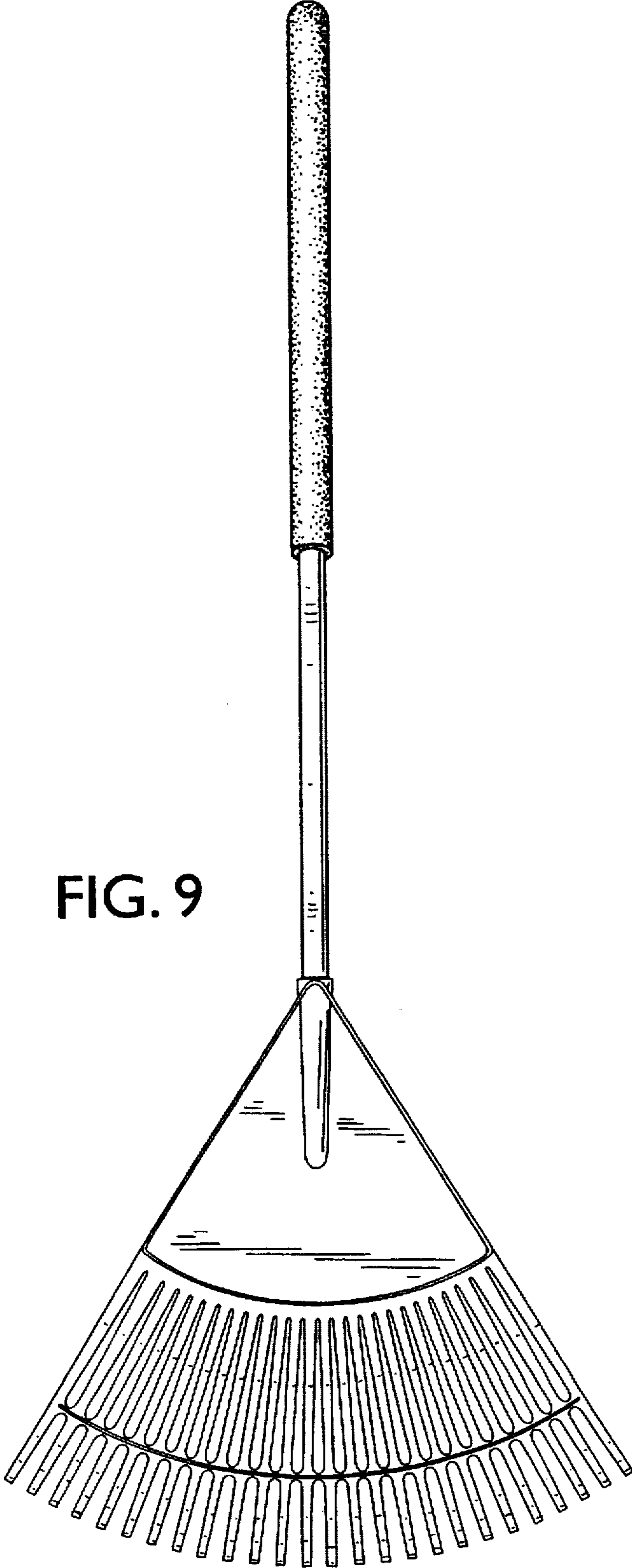


FIG. 9

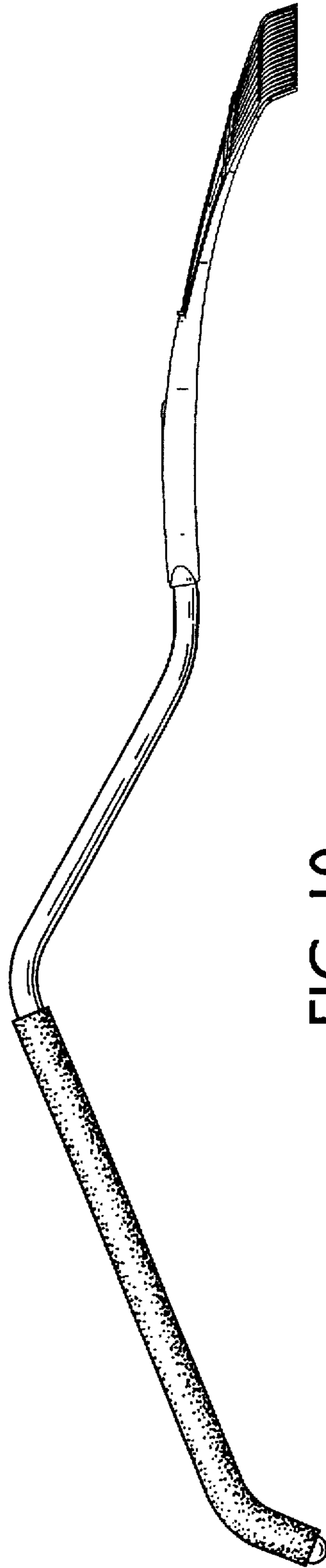


FIG. 10

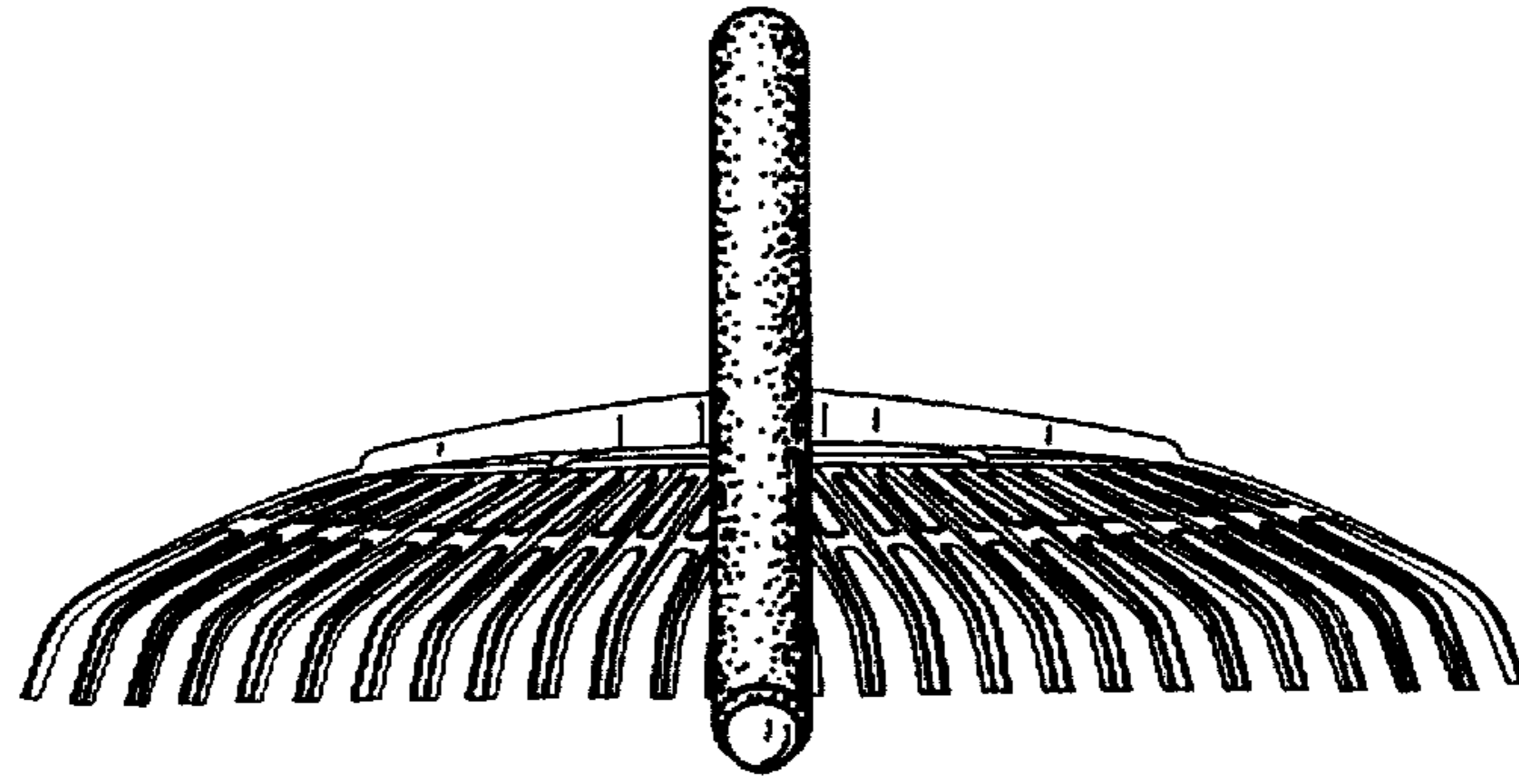


FIG. 11

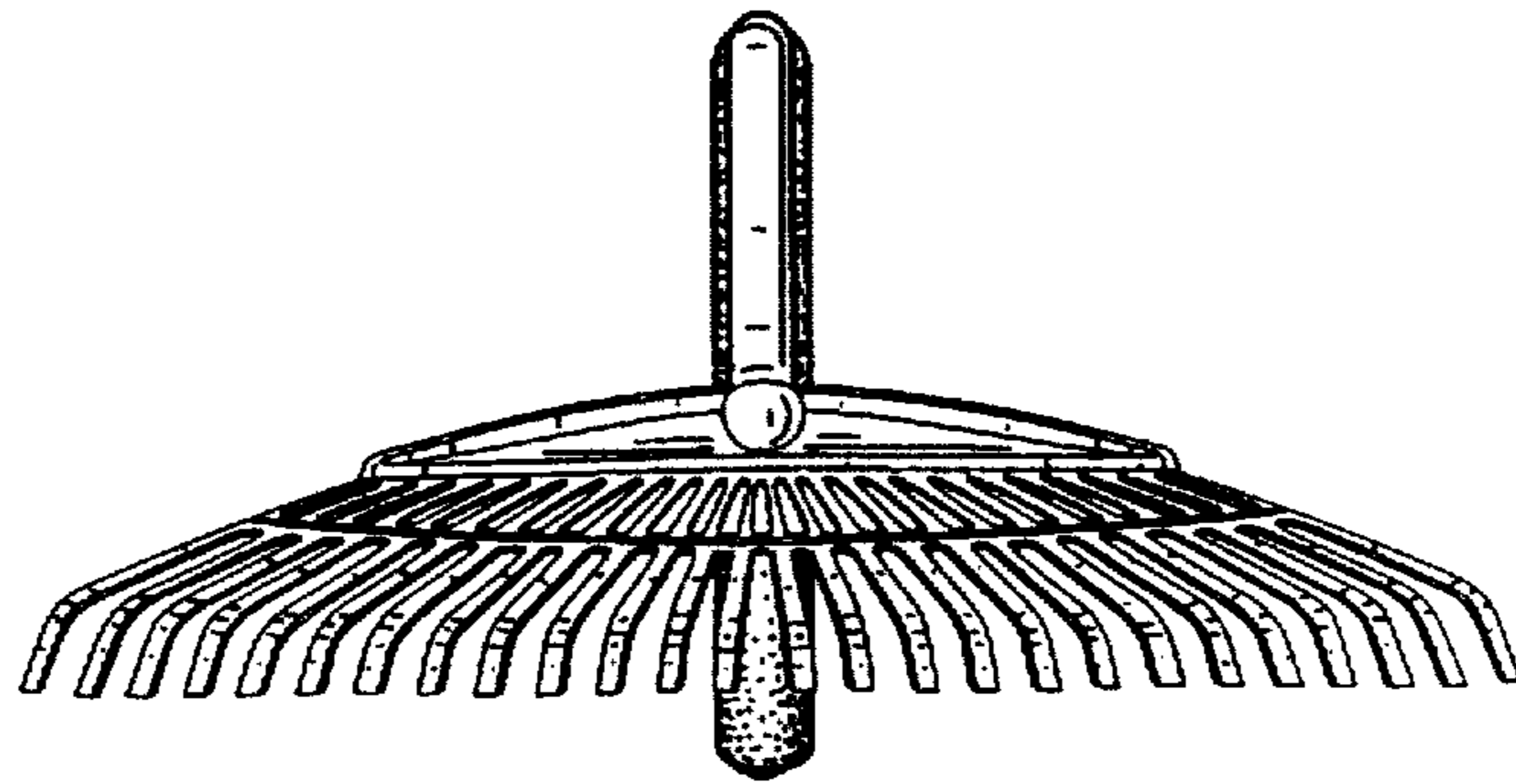


FIG. 12