



US00D391131S

# United States Patent [19]

Lehn et al.

[11] Patent Number: **Des. 391,131**

[45] Date of Patent: **\*\*Feb. 24, 1998**

[54] **BUCKET SCOOP**

[75] Inventors: **John S. Lehn**, Reading, Pa.; **Aaron Best**, Ingleside, Ill.; **Eric Schmura**, Sinking Spring, Pa.

[73] Assignee: **Wind-Lock Corporation**, Leesport, Pa.

[\*\*] Term: **14 Years**

[21] Appl. No.: **68,147**

[22] Filed: **Mar. 17, 1997**

[51] LOC (6) Cl. .... **08-01**

[52] U.S. Cl. .... **D8/10; D7/691; D32/49**

[58] Field of Search ..... **D7/691; D8/10, D8/11; D32/46, 49, 74; 15/143.1, 236.01, 236.06, 236.07; 30/169, 171; 294/49, 55, 57; 209/418, 419**

[56] **References Cited**

**U.S. PATENT DOCUMENTS**

- D. 278,402 4/1985 Reichard ..... D7/691
- 789,258 5/1905 Connolly ..... 294/49
- 937,754 10/1909 Bartels ..... 294/55 X

- 2,807,168 9/1957 Wipf ..... 15/236.06 X
- 4,627,128 12/1986 Shea ..... 15/236.07
- 5,624,145 4/1997 Swilley ..... 294/55

*Primary Examiner*—Alan P. Douglas  
*Assistant Examiner*—Lavone D. Tabor  
*Attorney, Agent, or Firm*—Howson and Howson

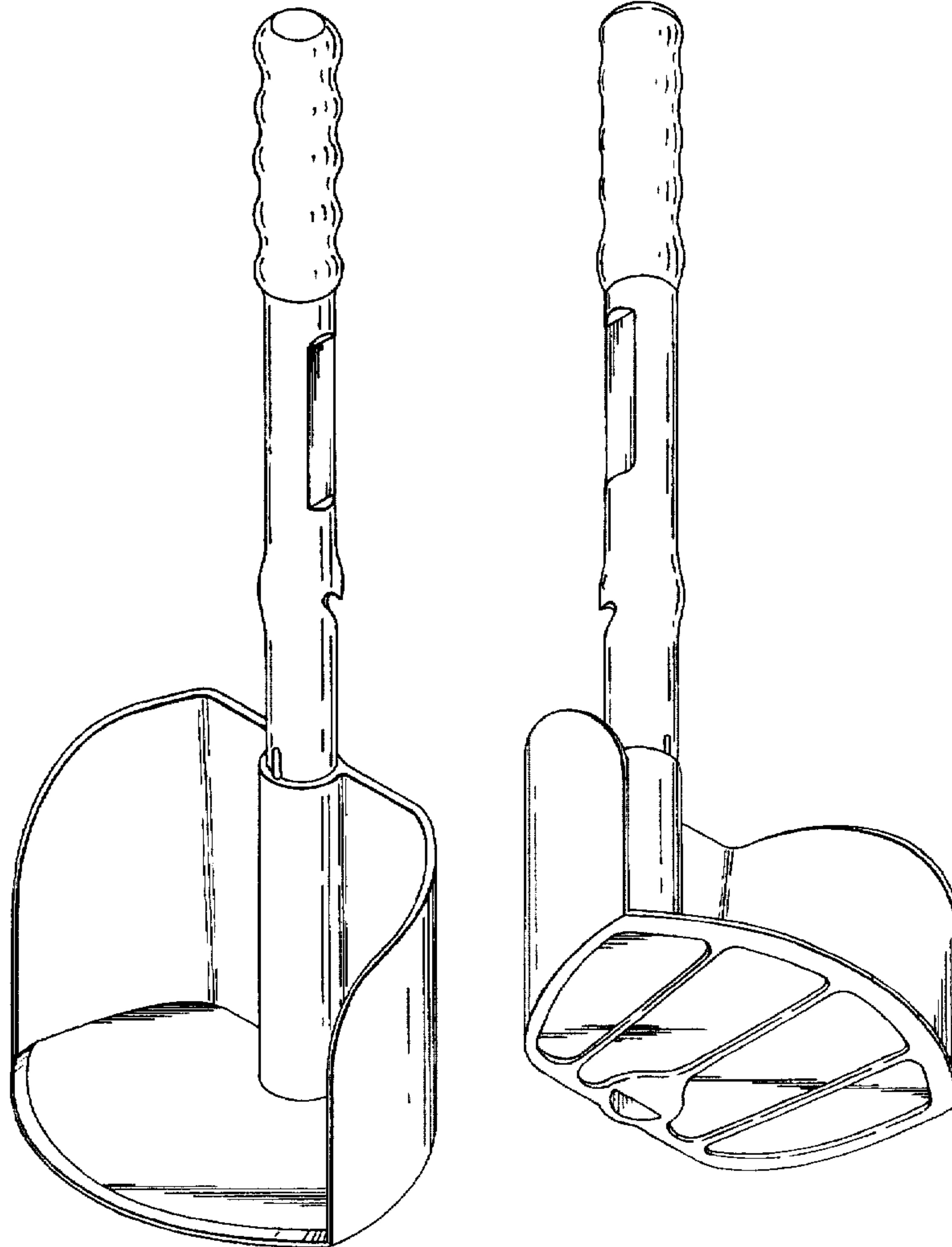
[57] **CLAIM**

The ornamental design for a bucket scoop, as shown and described.

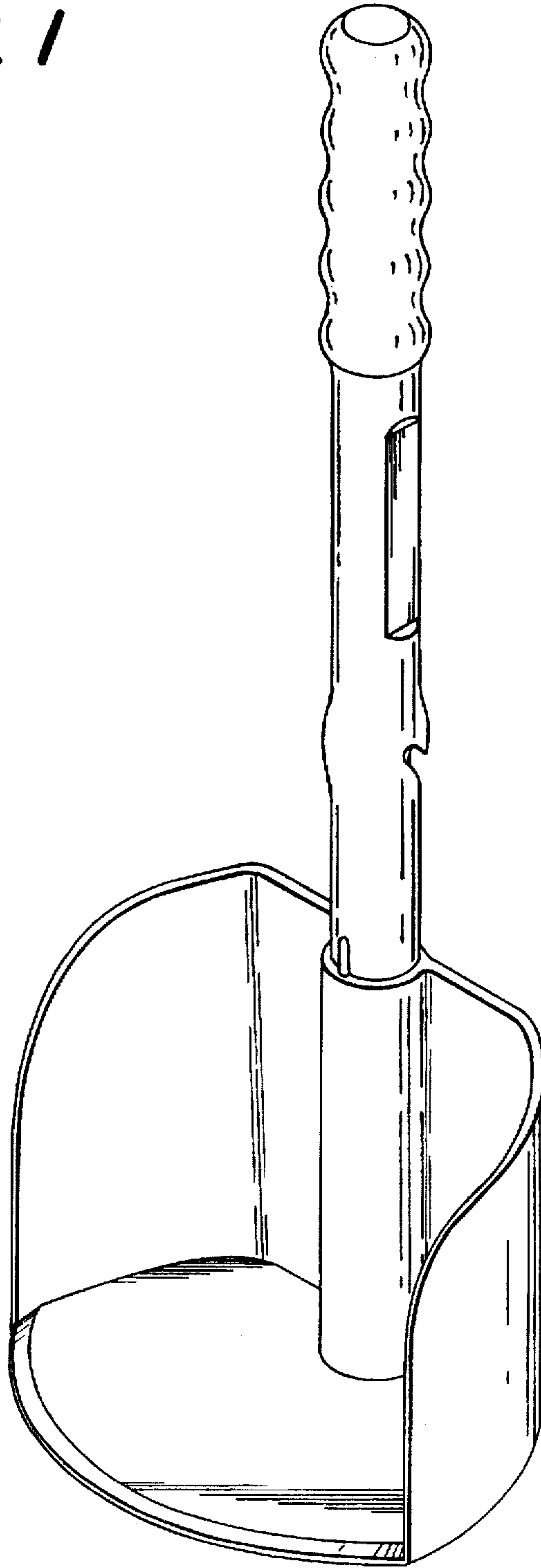
**DESCRIPTION**

FIG. 1 is a perspective view showing the top, right and front side of a bucket scoop embodying our new design;  
FIG. 2 is a perspective view showing the bottom left and front side thereof;  
FIG. 3 is a front elevational view thereof;  
FIG. 4 is a right side elevational view thereof, the left side being a mirror image of the right side;  
FIG. 5 is a rear elevational view thereof;  
FIG. 6 is a top plan view thereof; and,  
FIG. 7 is a bottom plan view thereof.

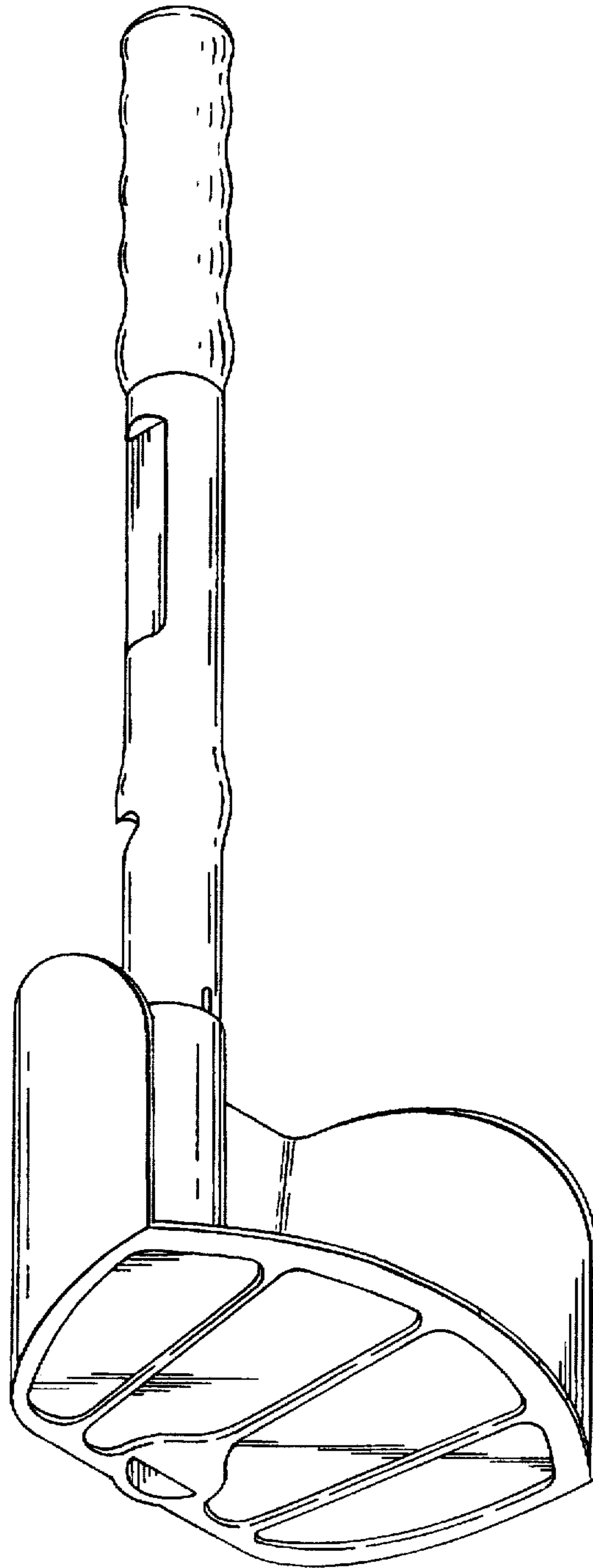
**1 Claim, 4 Drawing Sheets**



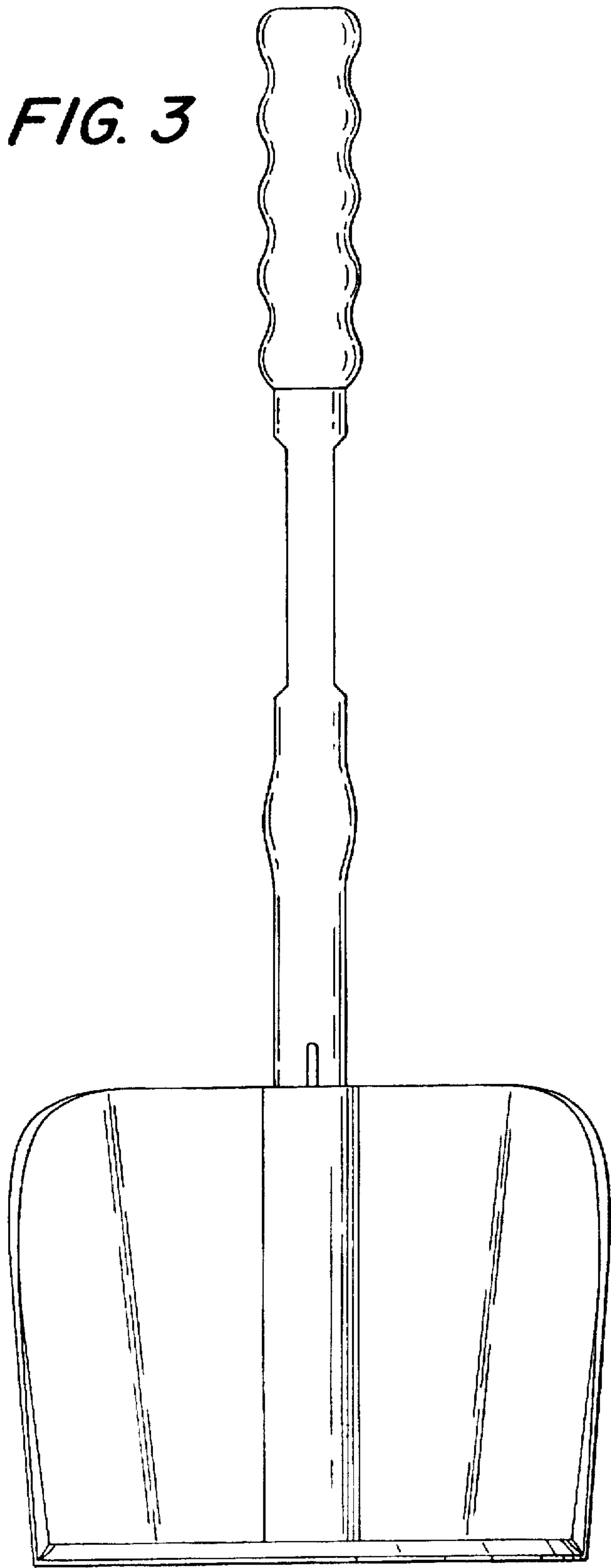
*FIG. 1*



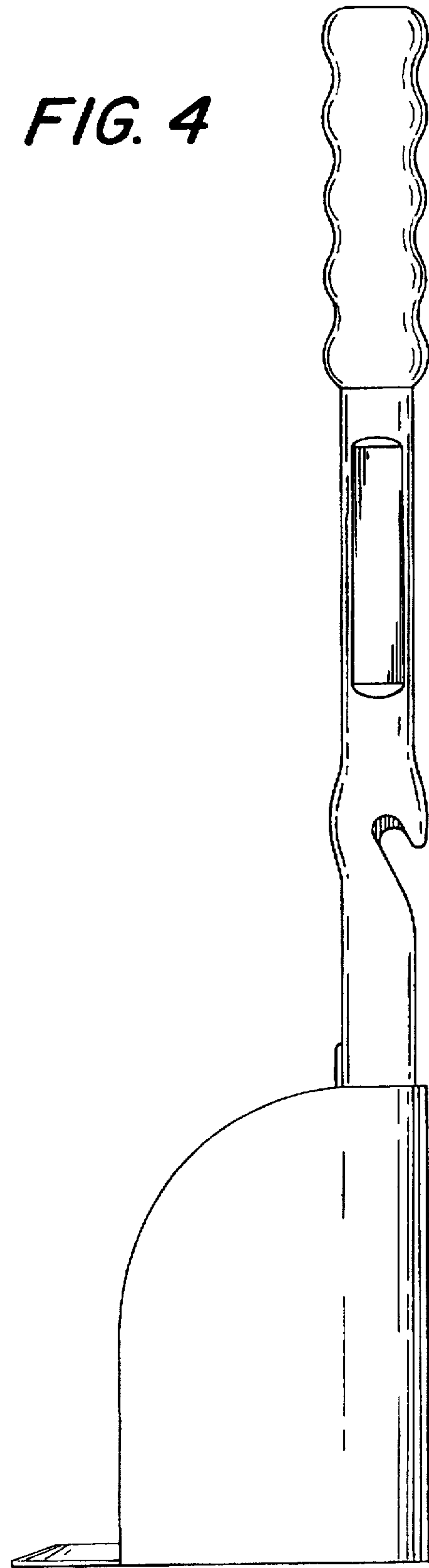
*FIG. 2*



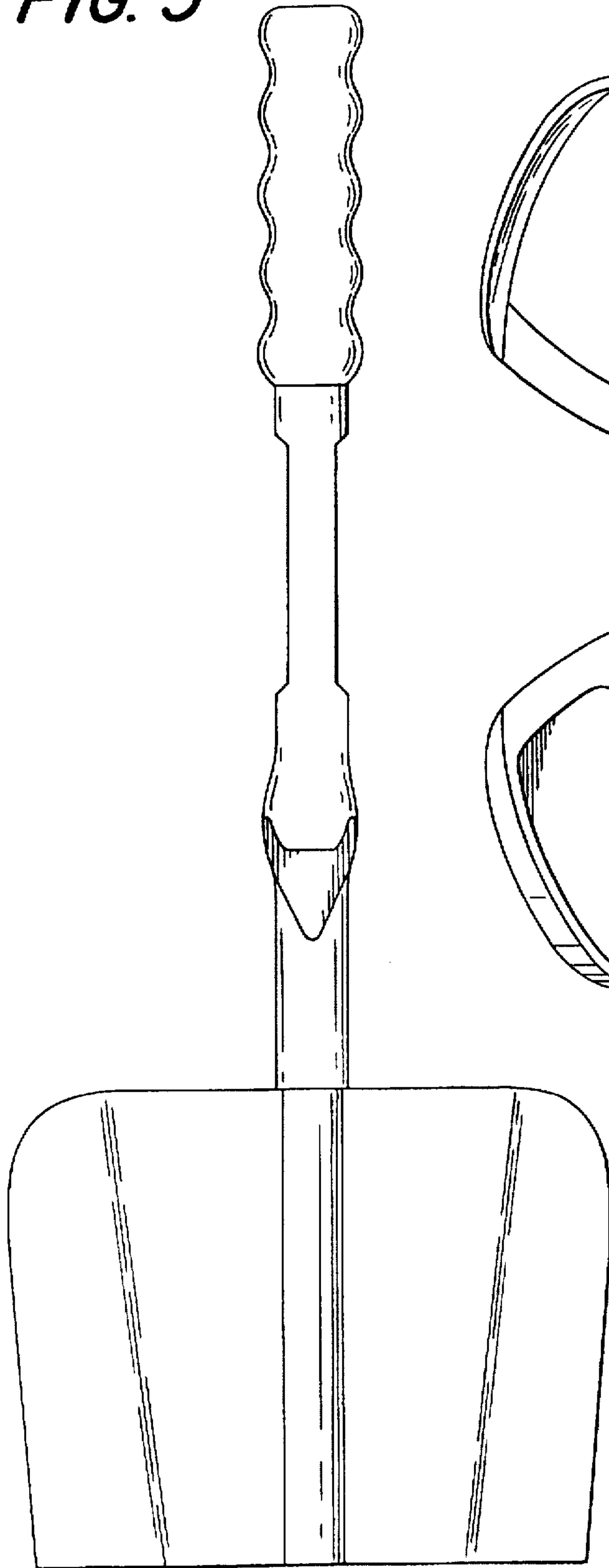
*FIG. 3*



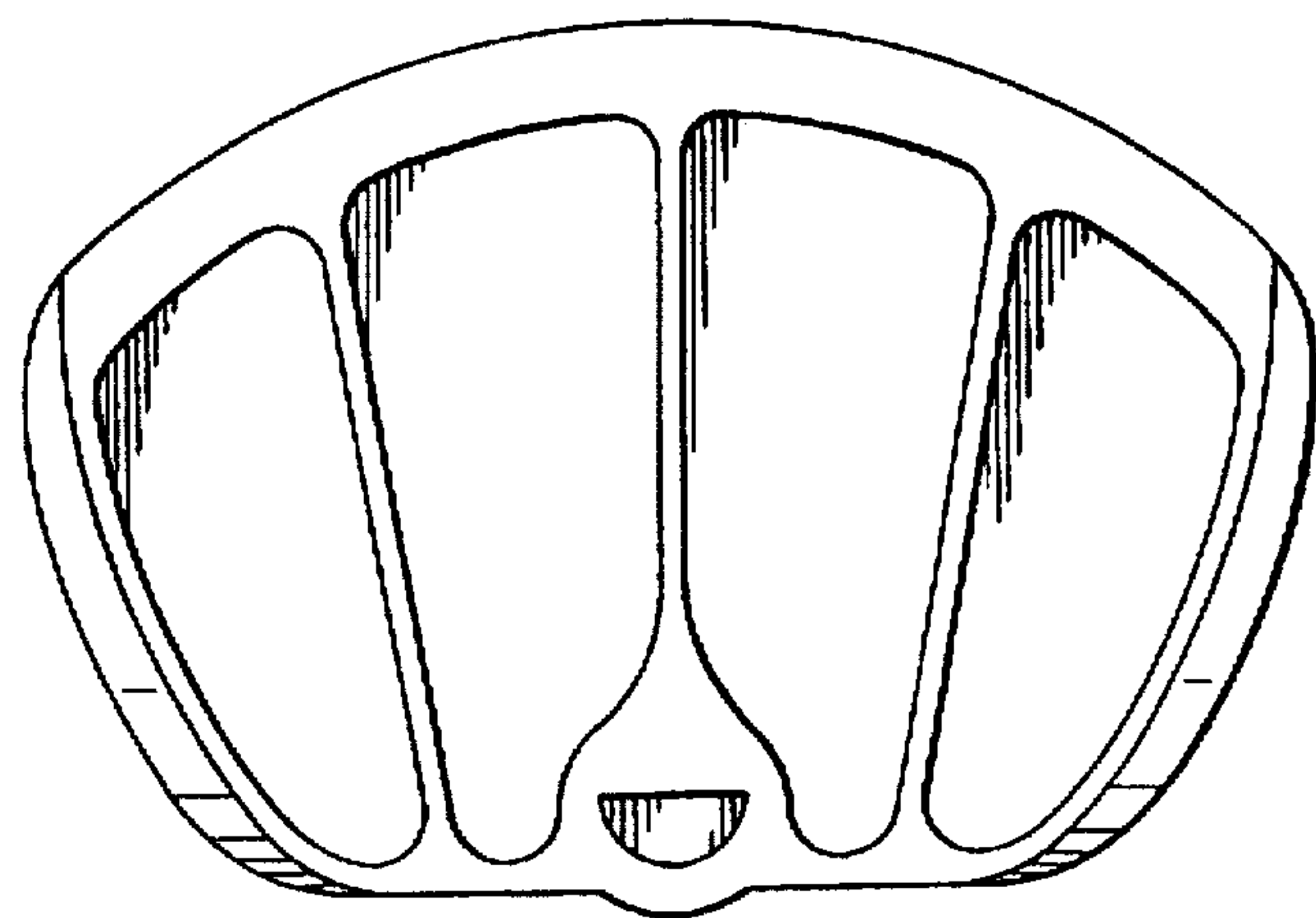
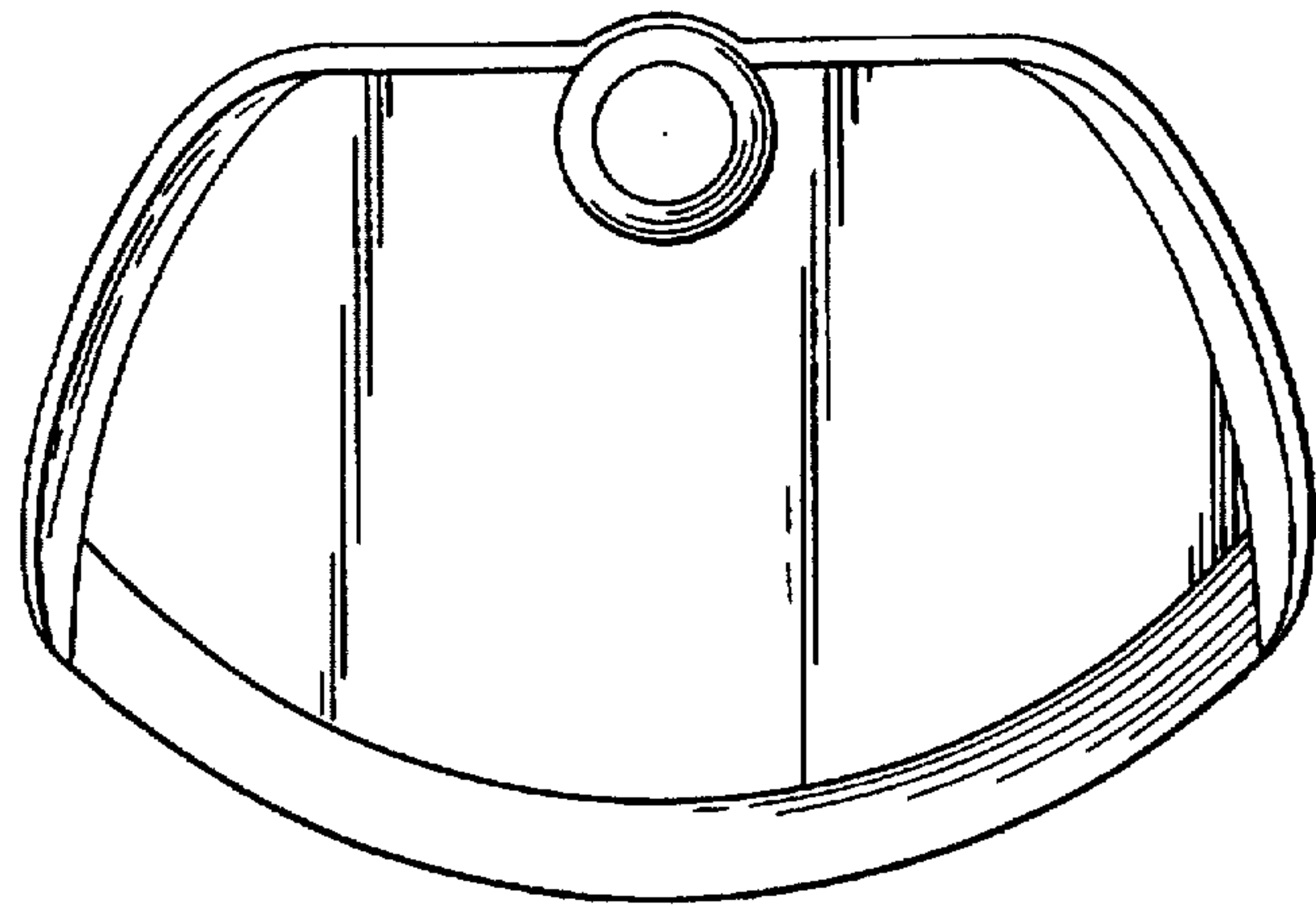
*FIG. 4*



**FIG. 5**



**FIG. 6**



**FIG. 7**