



US00D391126S

United States Patent [19]

Iwanaga

[11] Patent Number: **Des. 391,126**

[45] Date of Patent: ****Feb. 24, 1998**

[54] **TREE SUPPORTER**

3,729,906 5/1973 Coblenz 47/42 X
5,402,600 4/1995 Tompkins 47/42

[76] Inventor: **Isao Iwanaga**, P.O. Box 231116,
Sacramento, Calif. 95823

Primary Examiner—Doris V. Coles
Assistant Examiner—Catherine R. Oliver

[**] Term: **14 Years**

[57] **CLAIM**

[21] Appl. No.: **59,255**

The ornamental design for a tree supporter, as shown.

[22] Filed: **Sep. 6, 1996**

DESCRIPTION

[51] **LOC (6) Cl.** **08-01**

FIG. 1 is a right side view of the tree supporter showing my new design;

[52] **U.S. Cl.** **D8/1**

FIG. 2 is a left side view thereof;

[58] **Field of Search** D8/1; 47/21, 23,
47/25, 30, 31, 33, 73, 59, 76, 42, 43, 44

FIG. 3 is a rear elevational view thereof;

FIG. 4 is a front elevational view thereof;

FIG. 5 is a top plan view thereof; and,

FIG. 6 is a bottom plan view.

[56] References Cited

U.S. PATENT DOCUMENTS

2,501,255 3/1950 Bell 47/42 X
3,526,056 9/1970 Stropkay 47/42

1 Claim, 3 Drawing Sheets

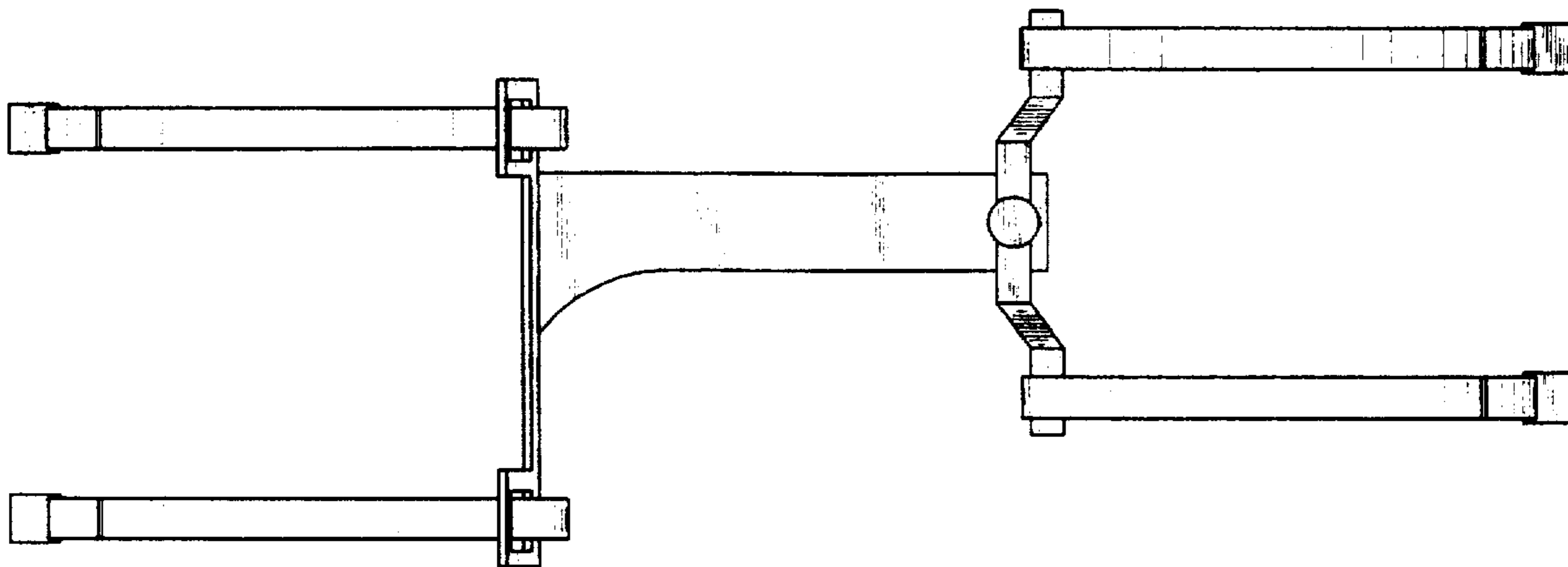


FIG. 1

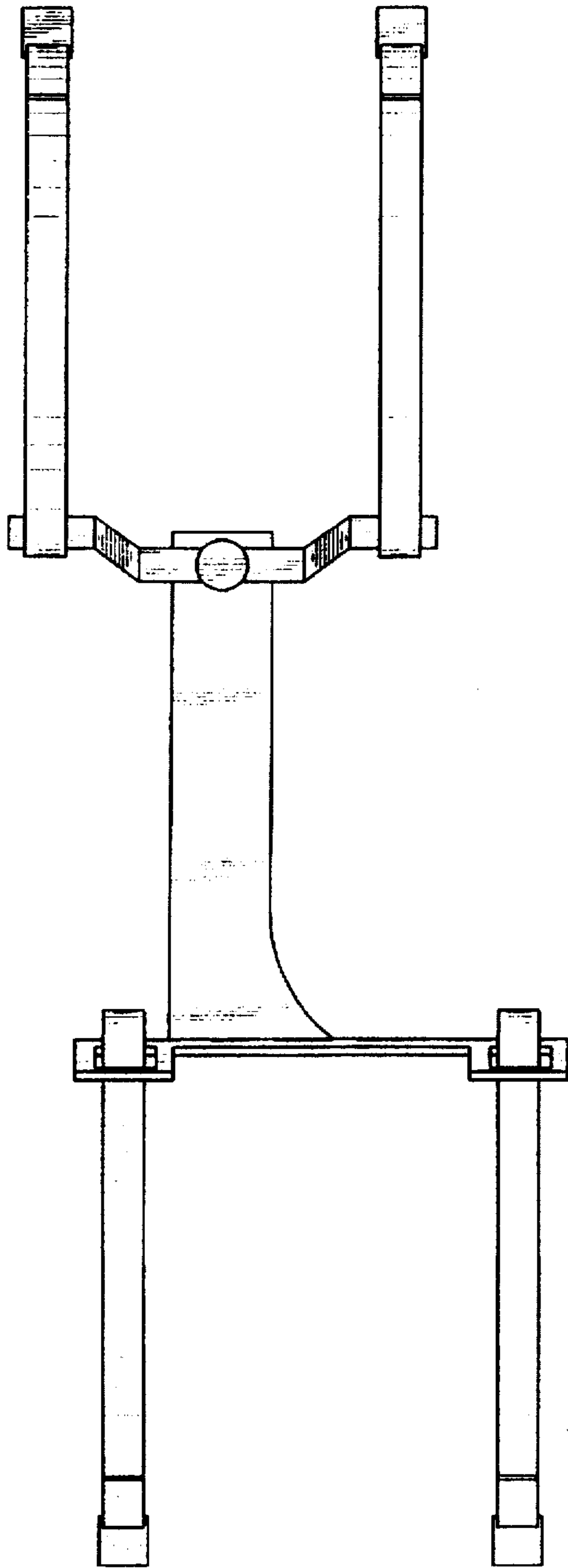


FIG. 2

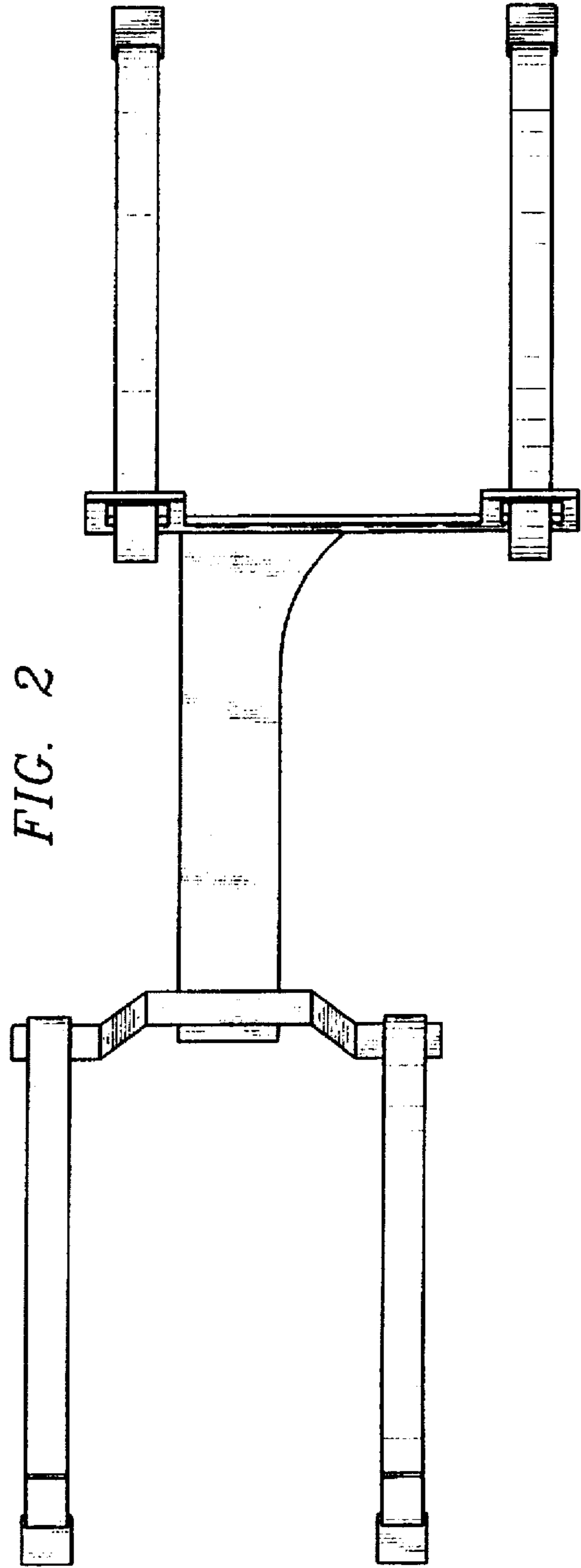


FIG. 3

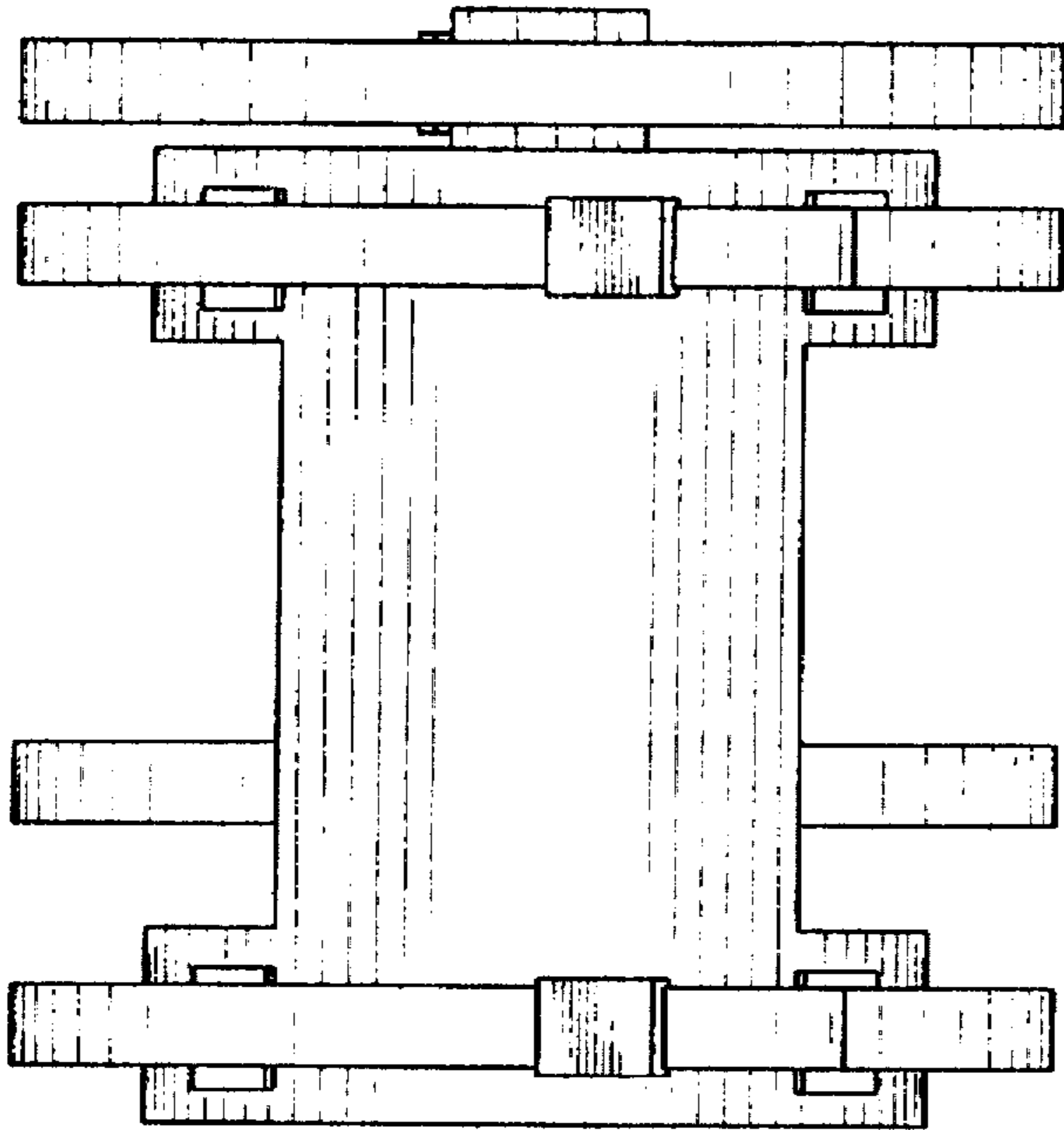
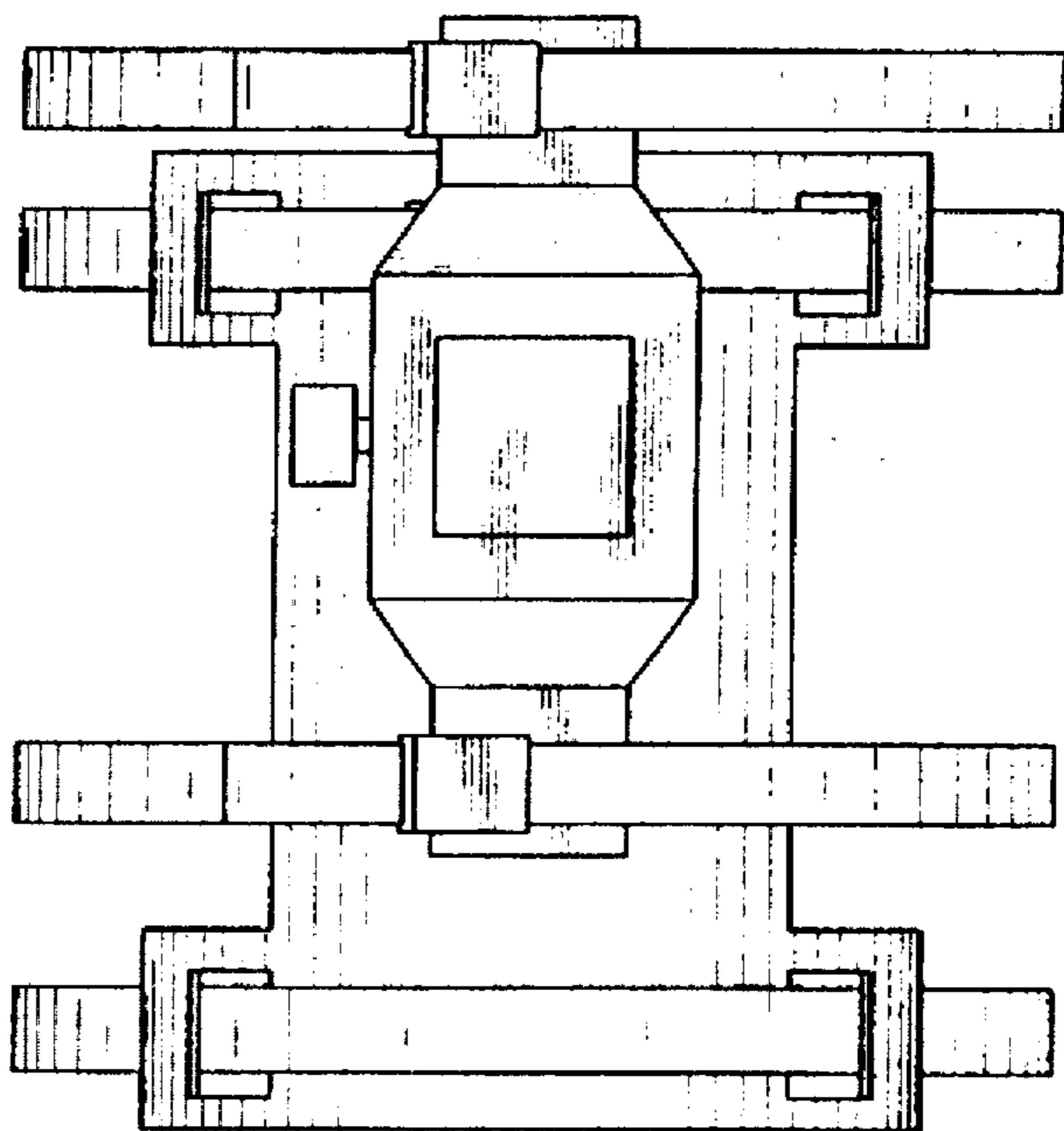


FIG. 4



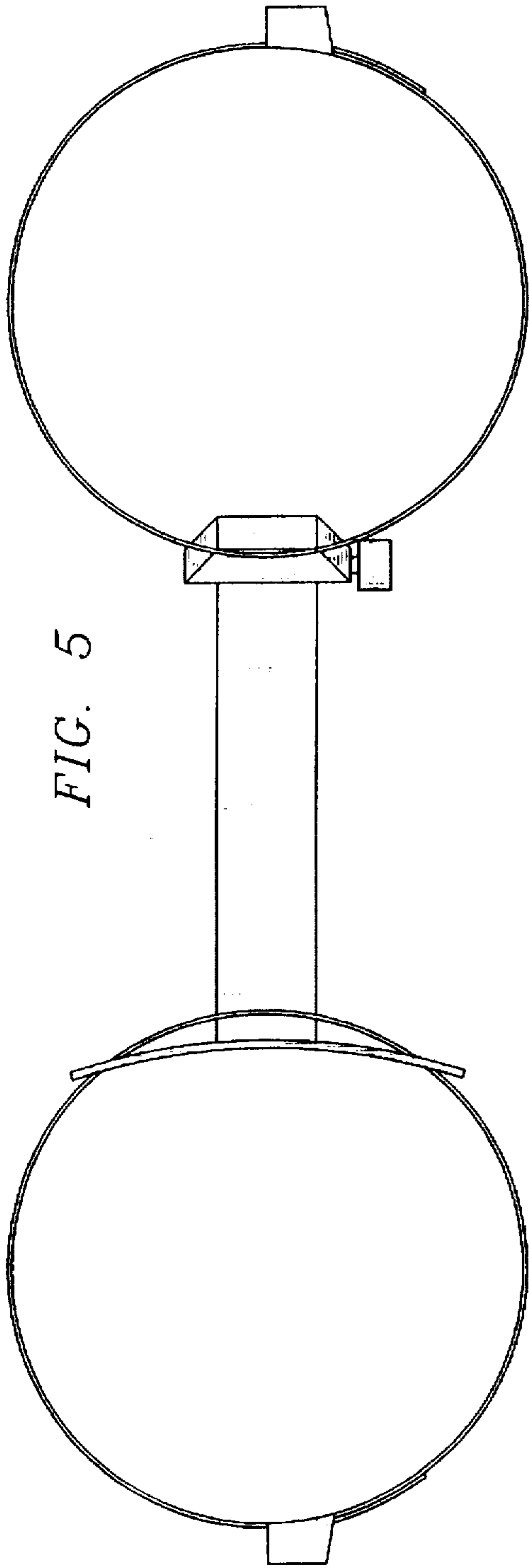


FIG. 5

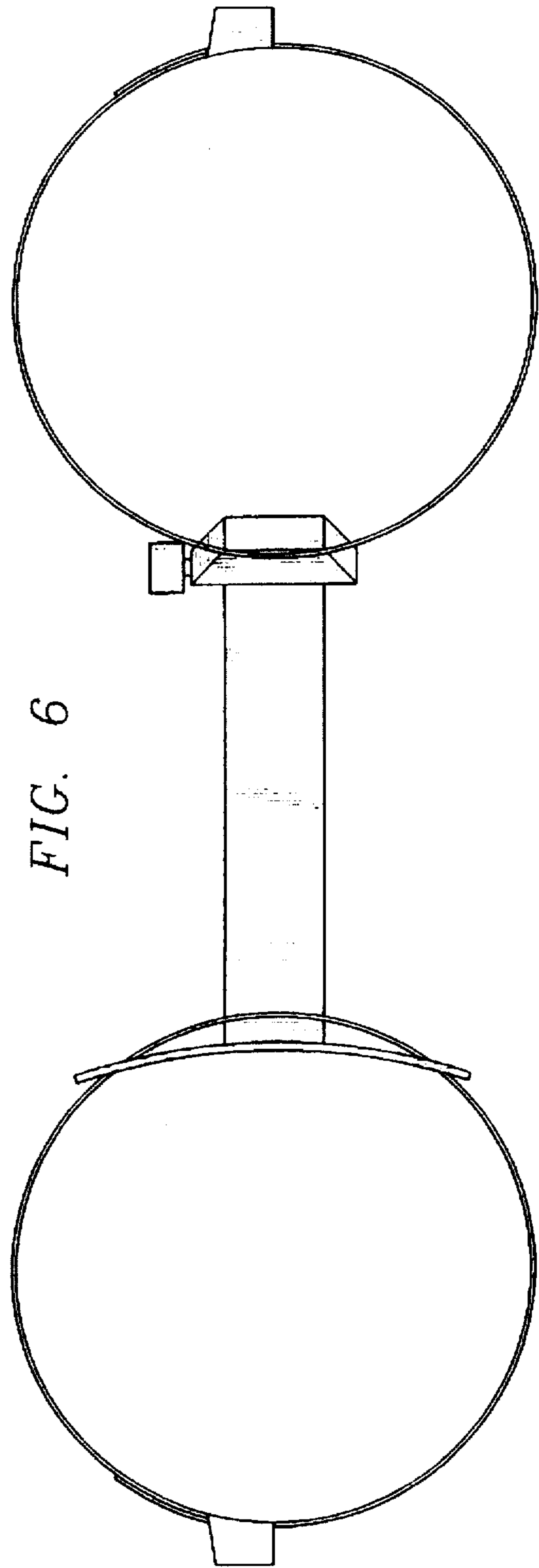


FIG. 6