



US00D391122S

United States Patent [19]
Wu

[11] **Patent Number: Des. 391,122**
[45] **Date of Patent: **Feb. 24, 1998**

[54] **BOTTLE RACK**

2,881,999 4/1959 Mitchell 248/106
5,558,236 9/1996 Williams et al. D7/704

[76] **Inventor: Bene-Mon Wu**, No. 33, Lane 676, Sec. 2, Chung Cheng Road, Yung Kang Shih, Tainan Hsien, Taiwan

Primary Examiner—Stella Reid
Attorney, Agent, or Firm—Pro-Techtor International

[**] **Term: 14 Years**

[57] **CLAIM**

[21] **Appl. No.: 69,874**

The ornamental design for a bottle rack, as shown and described.

[22] **Filed: May 13, 1997**

DESCRIPTION

[51] **LOC (6) Cl. 07-06**

FIG. 1 is a perspective view of a bottle rack showing my new design;

[52] **U.S. Cl. D7/619; D6/466; D7/704**

FIG. 2 is a front elevational view thereof;

[58] **Field of Search D24/199; 248/102,**

FIG. 3 is a rear elevational view thereof;

248/103, 104, 105, 106, 107; D6/490, 462,

FIG. 4 is a left elevational view thereof;

466; D7/602, 601, 619, 704; 211/74, 106,

FIG. 5 is a right elevational view thereof;

181

FIG. 6 is a top plan view thereof; and,

[56] **References Cited**

FIG. 7 is a bottom plan view thereof; and,

U.S. PATENT DOCUMENTS

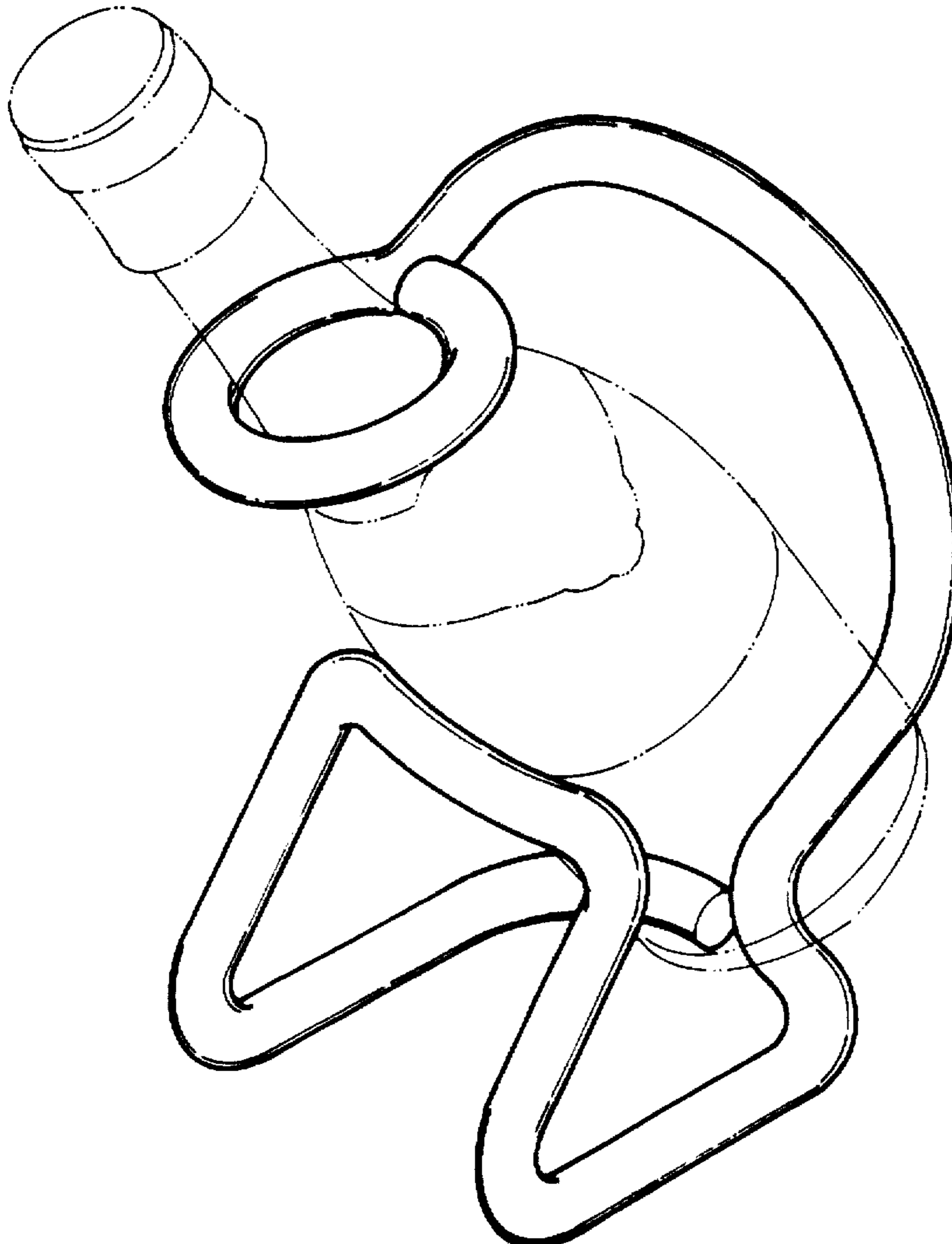
FIG. 8 is a perspective view thereof, the broken line showing of the bottle is for illustrative purposes only and forms no part of the claimed design.

D. 35,126 9/1901 Wagner D7/619

D. 228,529 10/1973 Bates D24/199

D. 325,850 5/1992 Chaney D7/619

1 Claim, 6 Drawing Sheets



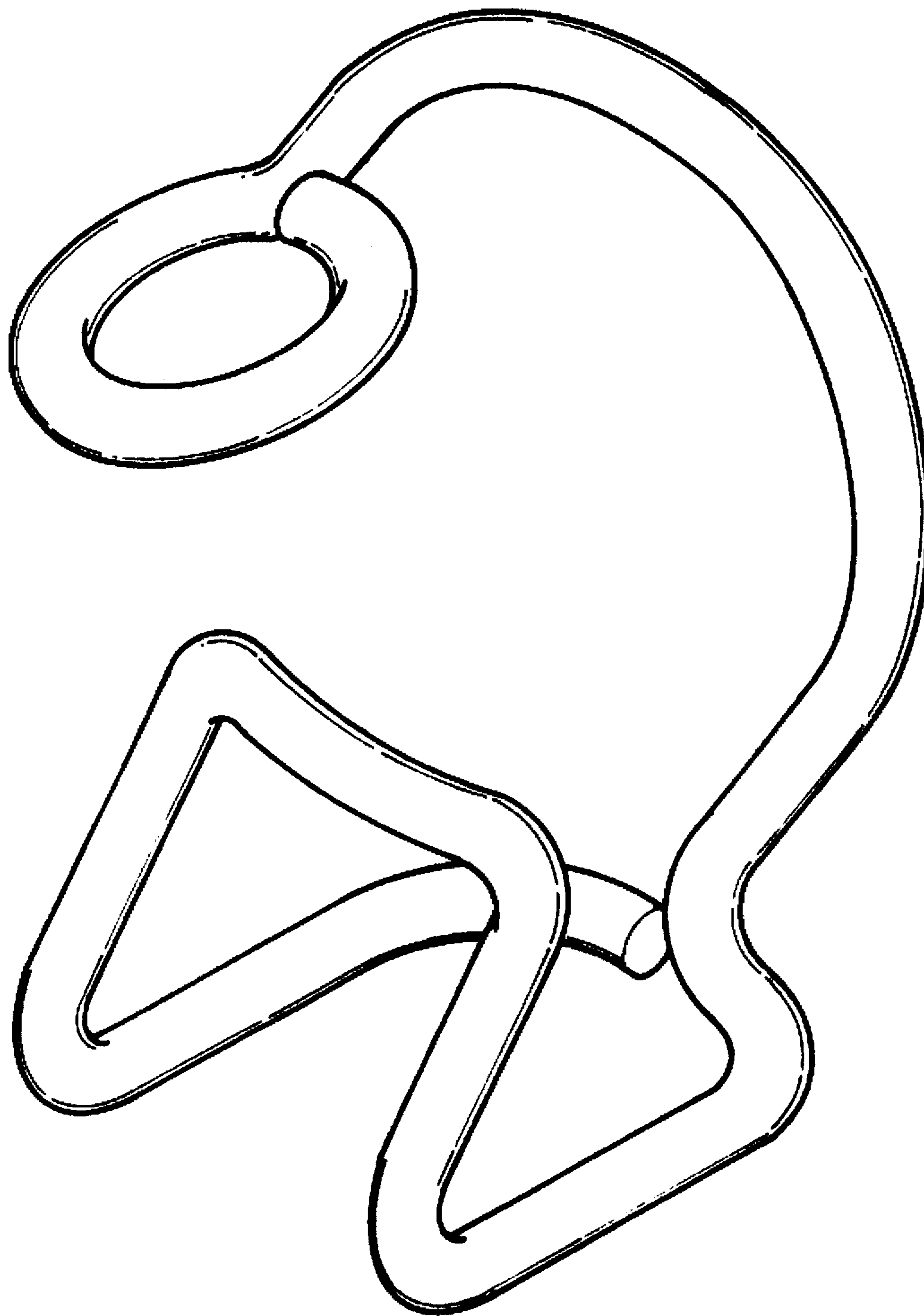


FIG.1

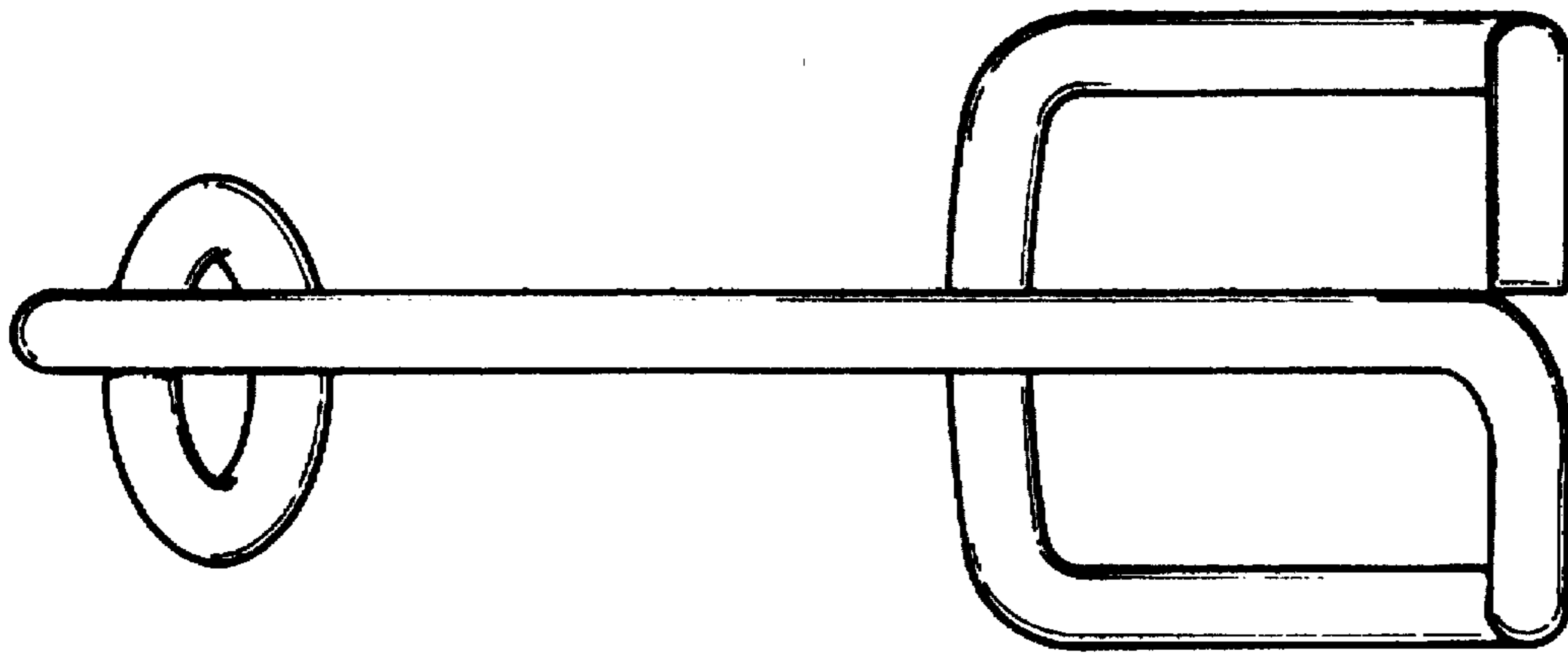


FIG. 3

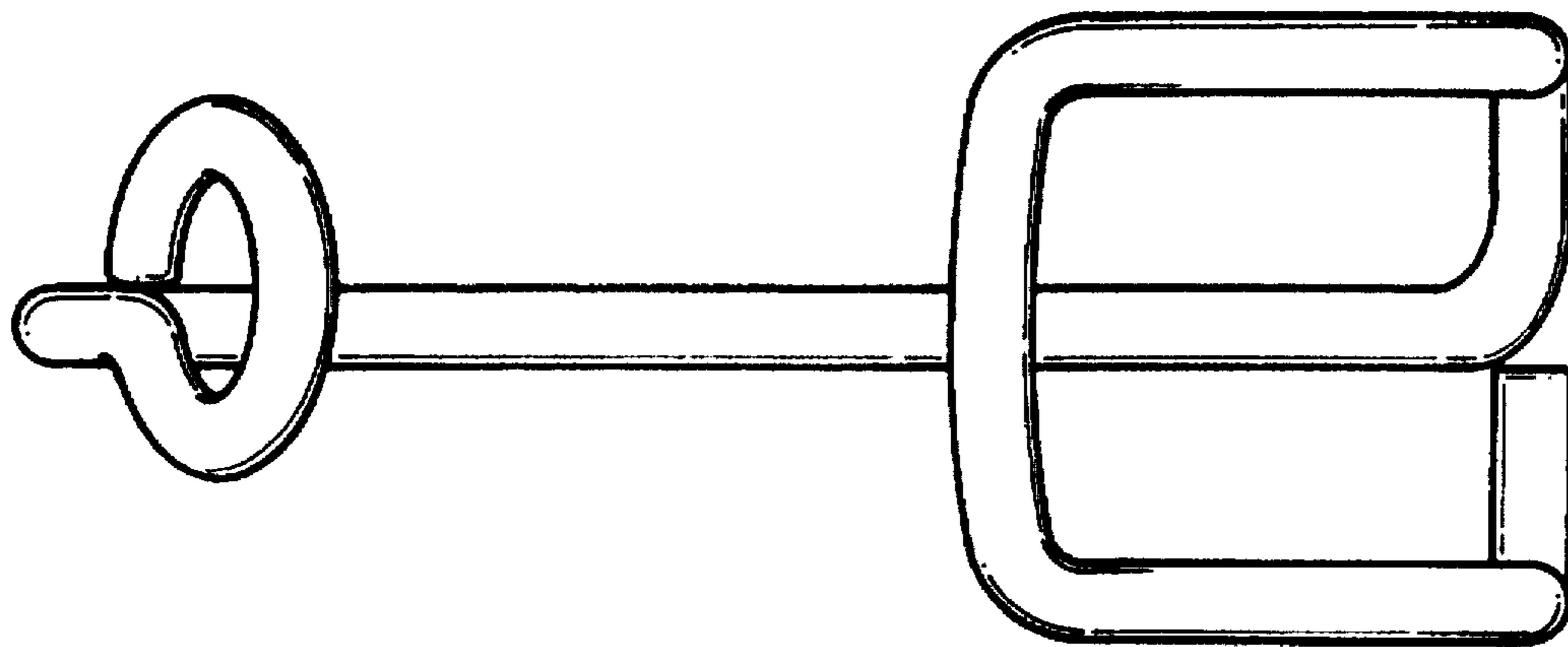


FIG. 2

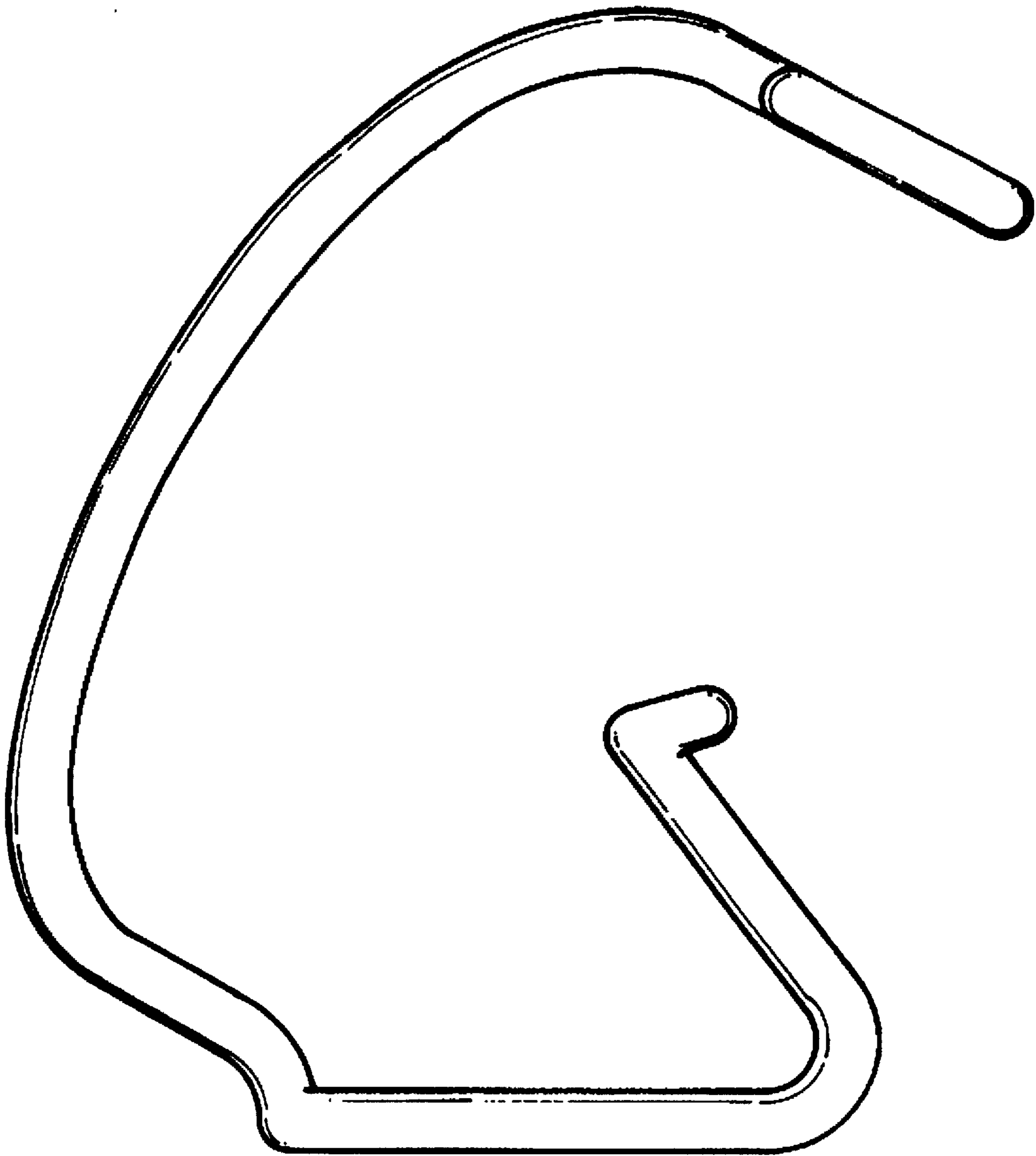


FIG. 4

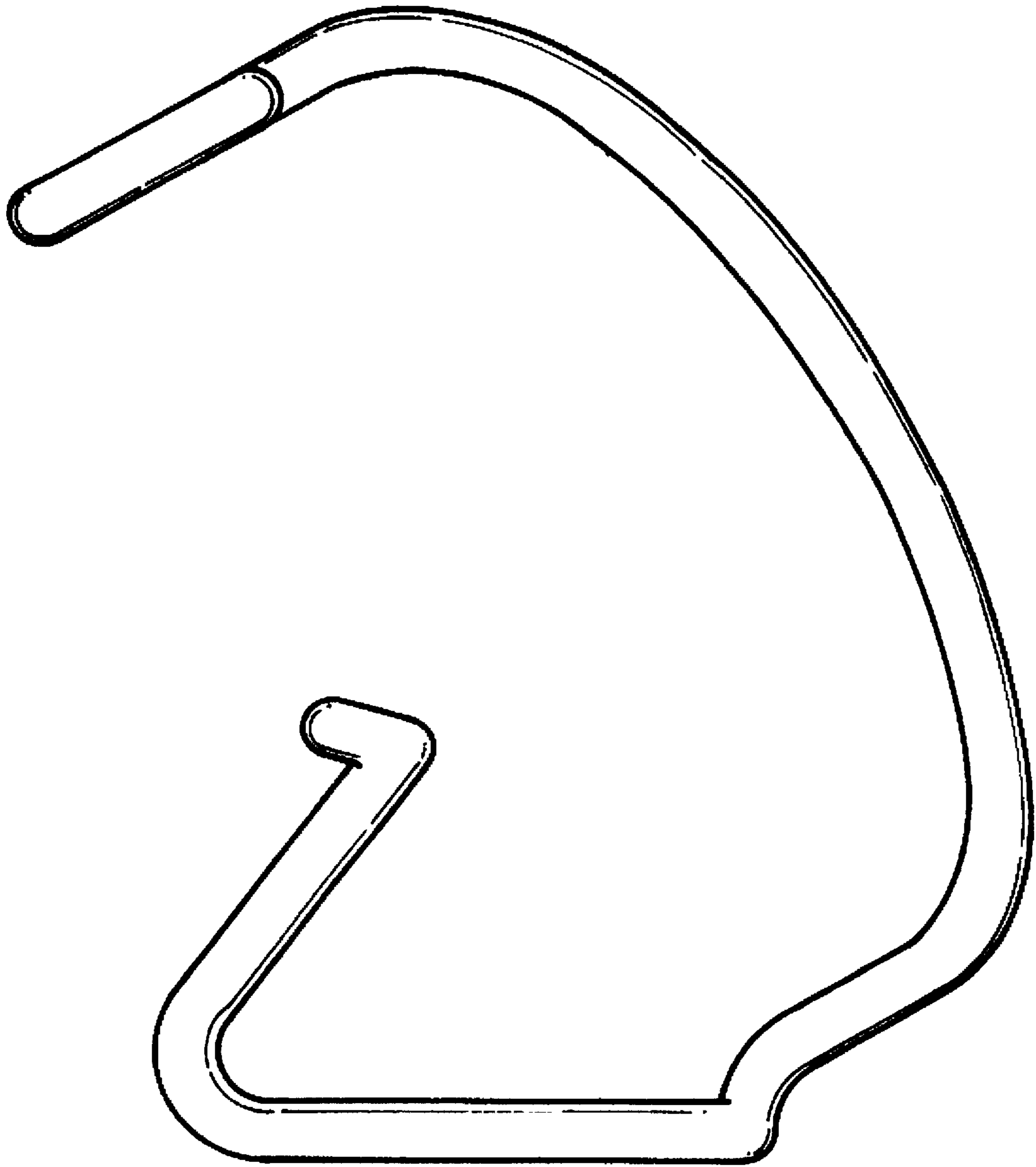


FIG. 5

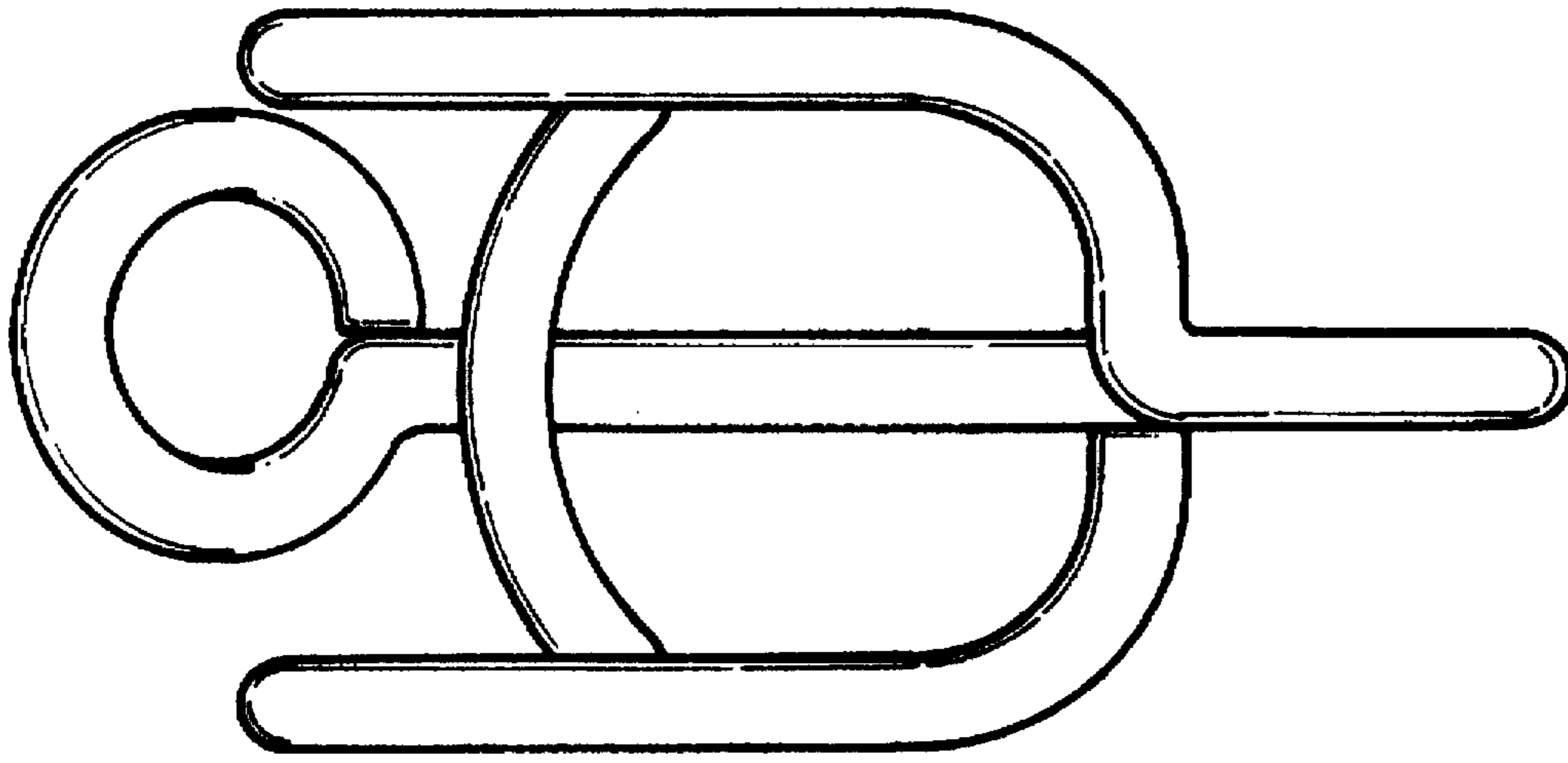


FIG. 7

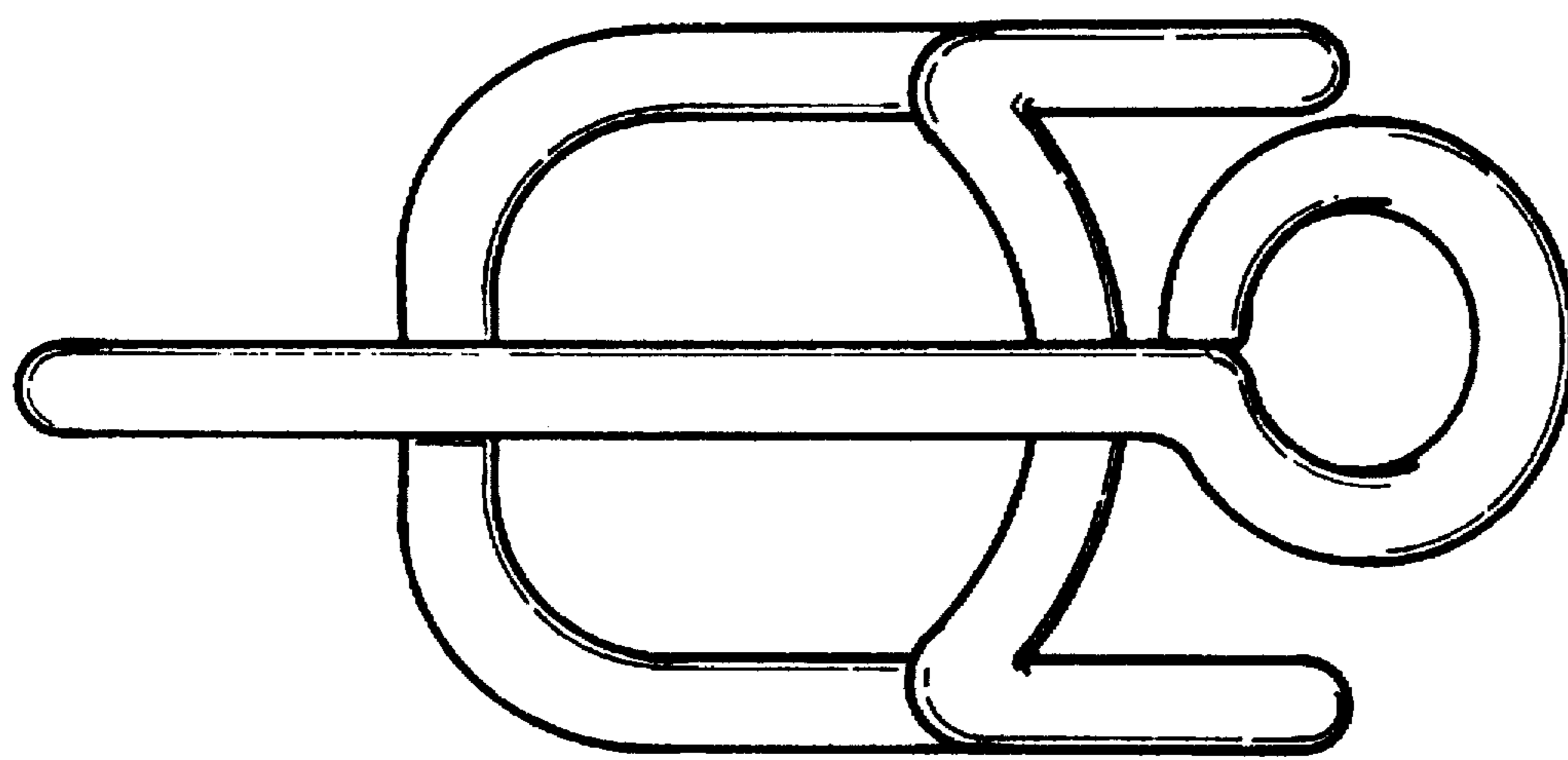


FIG. 6

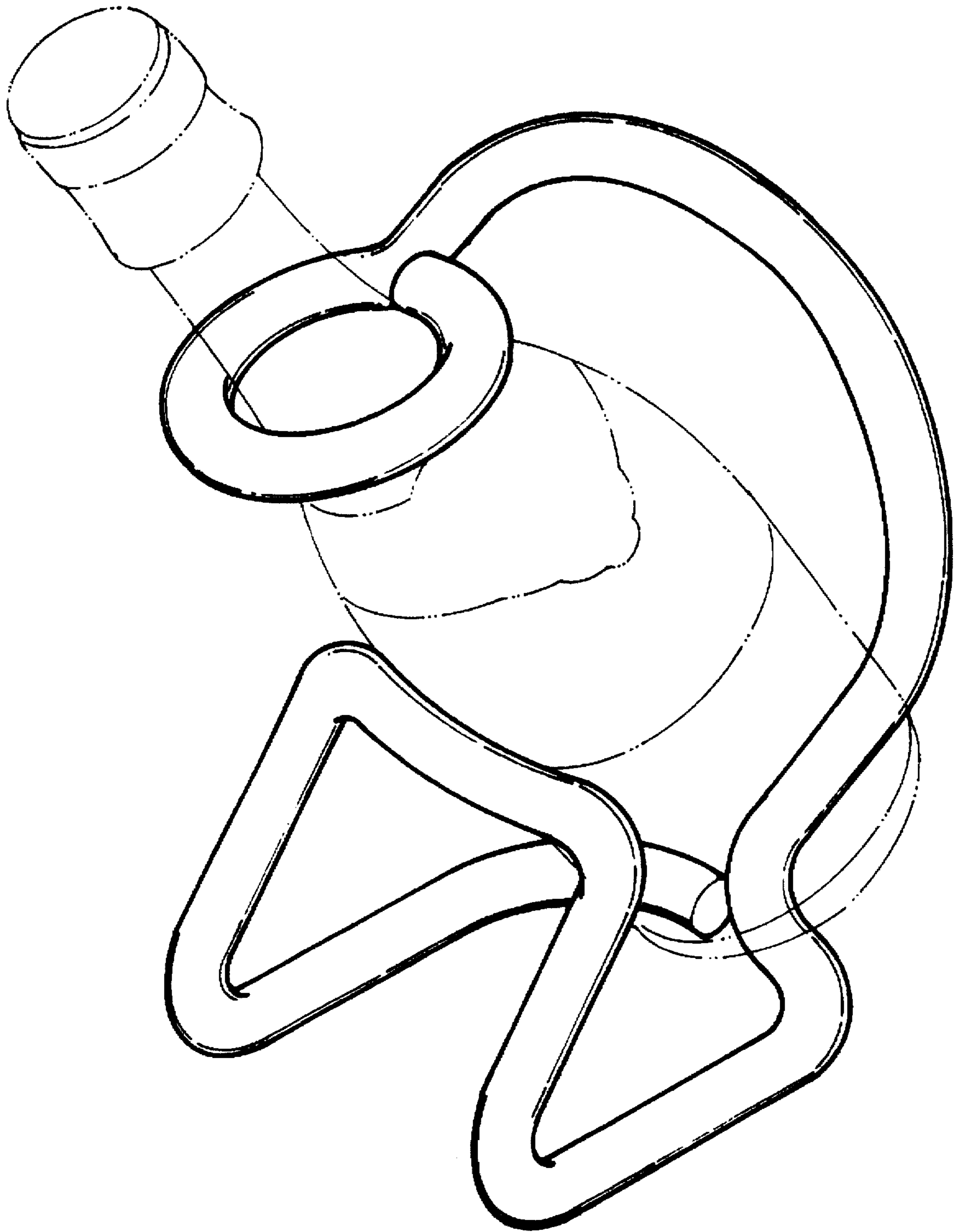


FIG. 8