



US00D391119S

# United States Patent [19]

[11] Patent Number: **Des. 391,119**

**Rapaz**

[45] Date of Patent: **\*\*Feb. 24, 1998**

[54] **RECEPTACLE STAND**

D. 348,589 7/1994 Cautereels et al. .... D7/558  
5,143,247 9/1992 Gavle ..... D7/619 X

[76] Inventor: **Antonio M. Rapaz**, 9498 Tupper Street, Chilliwack, British Columbia, Canada, V2P 4G4

*Primary Examiner*—Terry A. Wallace  
*Attorney, Agent, or Firm*—Oyen Wiggs Green & Mutala

[\*\*] Term: **14 Years**

[57] **CLAIM**

[21] Appl. No.: **60,317**

The ornamental design for a receptacle stand, as shown and described.

[22] Filed: **Sep. 26, 1996**

[30] **Foreign Application Priority Data**

**DESCRIPTION**

Mar. 27, 1996 [CA] Canada ..... 1996-0744

[51] **LOC (6) Cl.** ..... **07-01**

[52] **U.S. Cl.** ..... **D7/601**

[58] **Field of Search** ..... D7/605-608, 558,  
D7/543-548, 601, 602, 603, 355; 62/457.1,  
457.6, 457.9; 220/574, 574.1, 575; 99/324,  
340, 483

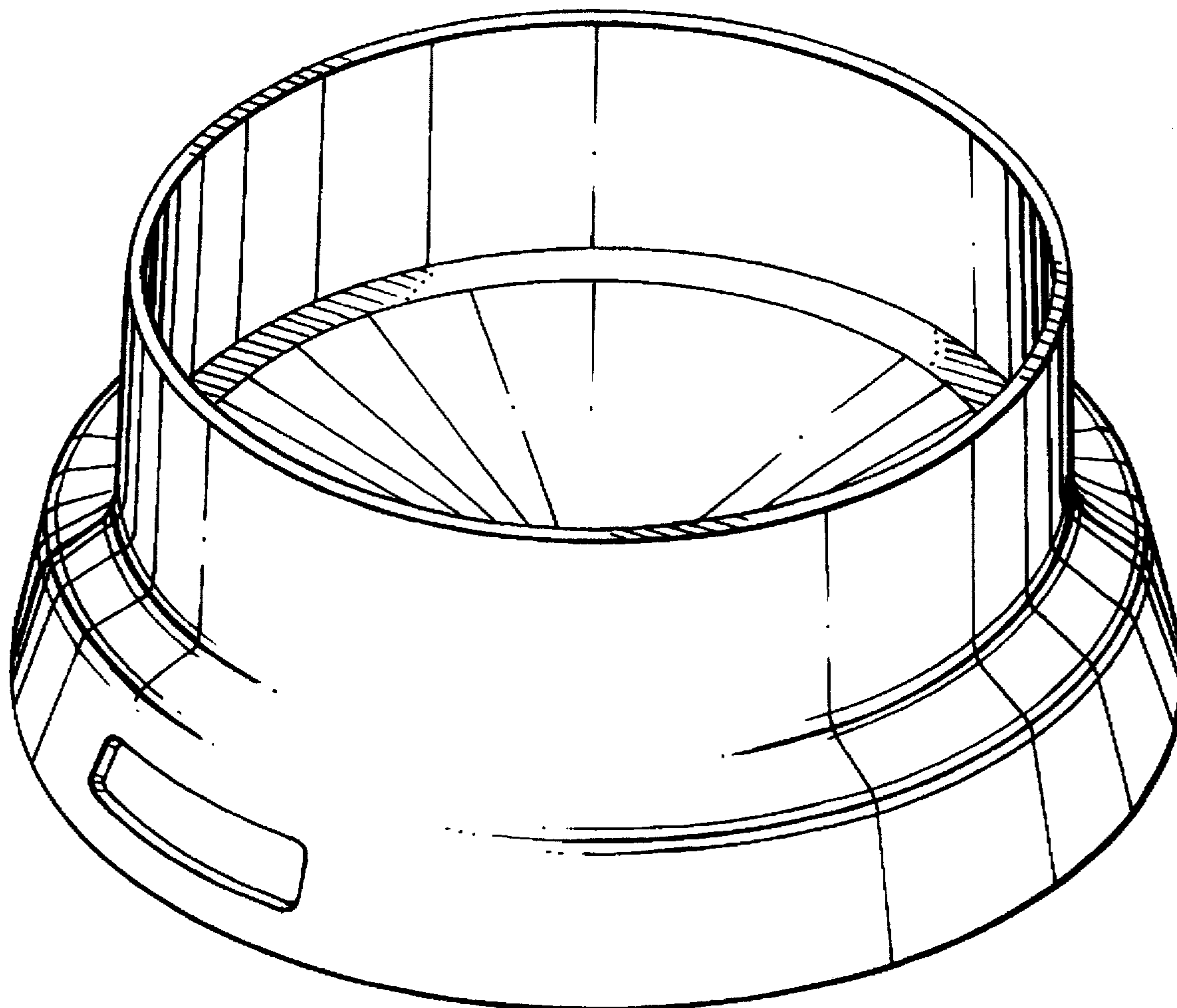
FIG. 1 is an isometric view of the applicant's receptacle stand illustrating the new design;  
FIG. 2 is a top plan view thereof;  
FIG. 3 is a side elevational view thereof;  
FIG. 4 is an end elevational view thereof; and,  
FIG. 5 is a bottom plan view thereof.

[56] **References Cited**

**U.S. PATENT DOCUMENTS**

D. 279,445 7/1985 Jagger ..... D7/558

**1 Claim, 2 Drawing Sheets**



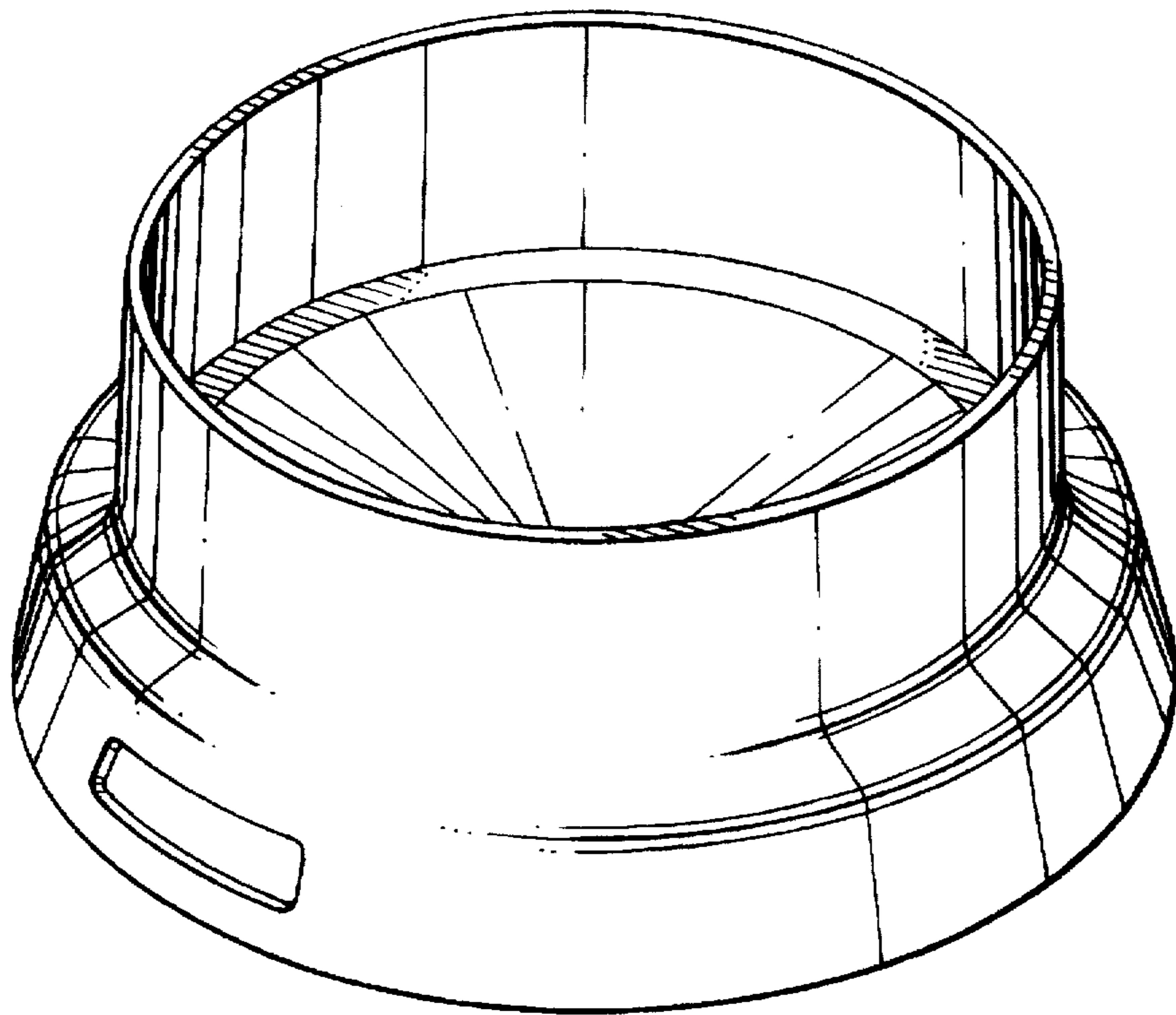


FIG. 1

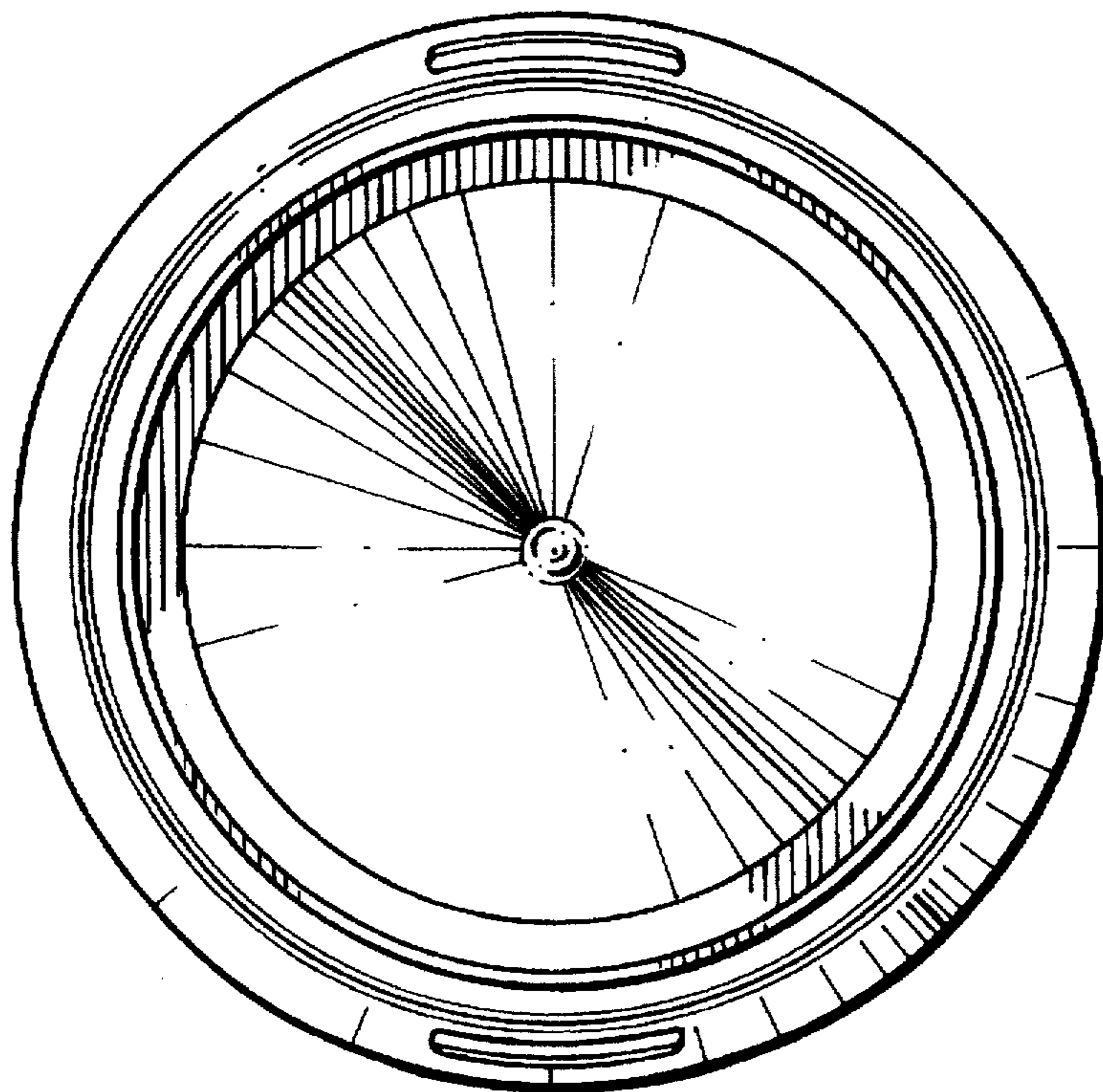


FIG. 2

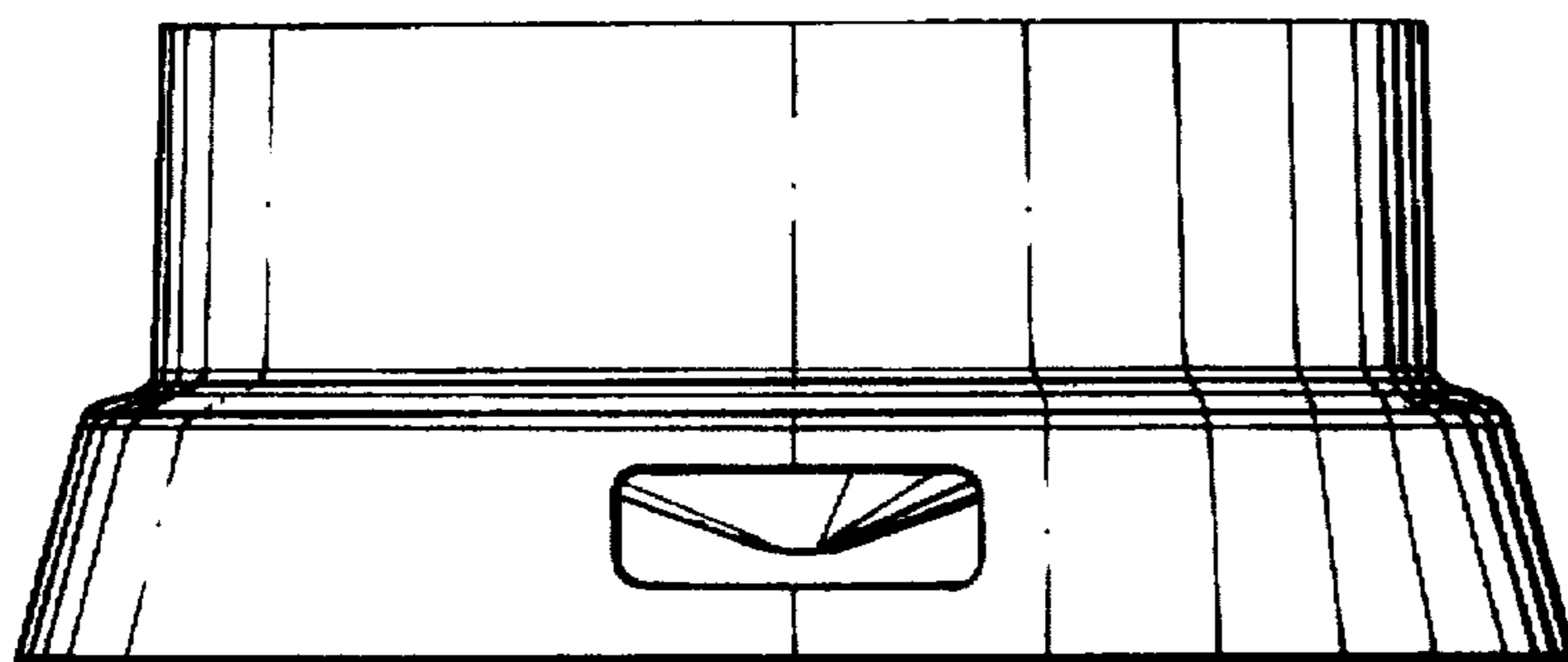


FIG. 3

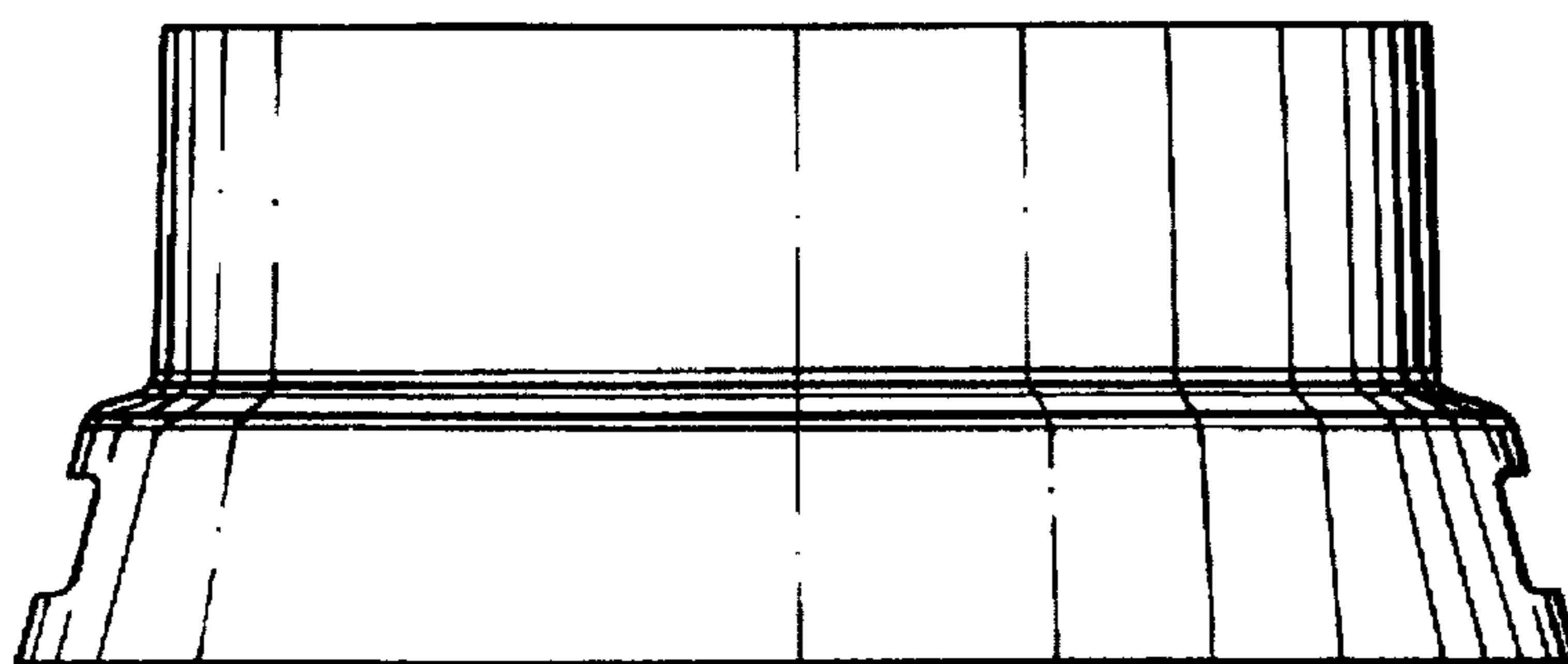


FIG. 4

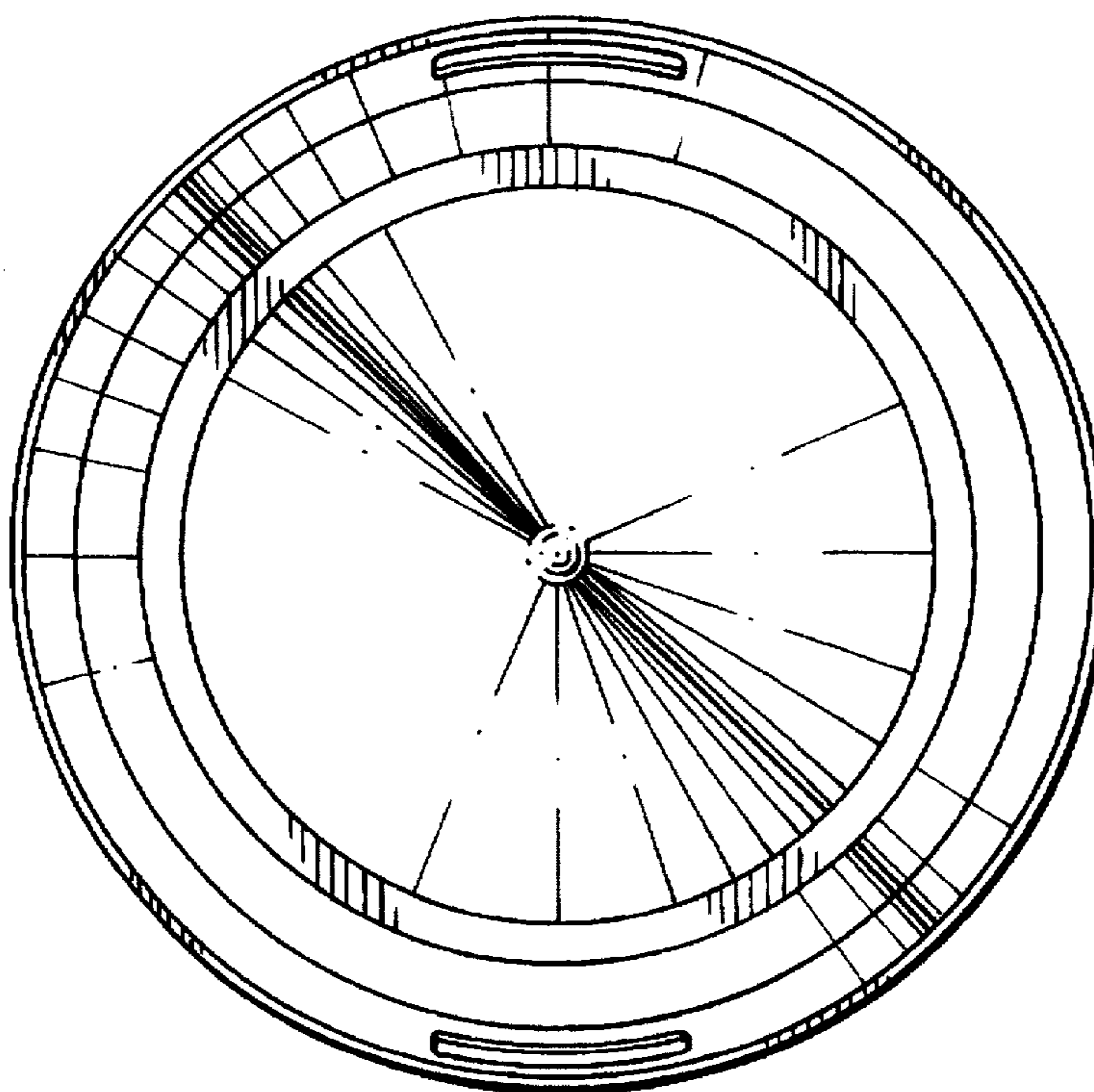


FIG. 5