



US00D391117S

# United States Patent [19]

Law et al.

[11] Patent Number: **Des. 391,117**

[45] Date of Patent: **\*\*Feb. 24, 1998**

[54] **FIRE STARTER BOX**

[75] Inventors: **James M. Law**, Fonda, N.Y.; **William Richins**, Wilton, Conn.

[73] Assignee: **Adirondack Partners, Inc.**, Fonda, N.Y.

[\*\*] Term: **14 Years**

[21] Appl. No.: **69,612**

[22] Filed: **May 6, 1997**

[51] LOC (6) Cl. .... **07-99**

[52] U.S. Cl. .... **D7/417; D7/416; D7/431**

[58] Field of Search ..... **D7/416, 417; D9/432, D9/433, 431, 430; 126/25 B; 206/508; D13/100**

[56] **References Cited**

**U.S. PATENT DOCUMENTS**

D. 30,428	3/1899	Hamburger	.....	D9/431
D. 209,454	12/1967	Church	.....	D13/100
D. 245,257	8/1977	Taylor	.....	D7/416
D. 245,258	8/1977	Taylor	.....	D7/416
D. 349,052	7/1994	Goldstein et al.	.....	D9/430
D. 356,033	3/1995	Horvat et al.	.....	D9/430
D. 356,253	3/1995	Bacchetti et al.	.....	D9/431 X

D. 359,904	7/1995	Mahbry	.....	D9/432
928,423	7/1909	Belson	.....	D9/433 X
3,220,683	11/1965	Doll	.....	D9/430 X
3,934,520	1/1976	Brennan et al.	.....	D7/417 X
5,269,286	12/1993	Cowan	.....	D7/417 X

*Primary Examiner*—M. N. Pandozzi  
*Attorney, Agent, or Firm*—Schmeiser, Olsen & Watts

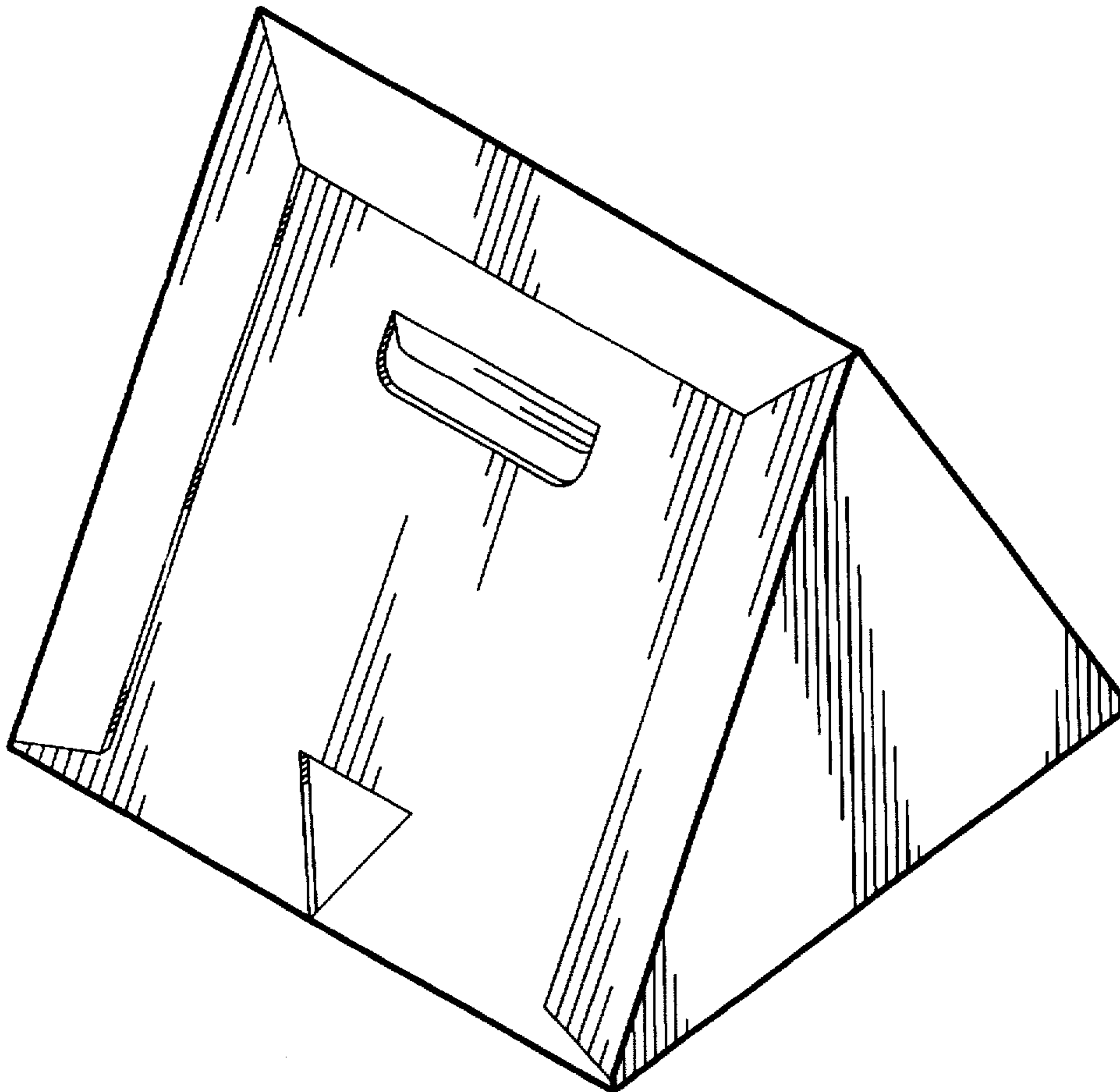
[57] **CLAIM**

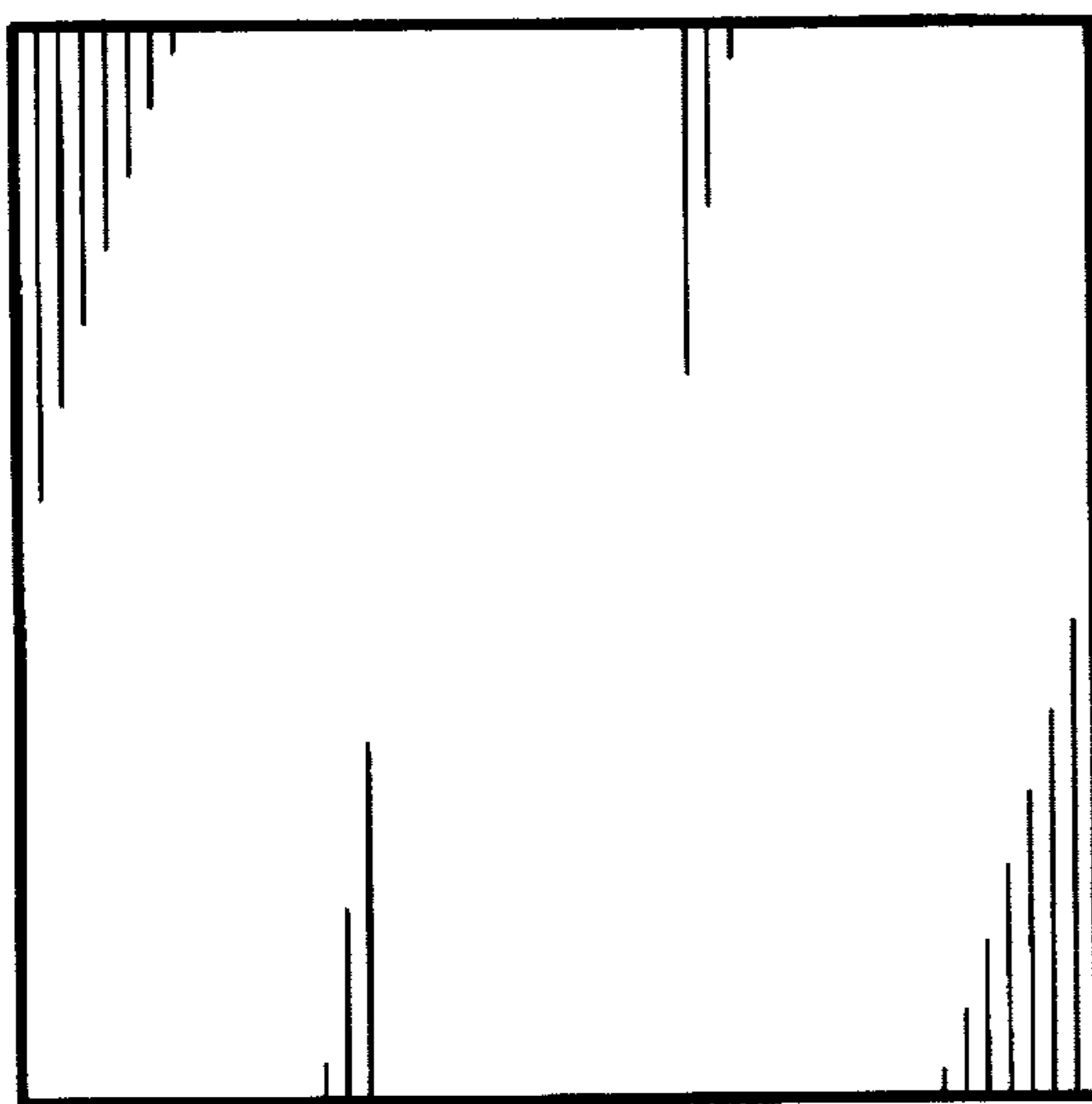
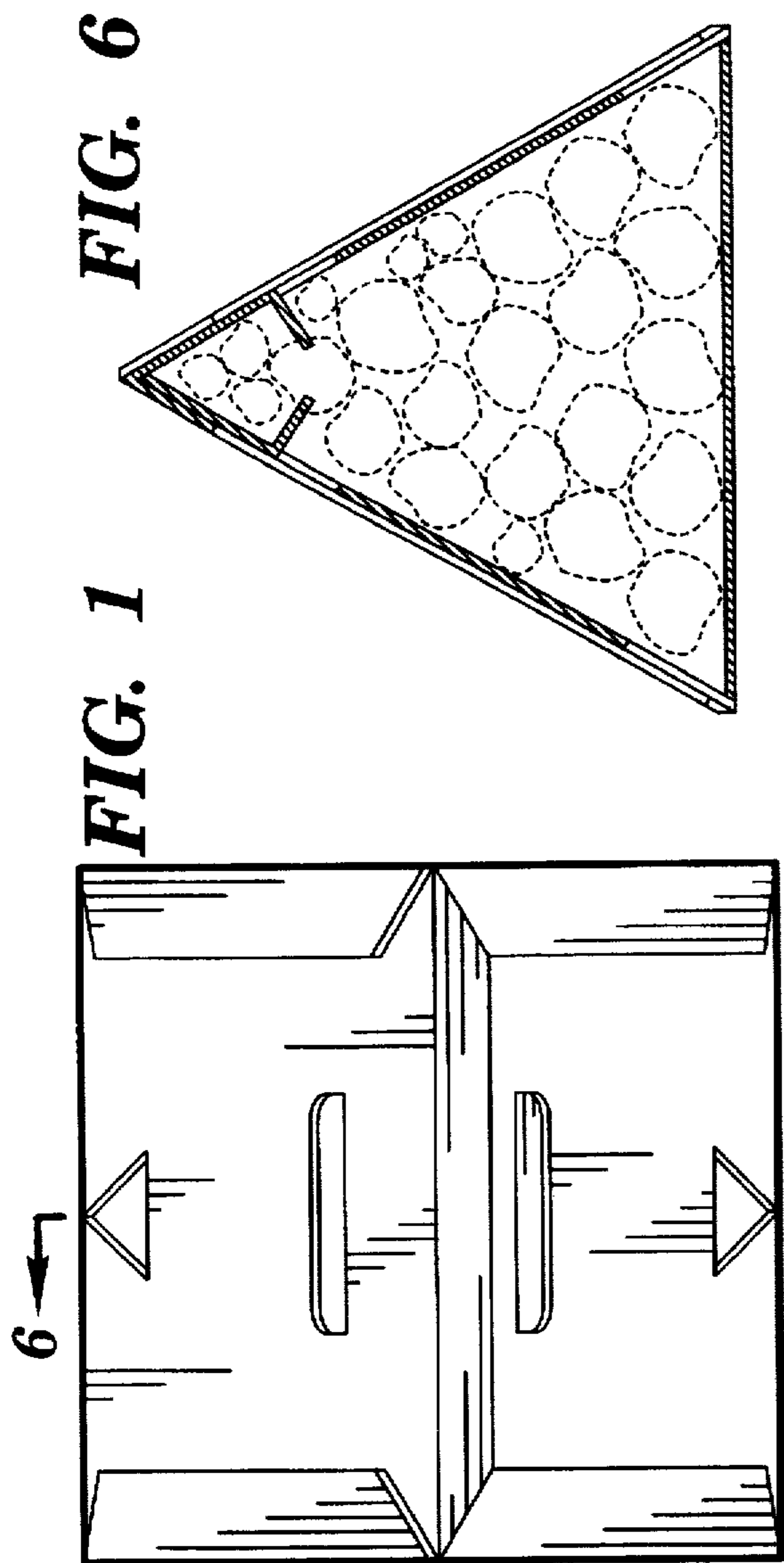
The ornamental design for a fire starter box, as shown and described.

**DESCRIPTION**

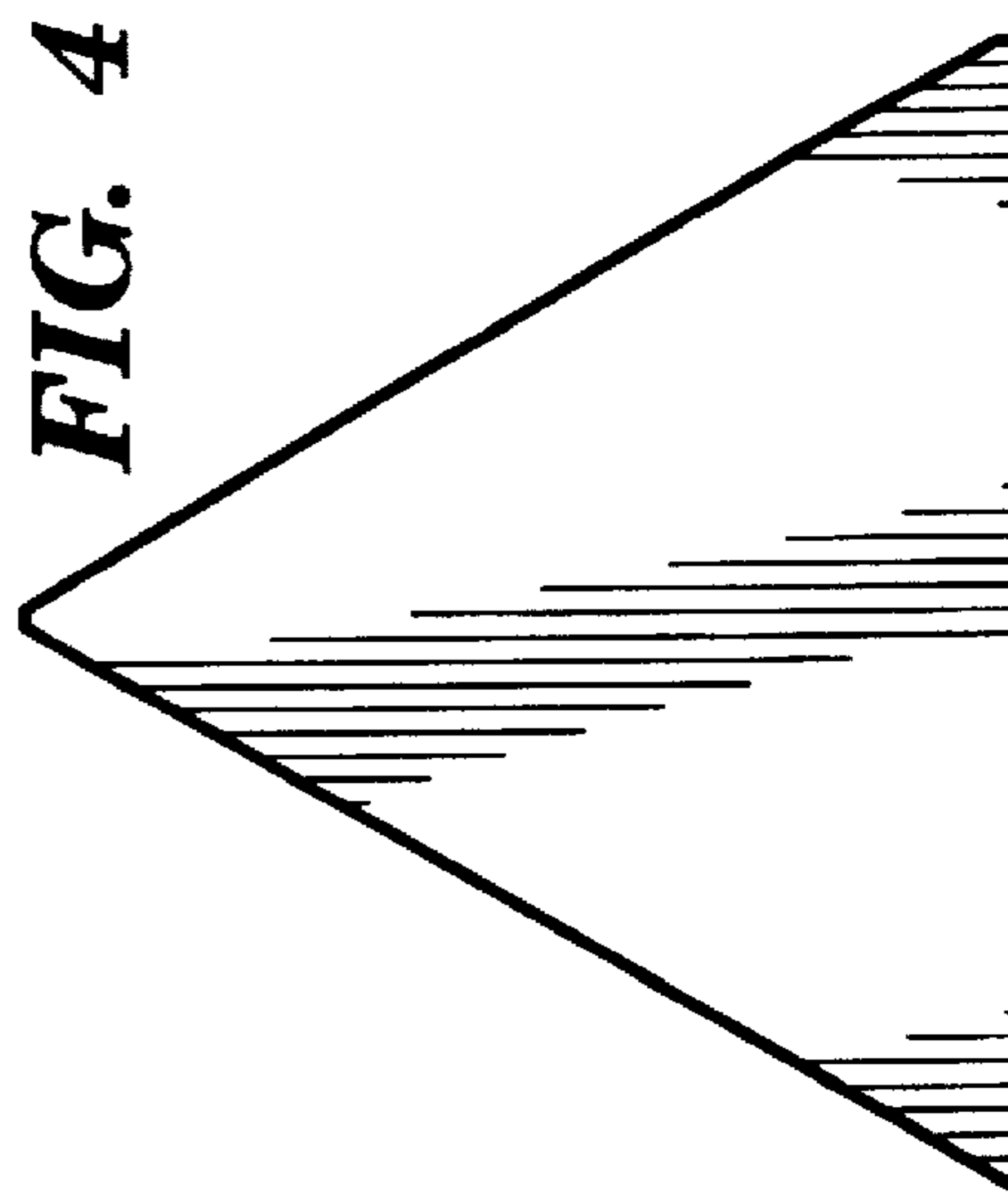
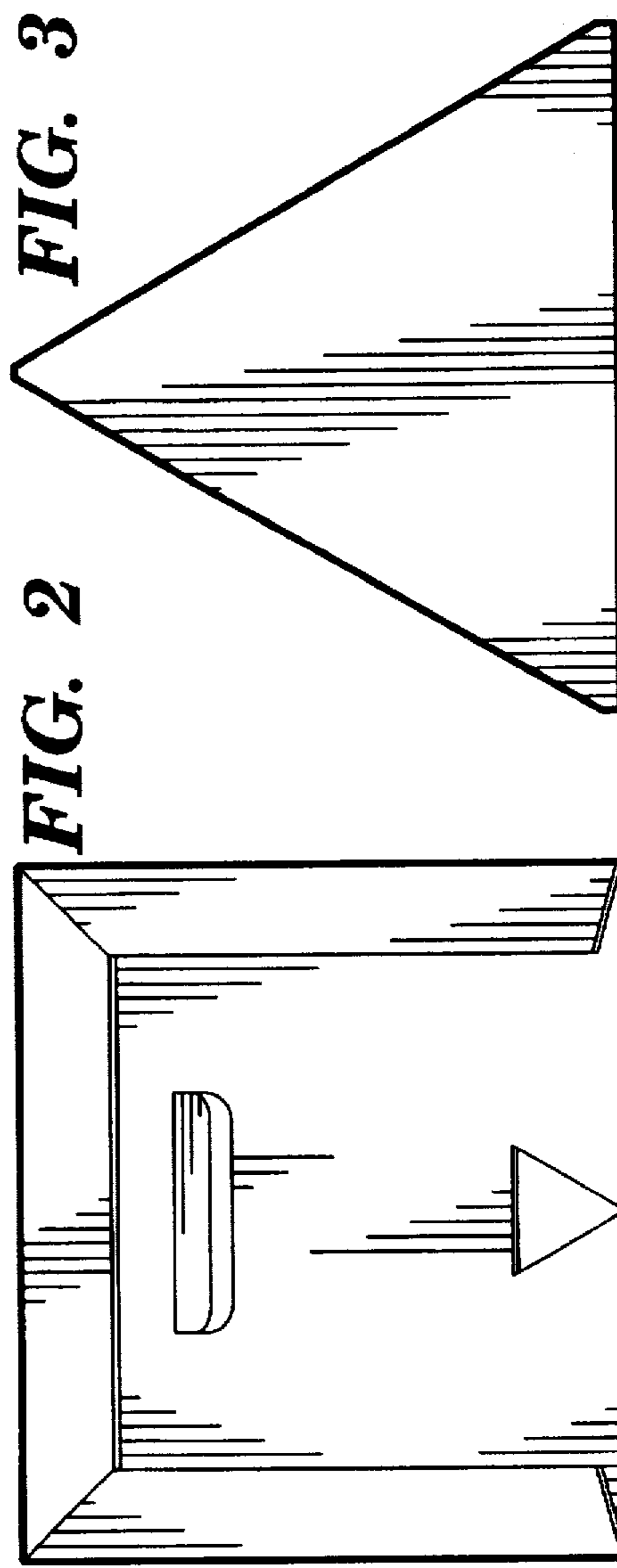
FIG. 1 is a top view of the present invention;  
 FIG. 2 is a front view of the present invention;  
 FIG. 3 is a right side view of the present invention;  
 FIG. 4 is a left side view of the present invention;  
 FIG. 5 is a bottom view of the present invention;  
 FIG. 6 is a cross-sectional along lines 6—6 in FIG. 1 of the present invention;  
 FIG. 7 is an isometric view of the present invention; and,  
 FIG. 8 is an isometric view of the present invention.  
 The broken line showing in FIG. 1 is for illustrative purposes only and forms no part of the claimed design. The broken lines in FIG. 8 represent tear lines.

**1 Claim, 2 Drawing Sheets**

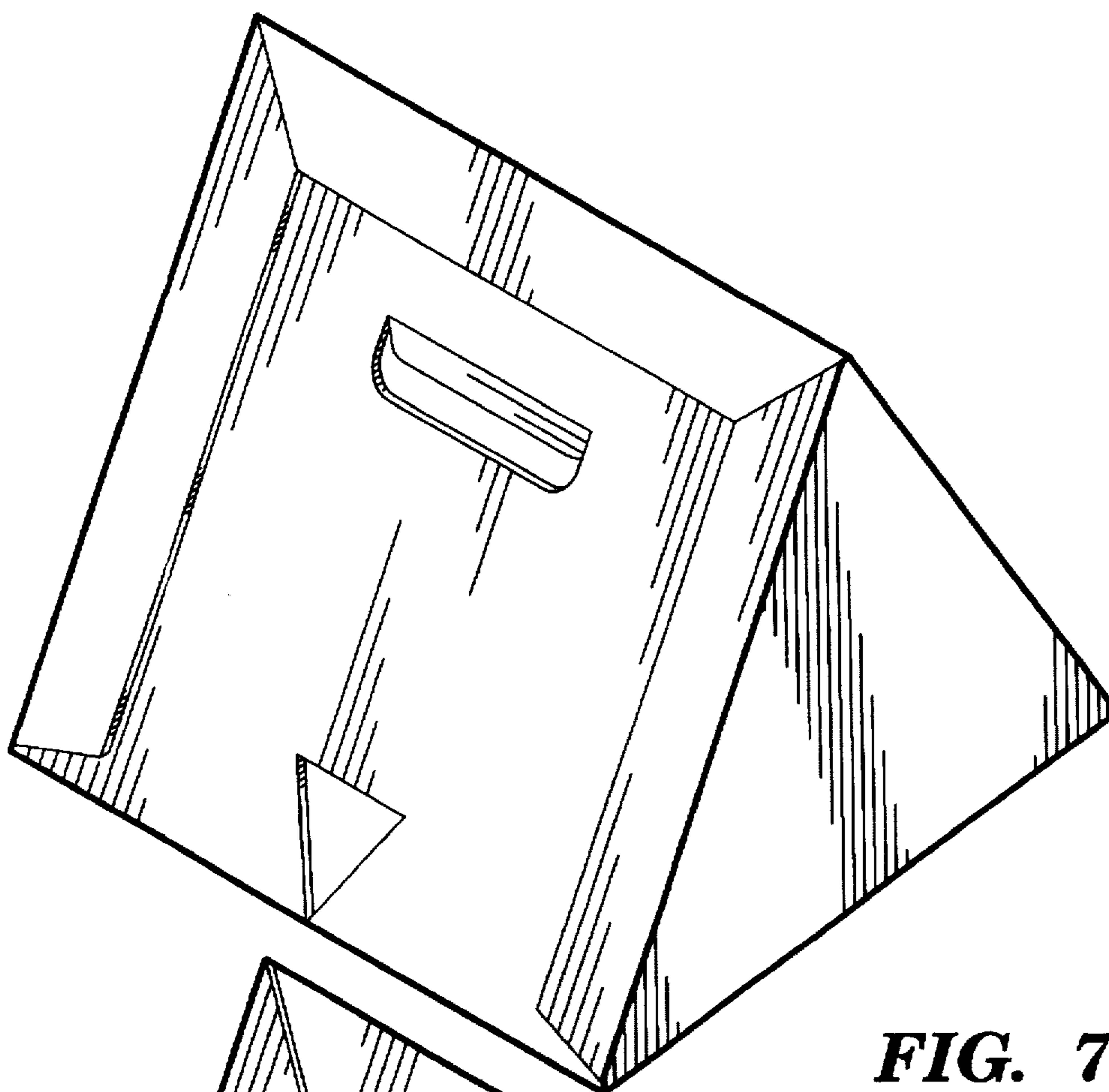




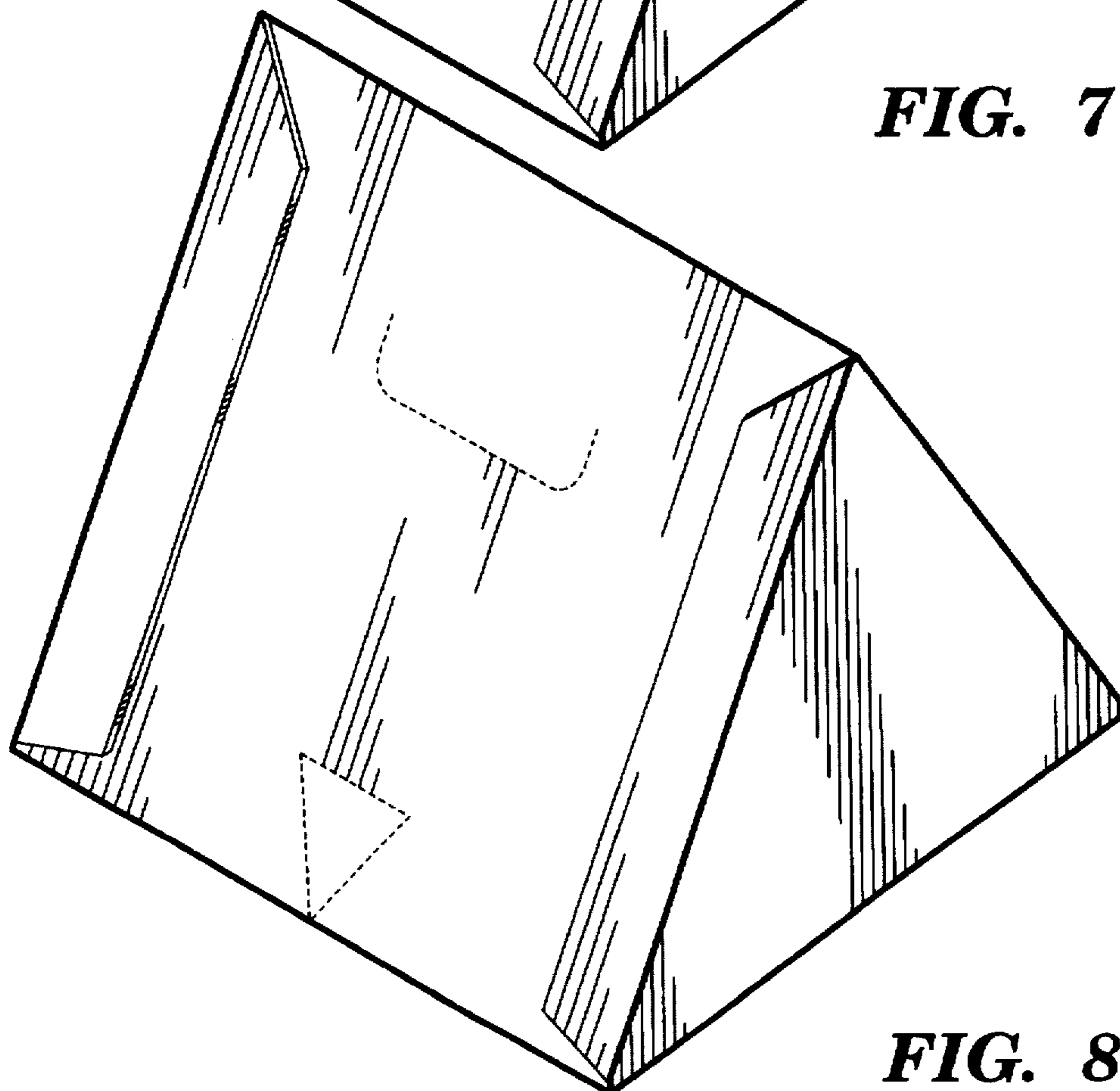
**FIG. 5**



**FIG. 4**



**FIG. 7**



**FIG. 8**