



US00D391115S

United States Patent [19]
Roberton

[11] **Patent Number: Des. 391,115**
[45] **Date of Patent: **Feb. 24, 1998**

[54] **SAFETY GUARD FOR A KNIFE**
[76] **Inventor: Larry Kenneth Roberton, RR3,**
Trenton, Ontario, Canada, K8V 5P6
[**] **Term: 14 Years**

1,333,960 3/1920 Brehm 30/285
4,601,102 7/1986 Phillips 30/123.5
4,763,416 8/1988 Copeland 30/294
4,980,977 1/1991 Matin et al. 30/286

Primary Examiner—Caron D. Veynar
Attorney, Agent, or Firm—Thomas Adams & Assoc.

[21] **Appl. No.: 71,631**
[22] **Filed: Jun. 5, 1997**
[30] **Foreign Application Priority Data**
Dec. 6, 1996 [CA] Canada 1996-2832

[57] **CLAIM**
The ornamental design for a safety guard for a knife, as shown and described.

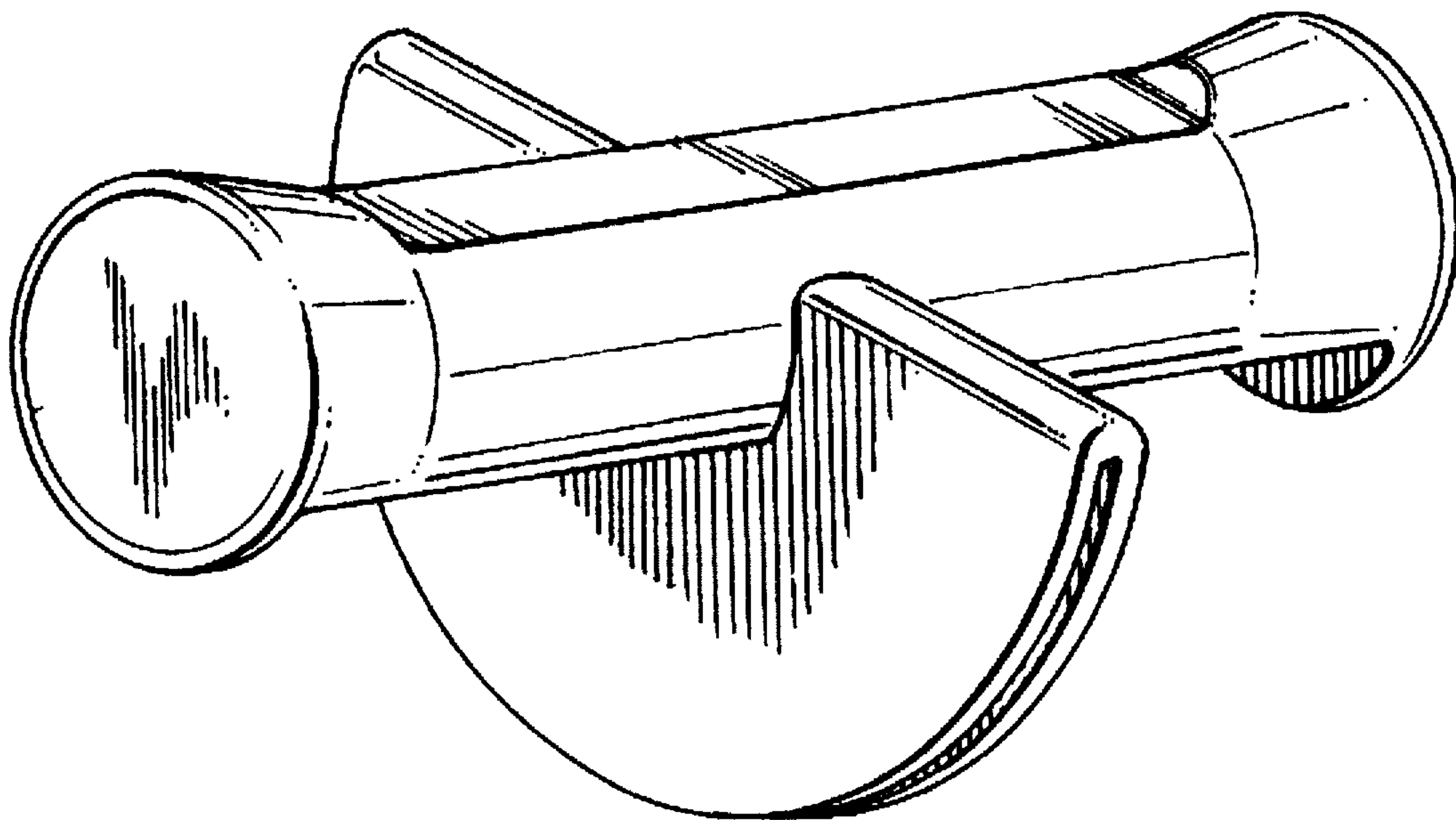
[51] **LOC (6) Cl. 07-03**
[52] **U.S. Cl. D7/401.2; 30/285; 30/286**
[58] **Field of Search D7/401.2, 642,**
D7/649-652; 30/284-286, 295

DESCRIPTION

FIG. 1 is a perspective view of a safety guard for a knife showing my new design;
FIG. 2 is a side view of the same safety guard, the opposite side view being a mirror image thereof;
FIG. 3 is an end view of the same safety guard, the opposite end view being a mirror image thereof;
FIG. 4 is a top view of the same safety guard;
FIG. 5 is an underside view of the same safety guard; and, FIG. 6 and 7 are similar end views of the same safety guard, the broken line showings are for illustrative purposes only and forms no part of the claimed design.

[56] **References Cited**
U.S. PATENT DOCUMENTS
D. 255,974 7/1980 Jacoby D7/401.2
D. 275,360 9/1984 Child D7/151
492,409 2/1893 May 30/295
933,626 9/1909 Coomber 30/286
1,118,507 11/1914 Meyer 30/285
1,222,366 4/1917 Curry 30/286

1 Claim, 3 Drawing Sheets



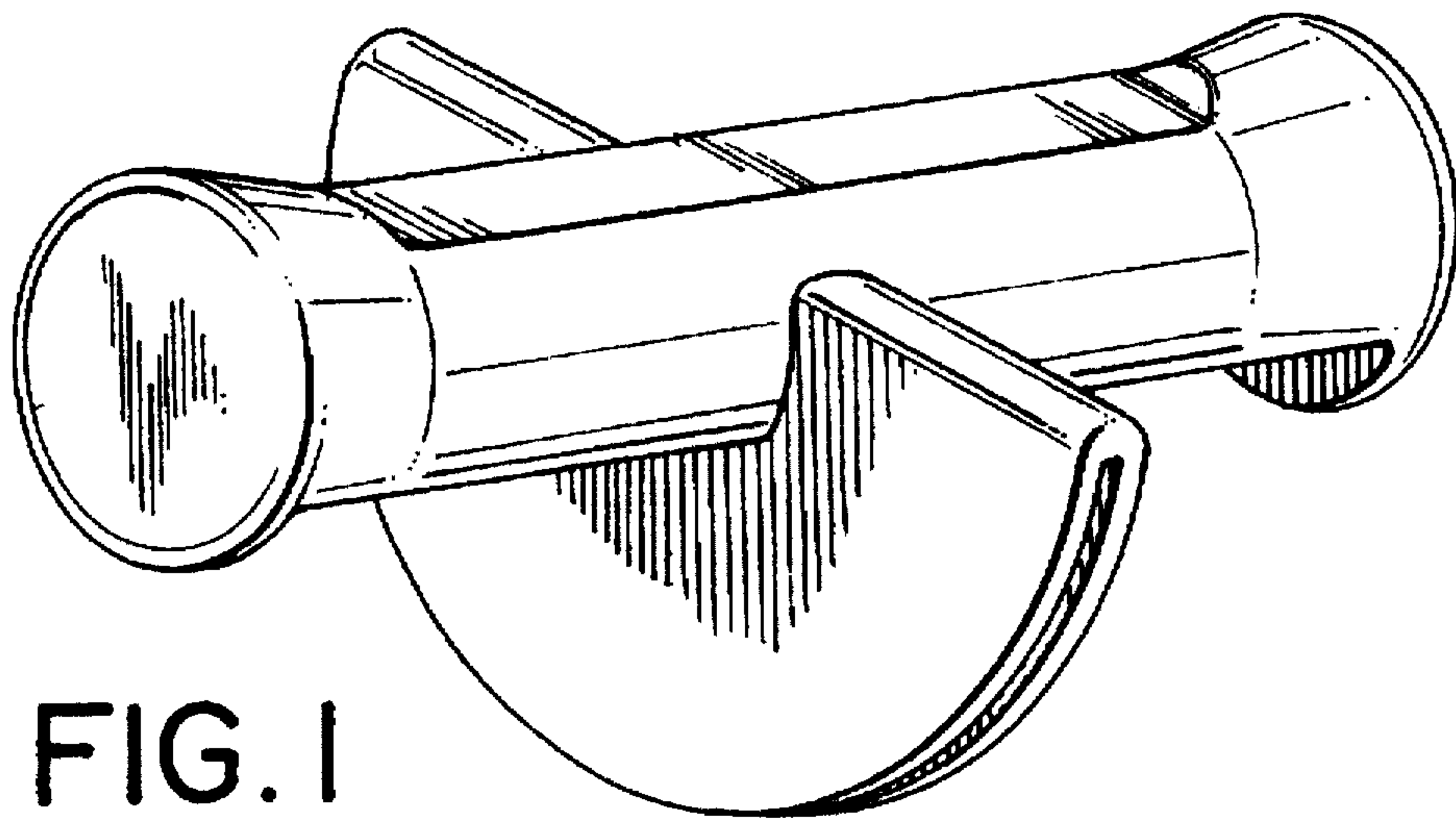


FIG. 1

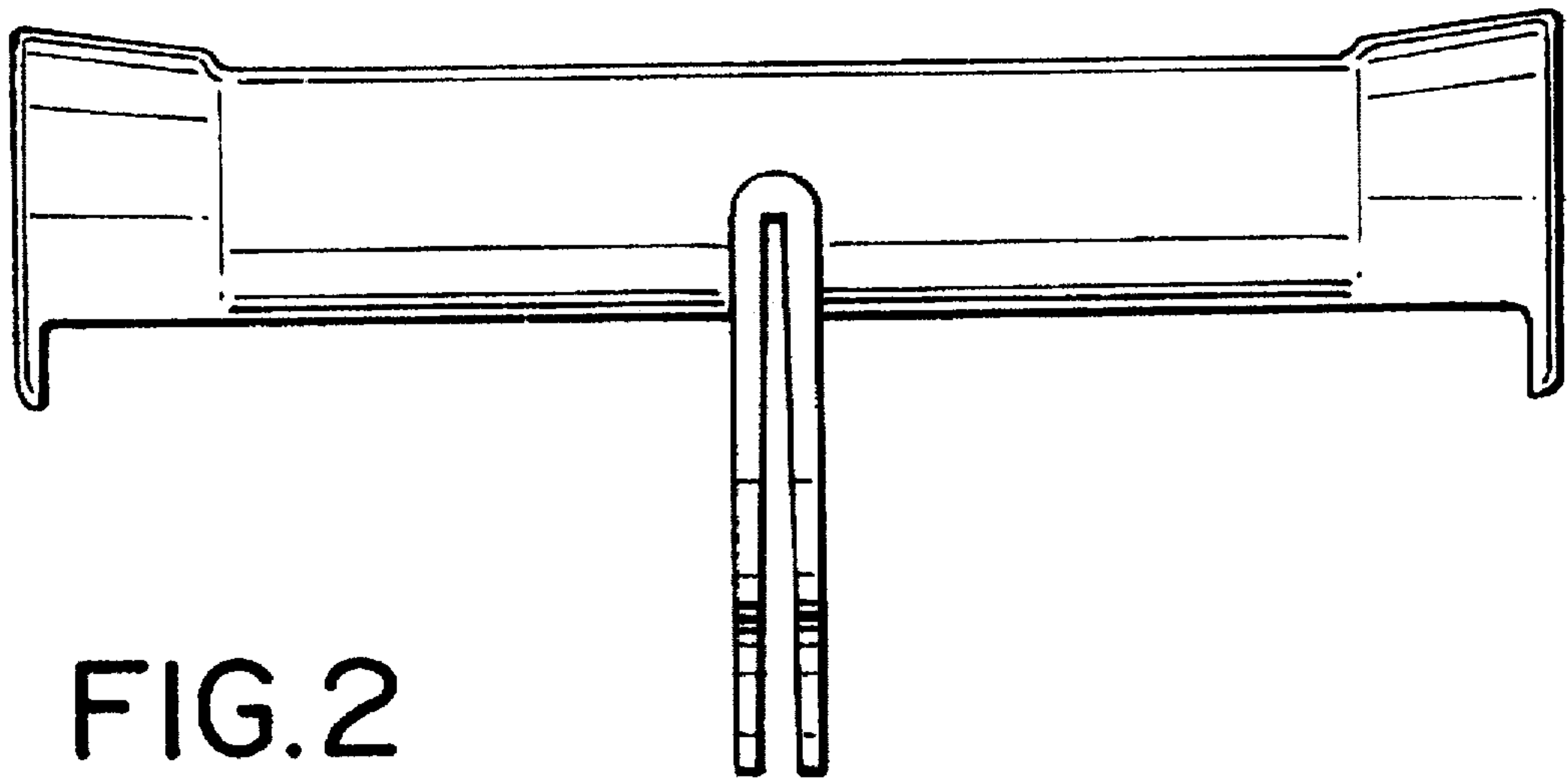


FIG. 2

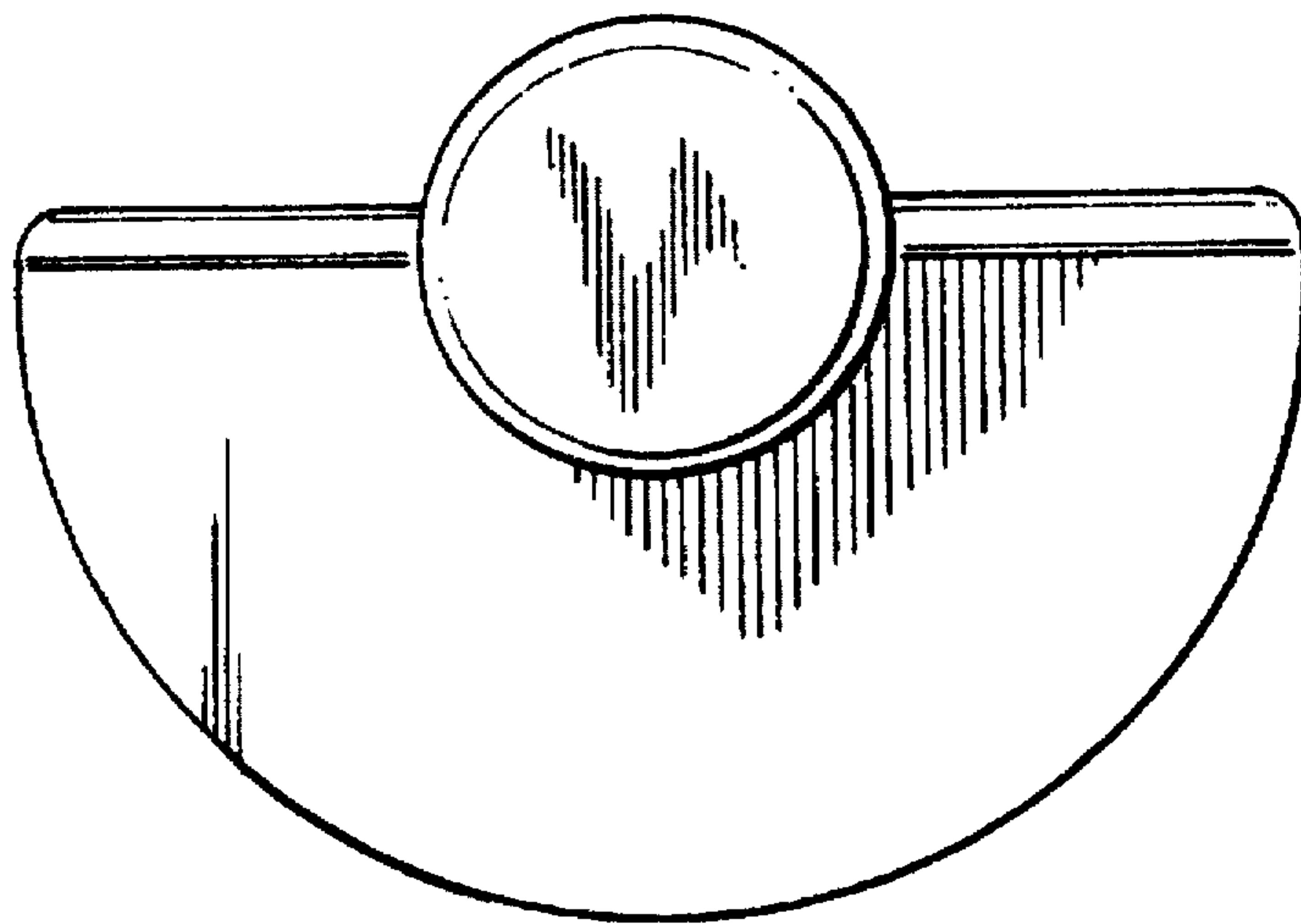


FIG. 3

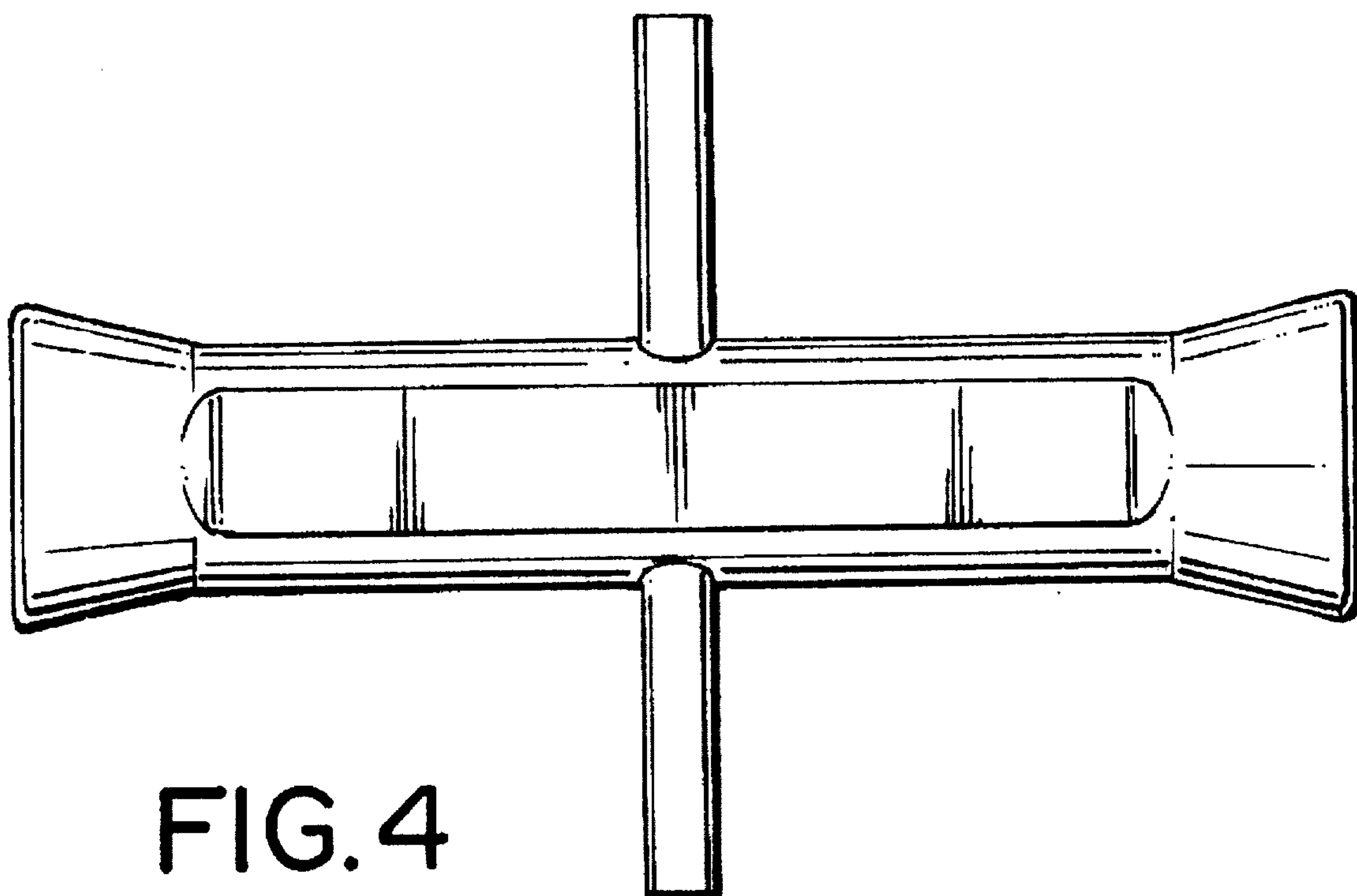


FIG. 4

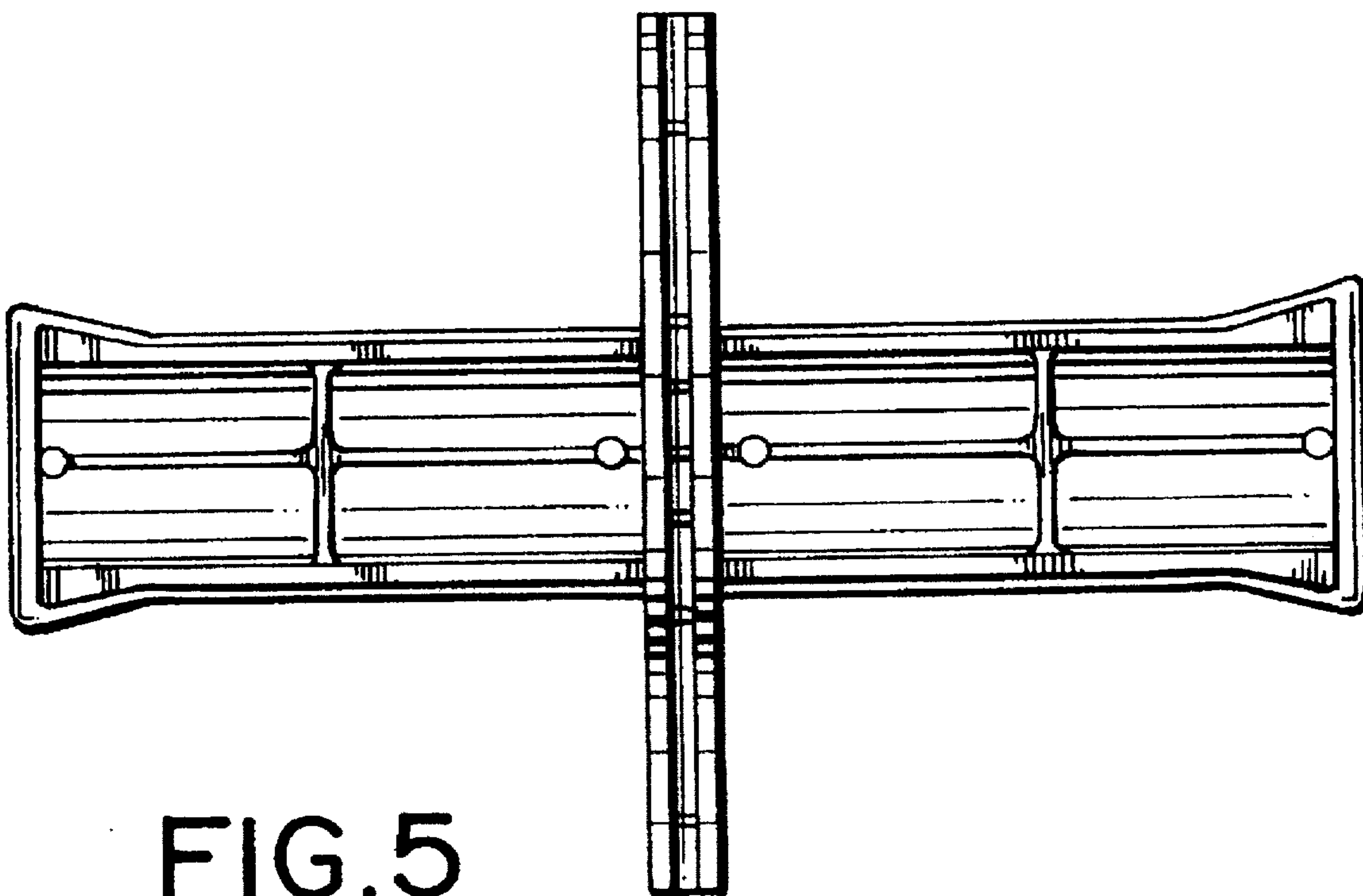


FIG. 5

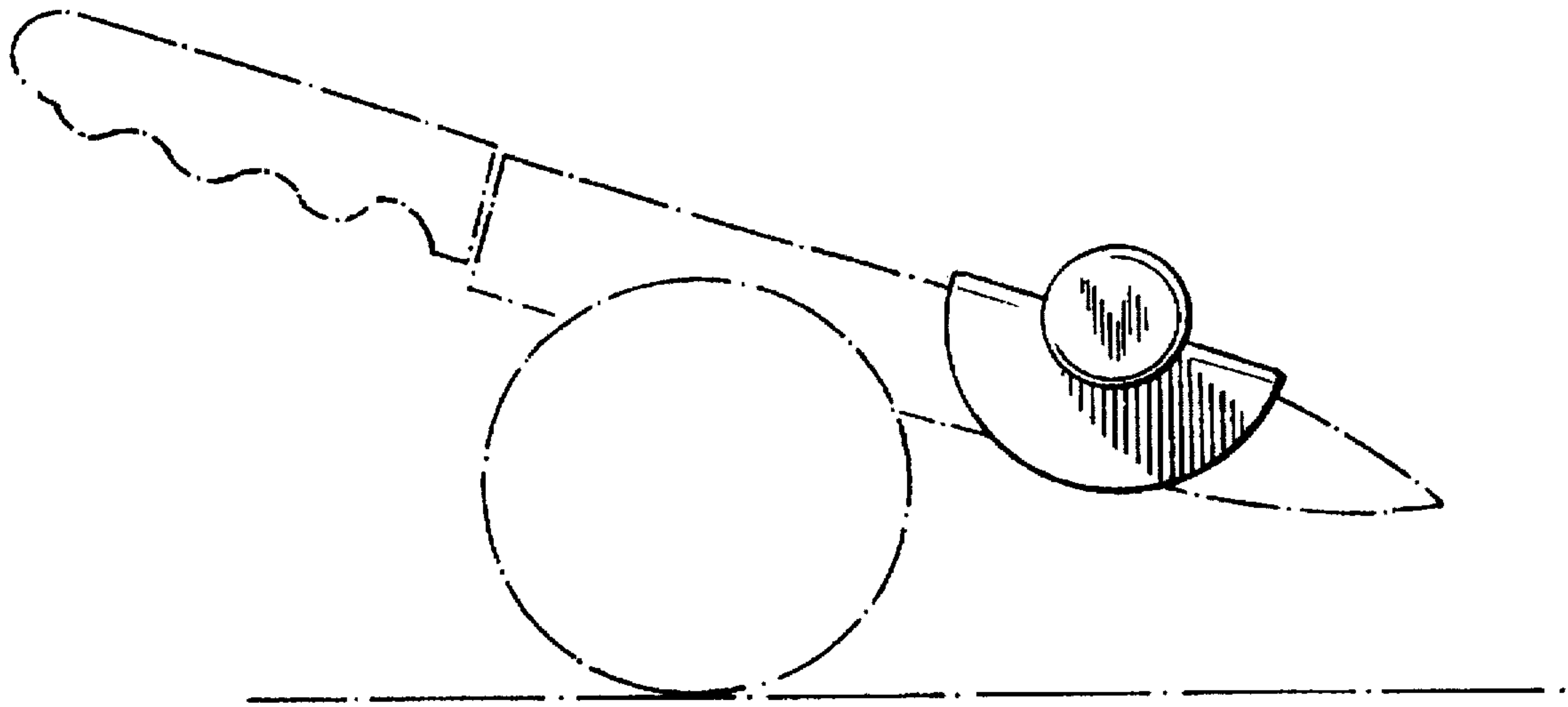


FIG. 6

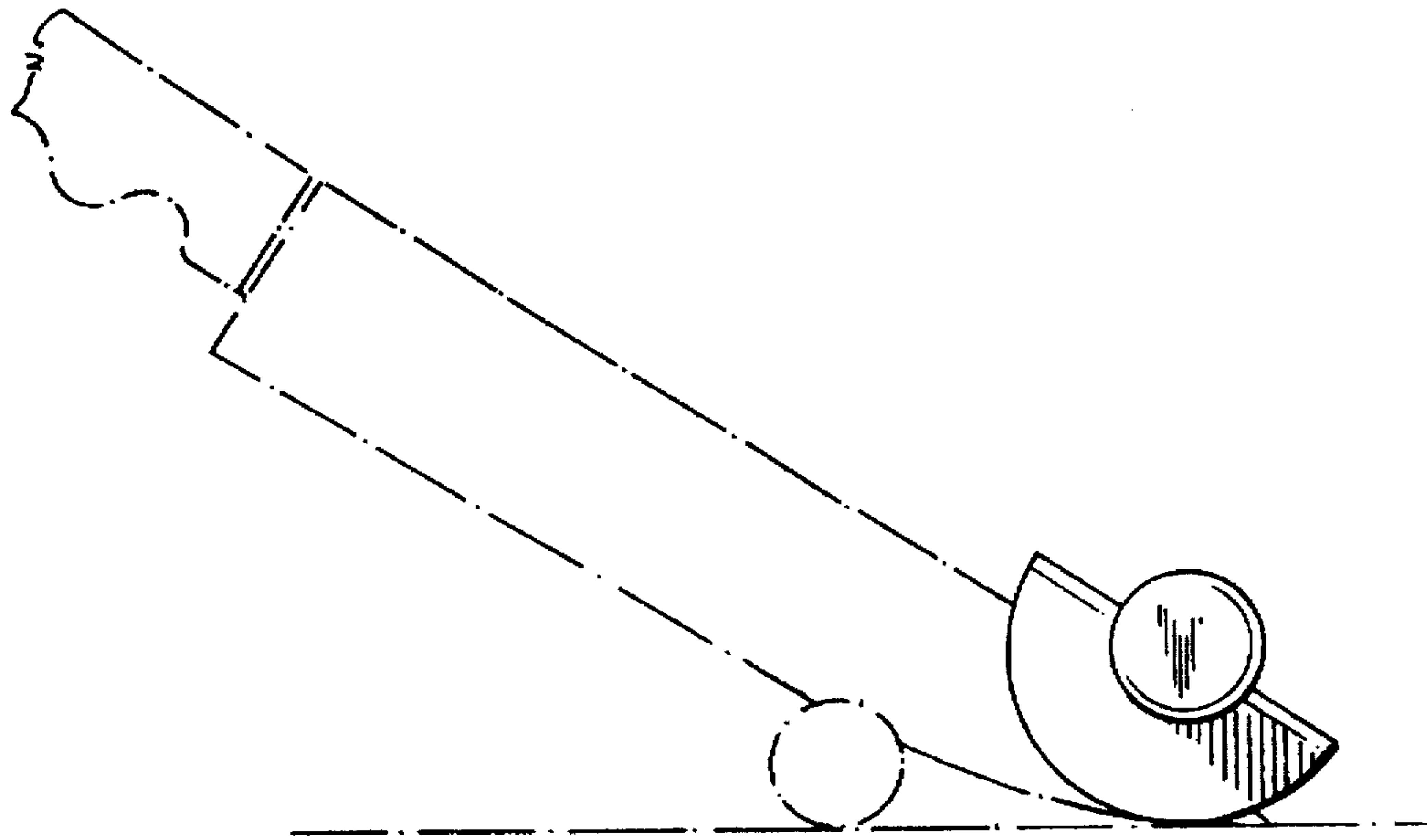


FIG. 7