



US00D391113S

United States Patent [19]
Marhefka

[11] **Patent Number:** **Des. 391,113**
[45] **Date of Patent:** ****Feb. 24, 1998**

[54] **COMPACT DISC HOLDER**
[75] **Inventor:** **Mathew D. Marhefka**, Southampton, Pa.
[73] **Assignee:** **Computer Expressions Incorporated**, Philadelphia, Pa.
[**] **Term:** **14 Years**
[21] **Appl. No.:** **61,784**
[22] **Filed:** **Oct. 30, 1996**
[51] **LOC (6) Cl.** **06-04**
[52] **U.S. Cl.** **D6/629; D6/468**
[58] **Field of Search** D6/407, 629, 630, D6/627, 628, 466-468, 476, 408; 211/40-42; 206/503, 509, 307, 307.1, 308.1, 309, 387.1, 387.15, 445, 454; 312/9.48, 9.53, 9.47, 9.1, 9.64

4,678,245 7/1987 Fouassier 206/308.1 X
4,889,244 12/1989 Hehn et al. 211/40 X
5,097,946 3/1992 Emrich 211/40 X
5,370,242 12/1994 Huang 211/40

Primary Examiner—Jeffrey Asch
Attorney, Agent, or Firm—Norman E. Lehrer

[57] **CLAIM**

The ornamental design for a “compact disc holder”, as shown and described.

DESCRIPTION

FIG. 1 is a top right side perspective view of a “compact disc holder” showing my new design, the left top side perspective view being identical thereto with compact discs shown in phantom;
FIG. 2 is a bottom left side perspective view;
FIG. 3 is a right side elevational view thereof, the left side elevational view being identical thereto;
FIG. 4 is a front elevational view thereof, the rear elevational view being identical thereto, and,
FIG. 5 is a top plan view thereof, the bottom plan view being identical thereto.

The broken line showings of compact discs in FIG. 1 are for illustrative purposes only and form no part of the claimed design.

[56] **References Cited**
U.S. PATENT DOCUMENTS

D. 307,977 5/1990 Egly et al. D6/629
D. 308,599 6/1990 Long et al. D6/629
D. 320,707 10/1991 Garfinkle D6/407
D. 365,243 12/1995 Kwa D6/629
2,256,995 9/1941 Andes 312/9.53
4,453,785 6/1984 Smith 312/9.48

1 Claim, 2 Drawing Sheets

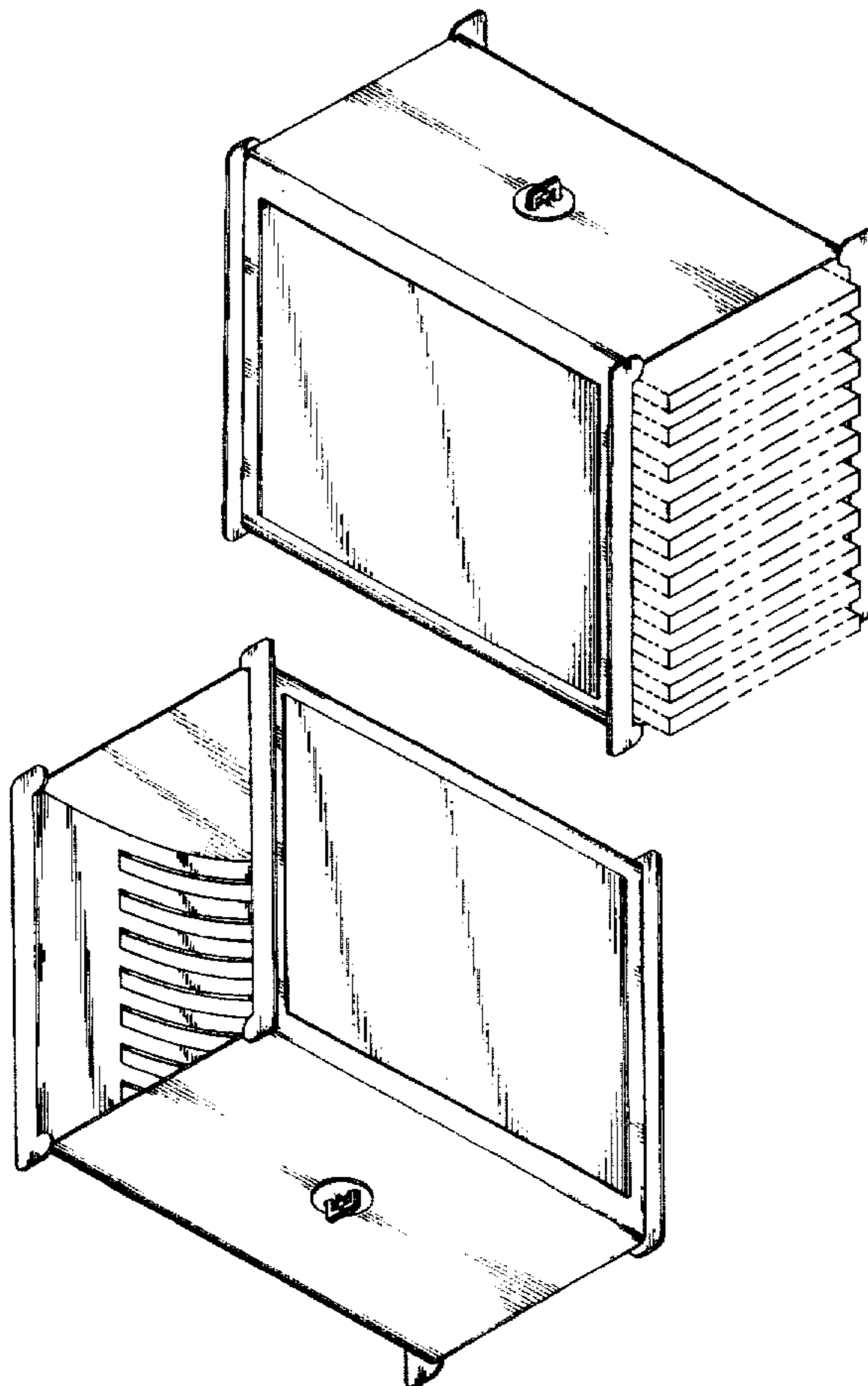


Fig. 1

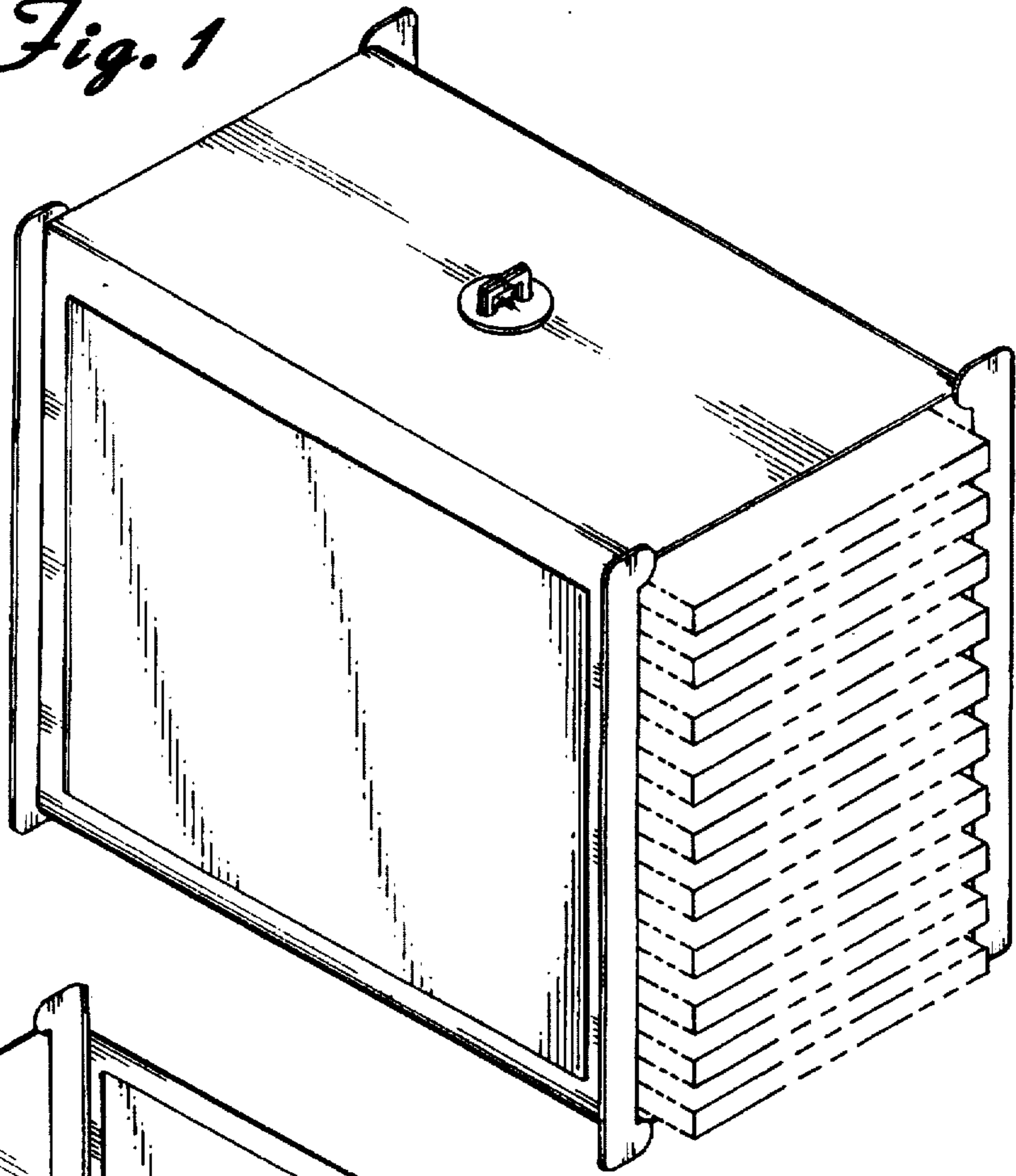


Fig. 2

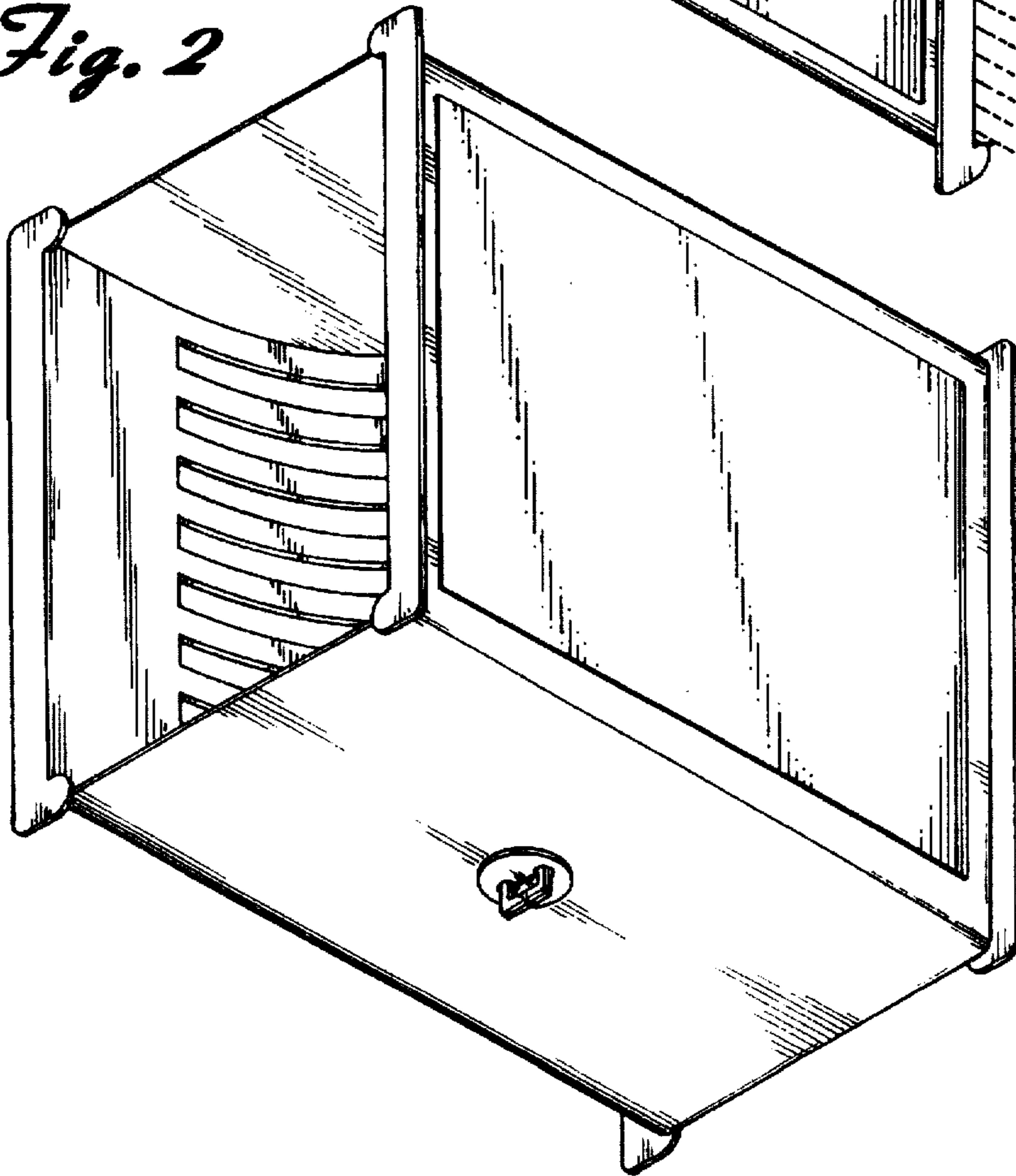


Fig. 3

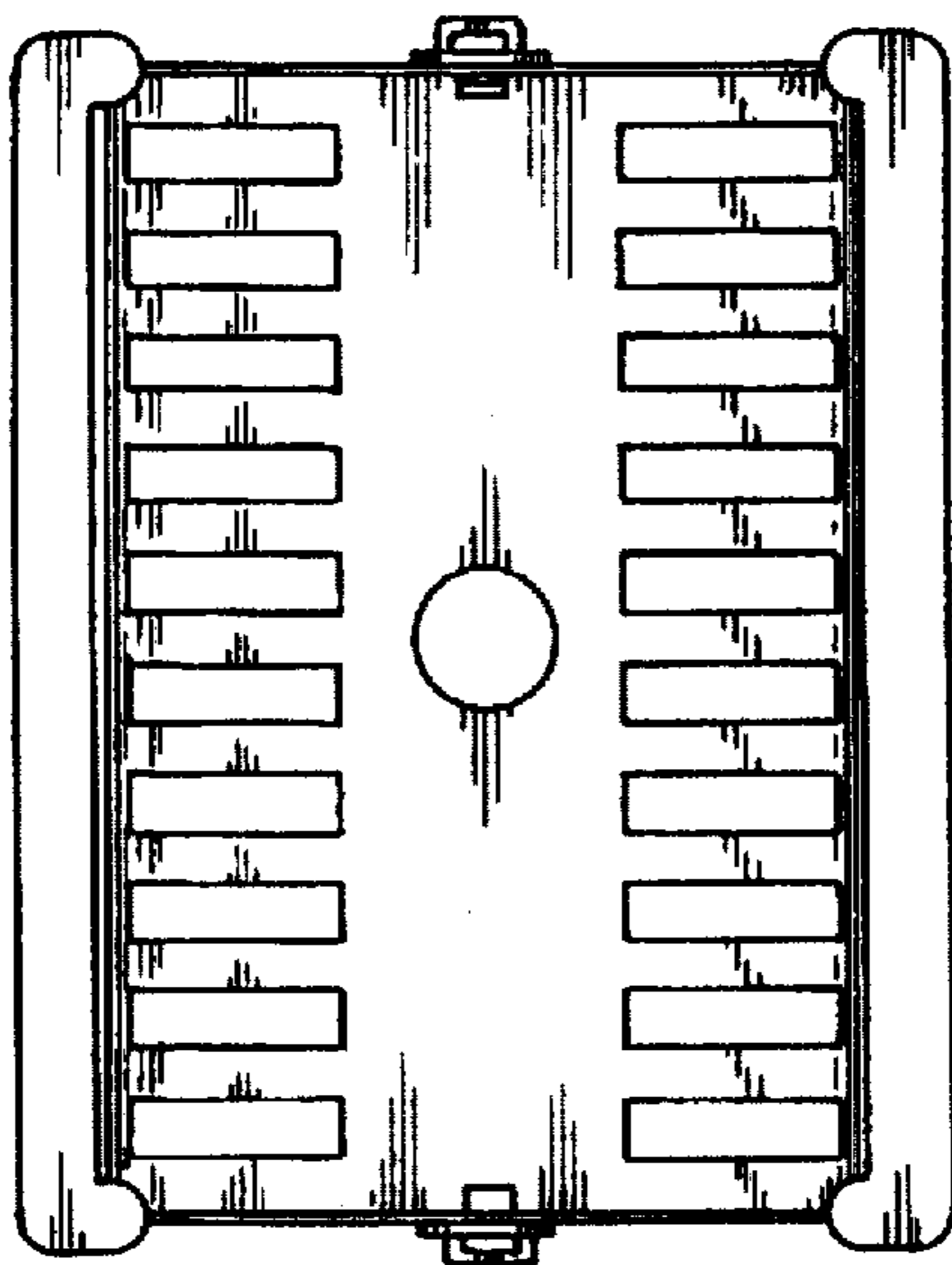


Fig. 4

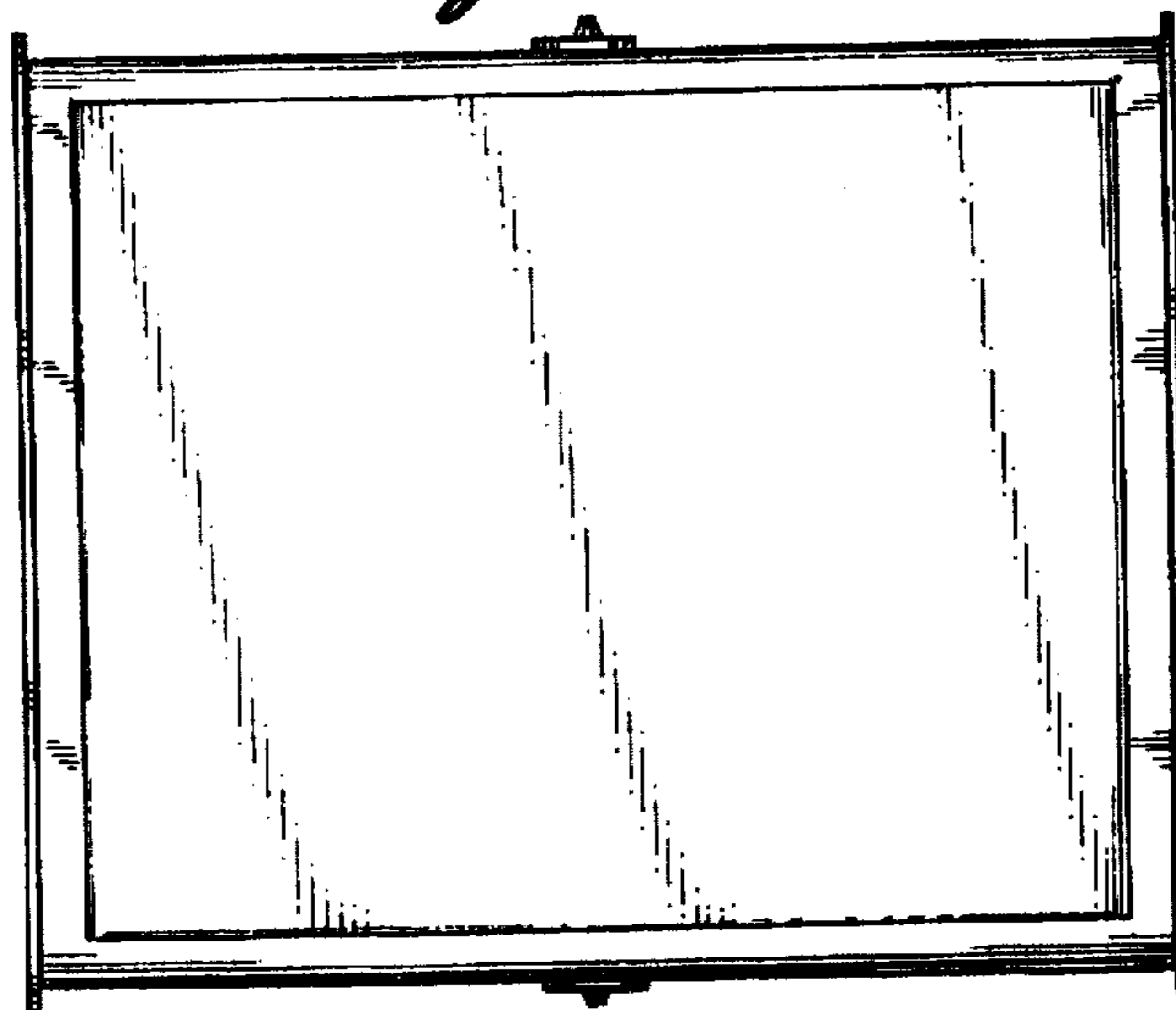


Fig. 5

