



US00D391107S

United States Patent [19]

Zimmer

[11] Patent Number: Des. 391,107

[45] Date of Patent: **Feb. 24, 1998

[54] ROD DISPLAY RACK UNIT

[75] Inventor: Michael A. Zimmer, Auburn, Wash.

[73] Assignee: The Danielson Company, Auburn, Wash.

[**] Term: 14 Years

[21] Appl. No.: 64,893

[22] Filed: Jan. 14, 1997

[51] LOC (6) Cl. 06-04

[52] U.S. Cl. D6/567

[58] Field of Search D6/567, 553, 552, D6/574, 512, 524; 206/349, 372, 376, 364, 377, 378, 379, 70.8; 211/60.1, 13, 59.1, 74, 70.6, 86, 567; 312/209

[56] References Cited

U.S. PATENT DOCUMENTS

D. 188,221	6/1960	Maro	D6/567	X
D. 340,610	10/1993	Hubbard	D6/567	
2,943,745	7/1960	Bjornson	D6/567	X
3,421,632	1/1969	Wood	211/70.8	
4,411,868	10/1983	Noack	211/60.1	X
5,025,934	6/1991	Vogel	211/60.1	X
5,487,475	1/1996	Khee	211/70.8	

OTHER PUBLICATIONS

U.S. PTO Official Gazette, Mar. 27, 1984, p. 1831, Lance K. Halverson, U.S. Design Patent 273,162 for a Rack or Similar Article.

Primary Examiner—Pamela Burgess

Attorney, Agent, or Firm—Graybeal Jackson Haley LLP

[57] CLAIM

The ornamental design for a rod display rack unit, as shown and described.

DESCRIPTION

FIG. 1 is a perspective view from an upper aspect of the rod display rack unit showing my new design, the broken line disclosure of a wall is shown for illustrative purposes only forming no part of the claimed design;

FIG. 2 is a top plan view of the upper portion thereof;

FIG. 3 is a side elevational view of the upper portion thereof;

FIG. 4 is a bottom plan view of the upper portion thereof;

FIG. 5 is an outer end view of the upper portion thereof;

FIG. 6 is an inner end view of the upper portion thereof;

FIG. 7 is a top plan view of the lower portion thereof;

FIG. 8 is a side elevational view of the lower portion thereof;

FIG. 9 is a bottom plan view of the lower portion thereof;

FIG. 10 is an outer end view of the lower portion thereof;

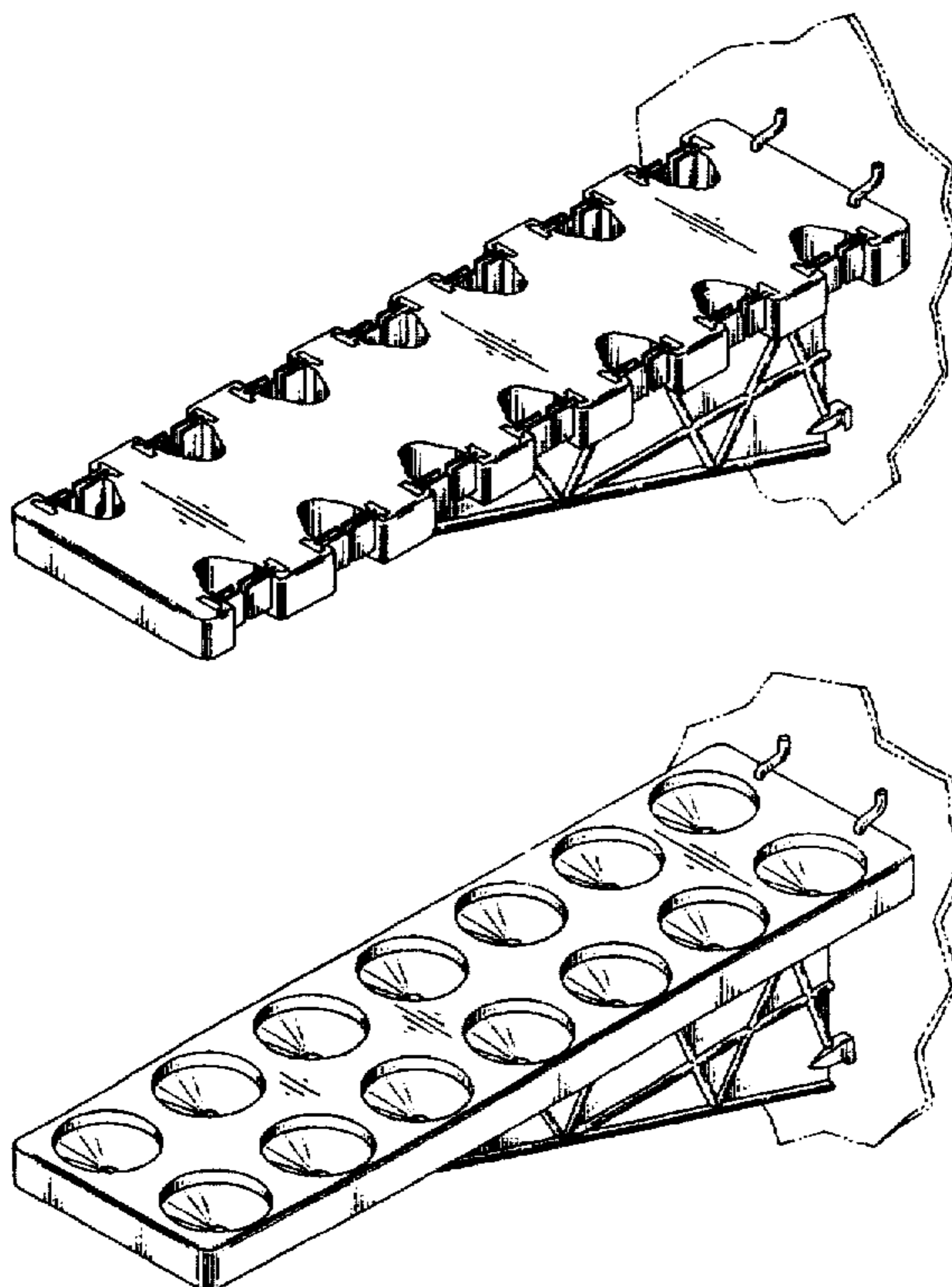
FIG. 11 is an inner end view of the lower portion thereof;

FIG. 12 is a top plan view of one of the vertically oriented support frames forming part of both the upper and lower portions of the unit, it being understood that said support frame is shown separately for clarity of illustration only; and,

FIG. 13 is a side elevational view of the support shown in FIG. 12.

The reverse sides of the upper portion of the rod display rack unit shown in FIG. 3 and the reverse side of the lower portion of the rack shown in FIG. 8, as well as the reverse side of the support shown in FIG. 3 are respectively the mirror images of the rack portions shown in these figures.

1 Claim, 4 Drawing Sheets



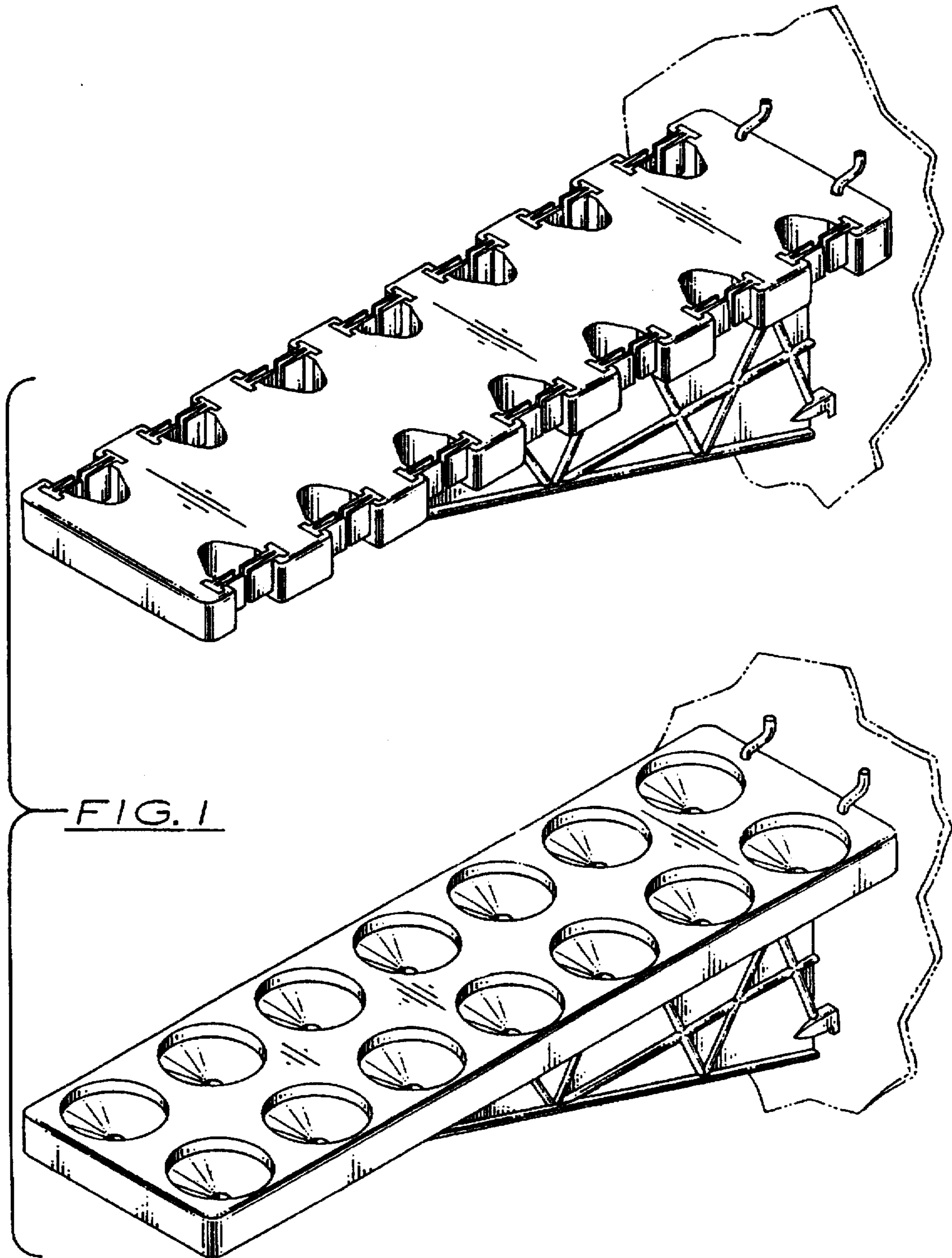


FIG. 1

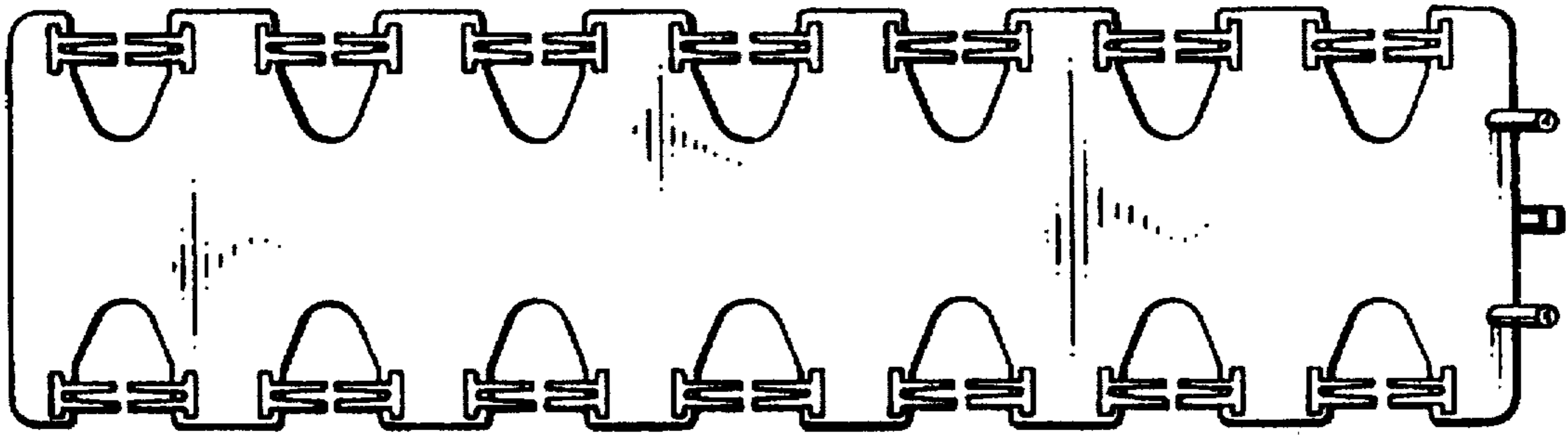


FIG. 2

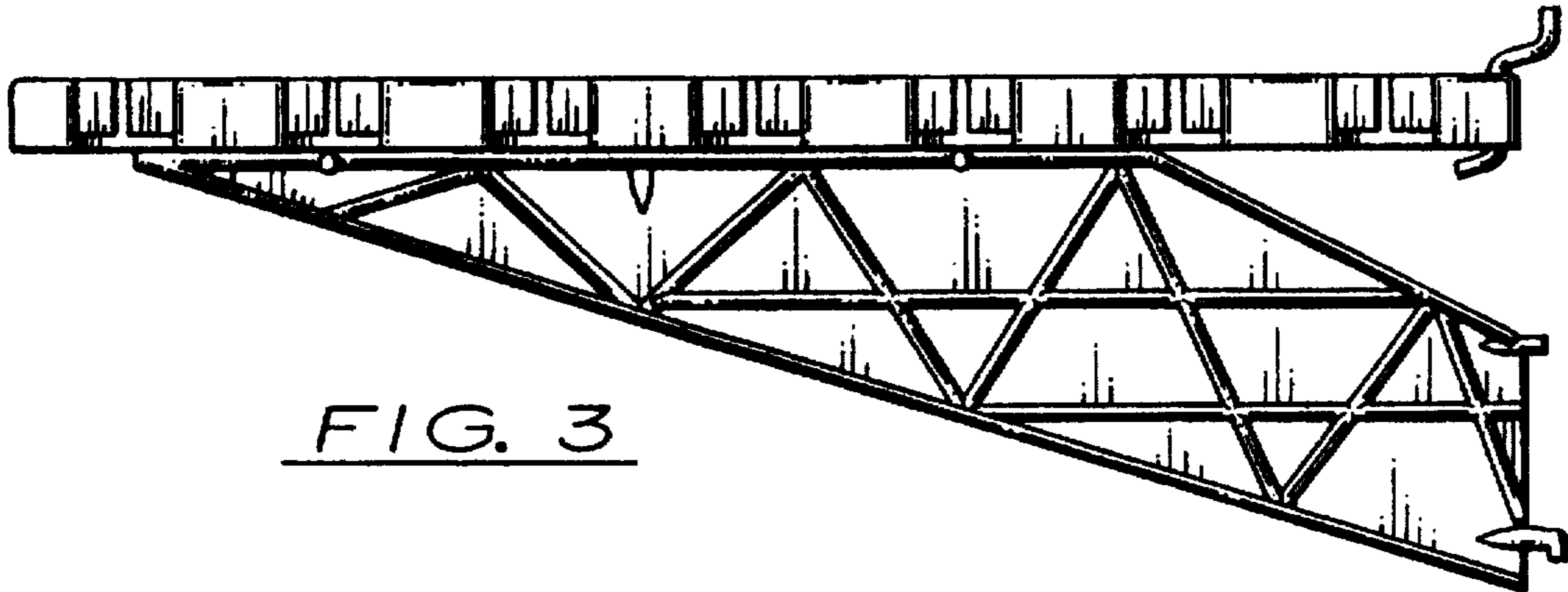


FIG. 3

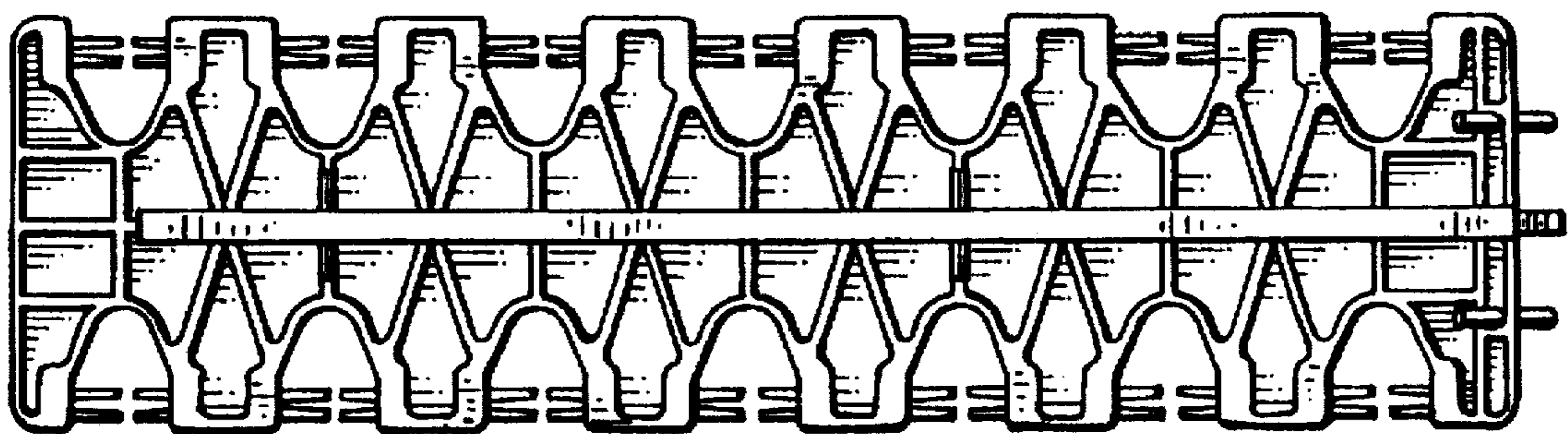


FIG. 4

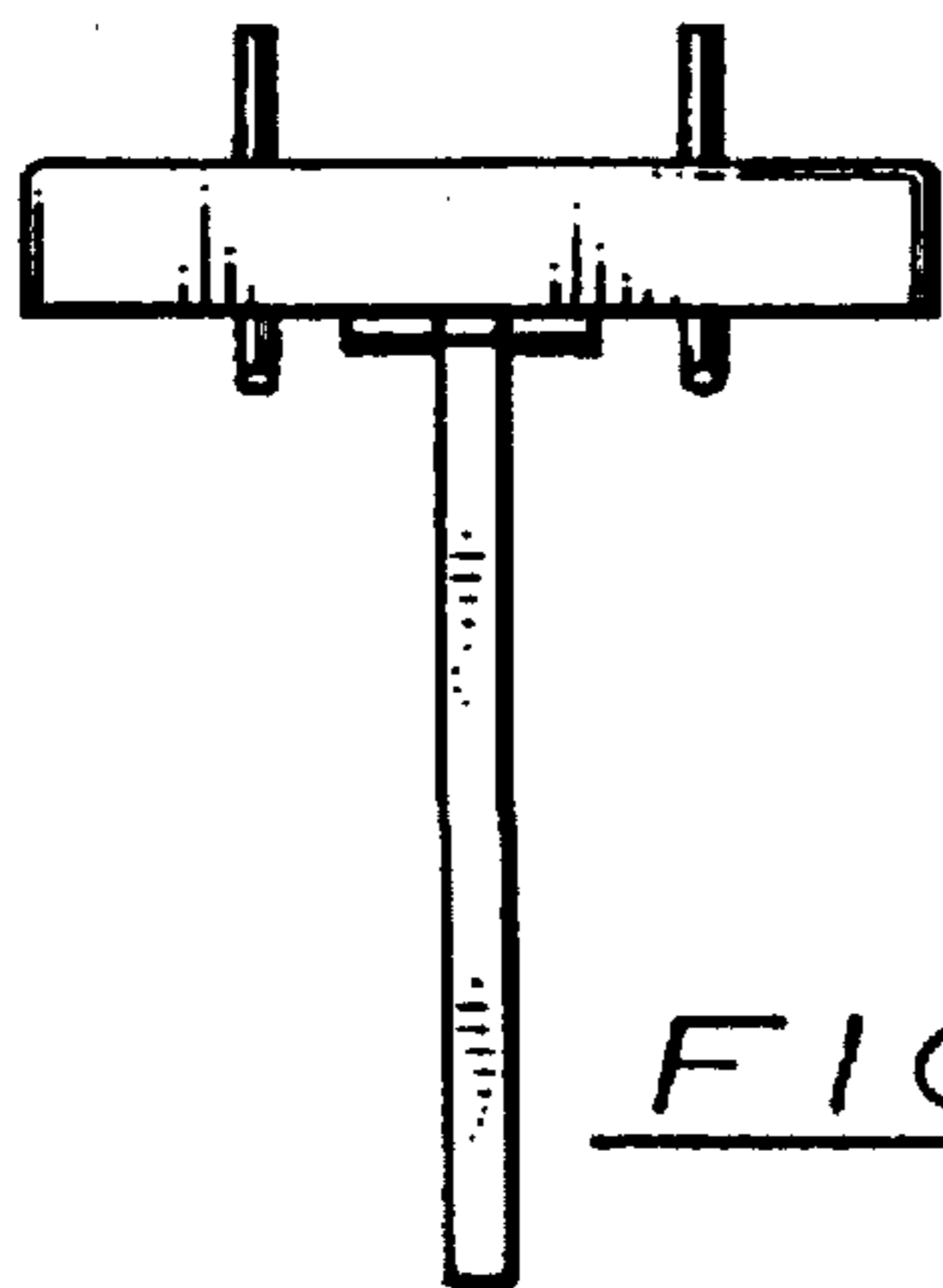


FIG. 5

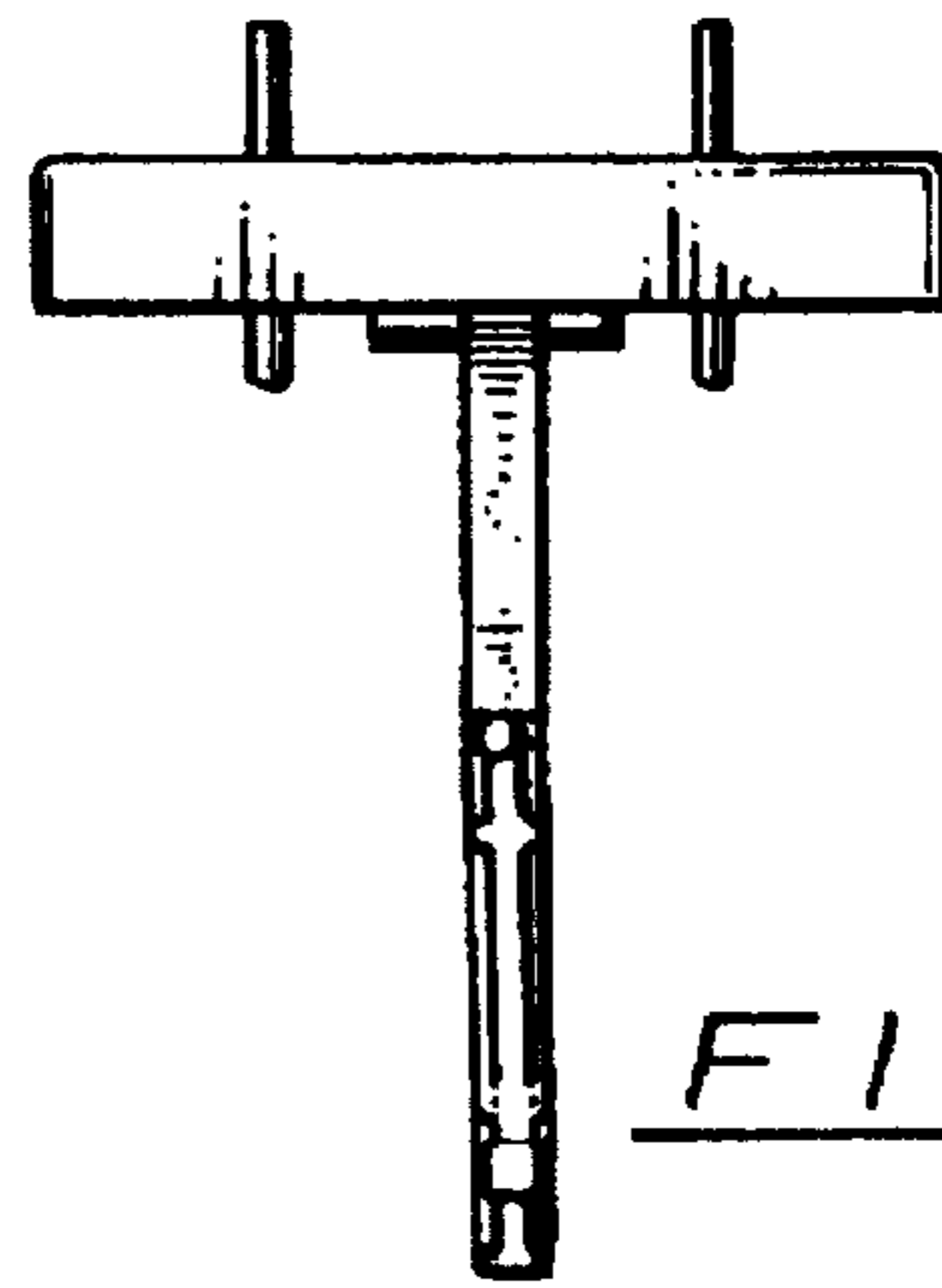


FIG. 6

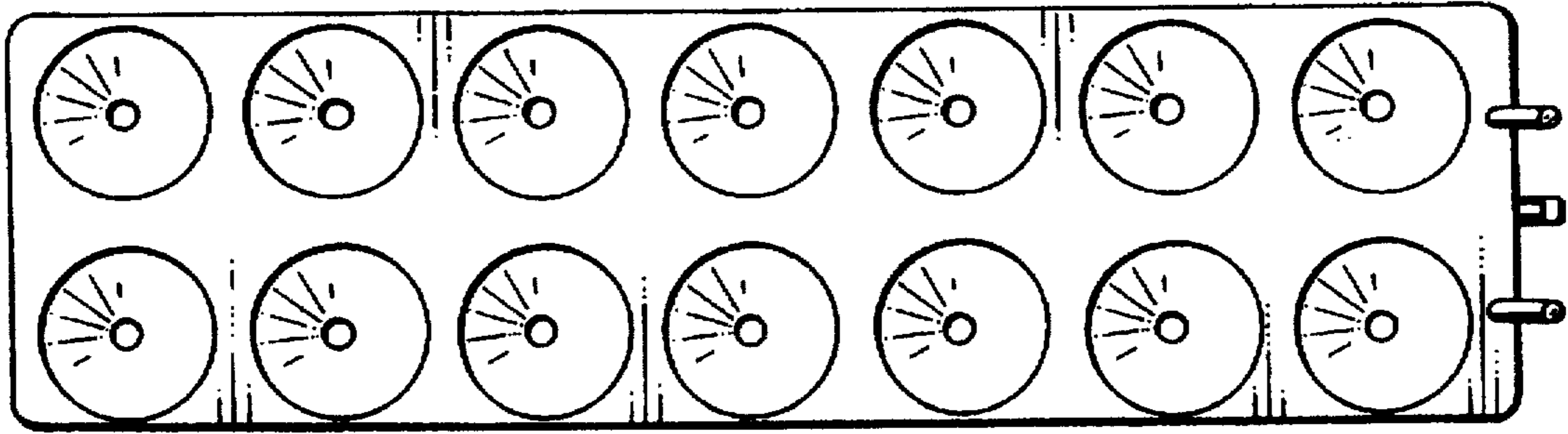


FIG. 7

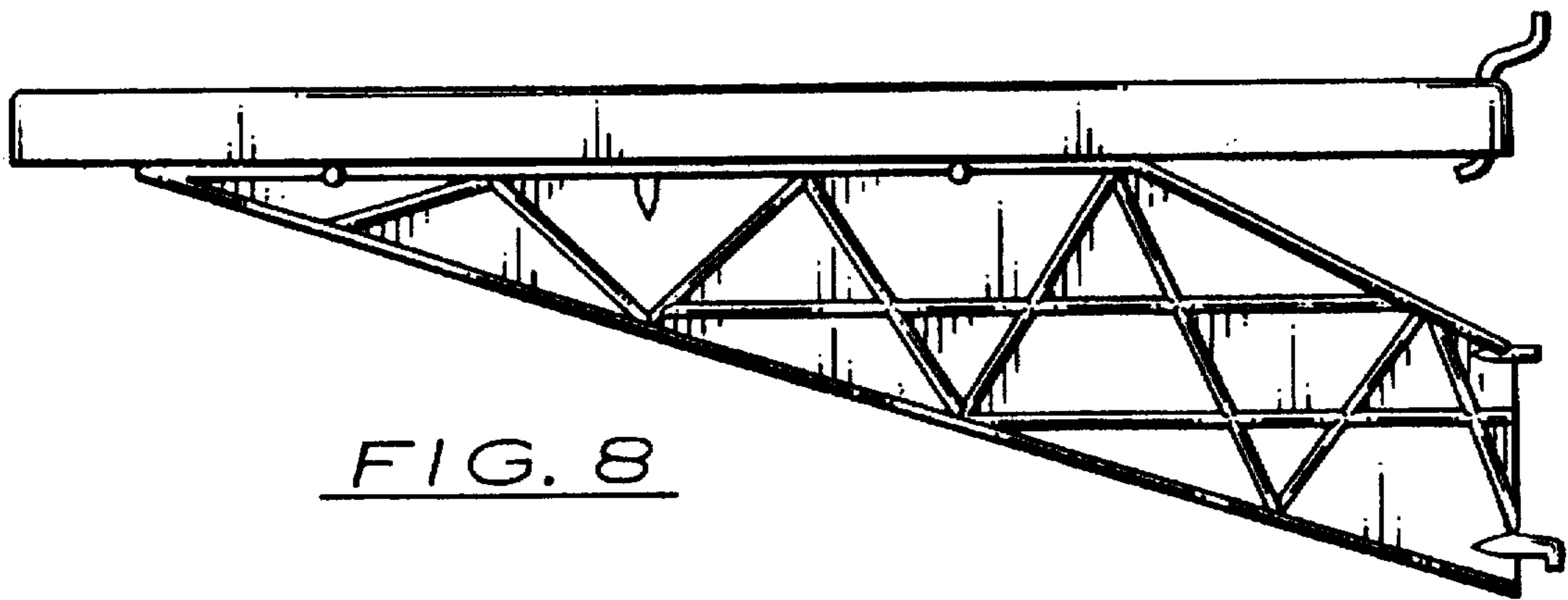


FIG. 8

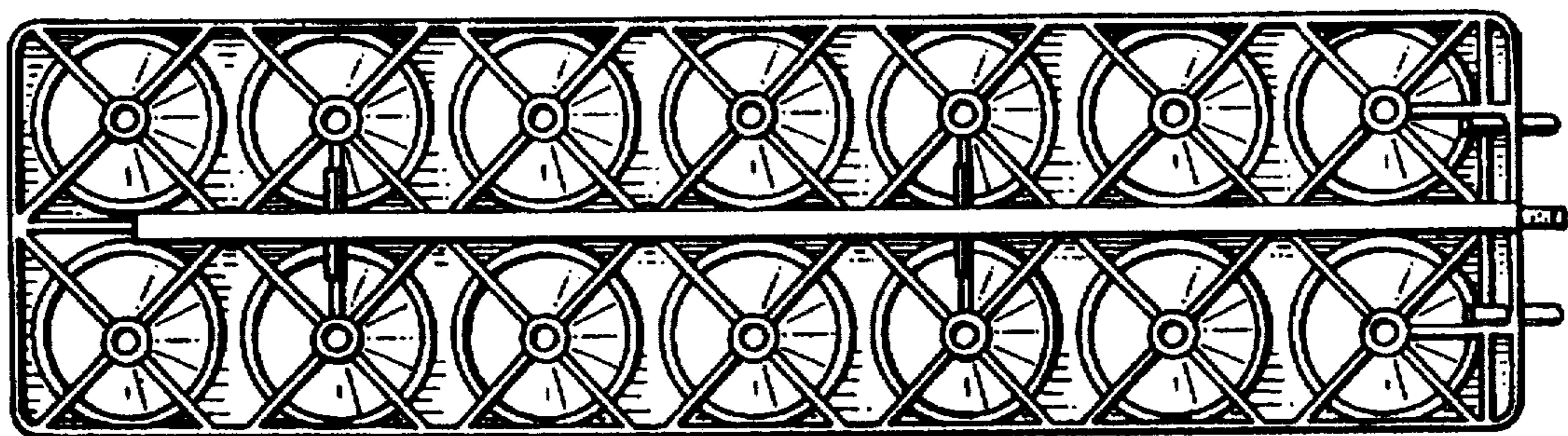


FIG. 9

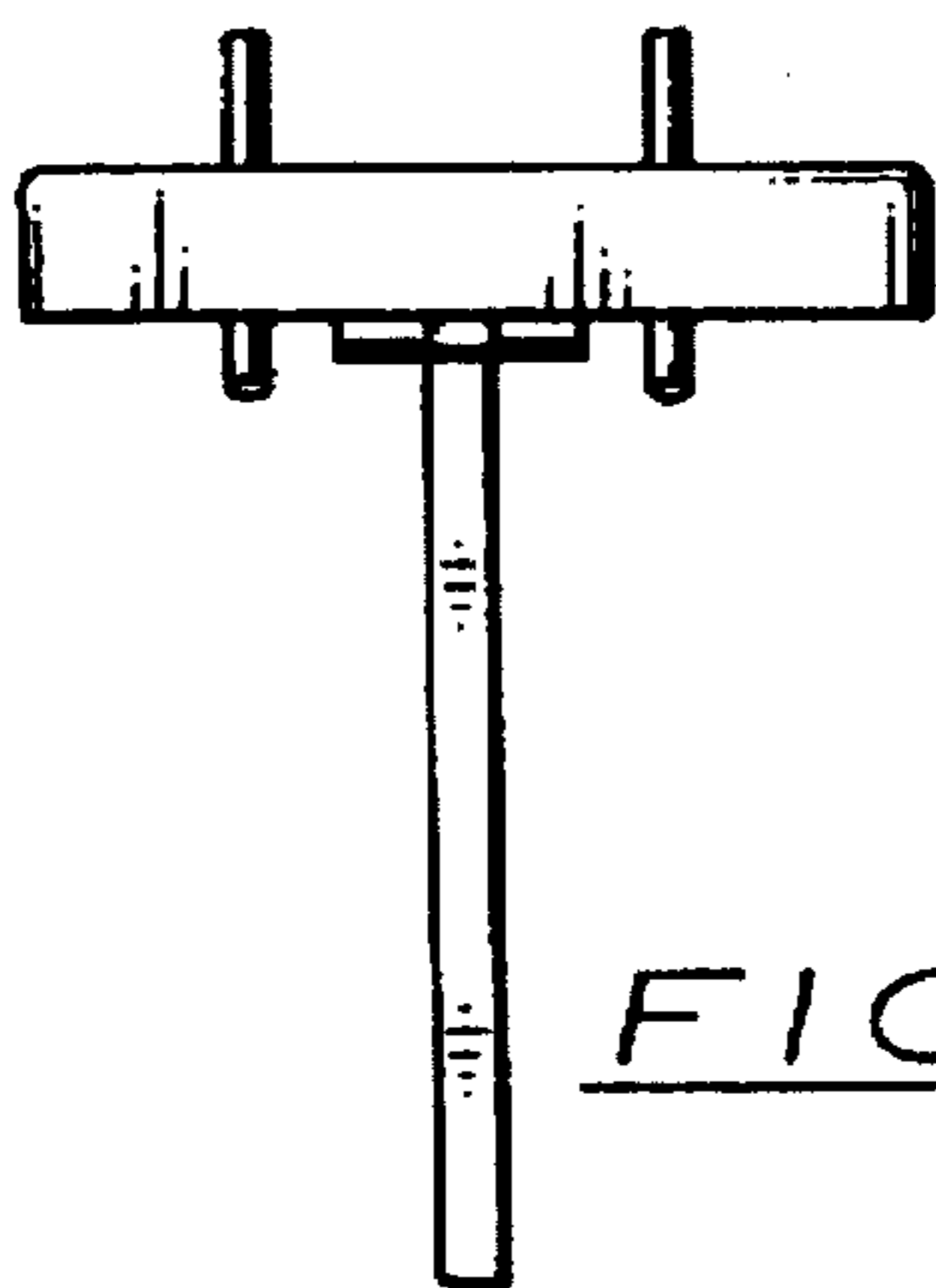


FIG. 10

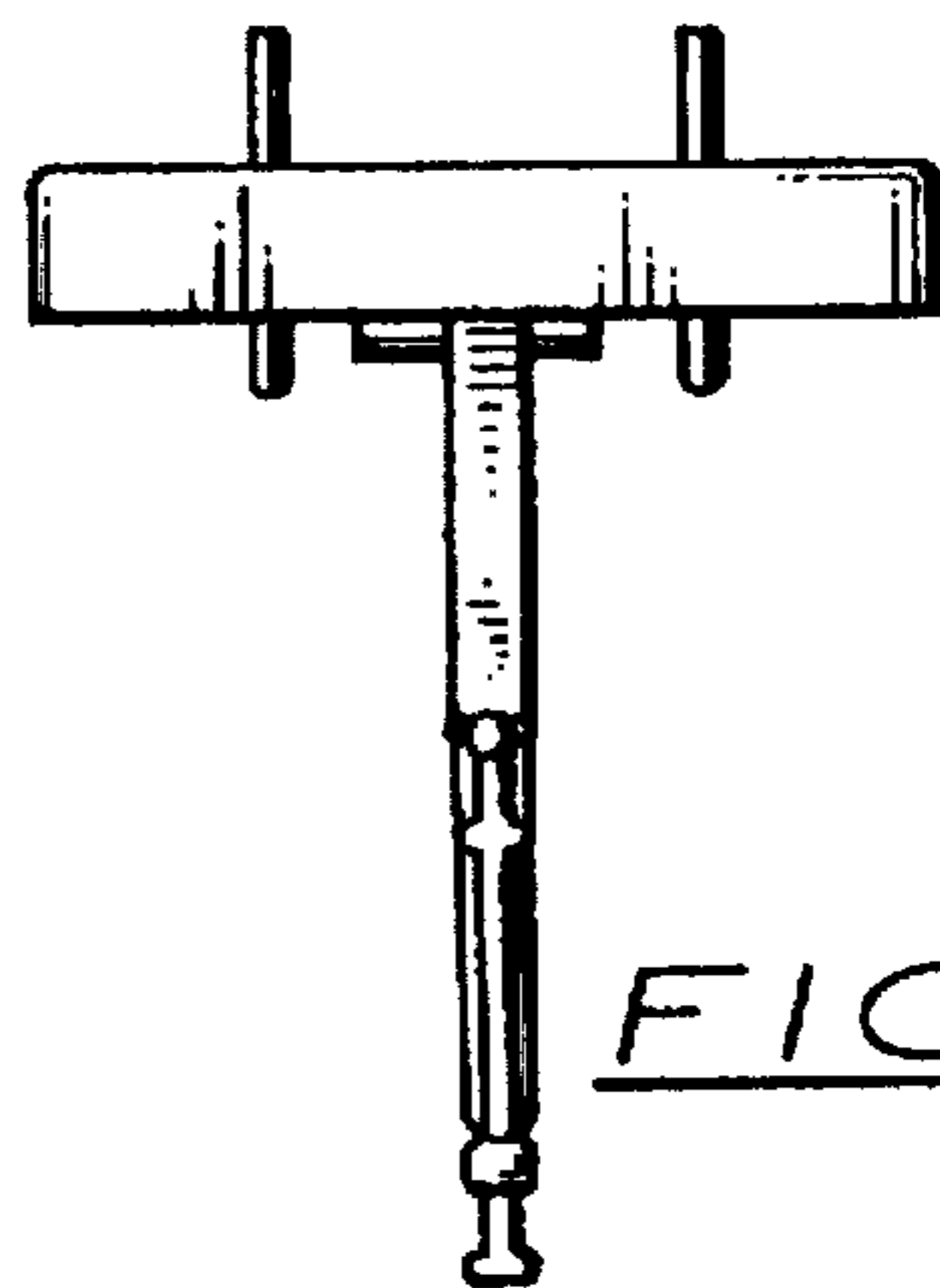


FIG. 11



FIG. 12

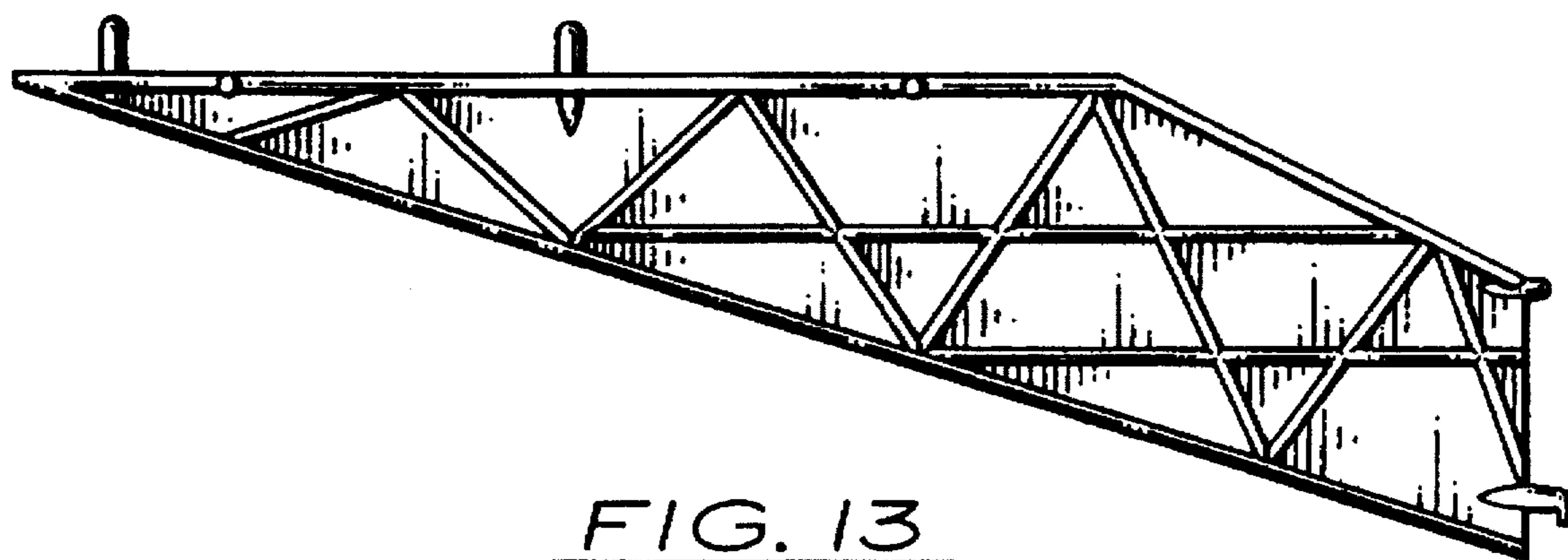


FIG. 13