



US00D391098S

# United States Patent [19]

Northrop

[11] Patent Number: **Des. 391,098**

[45] Date of Patent: **\*\*Feb. 24, 1998**

[54] **REMOTE CONTROL ORGANIZER**

[76] Inventor: **Thomas J. Northrop**, TCK Creations  
P.O. Box 6722, Chandler, Ariz.  
85246-6722

[\*\*] Term: **14 Years**

[21] Appl. No.: **59,062**

[22] Filed: **Sep. 3, 1996**

[51] **LOC (6) Cl.** ..... **06-04**

[52] **U.S. Cl.** ..... **D6/466**

[58] **Field of Search** ..... D6/449, 466, 467,  
D6/406, 477-479; 211/26.1; 312/9.1; 248/146,  
152, 174, 176.1, 918; D14/218; D3/218;  
220/23.2, 23.83; 206/557, 564, 320, 561,  
576

4,838,505	6/1989	Lowe	248/176
4,848,609	7/1989	Meghnat	211/13
4,852,746	8/1989	Wells	211/13
4,856,658	8/1989	Novak	211/13
4,893,222	1/1990	Mintzer	362/109
4,911,389	3/1990	Self	248/146
4,991,817	2/1991	Vonkleist	248/676
4,991,892	2/1991	Burrell	248/205.2
5,042,670	8/1991	Timberlake	211/13
5,125,516	6/1992	McKenna	248/205.2
5,127,615	7/1992	Jones	248/172
5,192,042	3/1993	Worting et al.	248/176
5,244,173	9/1993	Kulyk	248/176
5,269,484	12/1993	Jones	248/172
5,316,249	5/1994	Anderson	248/146
5,370,241	12/1994	Silvers	211/13
5,419,263	5/1995	Mills	108/6

*Primary Examiner*—James M. Gandy  
*Assistant Examiner*—Linda Brooks

[56] **References Cited**

**U.S. PATENT DOCUMENTS**

D. 278,102	3/1985	Wagner, Jr.	D6/466
D. 281,657	12/1985	Roczey	D6/406
D. 362,764	10/1995	Dumatol, Jr.	D6/449
D. 363,619	10/1995	Kamaze	D6/449
D. 376,497	12/1996	Elrod et al.	D6/449
4,478,382	10/1984	Carrier	248/185
4,660,792	4/1987	Rogalski	248/174
4,686,745	8/1987	Butler	24/17 B
4,709,412	11/1987	Seymour et al.	455/603
4,712,693	12/1987	Striplin	211/164
4,739,887	4/1988	Beach	211/13
4,739,897	4/1988	Butler	220/22
4,815,683	3/1989	Ferrante	248/205.2

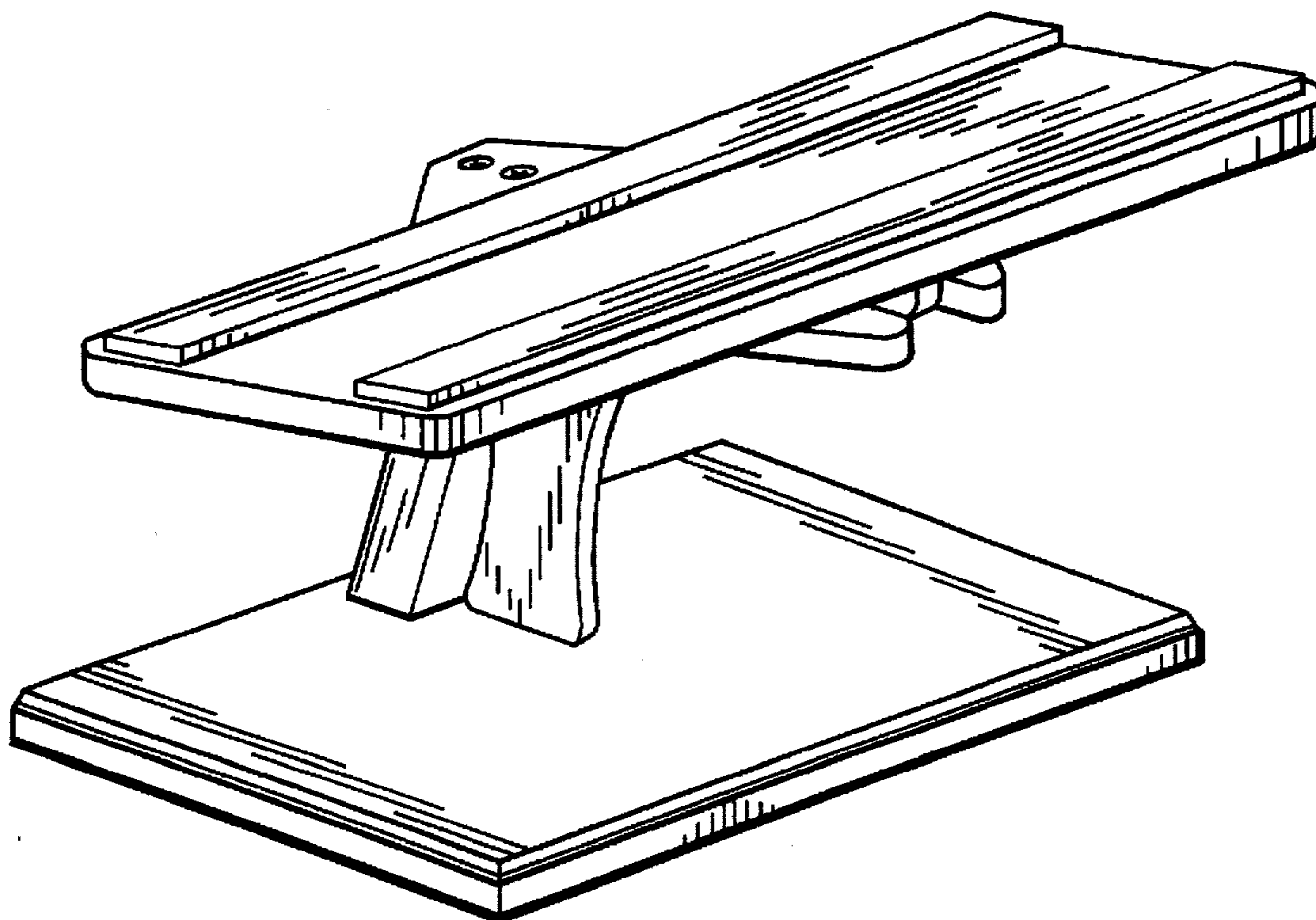
[57] **CLAIM**

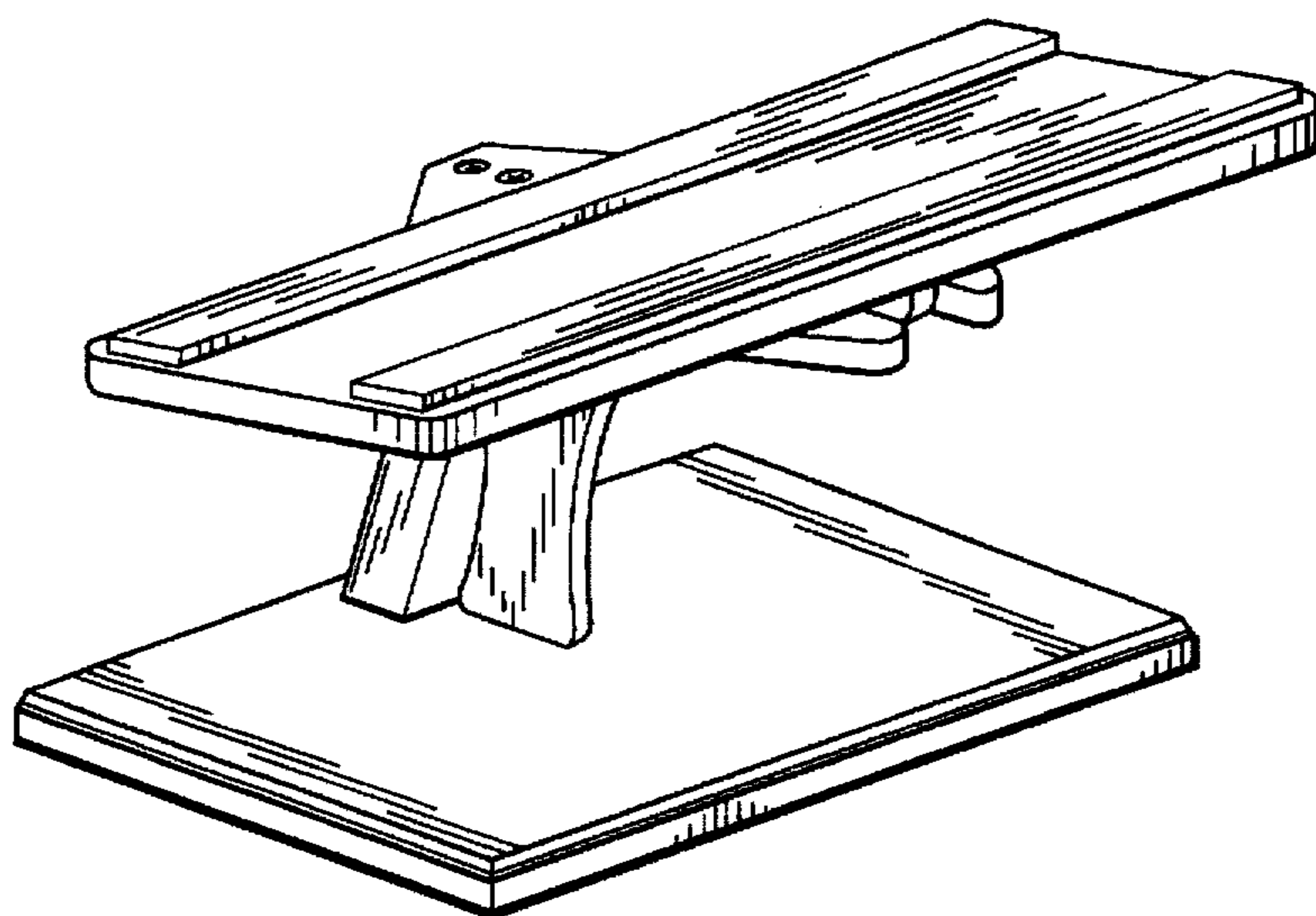
The ornamental design for a remote control organizer.

**DESCRIPTION**

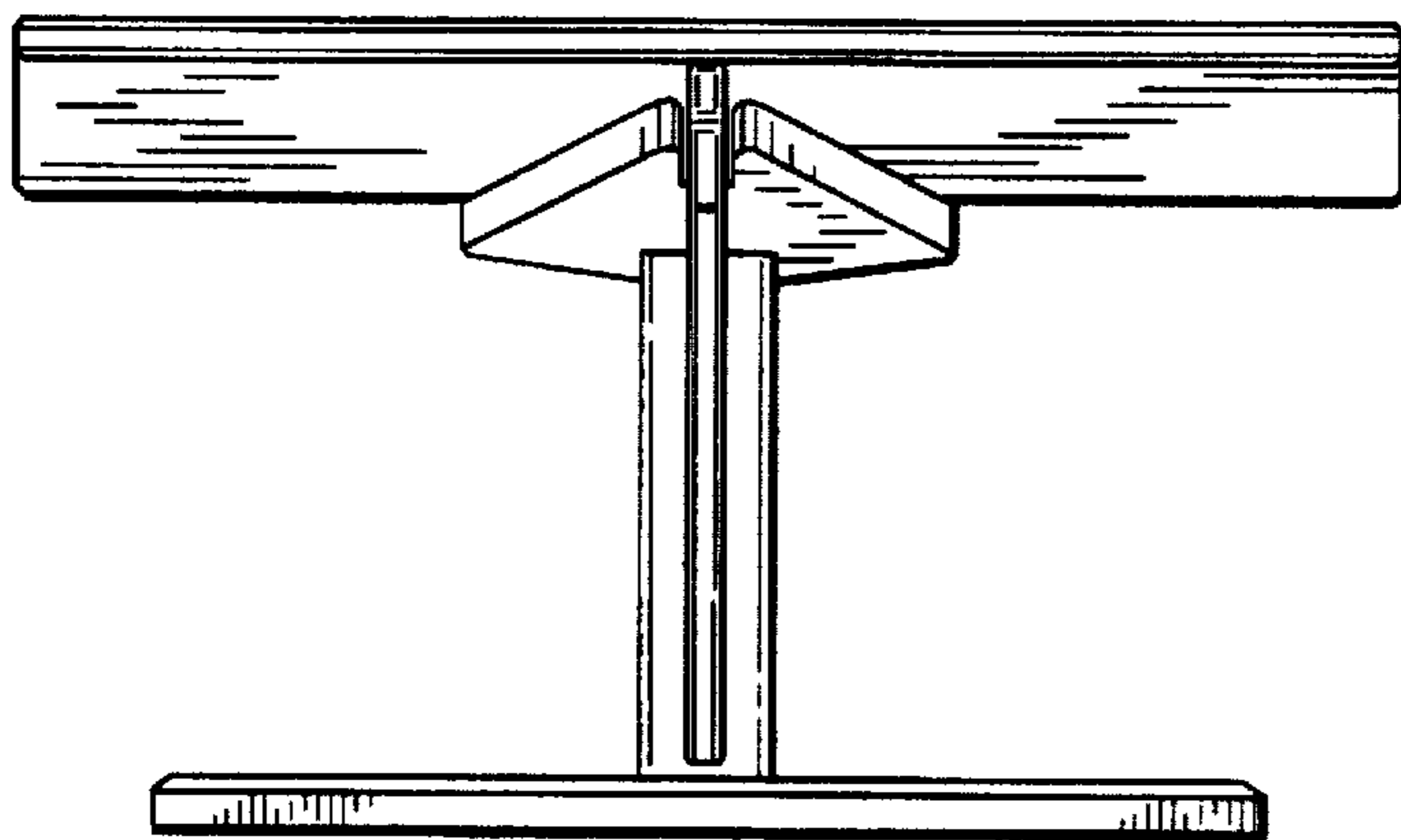
FIG. 1 is a perspective view of a remote control organizer showing my new design;  
FIG. 2 is a front, elevational view;  
FIG. 3 is a left side view, the right side view being a mirror image thereof;  
FIG. 4 is a rear view;  
FIG. 5 is a top view; and,  
FIG. 6 is a bottom view.

**1 Claim, 2 Drawing Sheets**

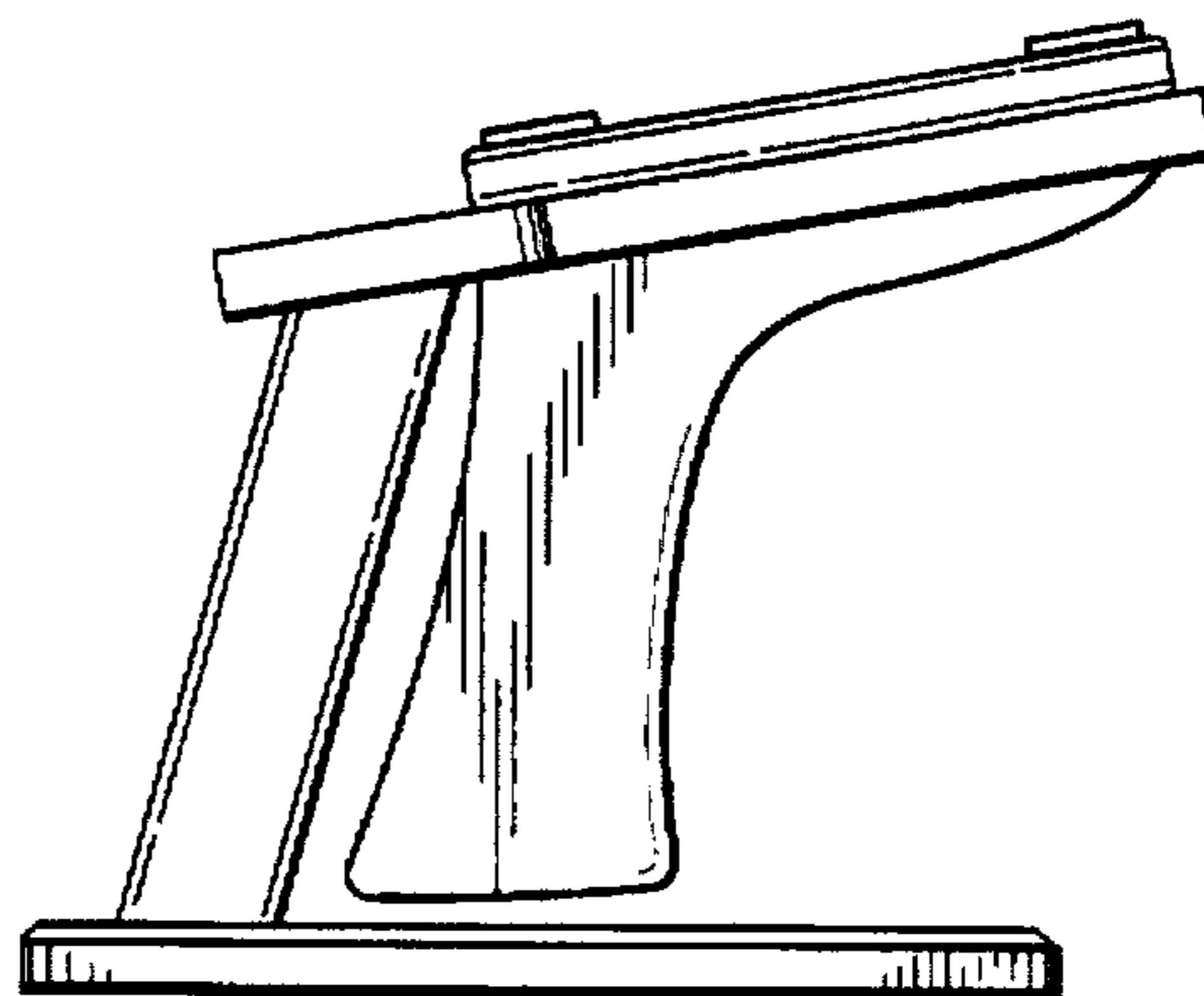




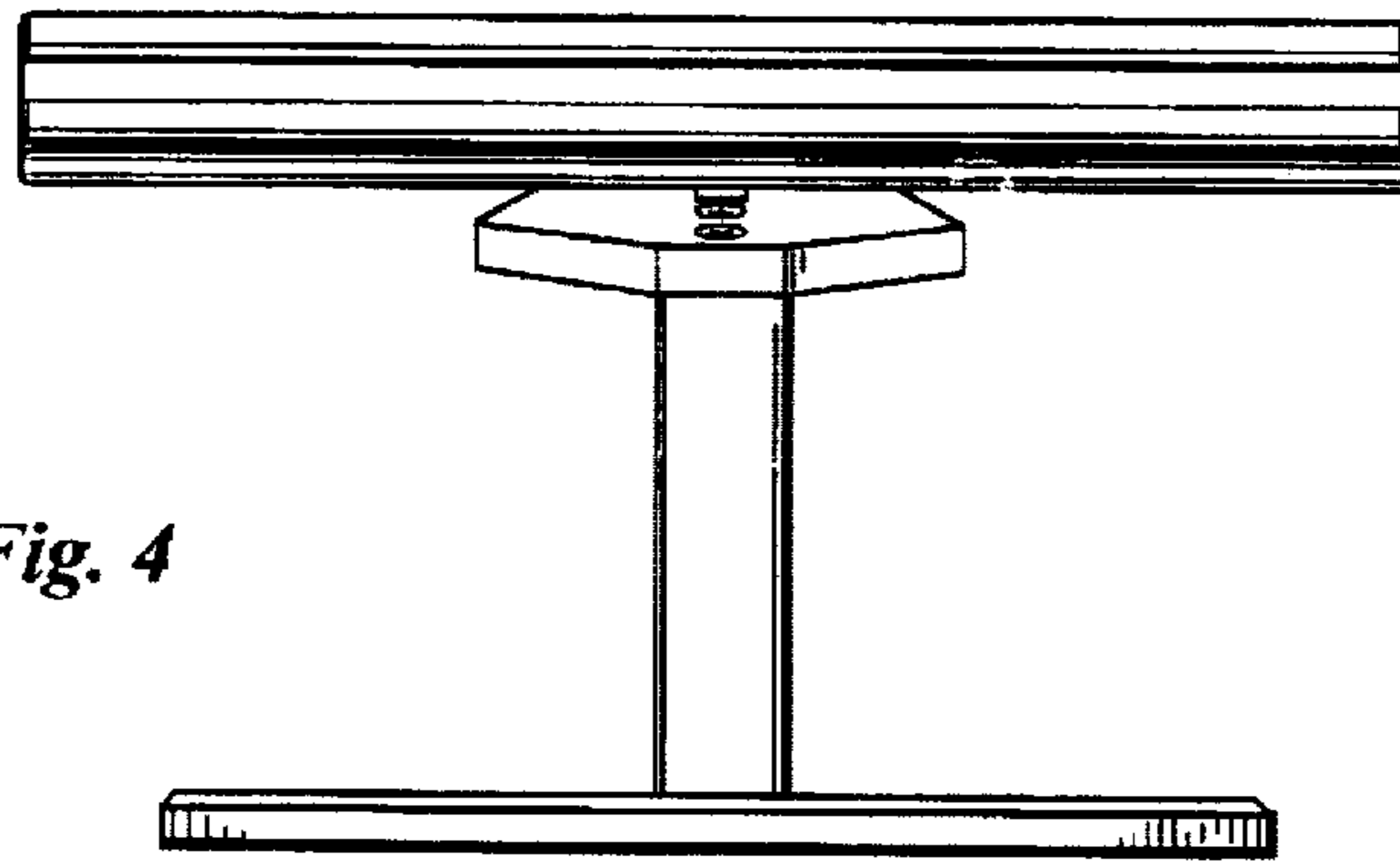
*Fig. 1*



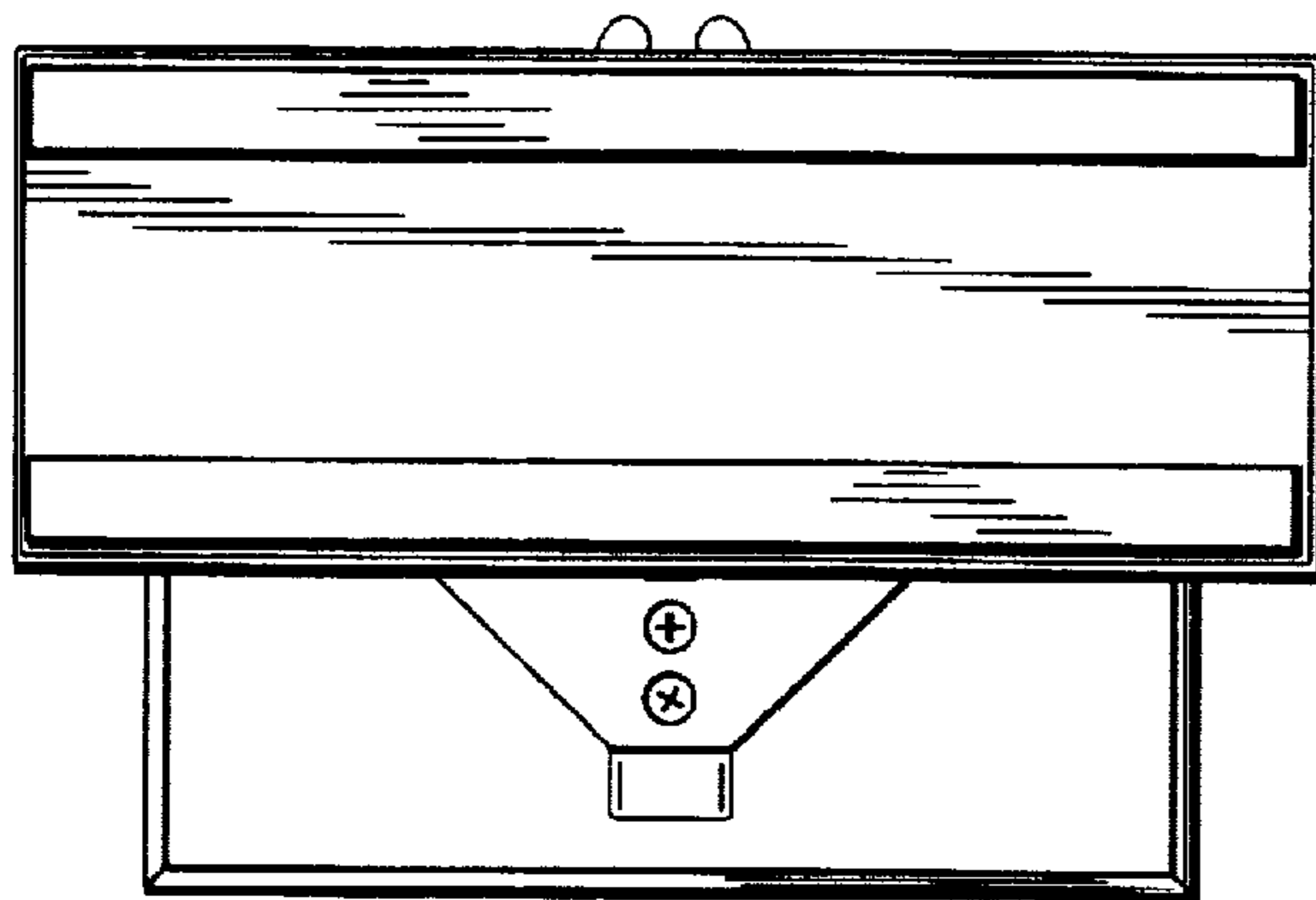
*Fig. 2*



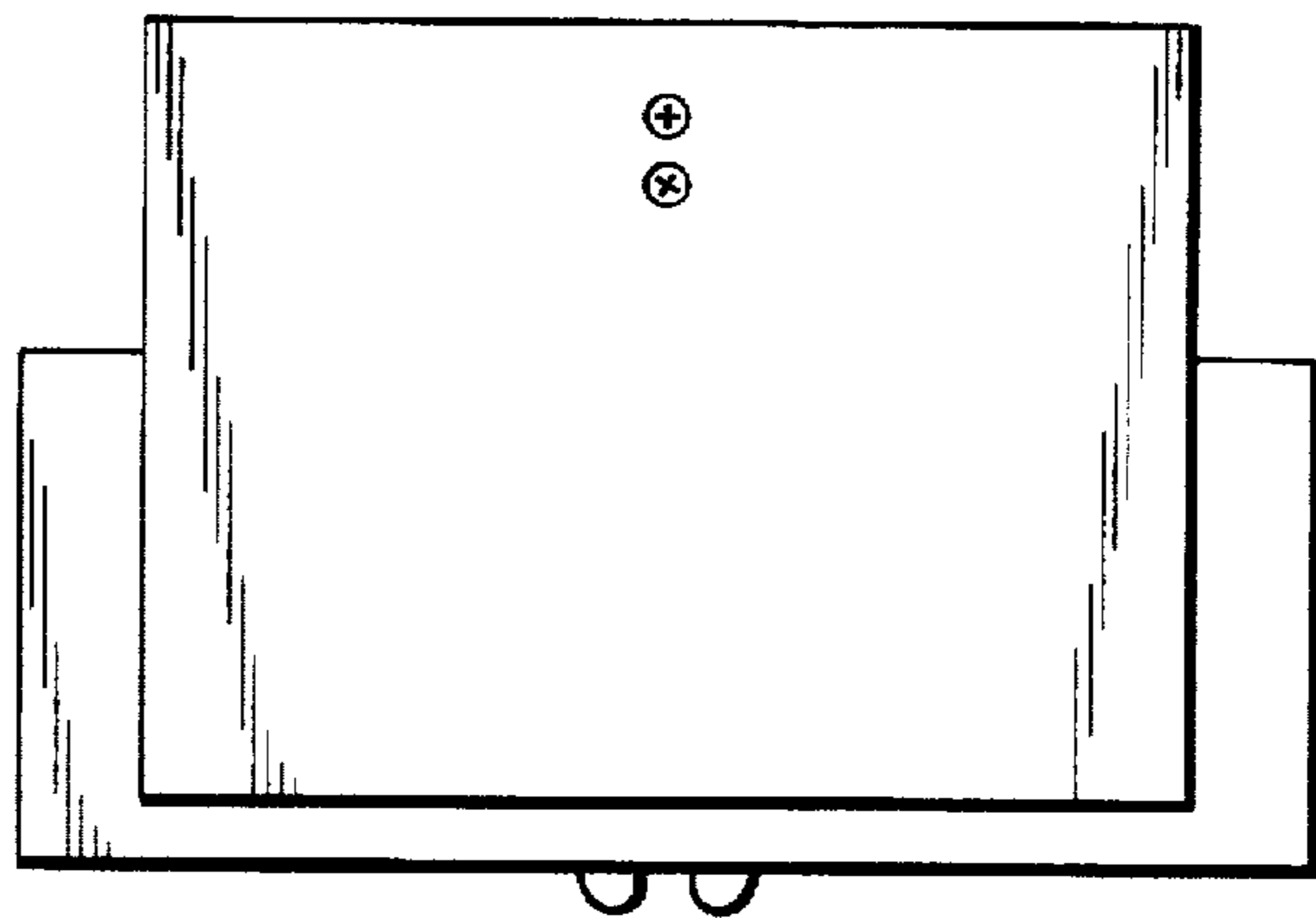
*Fig. 3*



*Fig. 4*



*Fig. 5*



*Fig. 6*