



US00D391088S

United States Patent [19]

[11] Patent Number: **Des. 391,088**

Sacco et al.

[45] Date of Patent: ****Feb. 24, 1998**

[54] VEHICLE SEAT ASSEMBLY

[75] Inventors: **Bruno Sacco**, Sindelfingen; **Peter Pfeiffer**, Böblingen; **Michael Mauer**, Ettlingen; **Hans-Peter Wunderlich**, Stuttgart, all of Germany

[73] Assignee: **Mercedes-Benz AG**, Stuttgart, Germany

[**] Term: **14 Years**

[21] Appl. No.: **66,482**

[22] Filed: **Feb. 7, 1997**

[30] Foreign Application Priority Data

Sep. 6, 1996 [DE] Germany M 9607 641.0

[51] LOC (6) Cl. **06-01**

[52] U.S. Cl. **D6/356**

[58] Field of Search D6/334, 356, 367,
D6/381, 500, 501, 502; 297/452.24, 452.26,
452.34, 452.35

[56] References Cited

U.S. PATENT DOCUMENTS

D. 270,876	10/1983	Ikeda et al.	D6/356
D. 277,526	2/1985	White	D6/356
D. 280,472	9/1985	Seto	D6/356
D. 298,985	12/1988	Geffert et al.	D6/356
D. 332,181	1/1993	Sacco et al.	D6/356
D. 355,777	2/1995	Emoto	D6/356
D. 365,216	12/1995	Smith	D6/356

OTHER PUBLICATIONS

Racaro catalog, p. 19, seat at top right, Oct. 15, 1985.
Honda Civic Car Seat shown, 1985.
D&W Catalog, p. 598, seat at top right, Aug. 4, 1994.

Primary Examiner—Gary D. Watson
Attorney, Agent, or Firm—Evenson McKeown Edwards & Lenahan, PLLC

[57] CLAIM

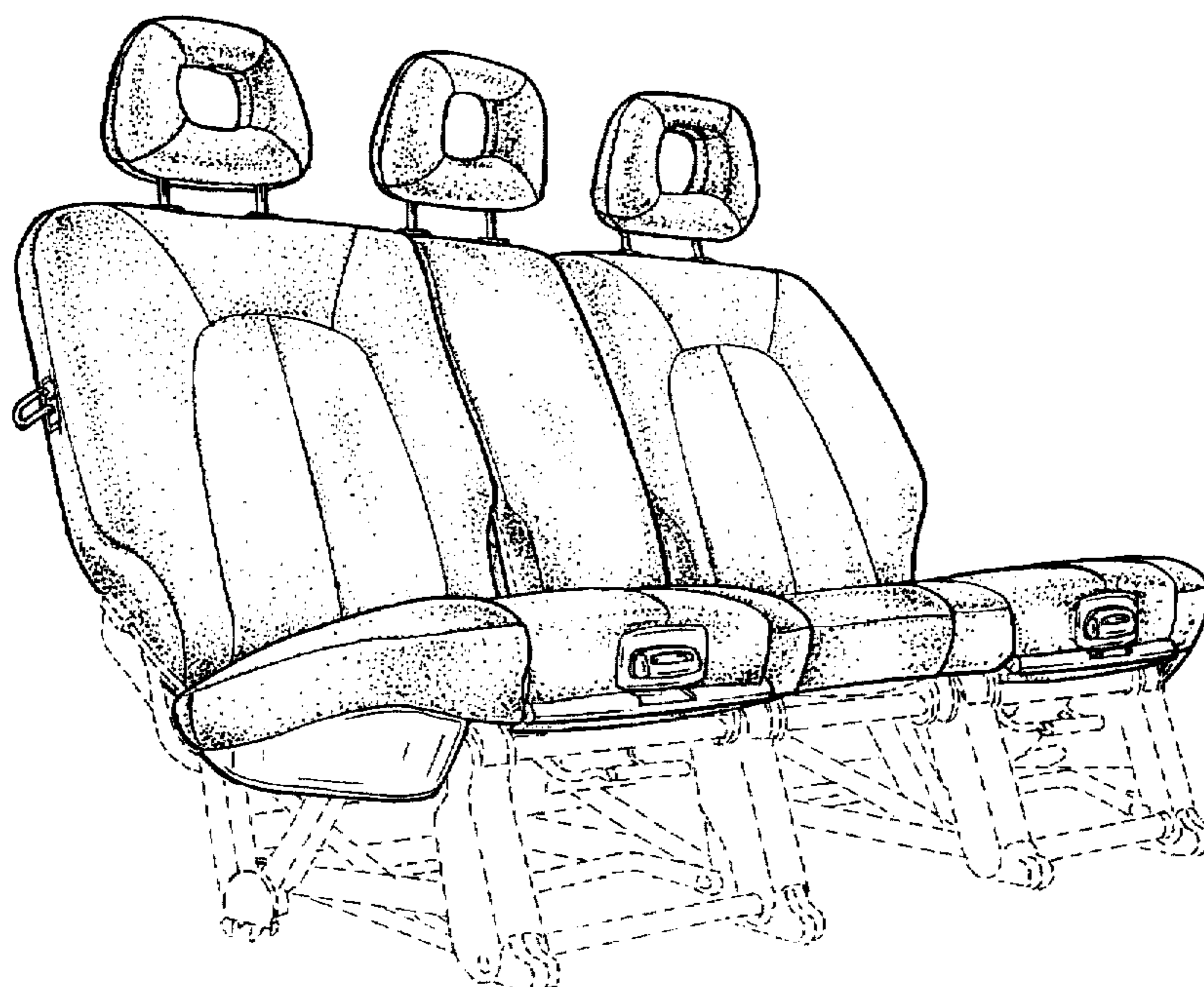
The ornamental design for a vehicle seat assembly, as shown and described.

DESCRIPTION

FIG. 1 is a perspective front right side view of a vehicle seat assembly according to our novel design;
 FIG. 2 is a perspective left side view from below of the vehicle seat assembly according to our novel design;
 FIG. 3 is a front view of the vehicle seat assembly according to our novel design;
 FIG. 4 is a rear view of the vehicle seat assembly according to our novel design;
 FIG. 5 is a top view of the vehicle seat assembly according to our novel design;
 FIG. 6 is a perspective front left side view of the vehicle seat assembly in an alternate position according to our novel design;
 FIG. 7 is a perspective right side view of the vehicle seat assembly in an alternate position according to our novel design;
 FIG. 8 is a perspective left side view of the vehicle seat assembly in an alternate position according to our novel design;
 FIG. 9 is a perspective front view from below of the vehicle seat assembly in an alternate position according to our novel design.

The undercarriage structure and other features shown in dash lines depict the environment and do not form part of the claimed design.

1 Claim, 9 Drawing Sheets



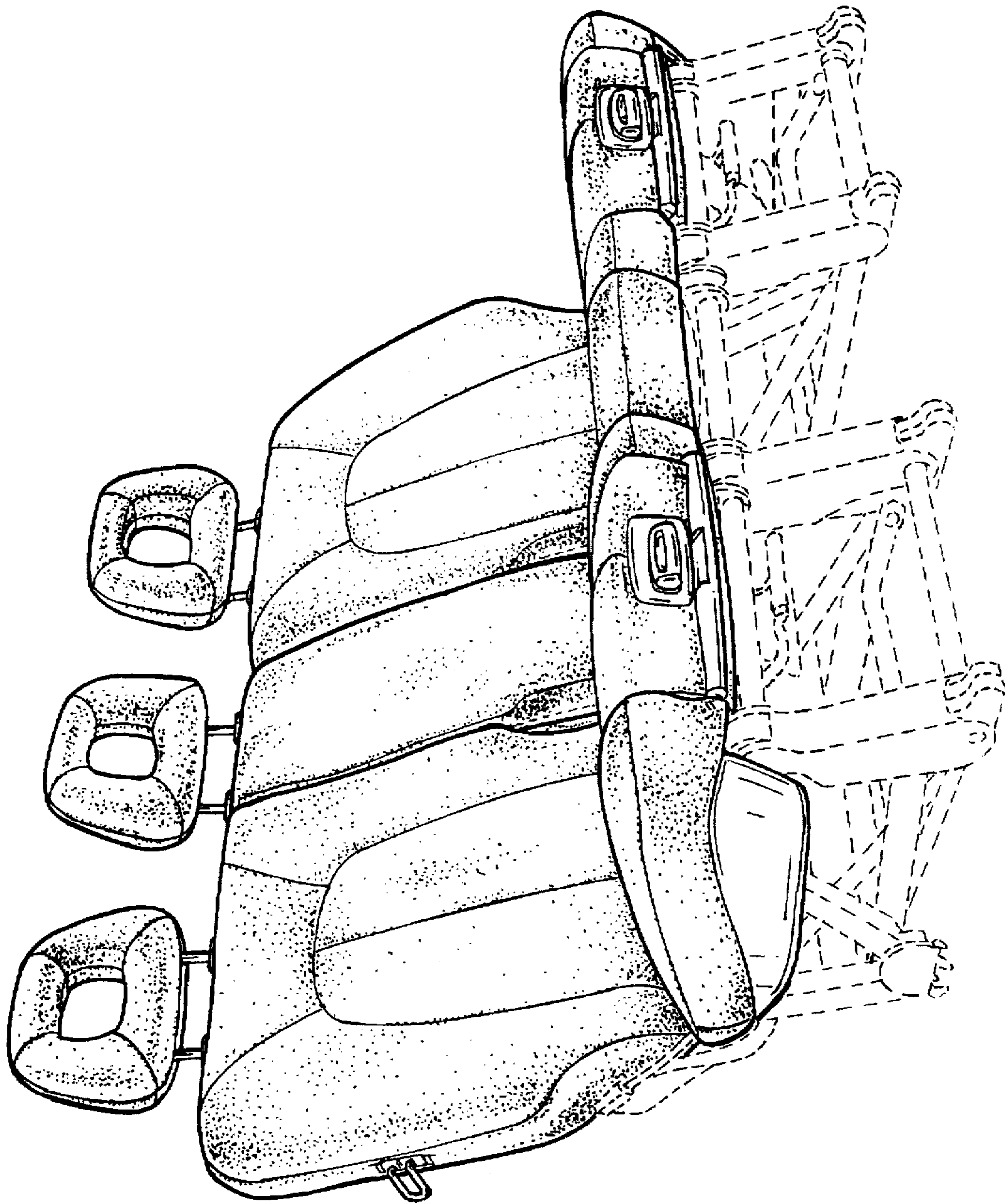


FIG. 1

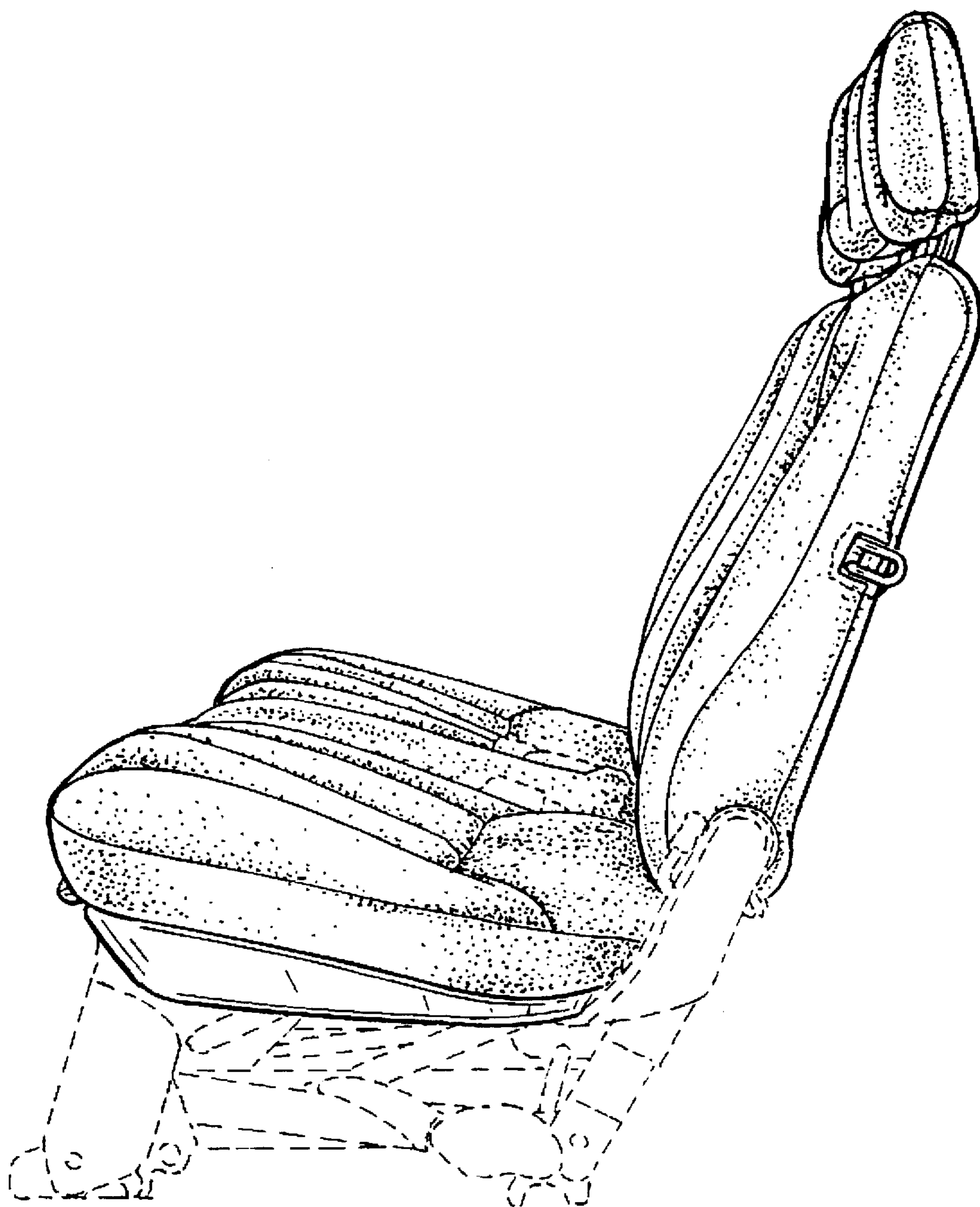


FIG. 2

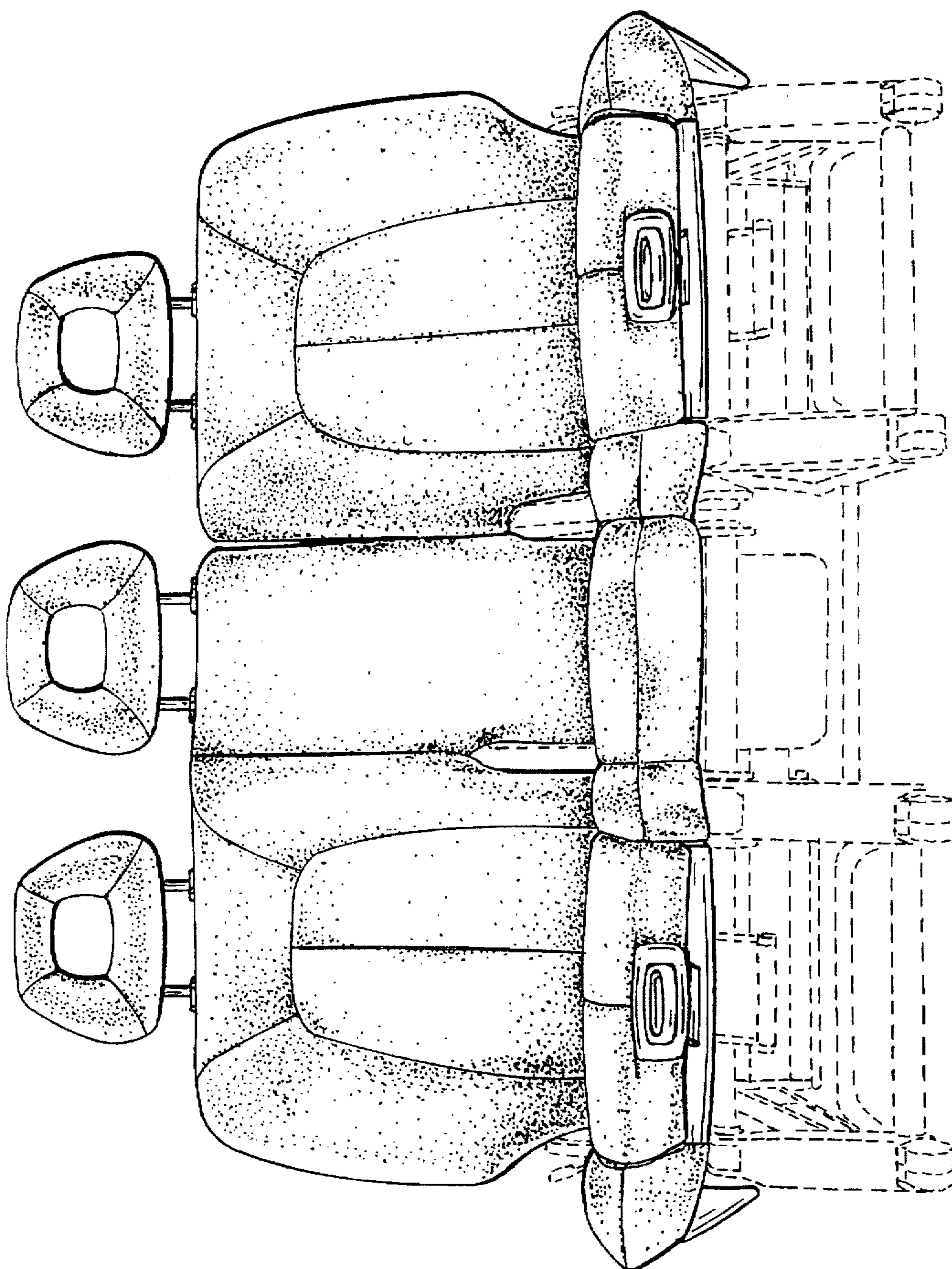


FIG. 3

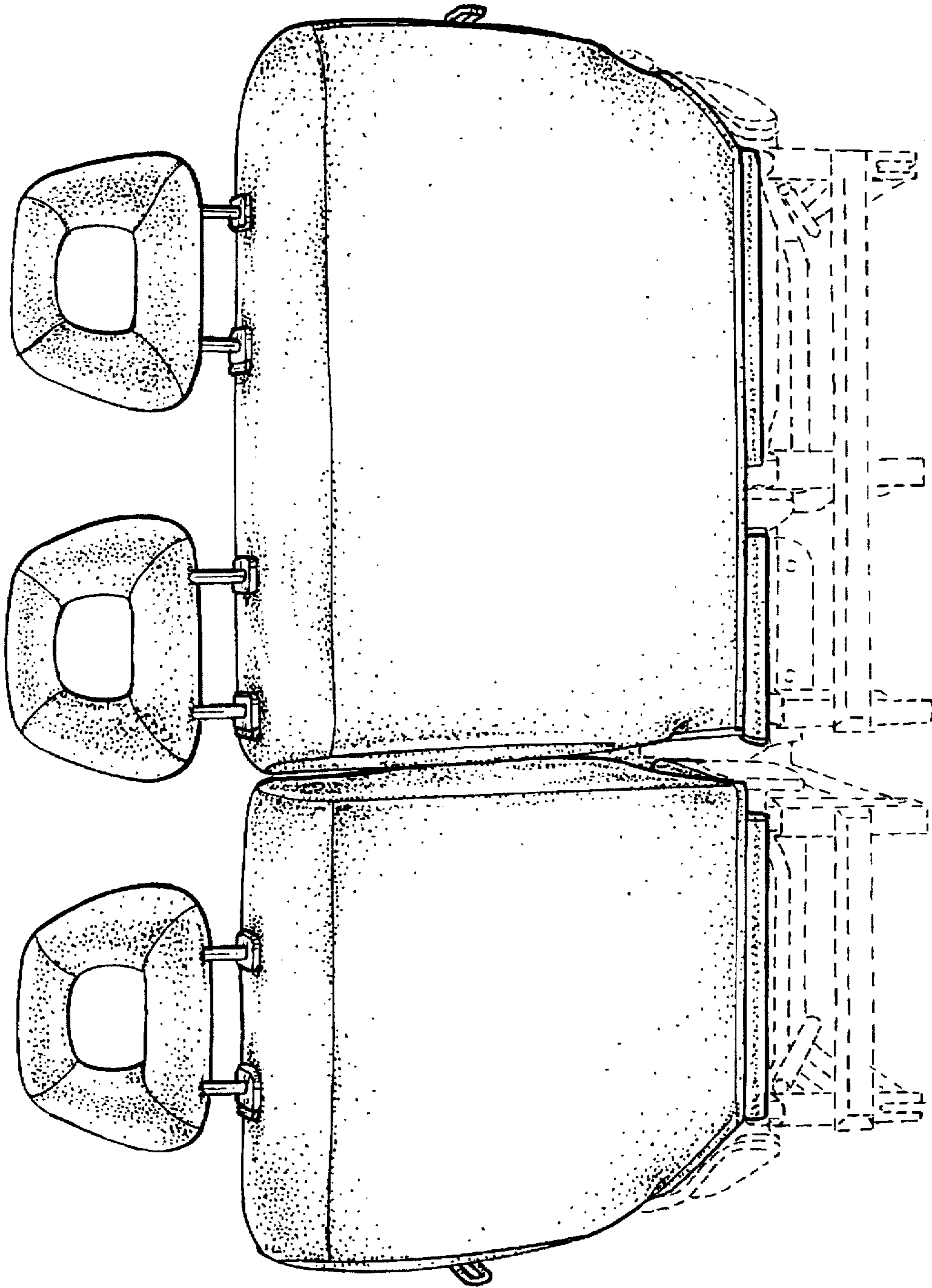


FIG. 4

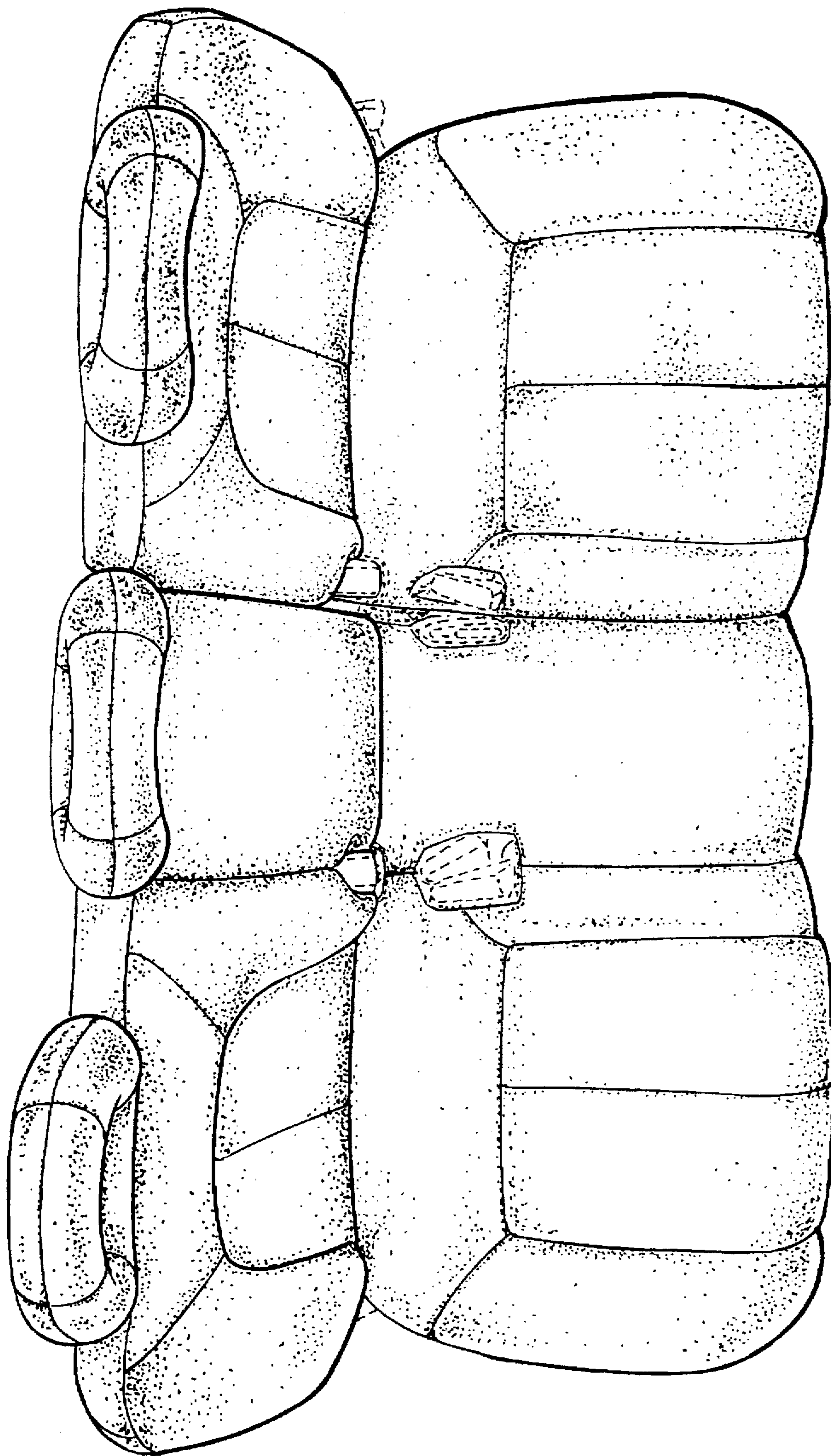


FIG. 5

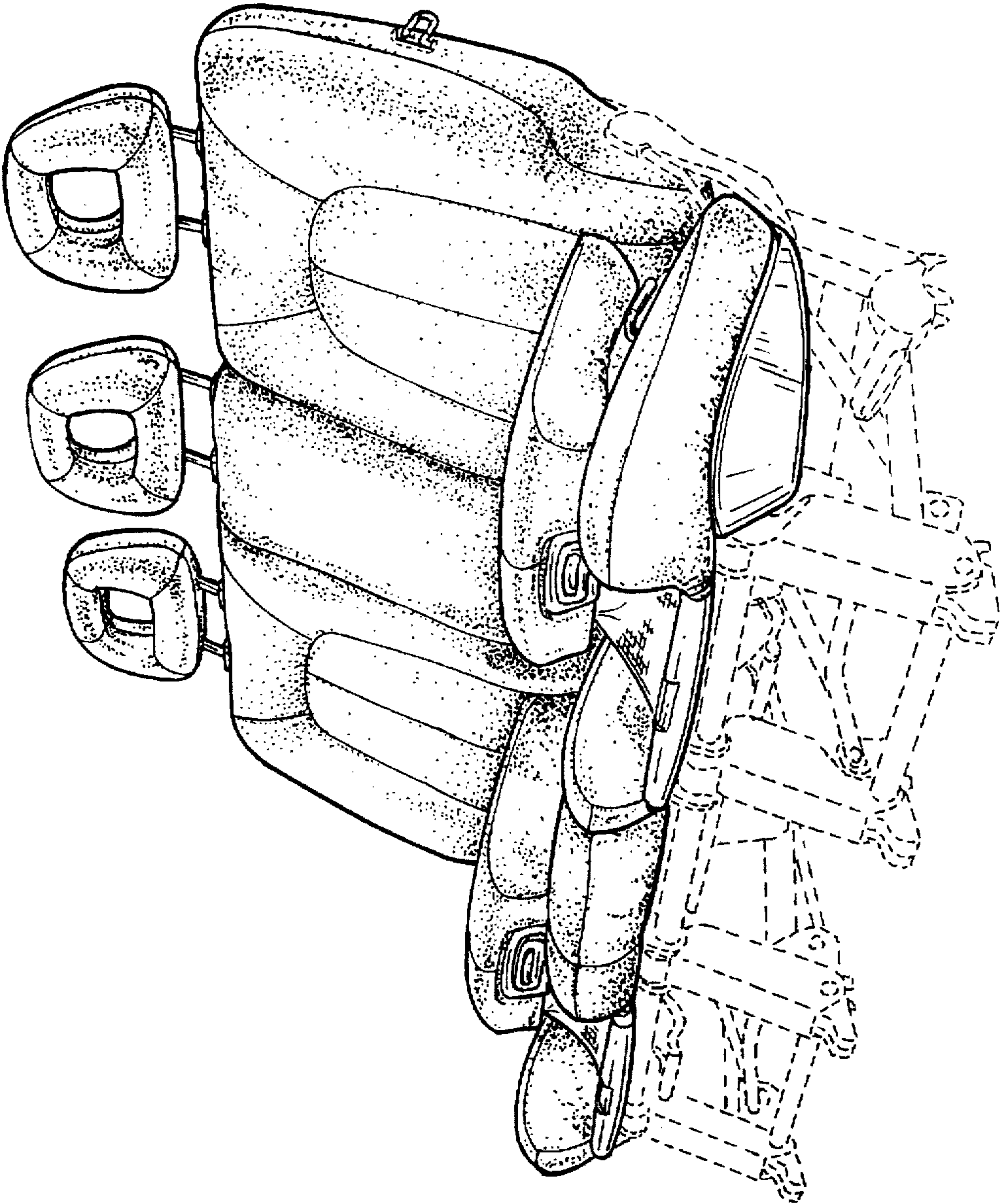


FIG. 6

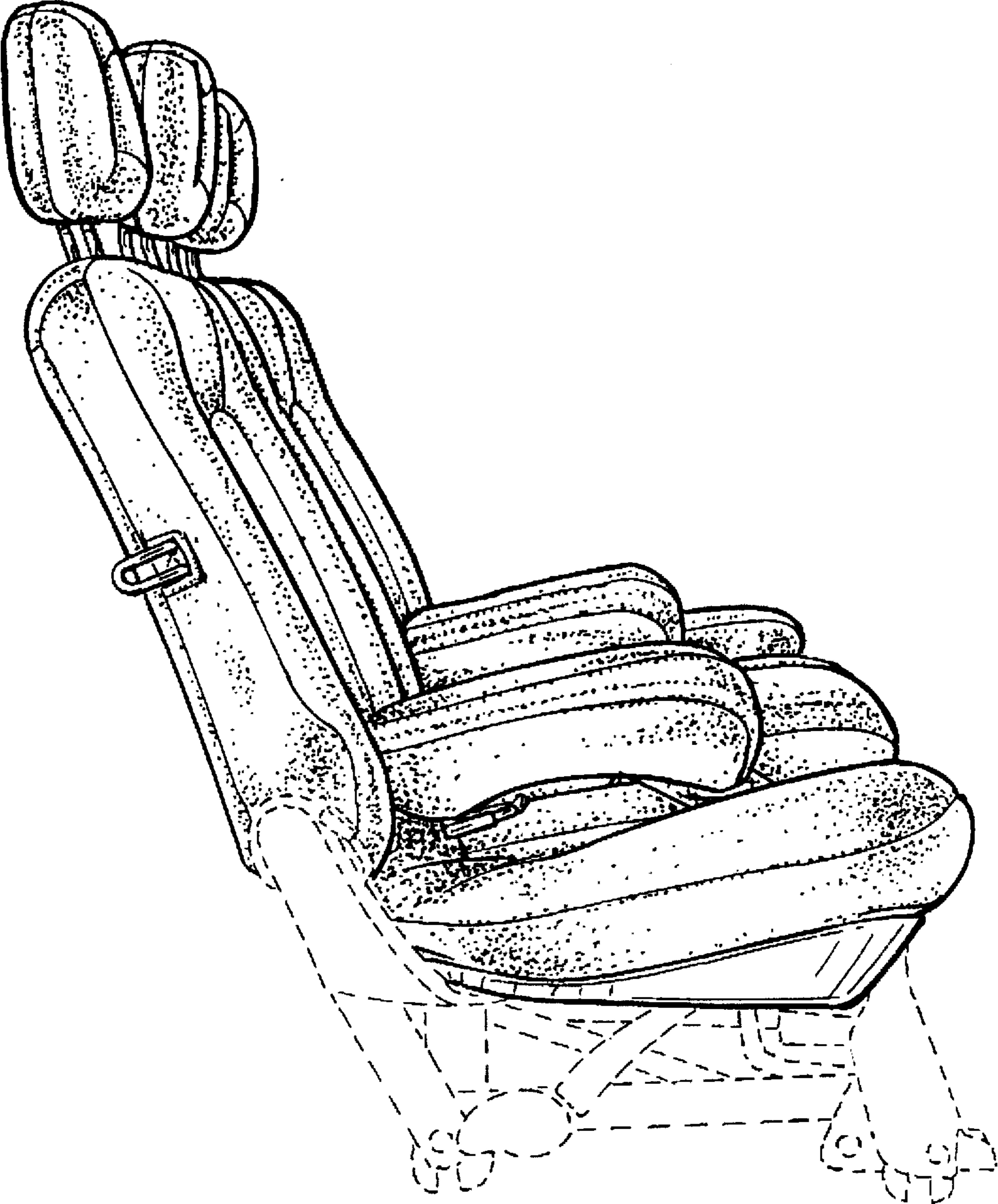


FIG. 7

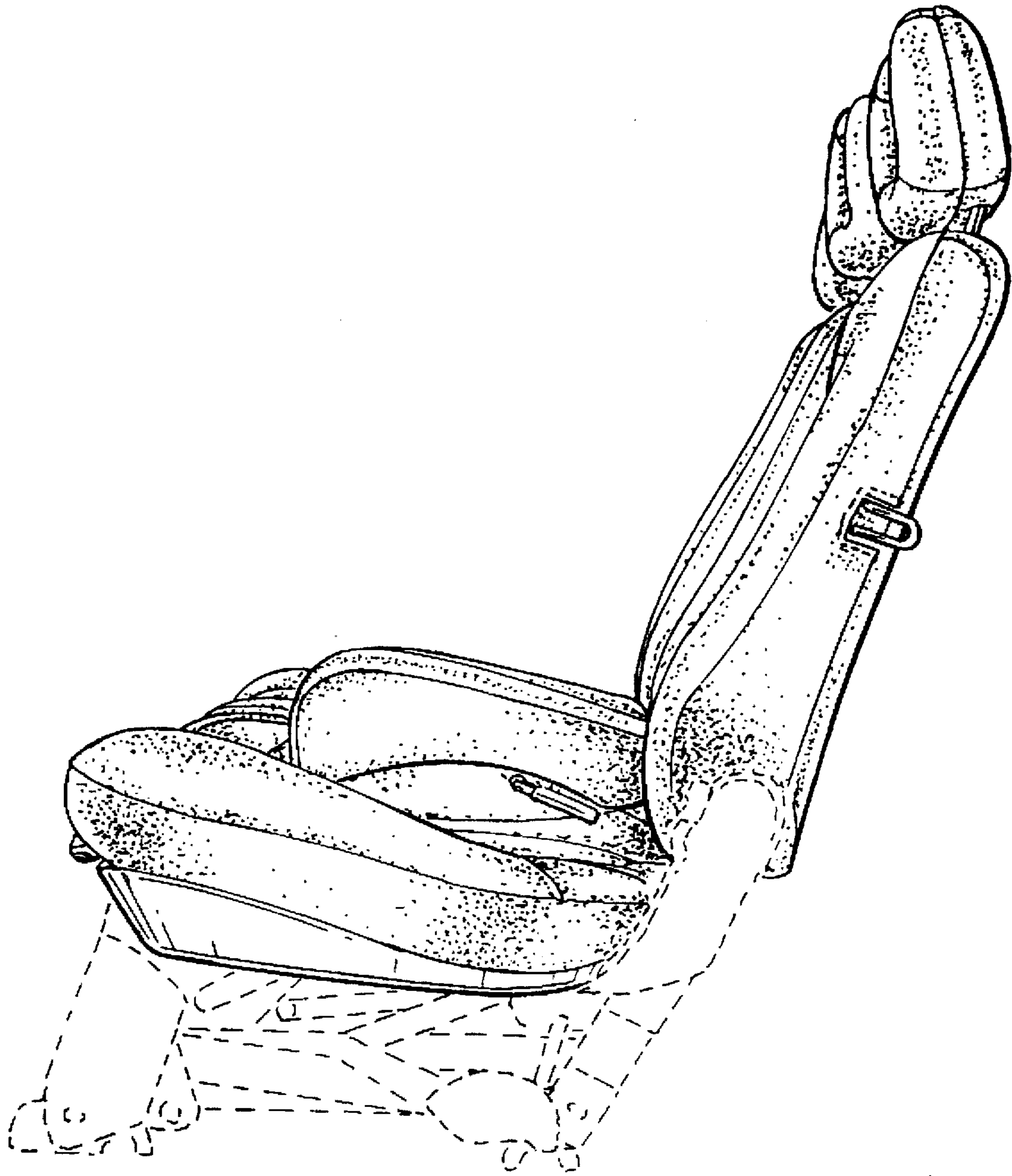


FIG. 8

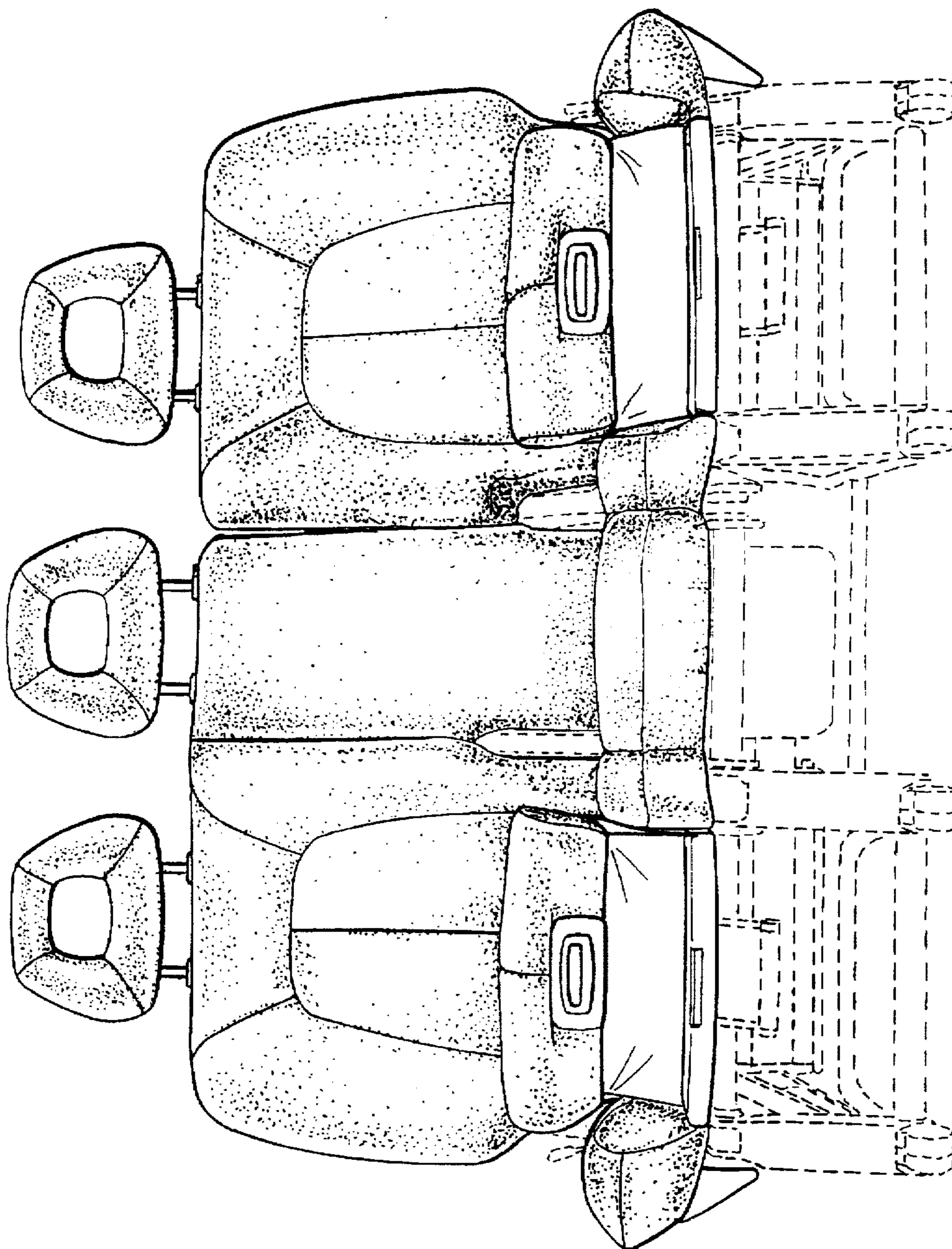


FIG. 9