



US00D391076S

United States Patent [19] Test

[11] Patent Number: **Des. 391,076**
[45] Date of Patent: ****Feb. 24, 1998**

[54] **COMPUTER BAG**
[76] Inventor: **John W. Test, 325M Sharon Park Dr.,
No. 724, Menlo Park, Calif. 94025**
[**] Term: **14 Years**
[21] Appl. No.: **54,376**
[22] Filed: **May 13, 1996**
[51] LOC (6) Cl. **03-01**
[52] U.S. Cl. **D3/287; D3/283; D3/301**
[58] Field of Search **D3/274, 276, 273,
D3/283, 285, 286, 287, 288, 289; 190/109,
110, 115, 116, 122, 112; 206/320**

D. 360,075 7/1995 Cross et al. D3/301
4,817,769 4/1989 Saliba 190/900
5,010,988 4/1991 Brown 206/320
5,475,574 12/1995 Chien 190/115

Primary Examiner—Philip S. Hyder
Attorney, Agent, or Firm—Flehr Hohbach Test Albritton &
Herbert LLP

[57] CLAIM

The ornamental design for a computer bag, as shown and described.

DESCRIPTION

FIG. 1 is a front elevational view of the computer bag showing my new design;
FIG. 2 is a rear elevational view thereof;
FIG. 3 is a top plan view thereof;
FIG. 4 is a bottom plan view thereof;
FIG. 5 is a left side elevational view thereof;
FIG. 6 is a right side elevational view thereof; and,
FIG. 7 is a perspective view thereof.

[56] **References Cited**
U.S. PATENT DOCUMENTS
D. 284,622 7/1986 Durbin D3/283
D. 284,623 7/1986 Gerch D3/287
D. 292,746 11/1987 Allen D3/274
D. 302,211 7/1989 Sears D3/283
D. 358,483 5/1995 Cross et al. D3/301

1 Claim, 7 Drawing Sheets

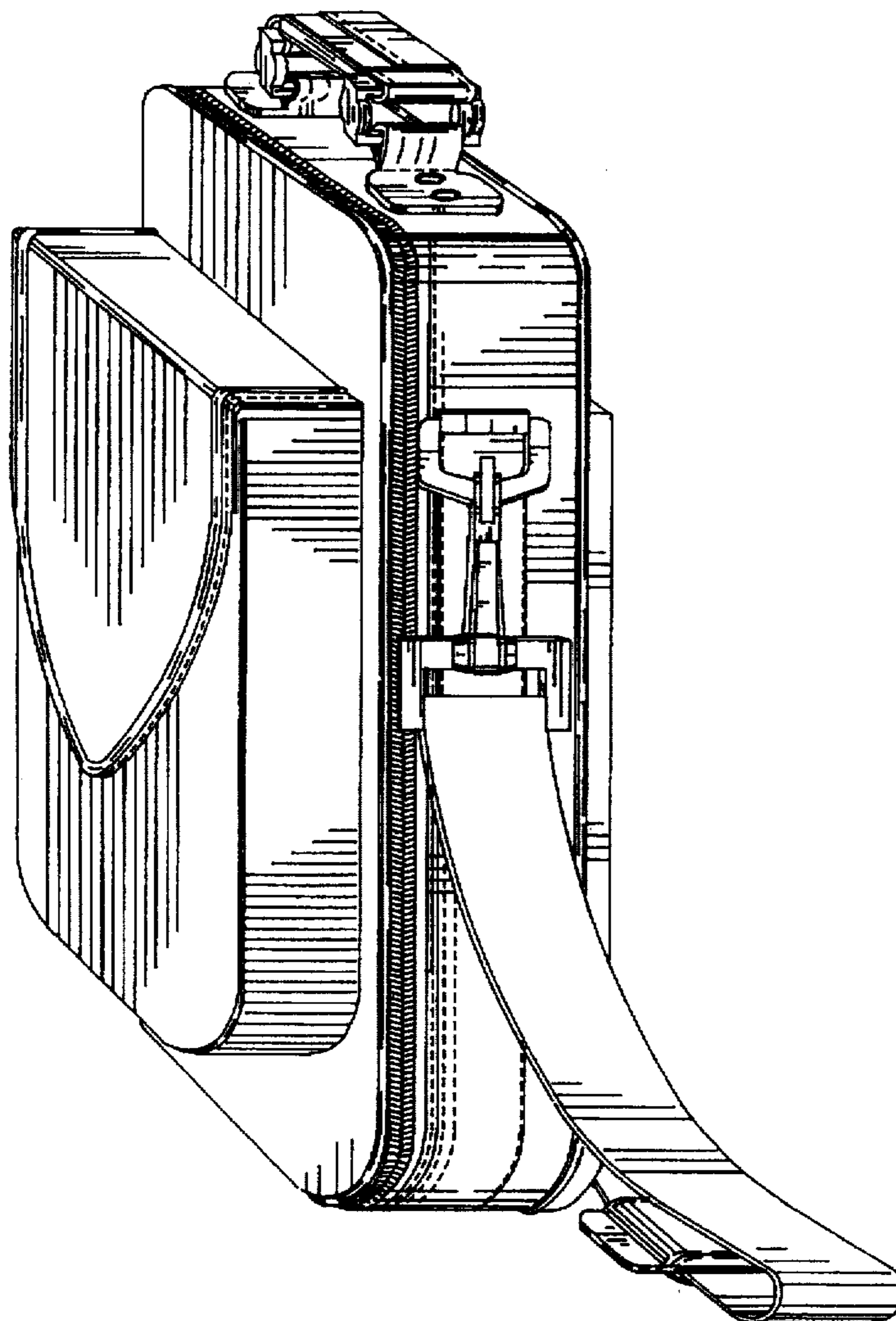
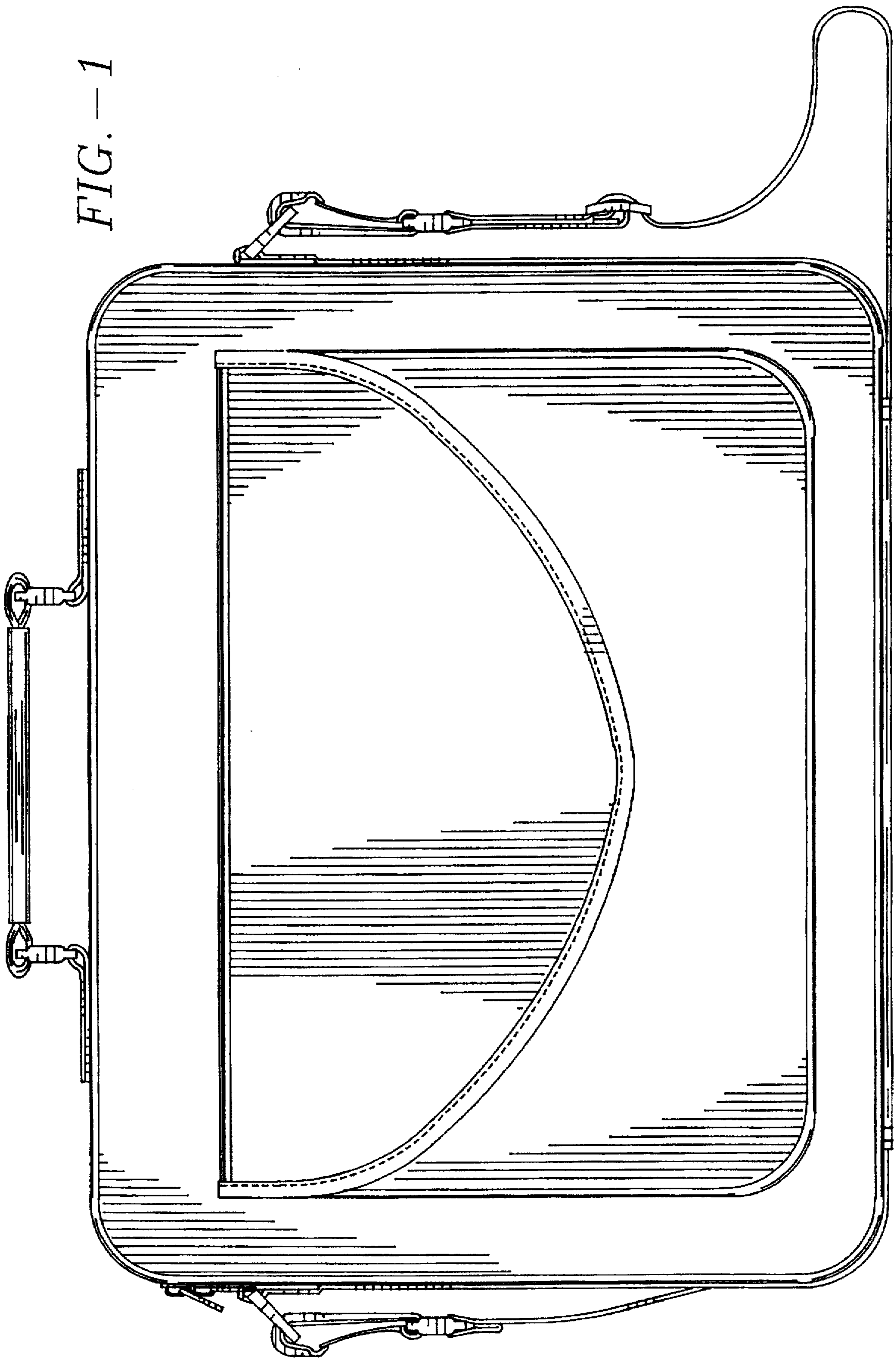


FIG. — 1



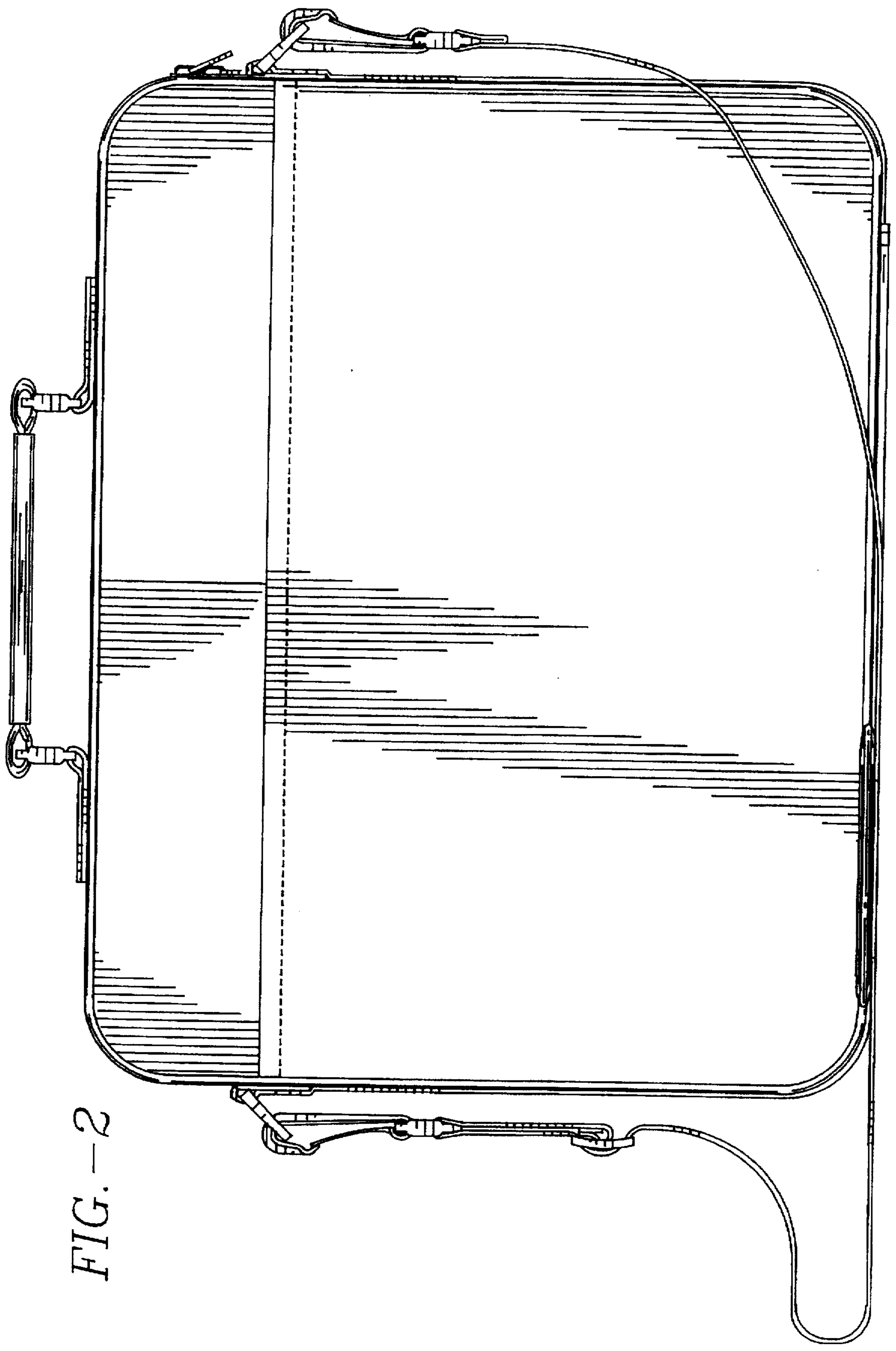


FIG. - 2

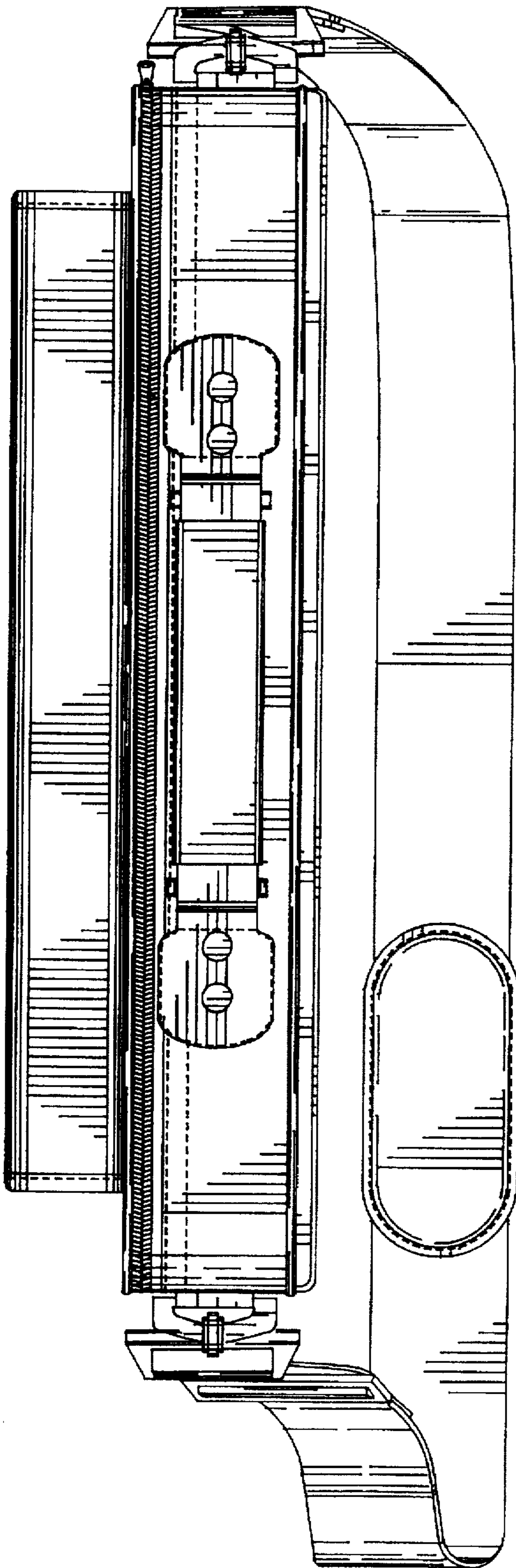


FIG. - 3

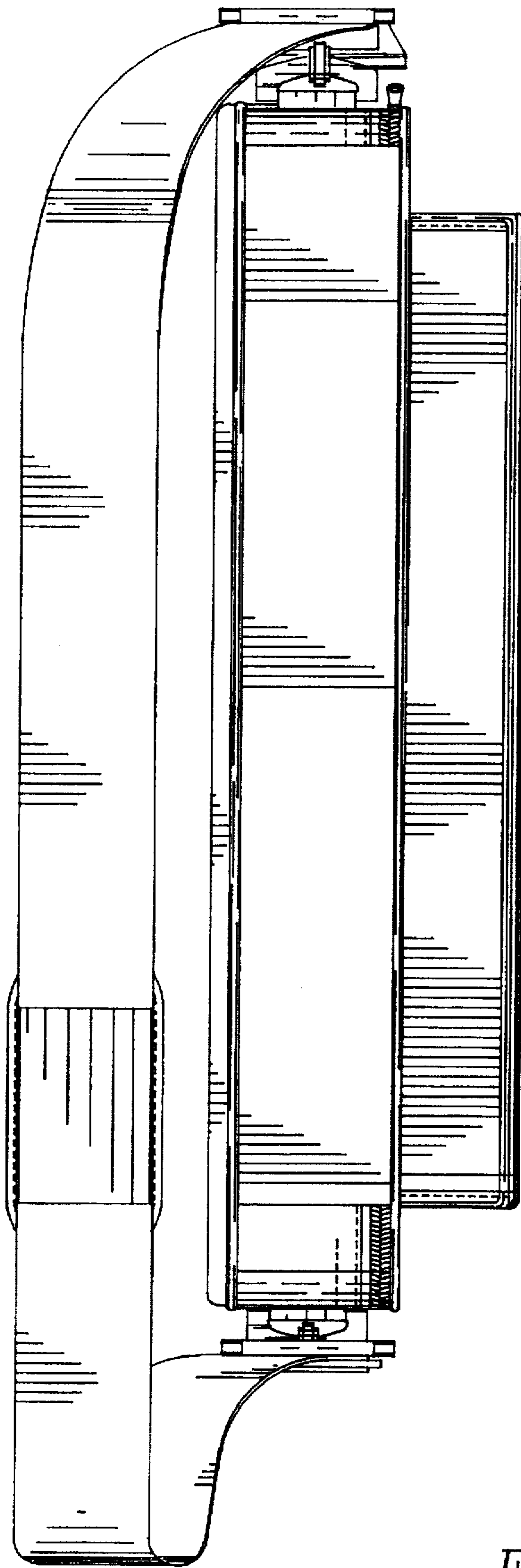


FIG. - 4

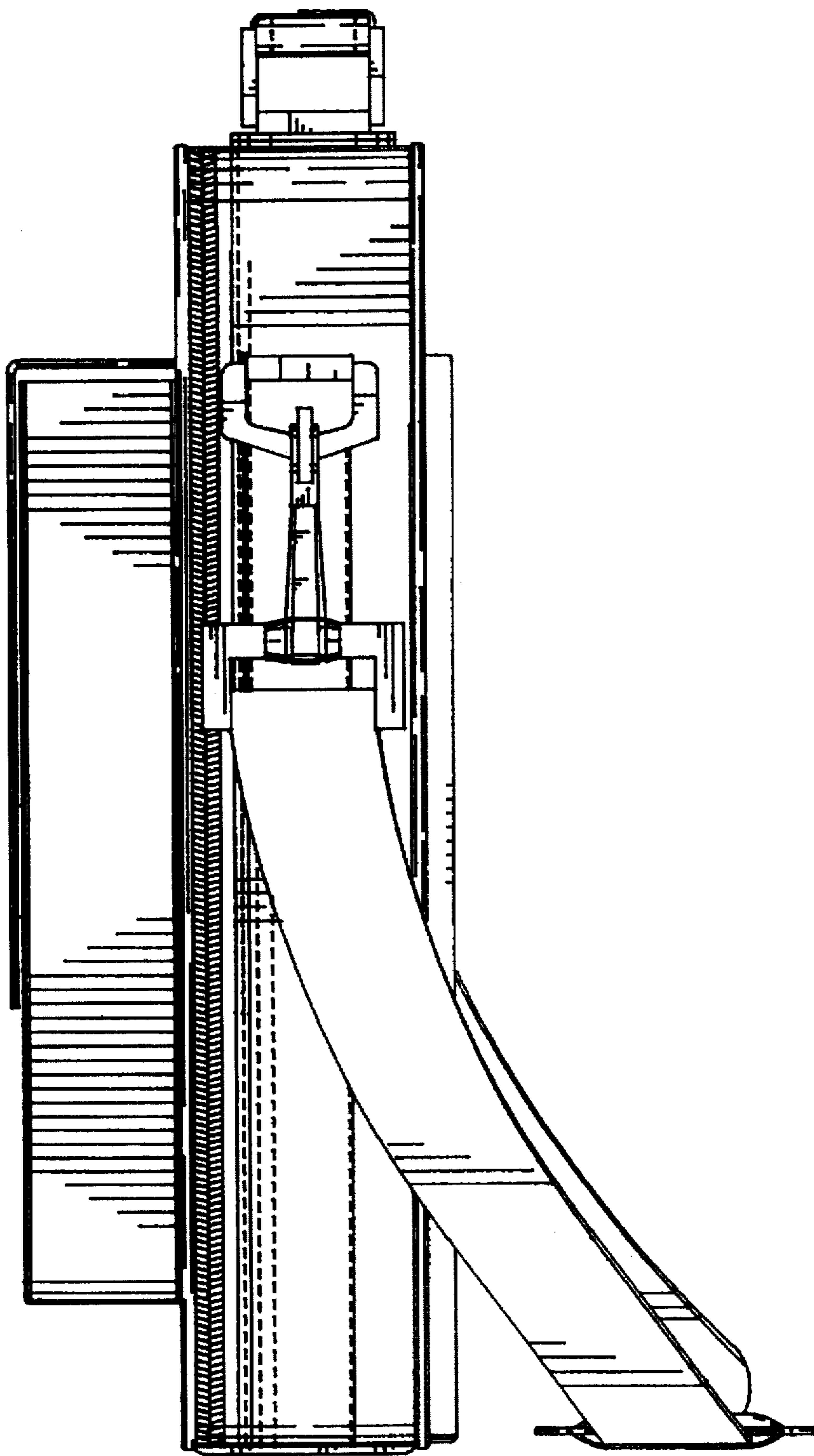


FIG. - 5

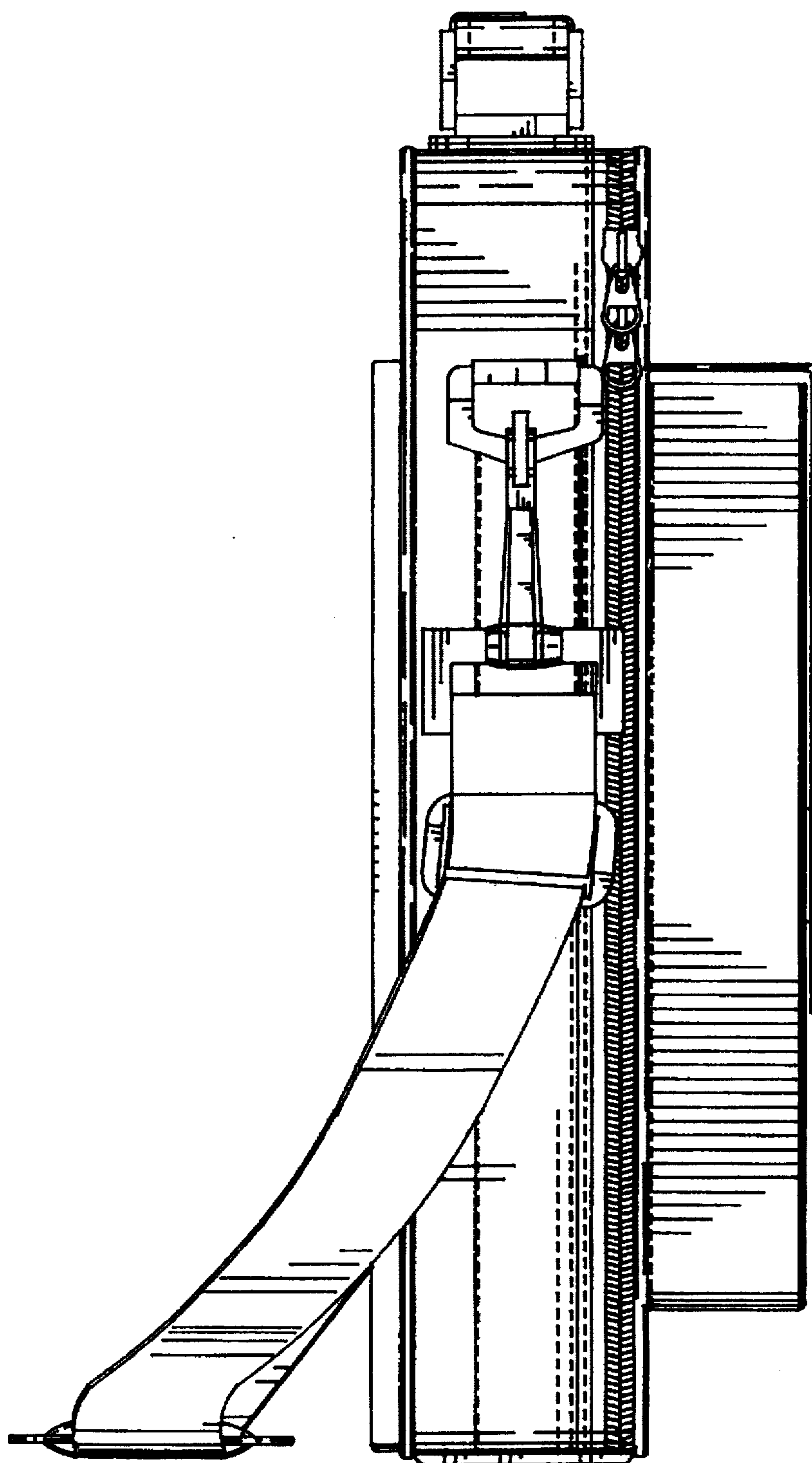


FIG. - 6

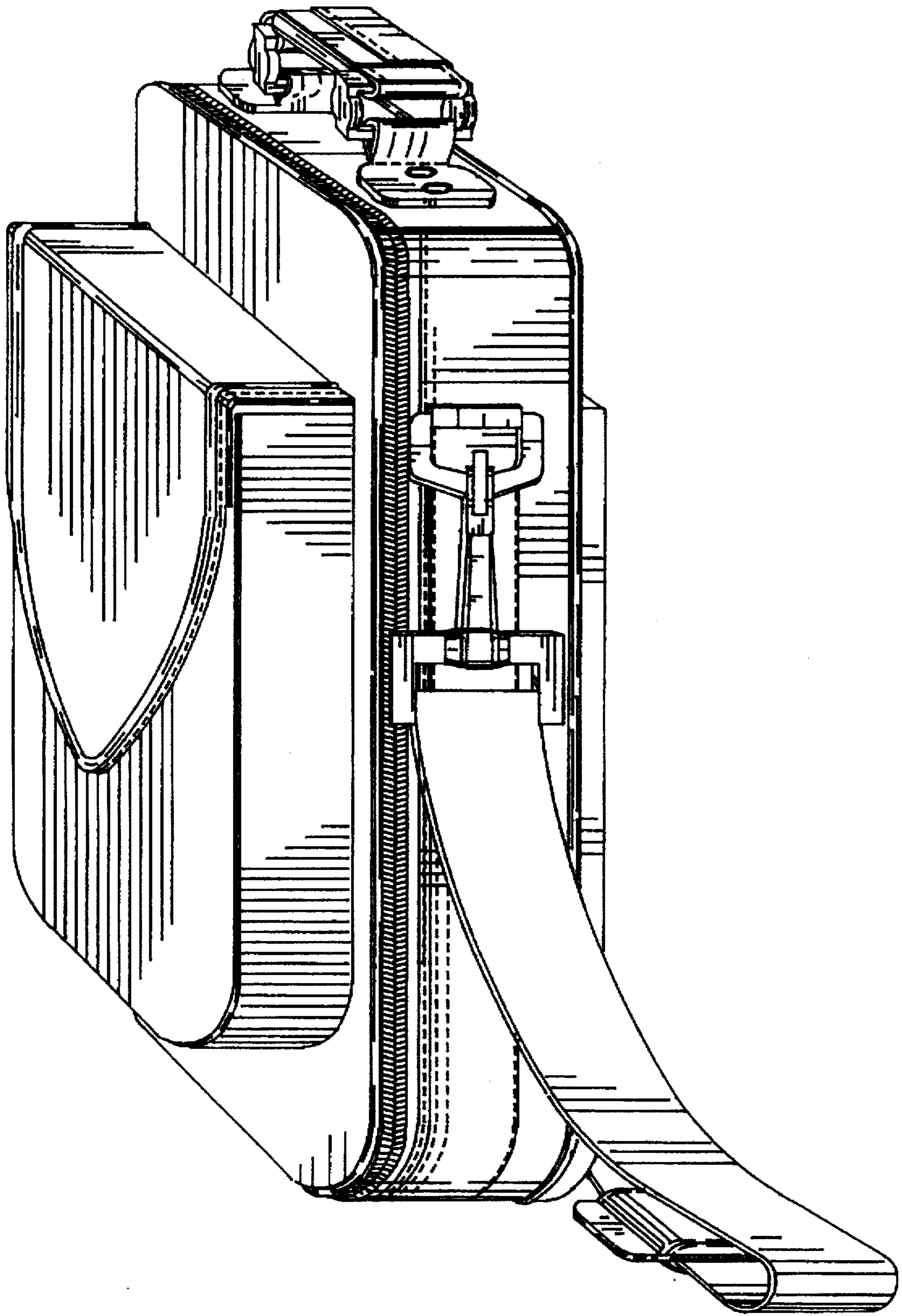


FIG. - 7