



US00D391072S

United States Patent [19]
Martin

[11] **Patent Number: Des. 391,072**
[45] **Date of Patent: **Feb. 24, 1998**

[54] **HAND-HELD FAN**

[76] **Inventor: Stanley Roland Martin, 2421 N. Park Blvd., Santa Ana, Calif. 92706**

[**] **Term: 14 Years**

[21] **Appl. No.: 63,992**

[22] **Filed: Dec. 20, 1996**

[51] **LOC (6) Cl. 03-04**

[52] **U.S. Cl. D3/1**

[58] **Field of Search D3/1, 2, 3, 4; 416/70, 71, 72, 73, 74**

[56] **References Cited**

U.S. PATENT DOCUMENTS

D. 48,630	2/1916	Eisemann	D3/1
D. 311,272	10/1990	Sampson	D3/1
D. 347,111	5/1994	Wheeler	D3/1
D. 347,726	6/1994	Mantenuto	D3/1
429,884	6/1890	Carley	416/72
1,388,037	8/1921	Hasskarl	416/70 A X

Primary Examiner—Doris V. Coles
Assistant Examiner—Catherine R. Oliver
Attorney, Agent, or Firm—Knobbe, Martens, Olson & Bear, LLP

[57] **CLAIM**

The ornamental design for a hand-held fan, as shown and described.

DESCRIPTION

FIG. 1 is a front, bottom perspective view of a first embodiment of a hand-held fan showing my new design;

FIG. 2 is a rear, top perspective view thereof;

FIG. 3 is a top plan view thereof;

FIG. 4 is a rear elevational view thereof;

FIG. 5 is a right side elevational view thereof; the left side elevational view being identical;

FIG. 6 is a front elevational view thereof;

FIG. 7 is a bottom plan view;

FIG. 8 is a top plan view of a second embodiment;

FIG. 9 is a front elevational view thereof, the rear elevational view being identical;

FIG. 10 is a right side elevational view thereof; the left side elevational view being identical;

FIG. 11 is a bottom plan view thereof;

FIG. 12 is a front, bottom perspective view of a third embodiment;

FIG. 13 is a rear, top perspective view thereof;

FIG. 14 is a top plan view thereof;

FIG. 15 is a rear elevational view thereof;

FIG. 16 is a right side elevational view thereof, the left side elevational view being identical;

FIG. 17 is a front elevational view thereof;

FIG. 18 is a bottom plan view thereof;

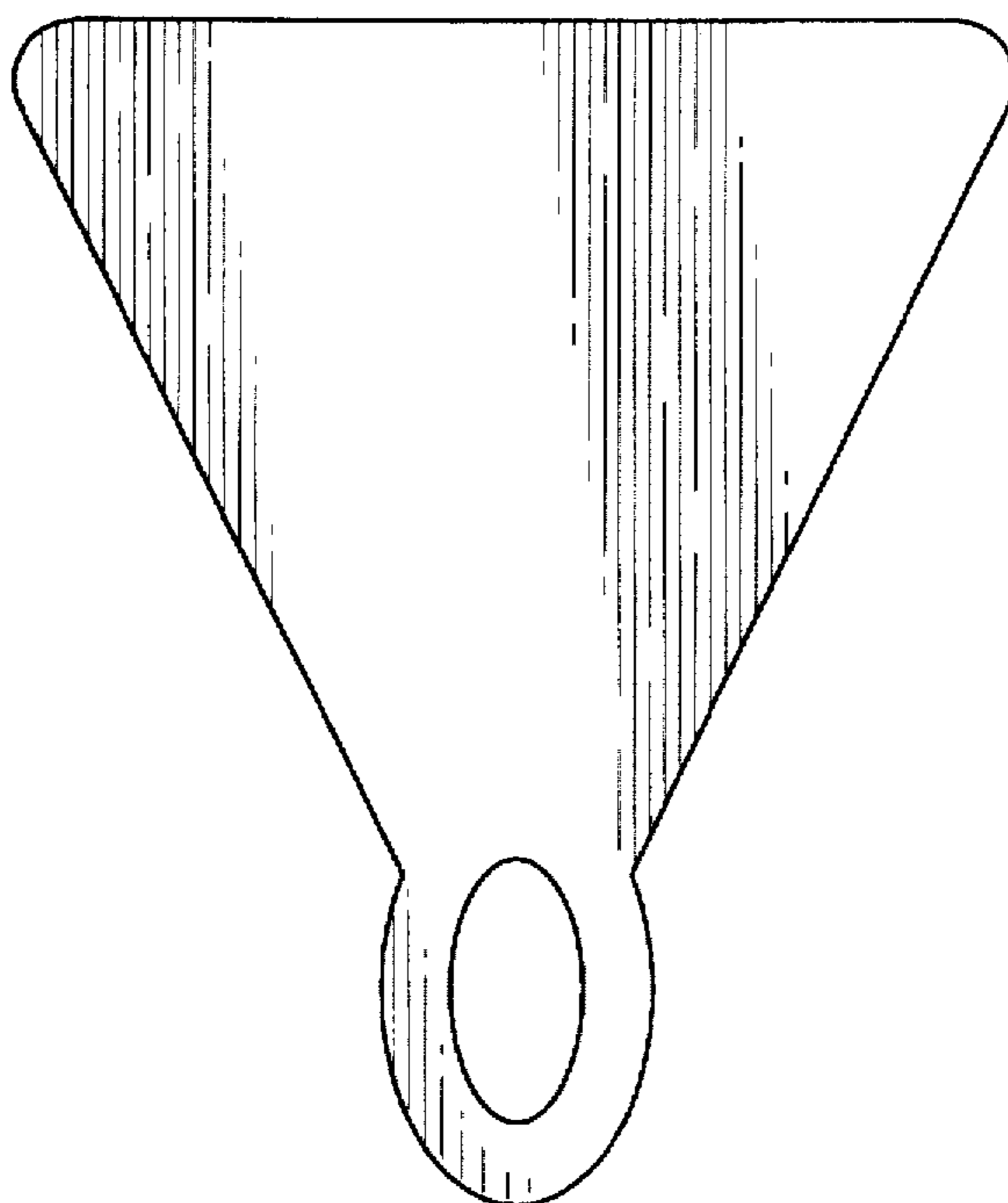
FIG. 19 is a top plan view of a fourth embodiment;

FIG. 20 is a front elevational view thereof; the rear elevational view being identical;

FIG. 21 is a right side elevational view; the left side elevational view being identical; and,

FIG. 22 is a bottom plan view.

1 Claim, 6 Drawing Sheets



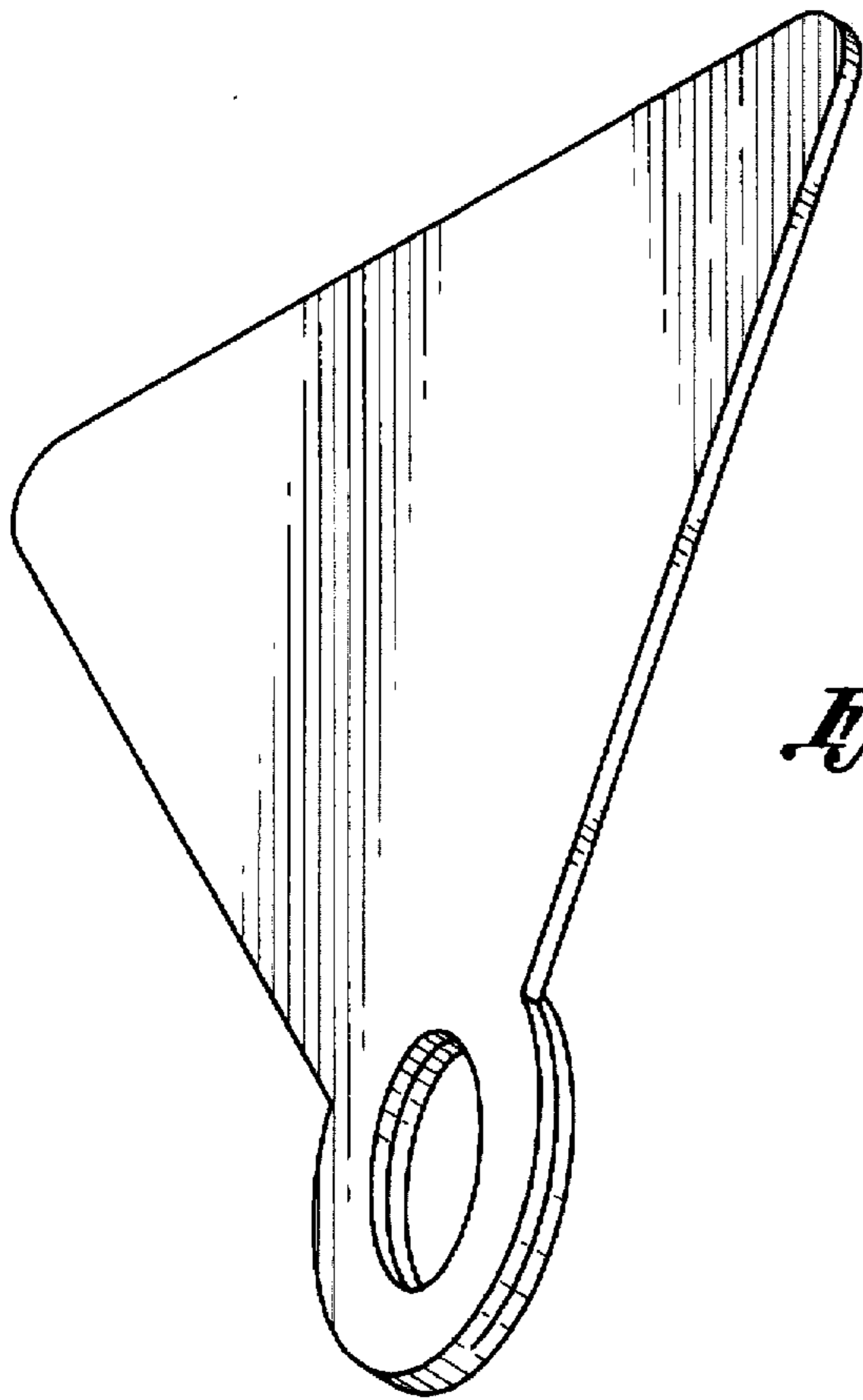


Fig. 1

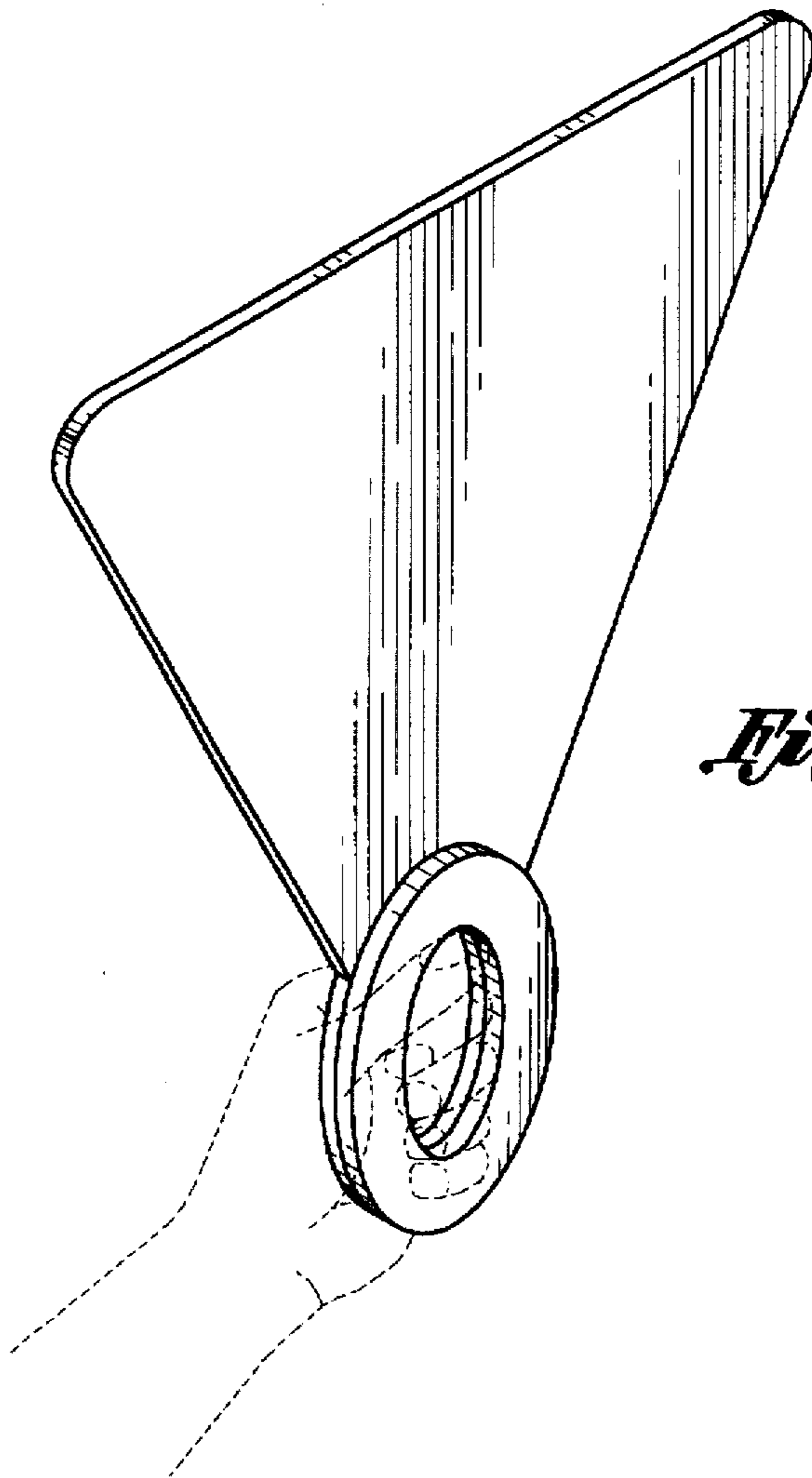


Fig. 2

Fig. 3



Fig. 4

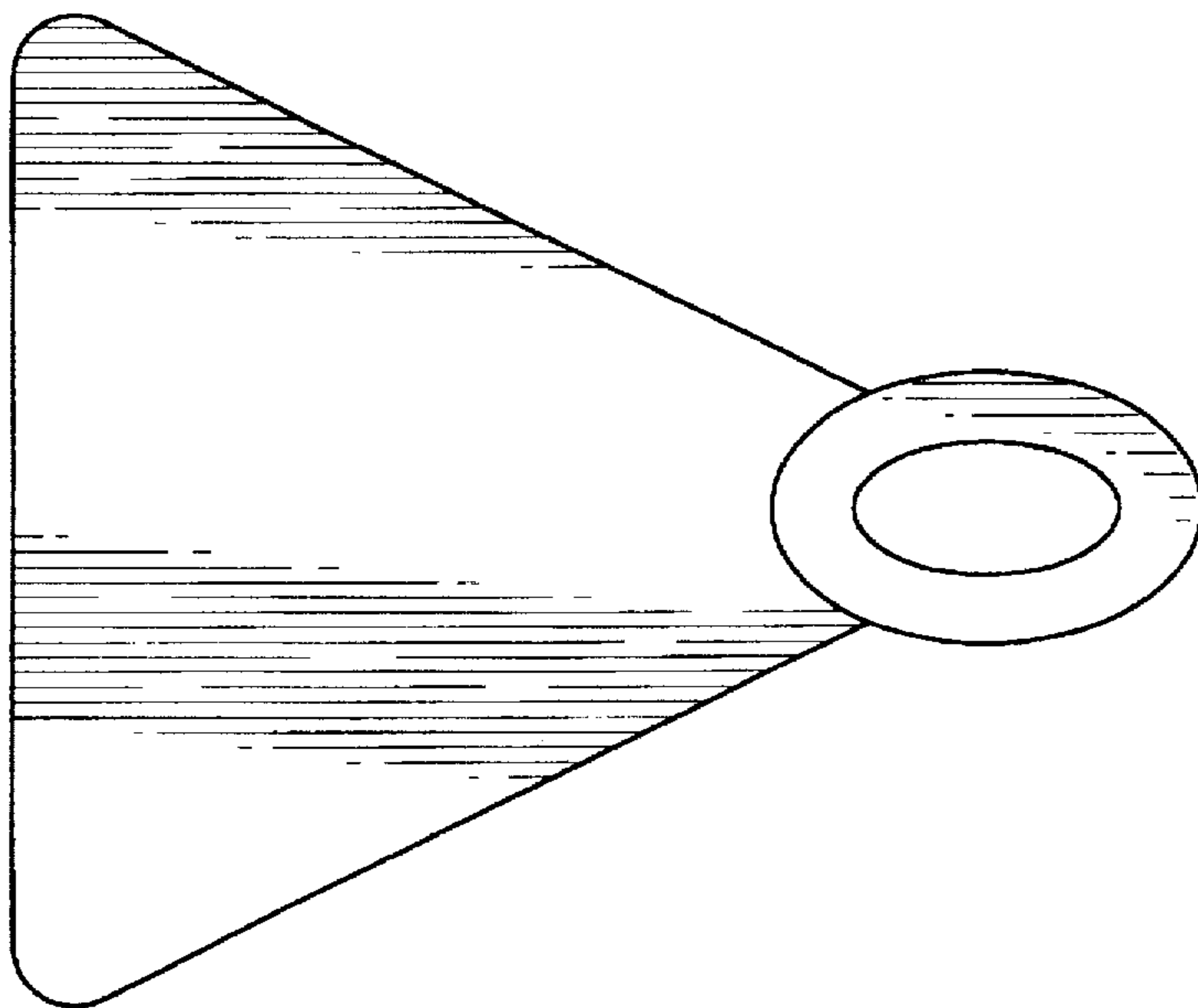


Fig. 5



Fig. 6

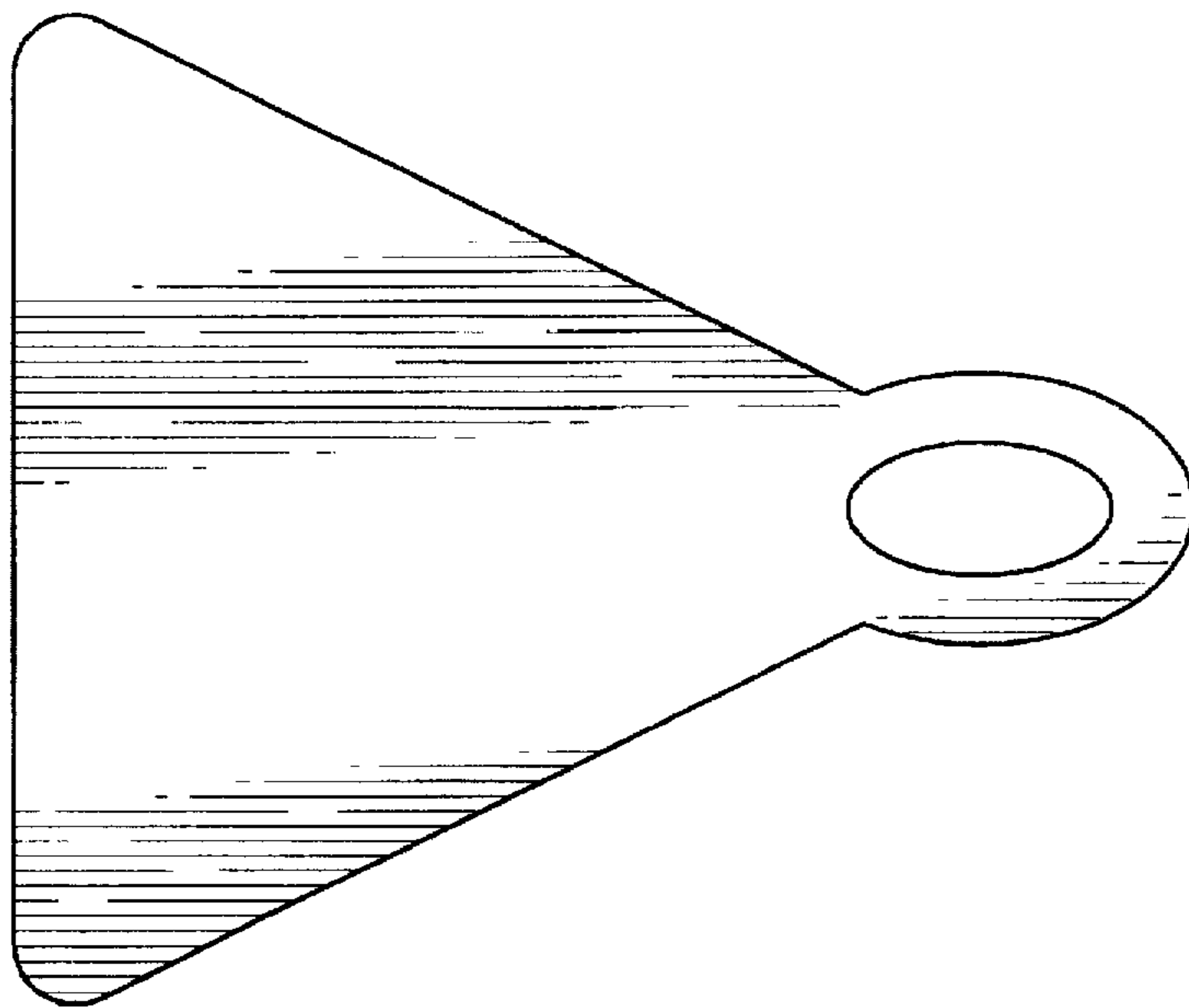


Fig. 7



Fig. 8



Fig. 9

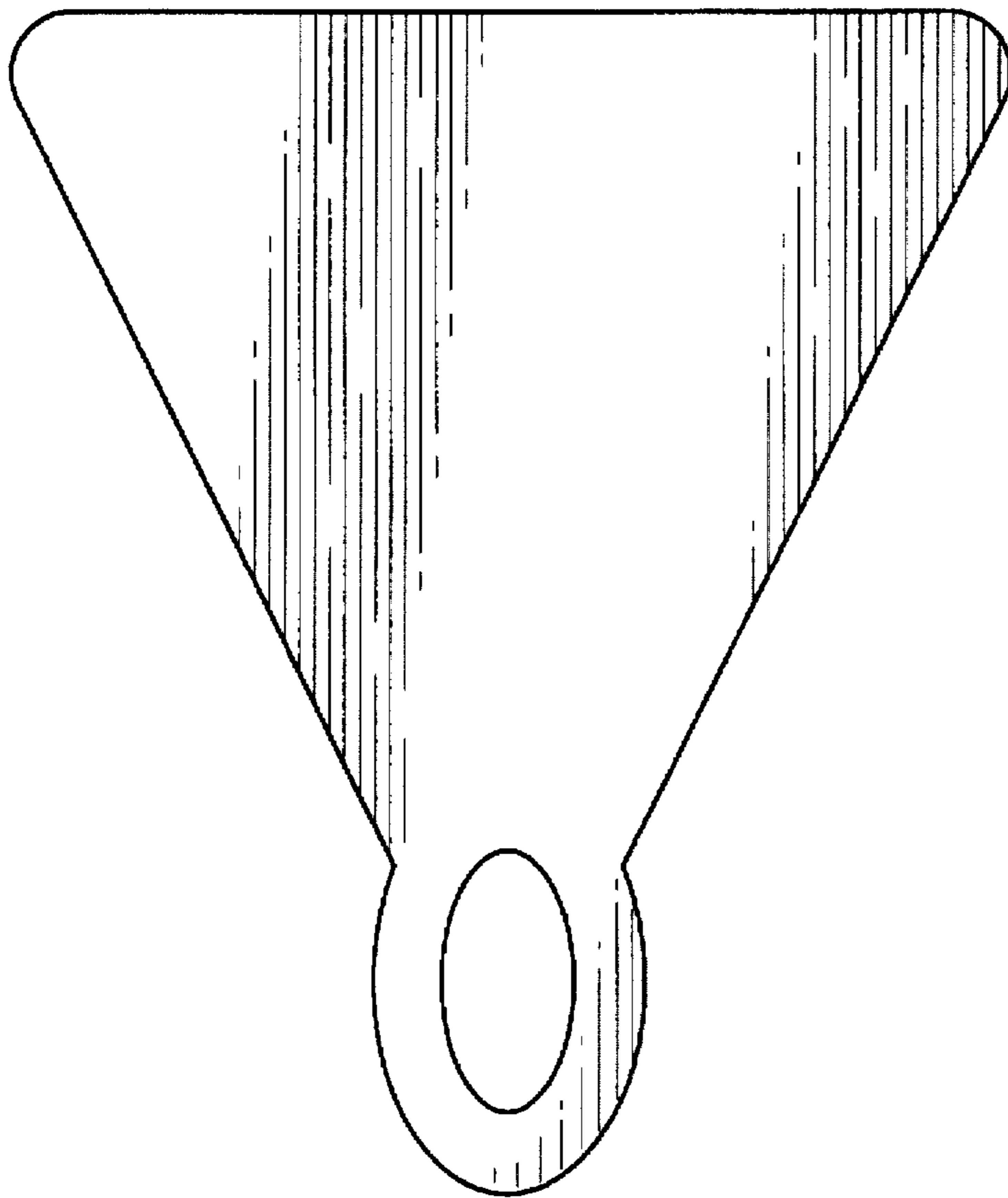


Fig. 10



Fig. 11



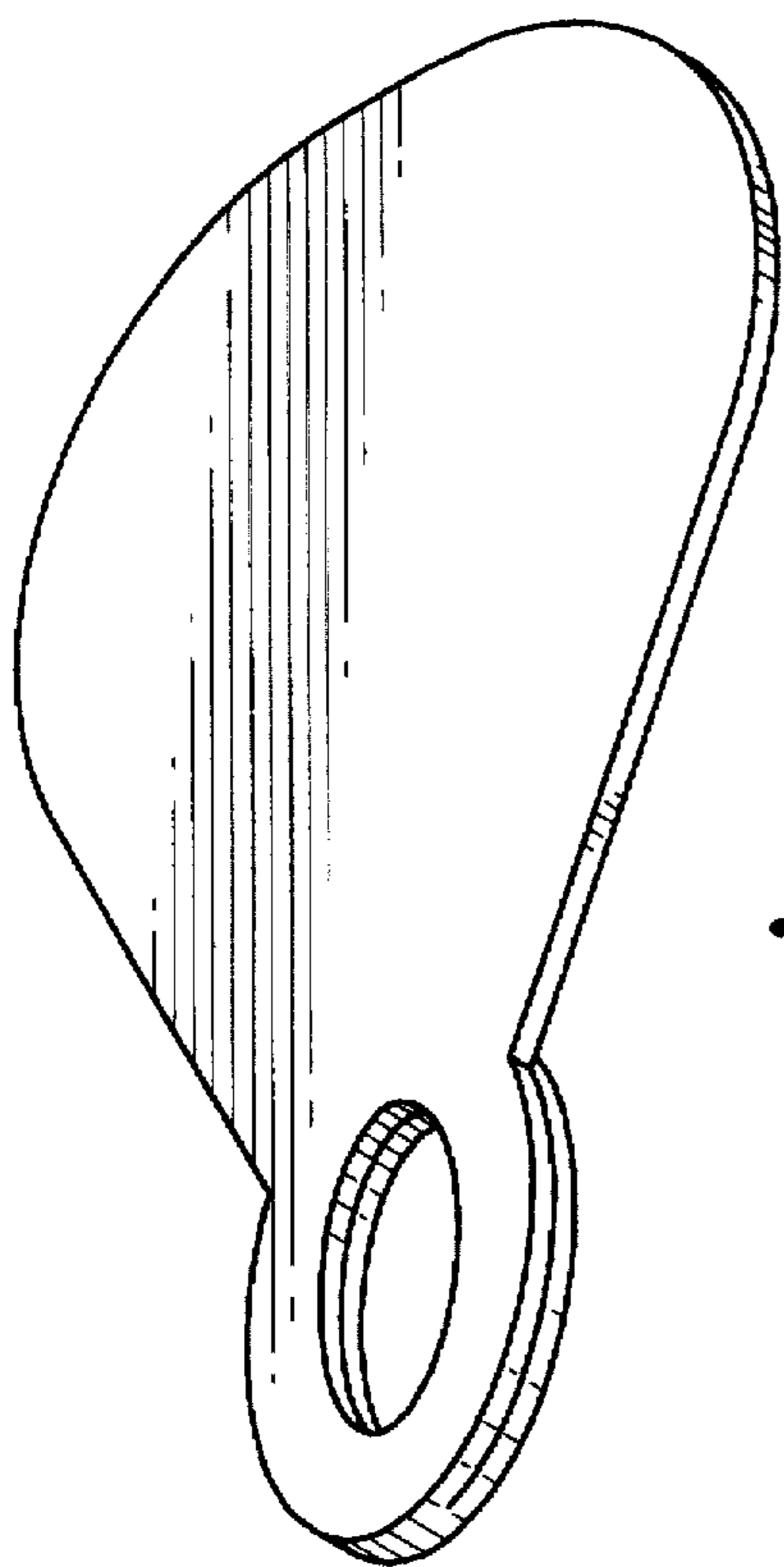


Fig. 12

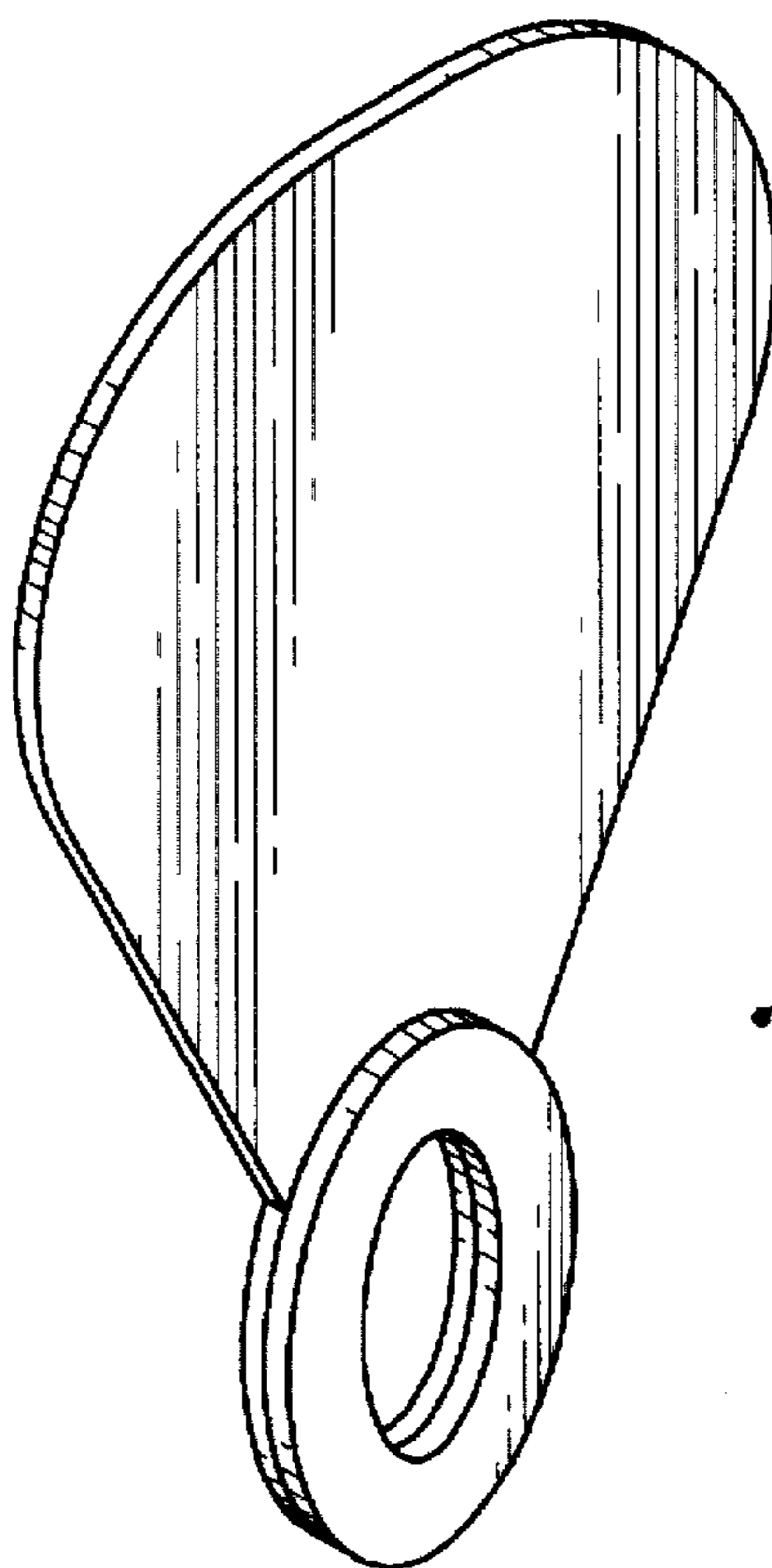


Fig. 13

Fig. 14



Fig. 15

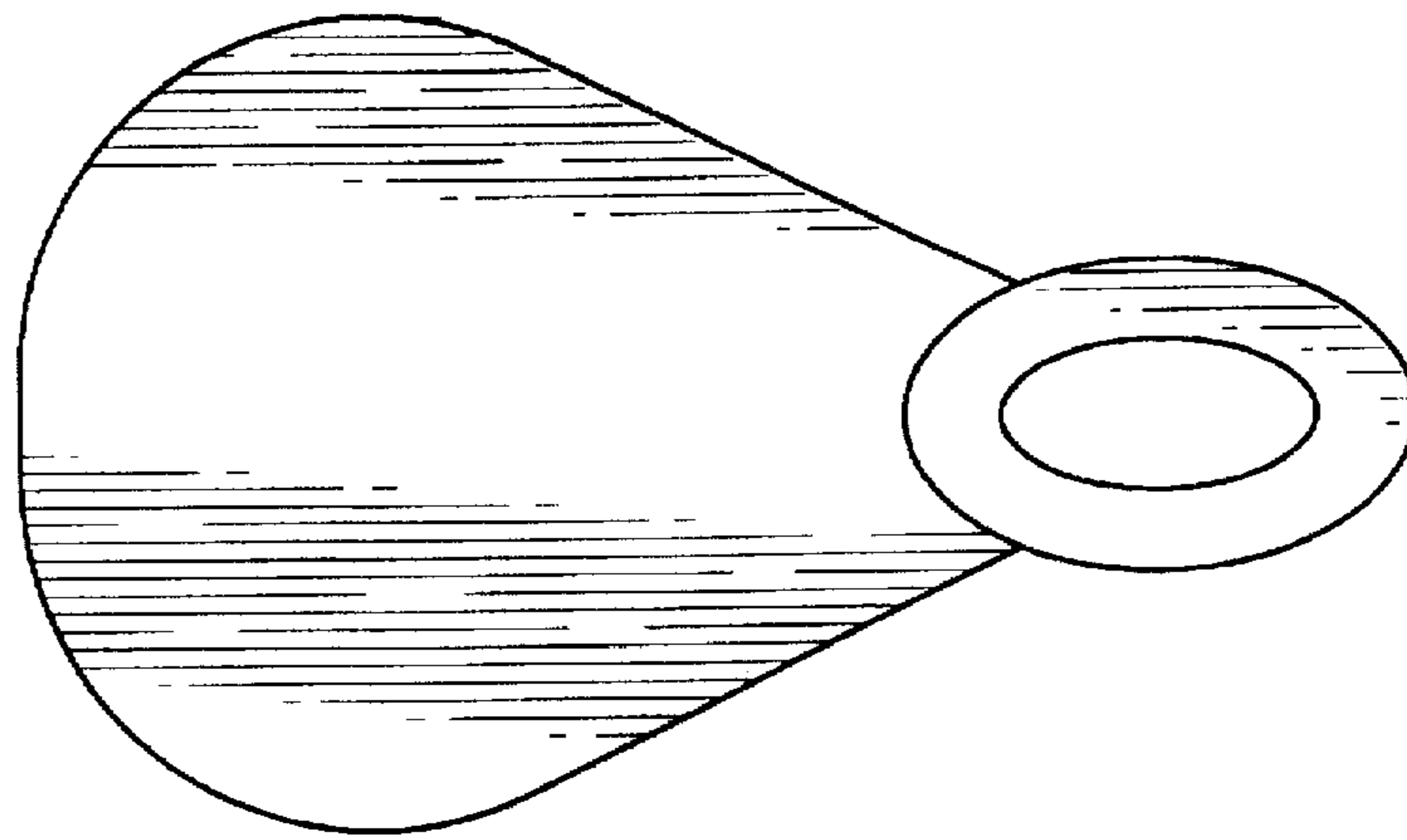


Fig. 18



Fig. 16



Fig. 17

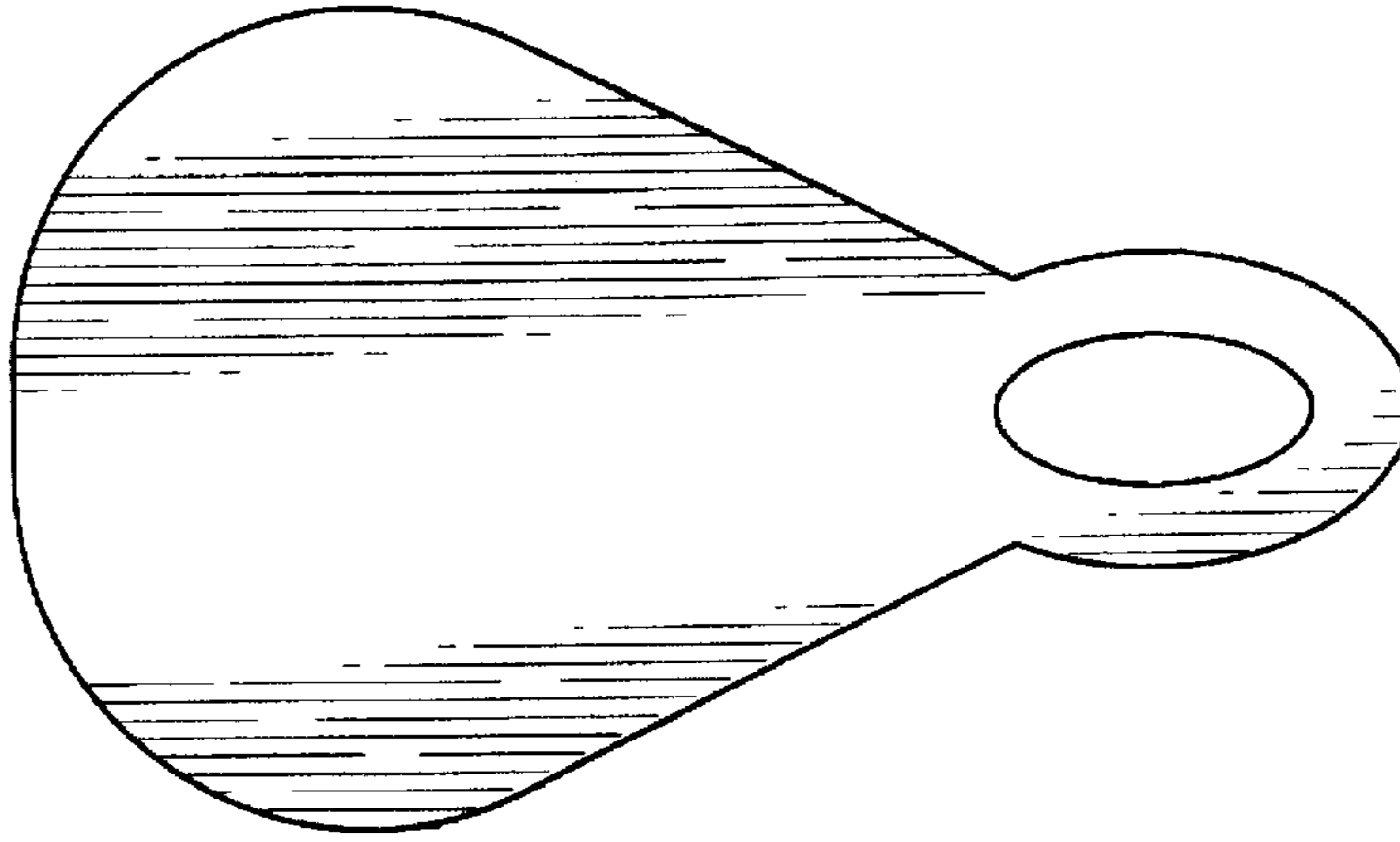


Fig. 19



Fig. 20

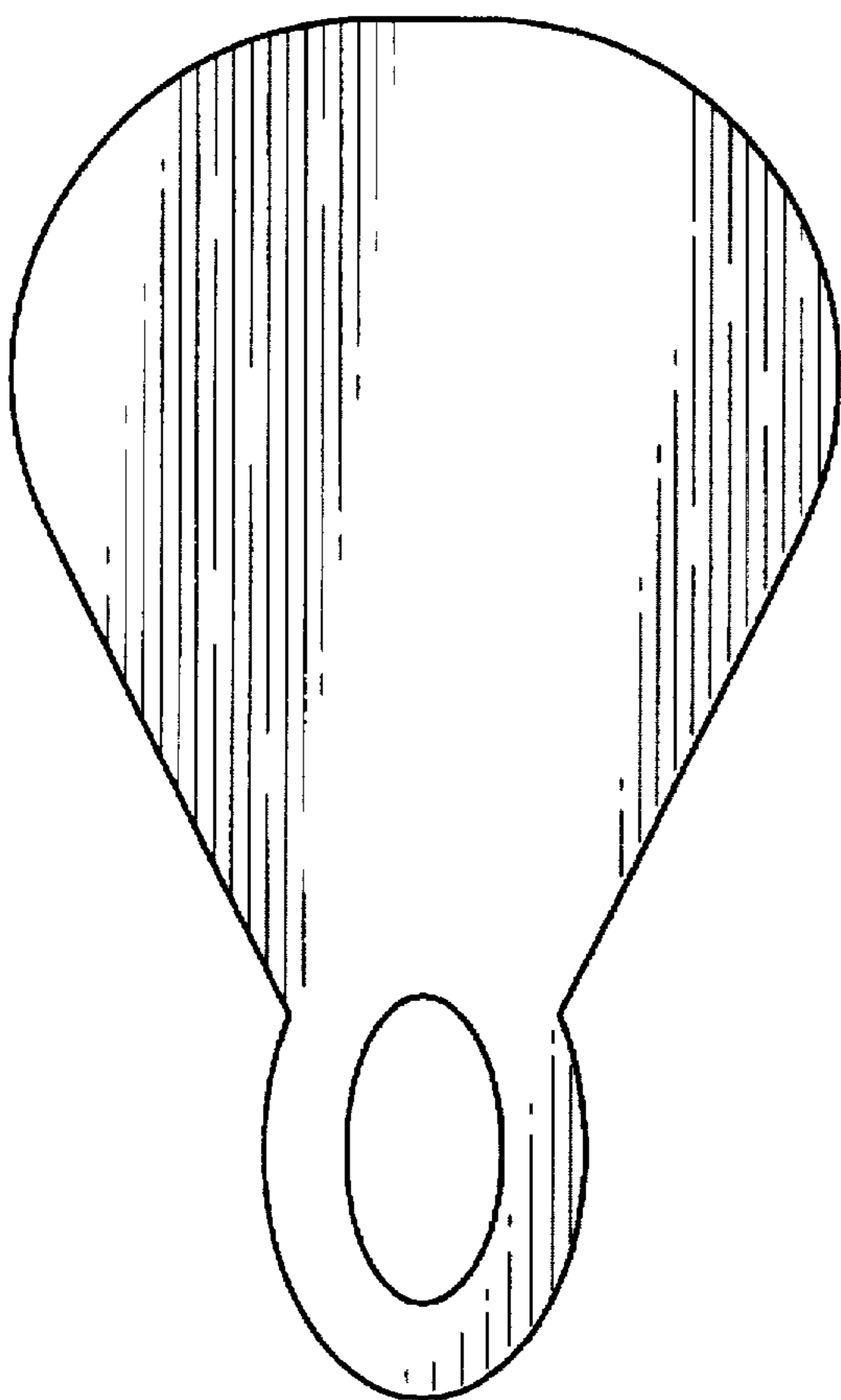


Fig. 21



Fig. 22

