



US00D391040S

United States Patent [19]
Berke

[11] **Patent Number: Des. 391,040**
[45] **Date of Patent: **Feb. 24, 1998**

[54] **INTERCONNECTING DETACHABLE
EXTENDED VISION OPTICAL ELEMENTS**

[76] **Inventor: Joseph J. Berke, 2063 Long Lake
Shore, West Bloomfield, Mich. 48323**

[**] **Term: 14 Years**

[21] **Appl. No.: 58,039**

[22] **Filed: Aug. 6, 1996**

[51] **LOC (6) Cl. 02-03**

[52] **U.S. Cl. D2/891; D2/865; D2/866;
D16/304**

[58] **Field of Search D2/865, 866, 891;
2/10, 12, 13; D16/304, 310, 340; D29/103,
104; 351/41, 44, 47-48, 51-52**

[56] **References Cited**

U.S. PATENT DOCUMENTS

D. 364,033 11/1995 Romano D2/865 X
D. 377,364 1/1997 Dinges D16/304

694,449	3/1902	Waldron	2/10
700,587	5/1902	Waldron	2/10
1,504,344	8/1924	Hennigh	2/10 X
2,717,385	9/1955	Linster	2/10
3,820,164	6/1974	Kiebalá	2/10
5,533,207	7/1996	Diaz	2/10

Primary Examiner—Paula A. Mortimer

[57] **CLAIM**

The ornamental design for interconnecting detachable extended vision optical elements, as shown and described.

DESCRIPTION

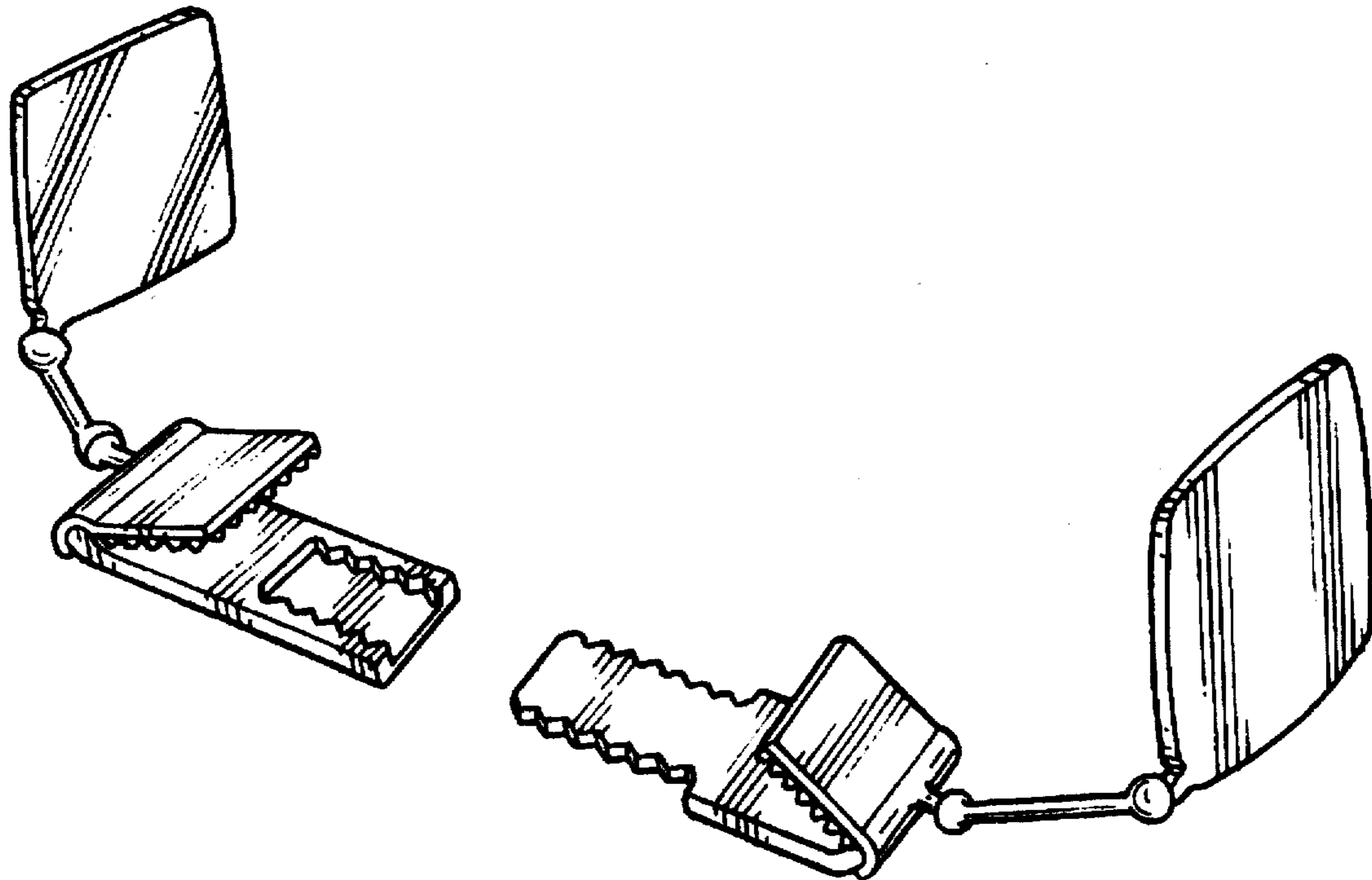
FIG. 1 is an exploded front perspective view of an interconnecting detachable extended vision optical element showing my new design;

FIG. 2 is a front perspective view thereof, the broken line showing of the baseball cap is for illustrative purposes only and forms no part of the claimed design;

FIG. 3 is a front perspective view thereof; and,

FIG. 4 is a front perspective view in an alternate position.

1 Claim, 2 Drawing Sheets



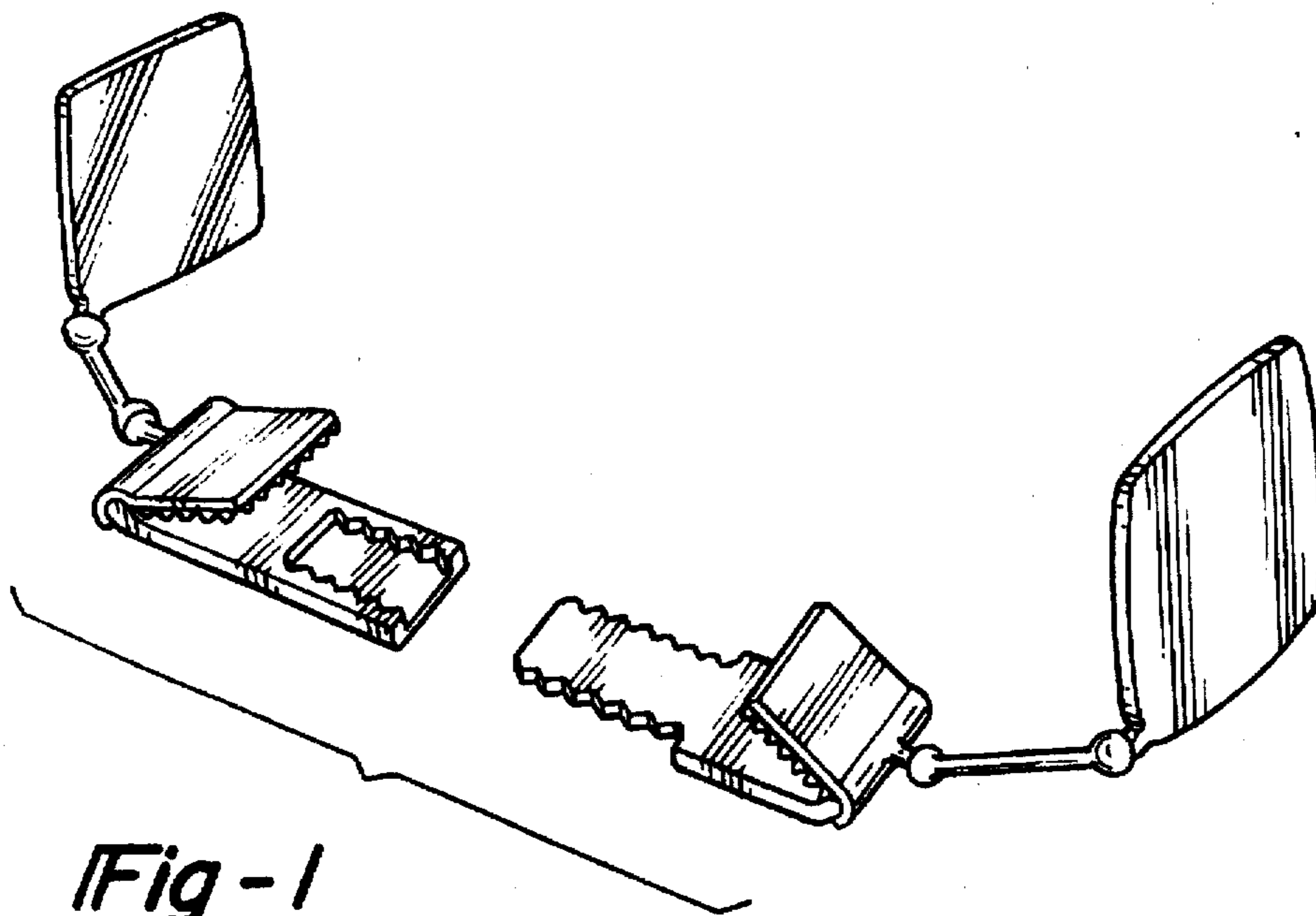


Fig - 1

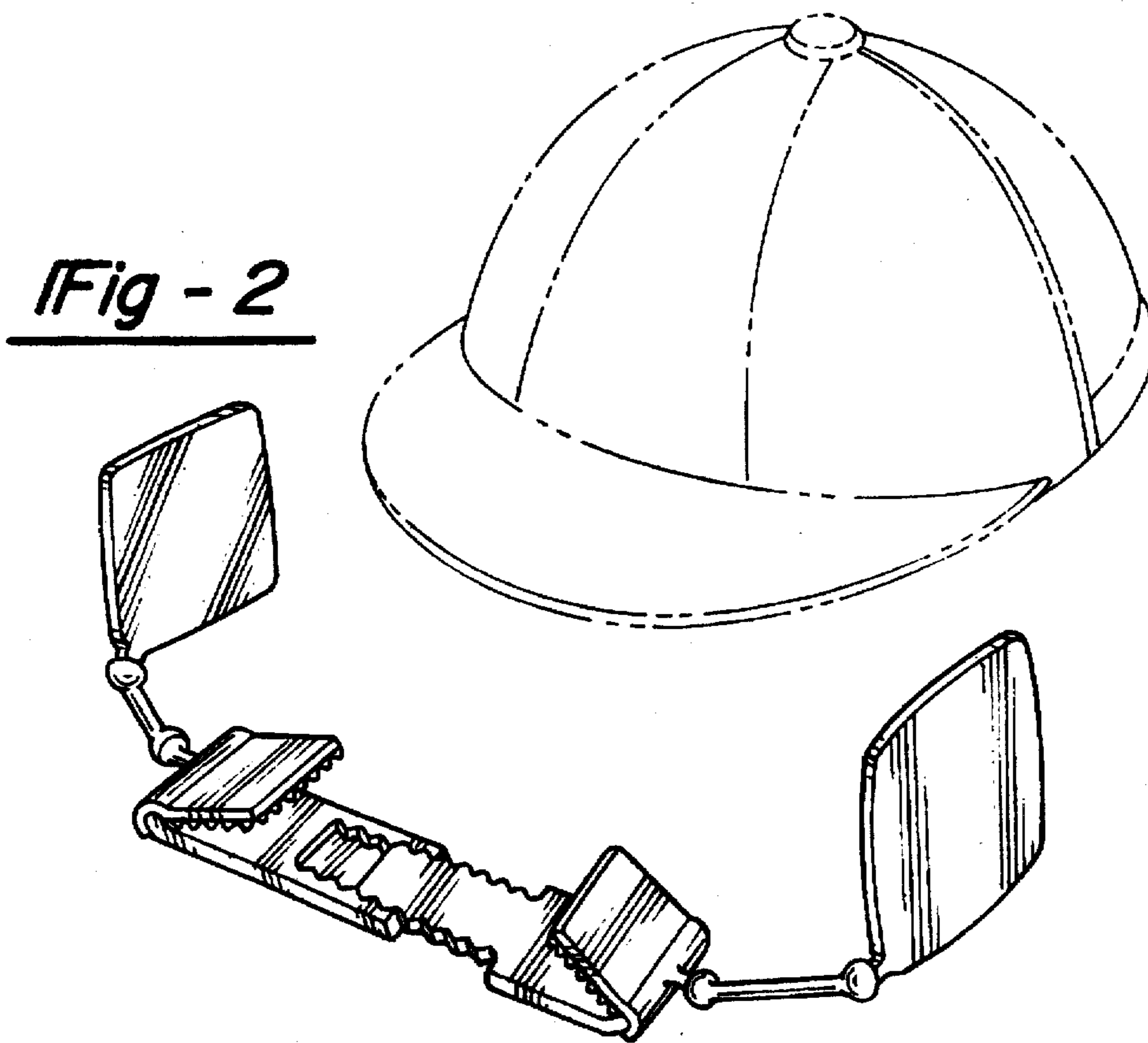


Fig - 2

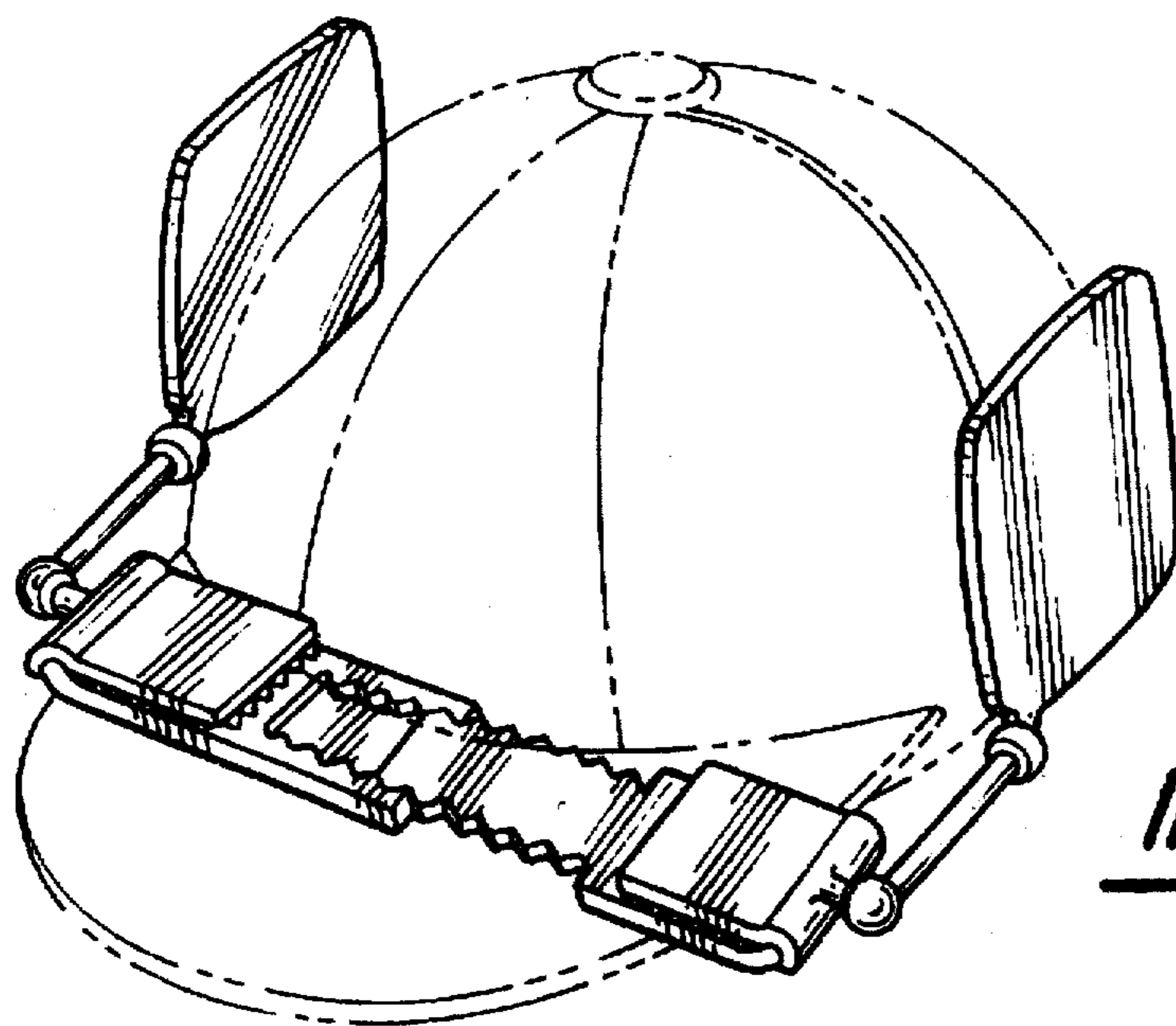


Fig - 3

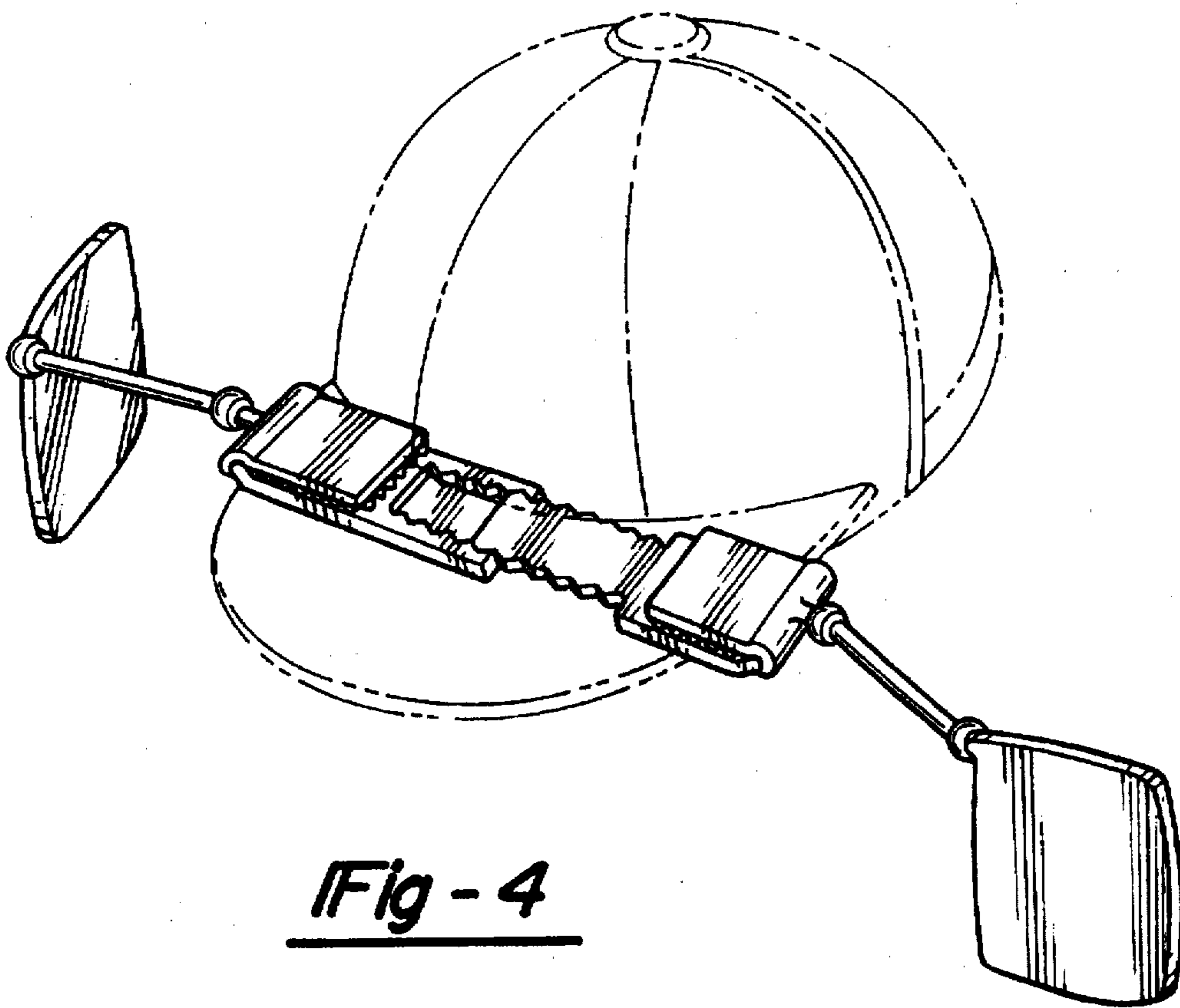


Fig - 4