



US00D391039S

**United States Patent** [19]  
**Mongeon**

[11] **Patent Number:** **Des. 391,039**  
[45] **Date of Patent:** **\*\*Feb. 24, 1998**

[54] **NOVELTY HEADGEAR**

[75] **Inventor:** **Claude E. Mongeon**, North Kingstown, R.I.

[73] **Assignee:** **Chowda Hedz, Inc.**, Warwick, R.I.

[\*\*] **Term:** **14 Years**

[21] **Appl. No.:** **66,228**

[22] **Filed:** **Feb. 7, 1997**

[51] **LOC (6) Cl.** ..... **02-03**

[52] **U.S. Cl.** ..... **D2/869; D7/507**

[58] **Field of Search** ..... **D2/869, 865, 870, D2/872; 2/195.1, 171.1, 181; D7/507; D24/220**

[56] **References Cited**

**U.S. PATENT DOCUMENTS**

D. 29,006	7/1898	Elkhardt	.....	D2/869
D. 56,990	1/1921	Place	.....	D2/869
D. 74,209	1/1928	Yatos	.....	D2/869
D. 80,778	3/1930	Cash	.....	D2/869
D. 173,109	9/1954	Hill	.....	D2/869
D. 180,729	8/1957	Ellman	.....	D2/869
D. 180,942	9/1957	Florida	.....	D2/869
D. 231,923	6/1974	Johnsrud	.....	D24/220
D. 280,946	10/1985	Rutyna et al.	.....	D2/872
4,095,716	6/1978	Meany	.....	D7/507 X
4,991,235	2/1991	Warner	.....	2/171.1

*Primary Examiner*—Paula A. Mortimer  
*Attorney, Agent, or Firm*—Salter & Michaelson

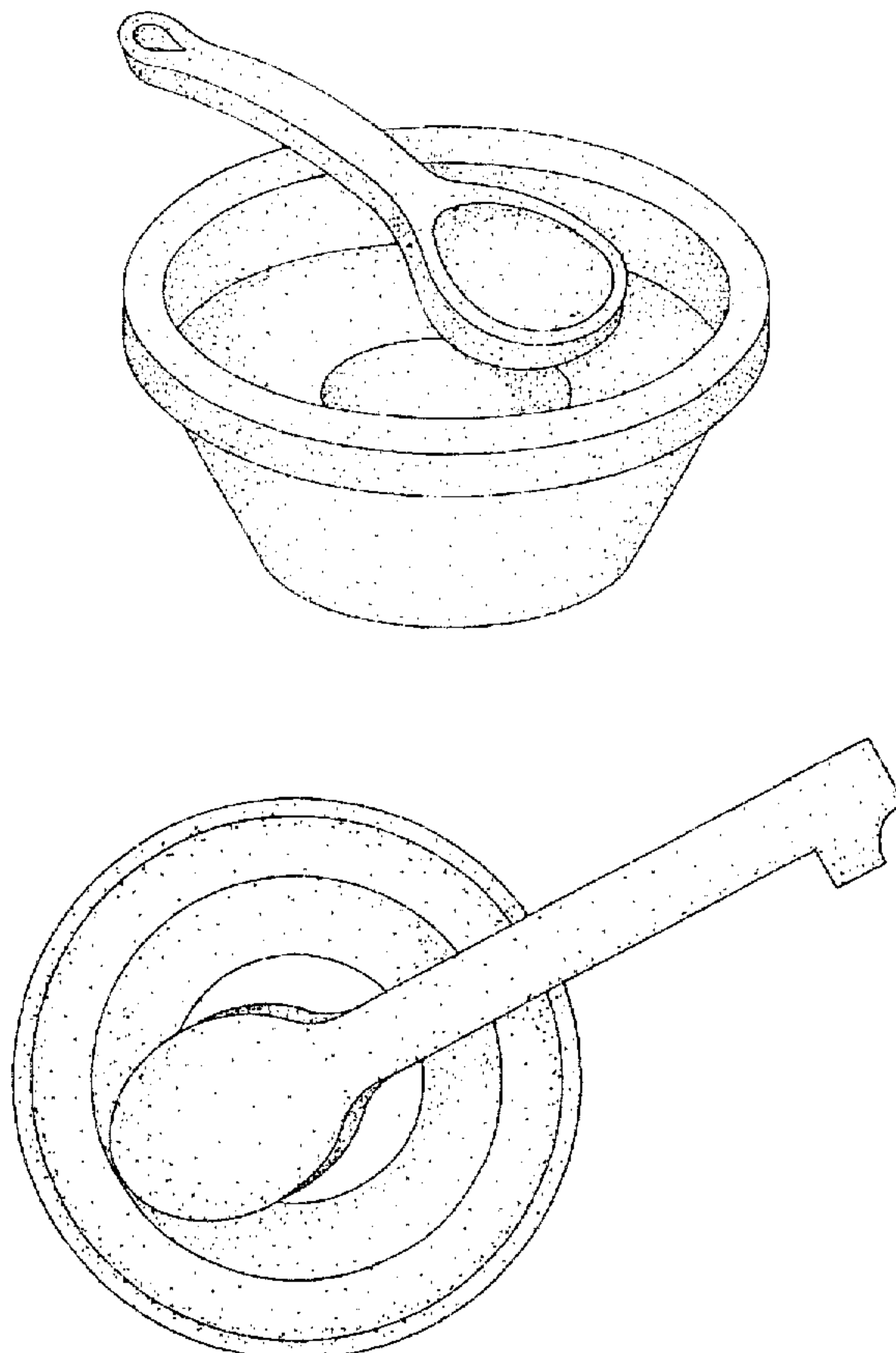
[57] **CLAIM**

The ornamental design for a novelty headgear, as shown and described.

**DESCRIPTION**

FIG. 1 is a perspective view of a novelty headgear showing my new design;  
 FIG. 2 is a front elevational view thereof;  
 FIG. 3 is a rear elevational view thereof;  
 FIG. 4 is a top plan view thereof;  
 FIG. 5 is a bottom plan view thereof;  
 FIG. 6 is a right side elevational view thereof;  
 FIG. 7 is a left side elevational view thereof;  
 FIG. 8 is an exploded front perspective view of a novelty headgear thereof;  
 FIG. 9 is a front elevational view thereof, the broken line showing of the human form is for illustrative purposes only and forms no part of the claimed design;  
 FIG. 10 is a top plan view of a second embodiment of novelty headgear showing my new design;  
 FIG. 11 is a bottom plan view thereof;  
 FIG. 12 is a front elevational view thereof;  
 FIG. 13 is a rear elevational view thereof;  
 FIG. 14 is a left side elevational view thereof; and  
 FIG. 15 is a right side elevational view thereof.

**1 Claim, 7 Drawing Sheets**



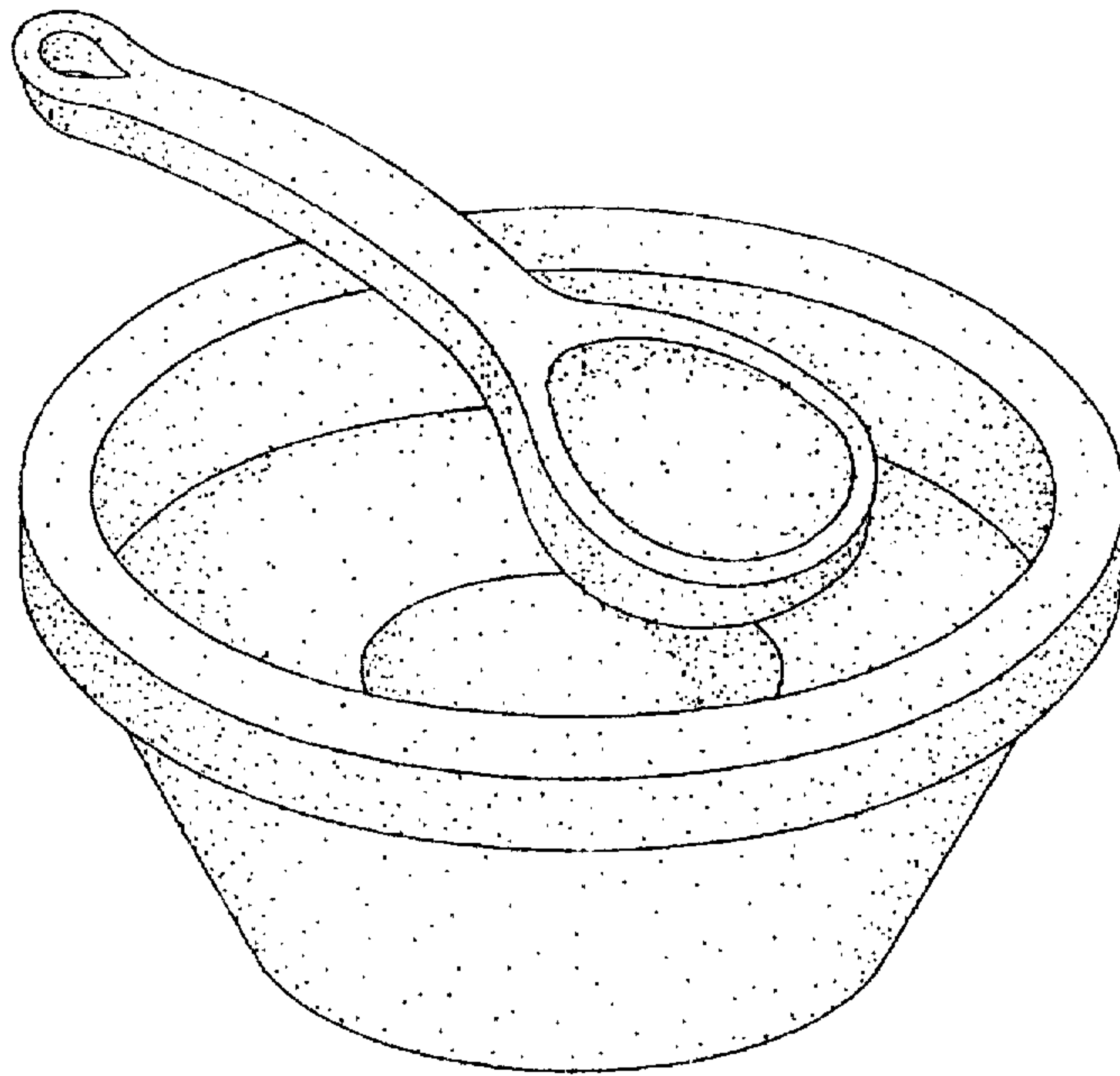


FIG. 1

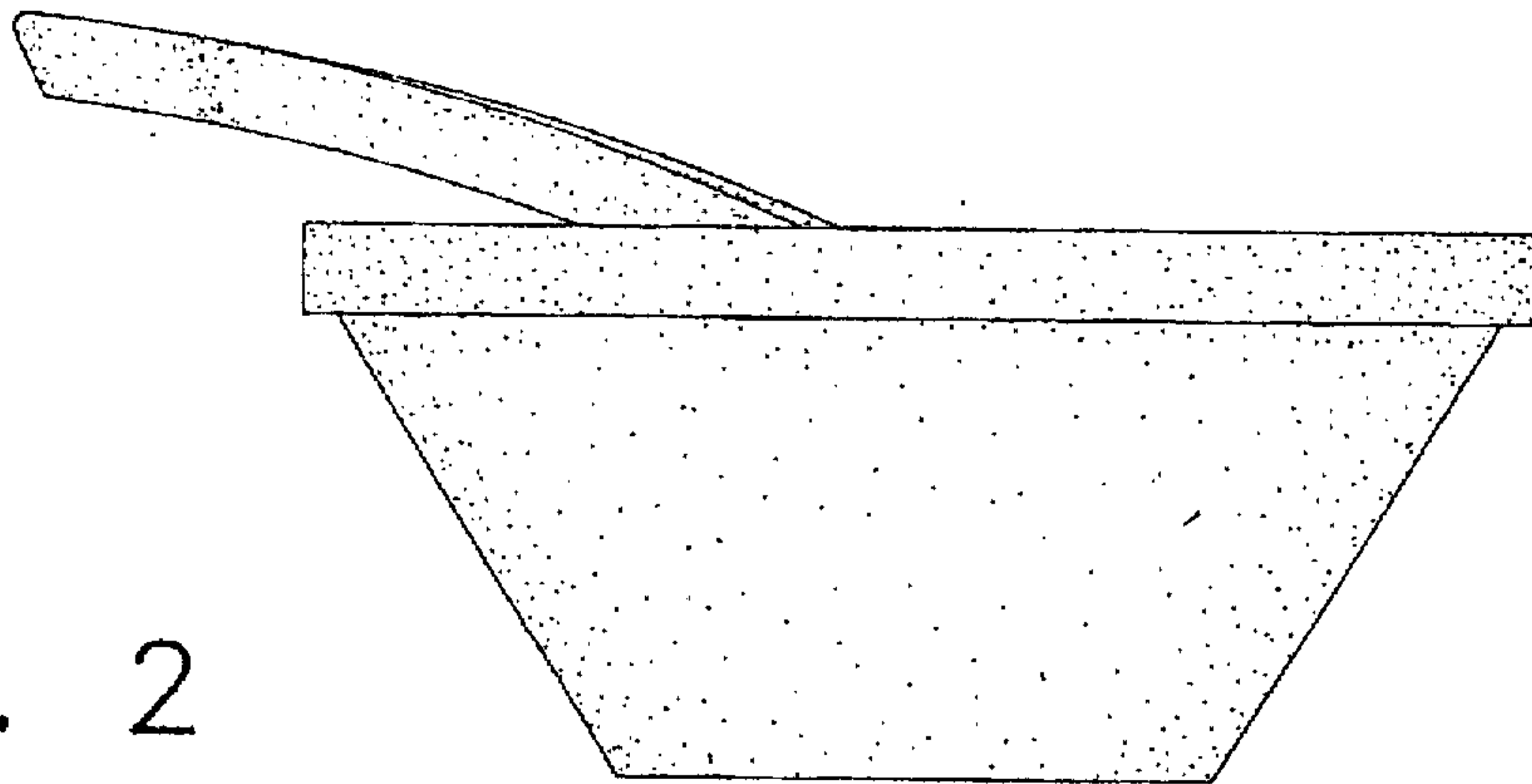


FIG. 2

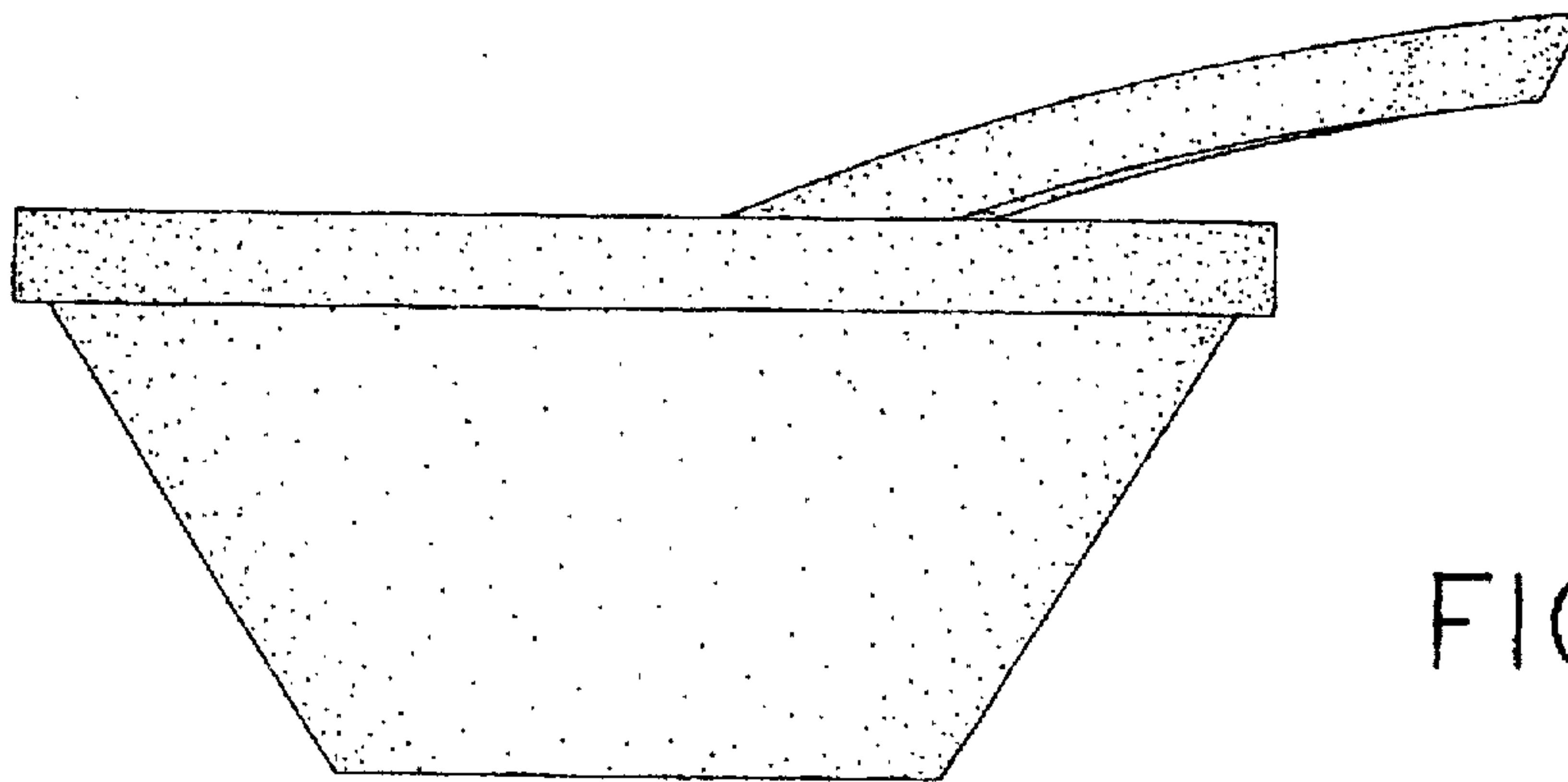


FIG. 3

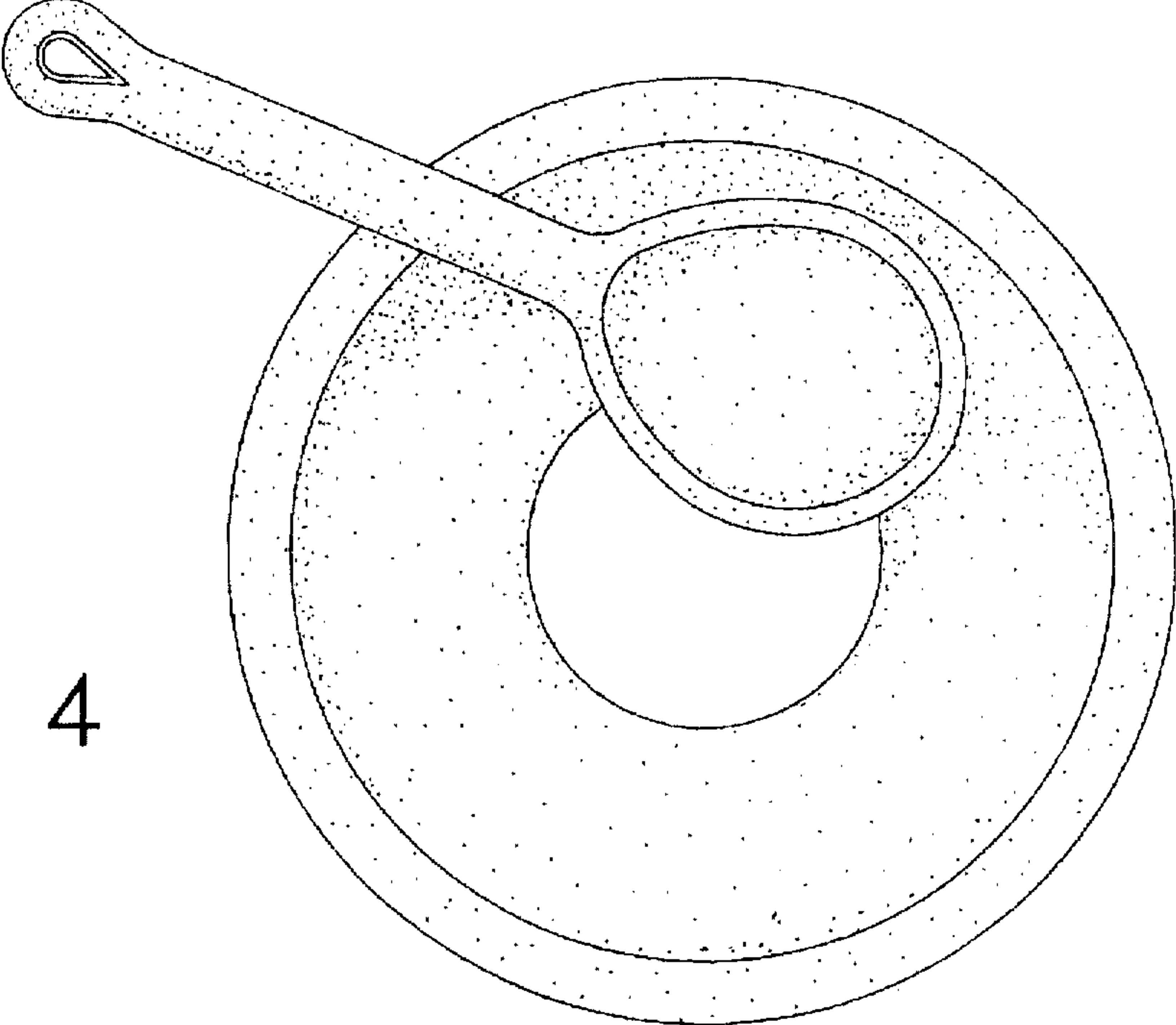


FIG. 4

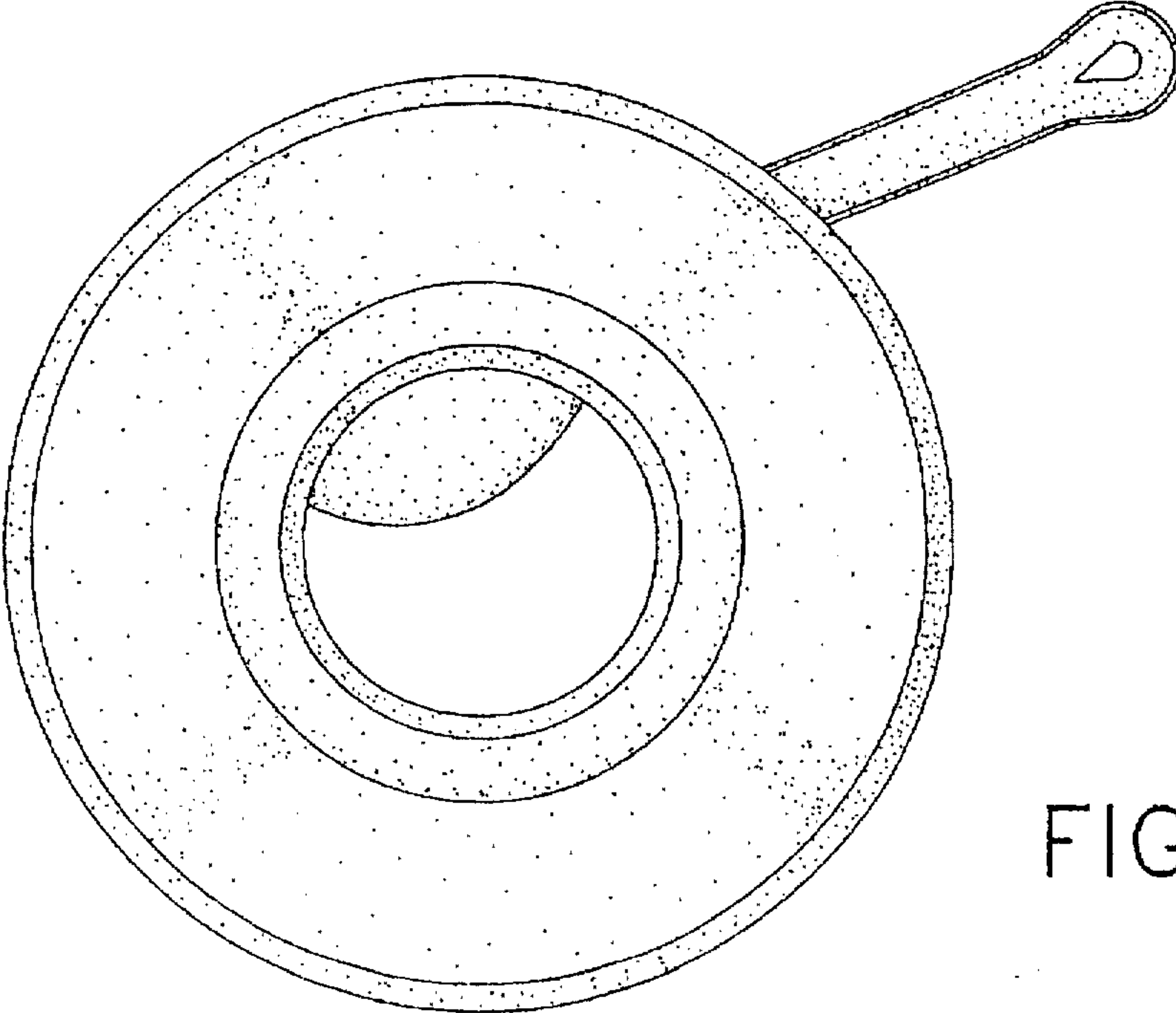


FIG. 5

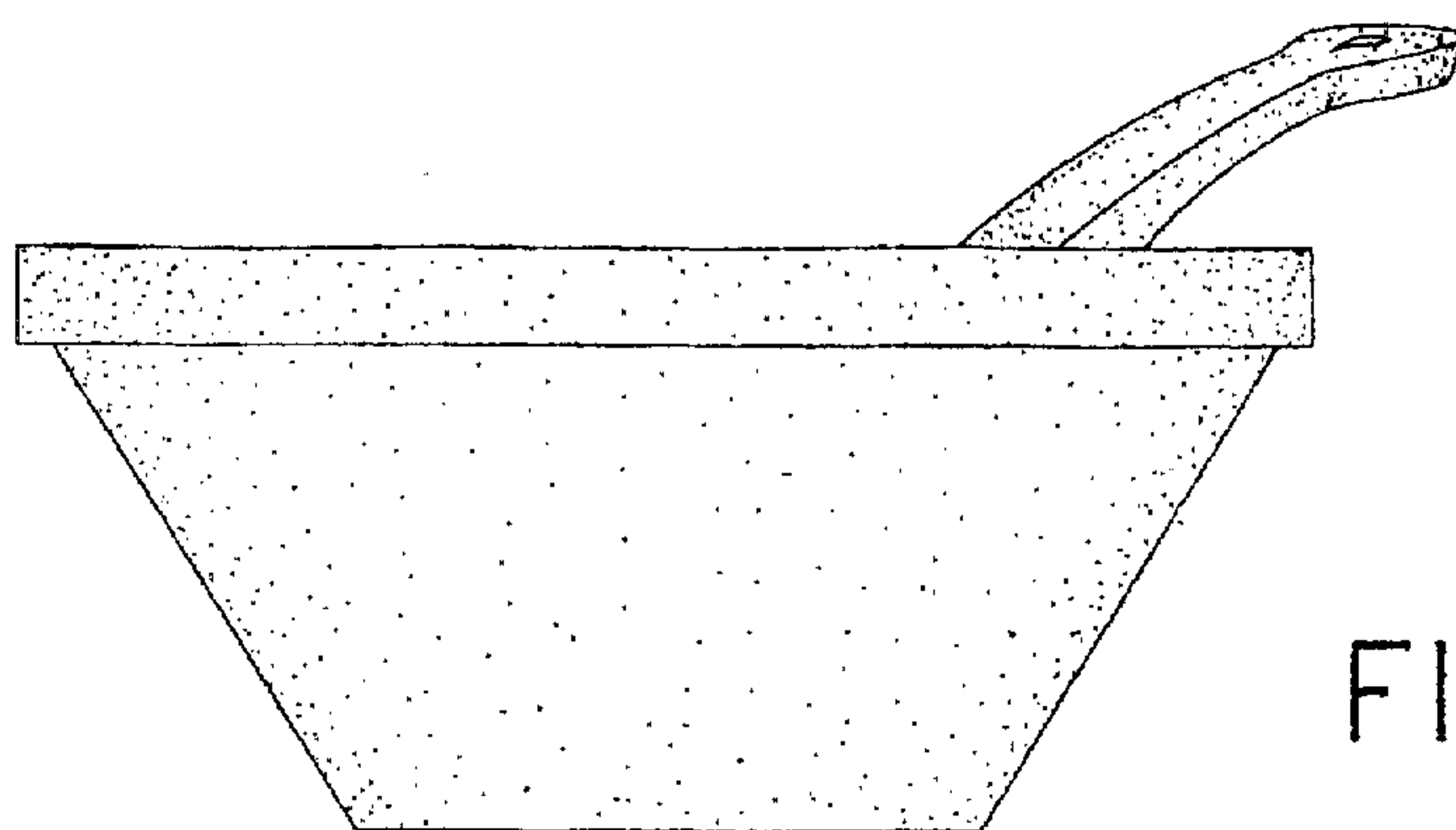


FIG. 6

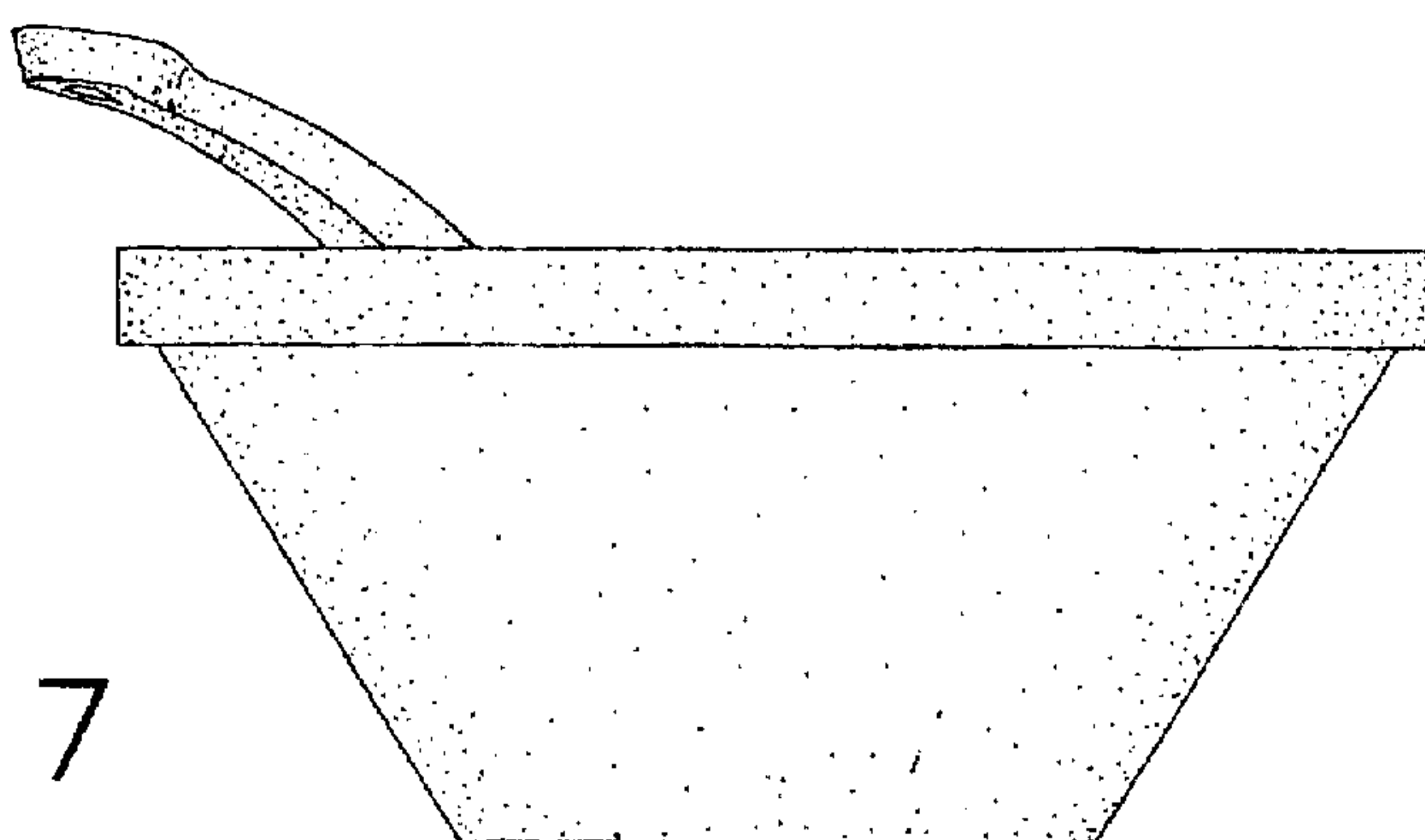


FIG. 7

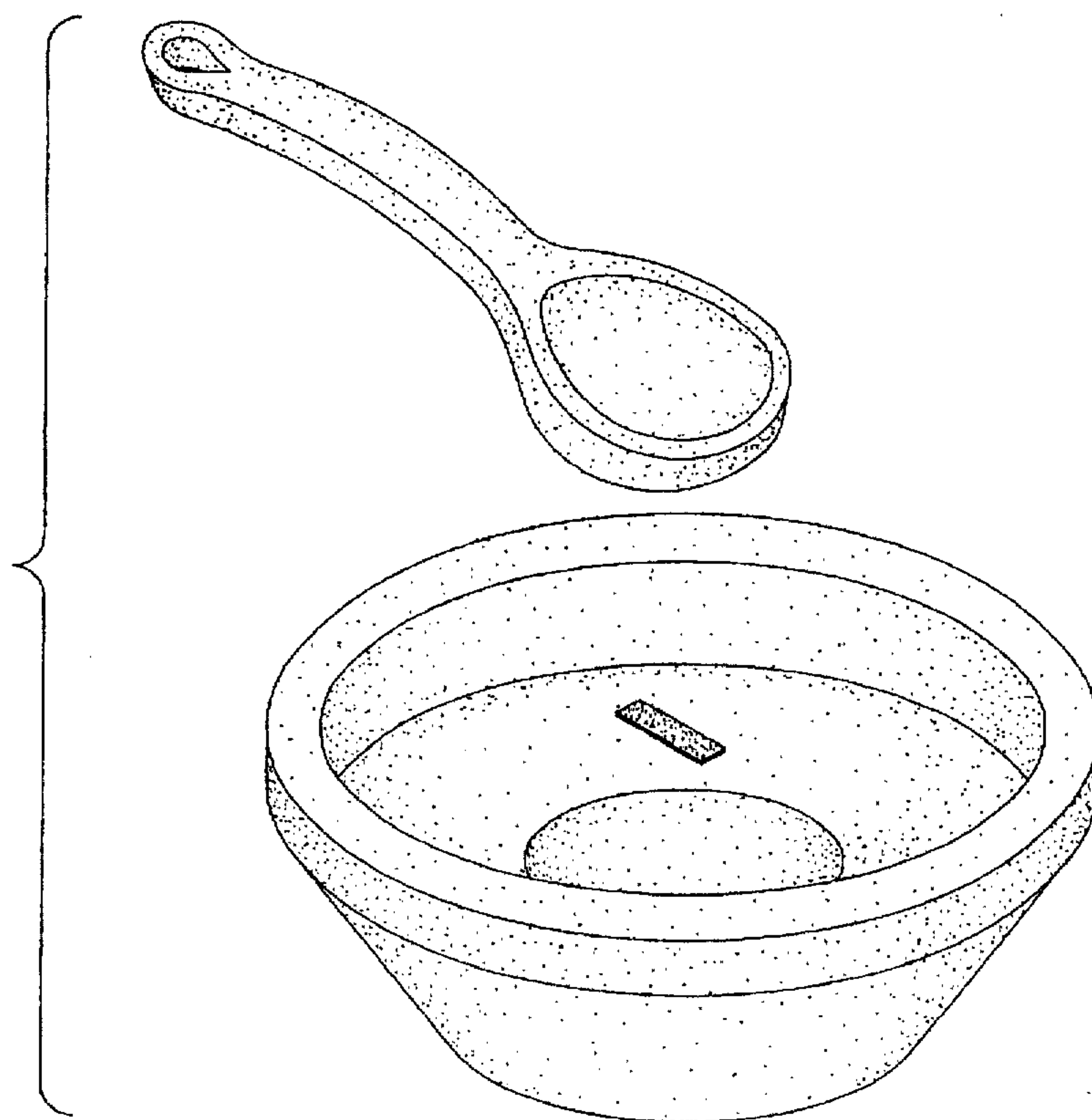


FIG. 8



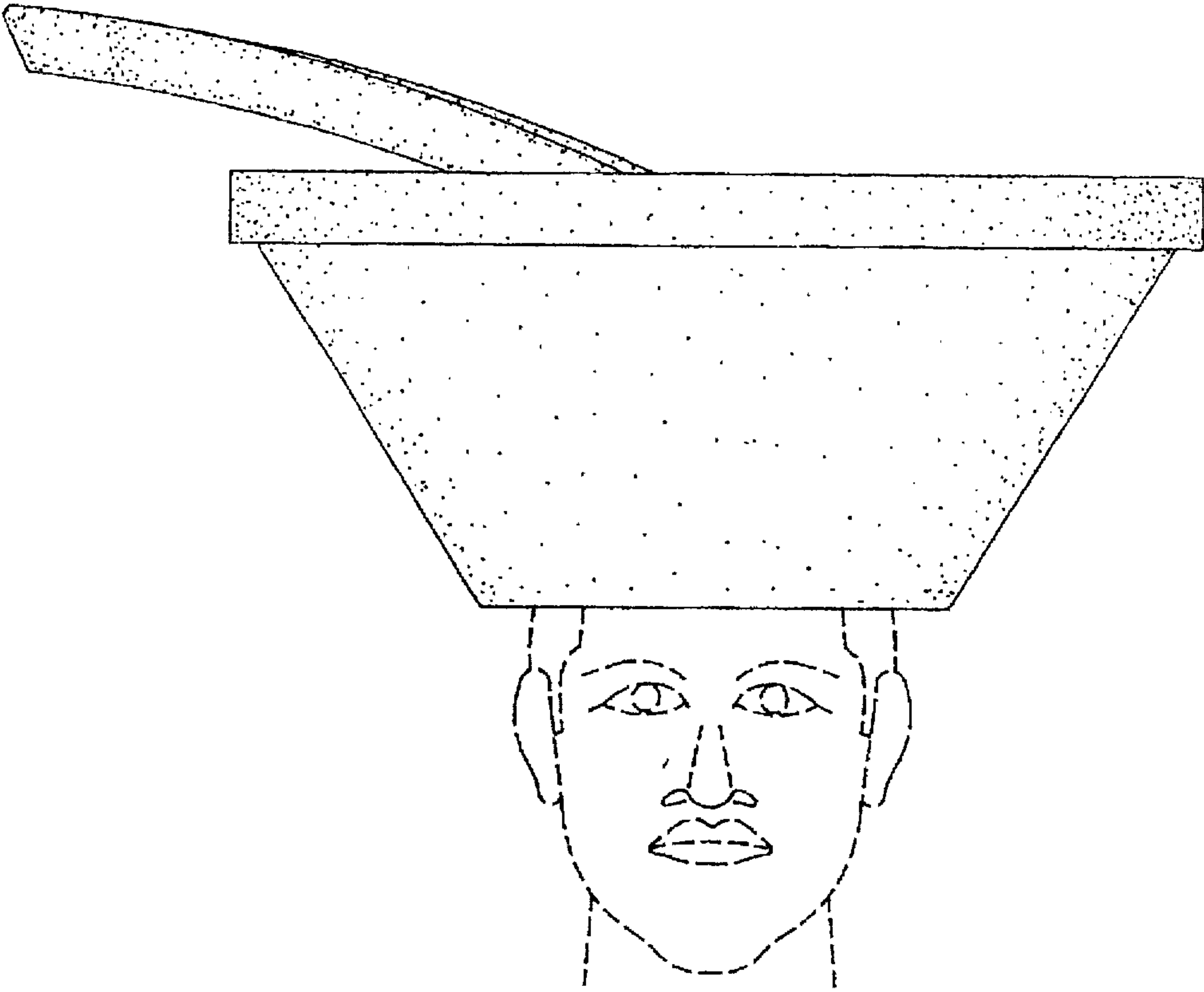


FIG. 9

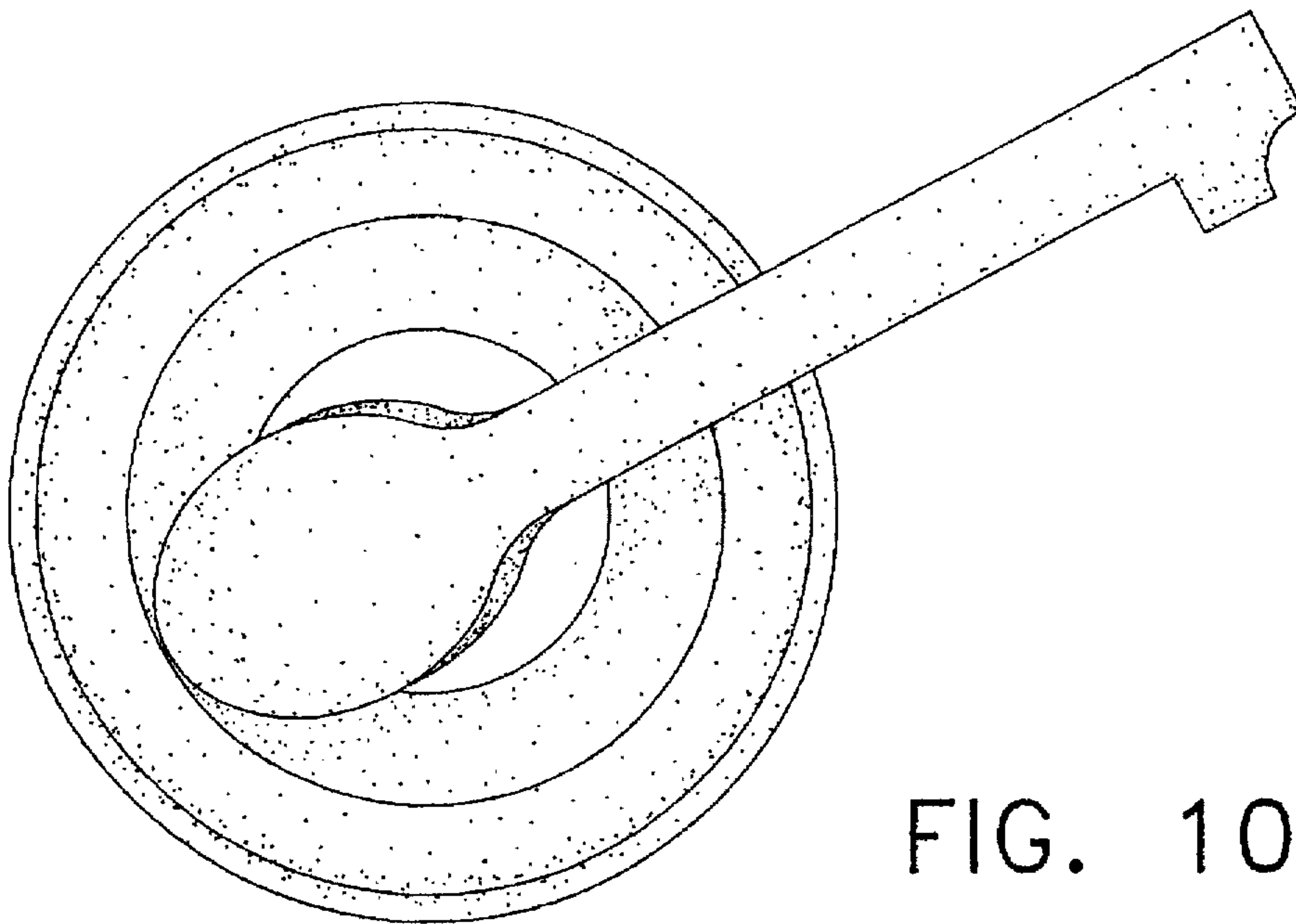


FIG. 10

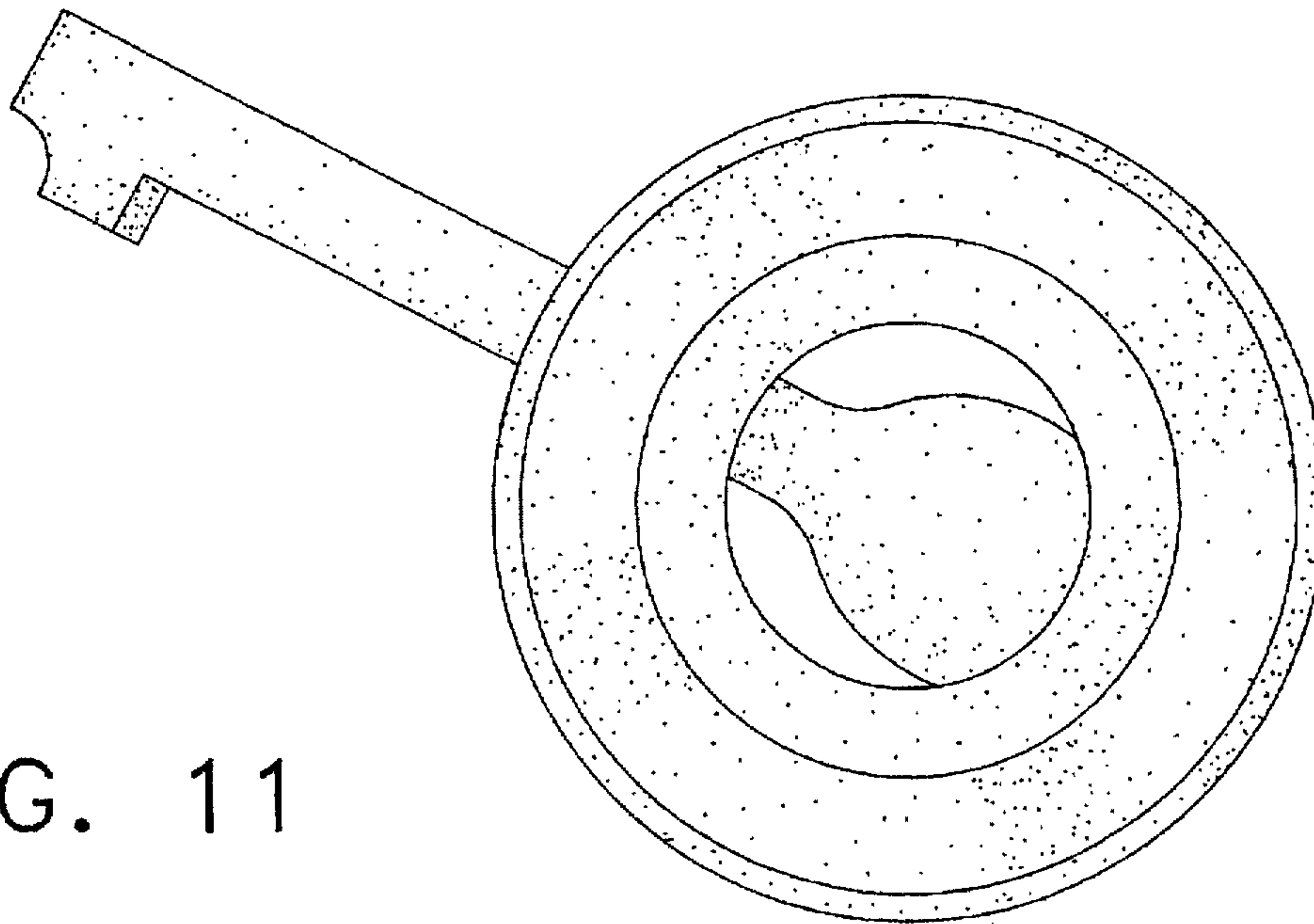


FIG. 11

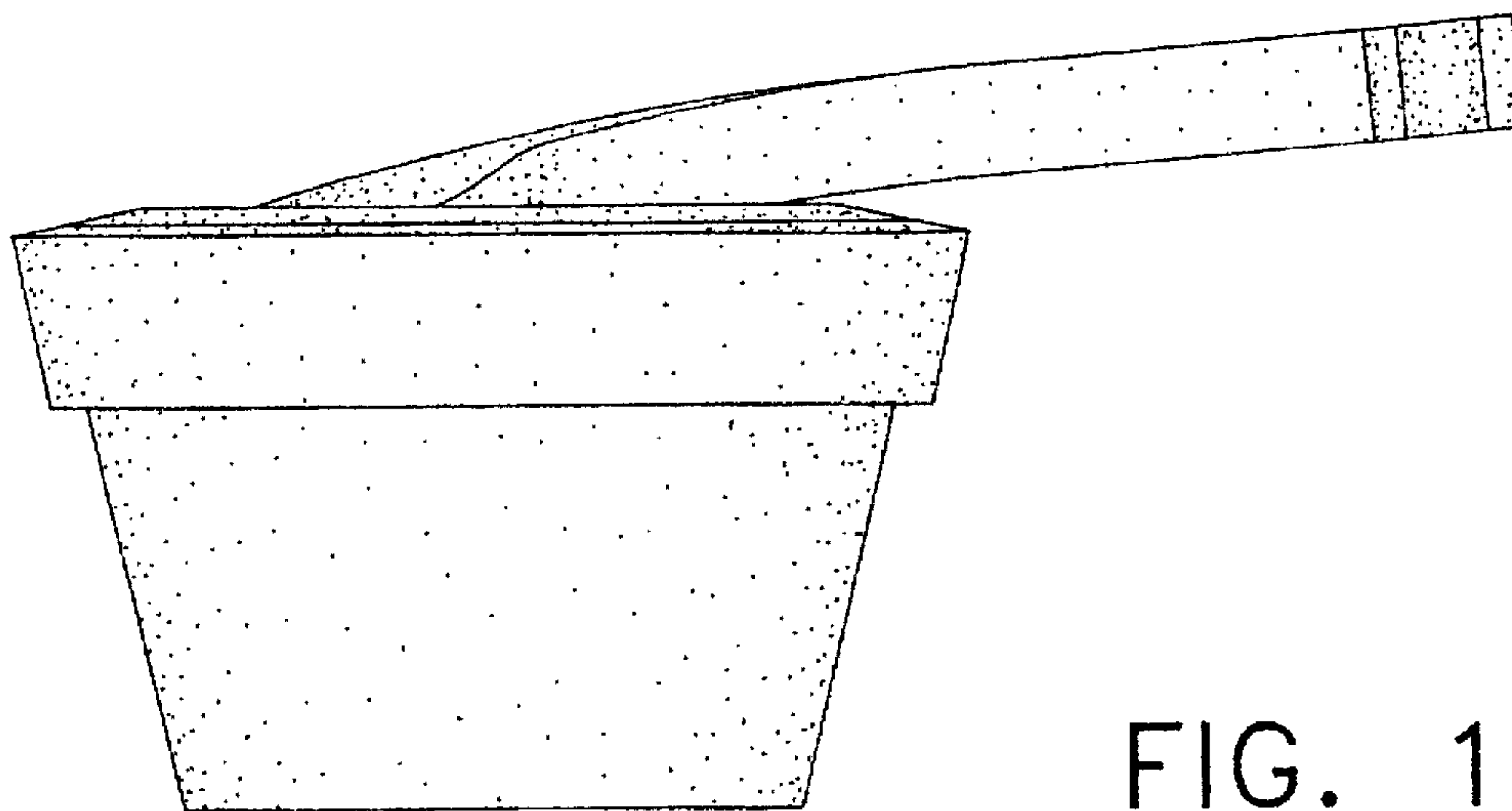


FIG. 12

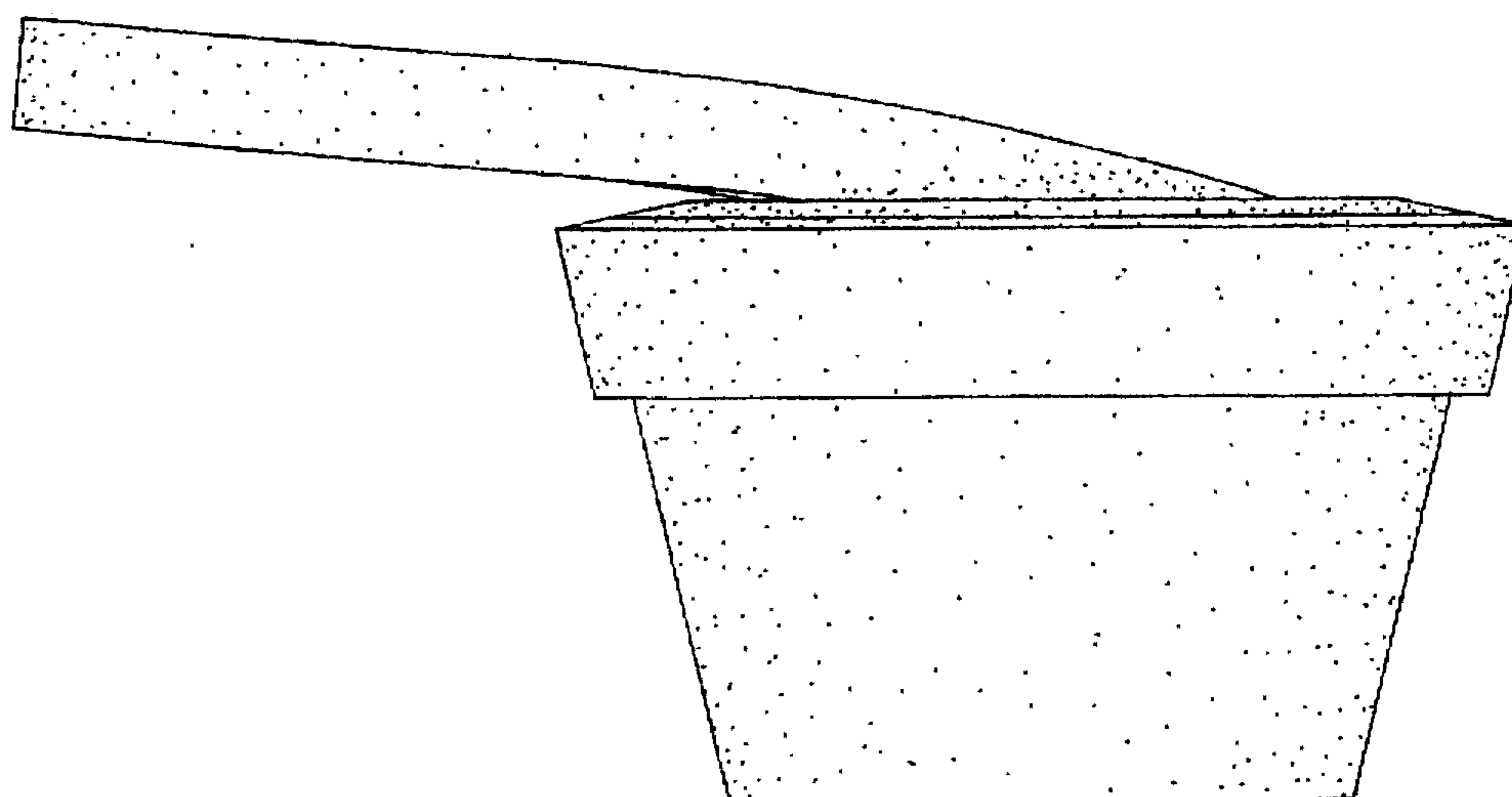


FIG. 13

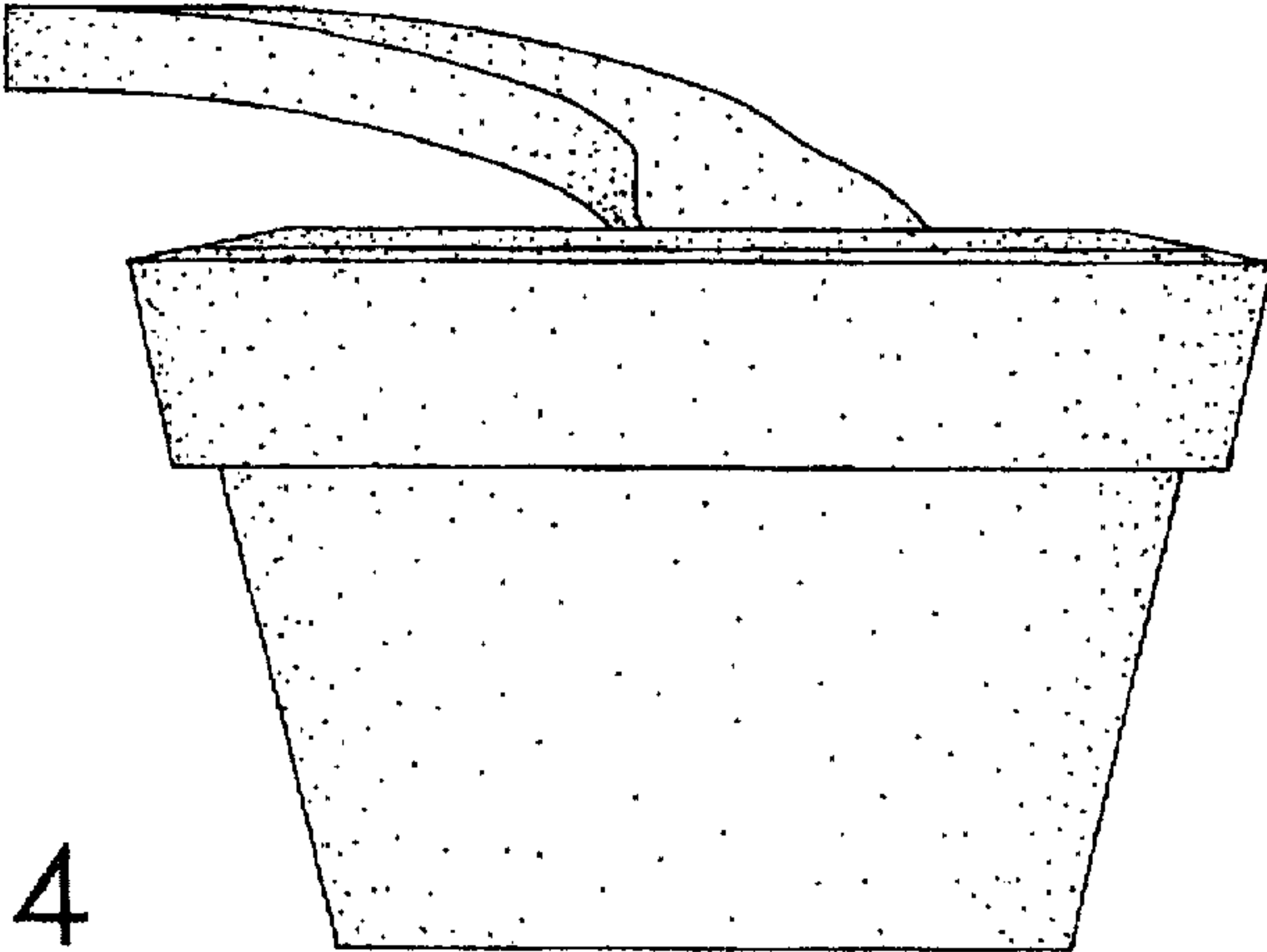


FIG. 14

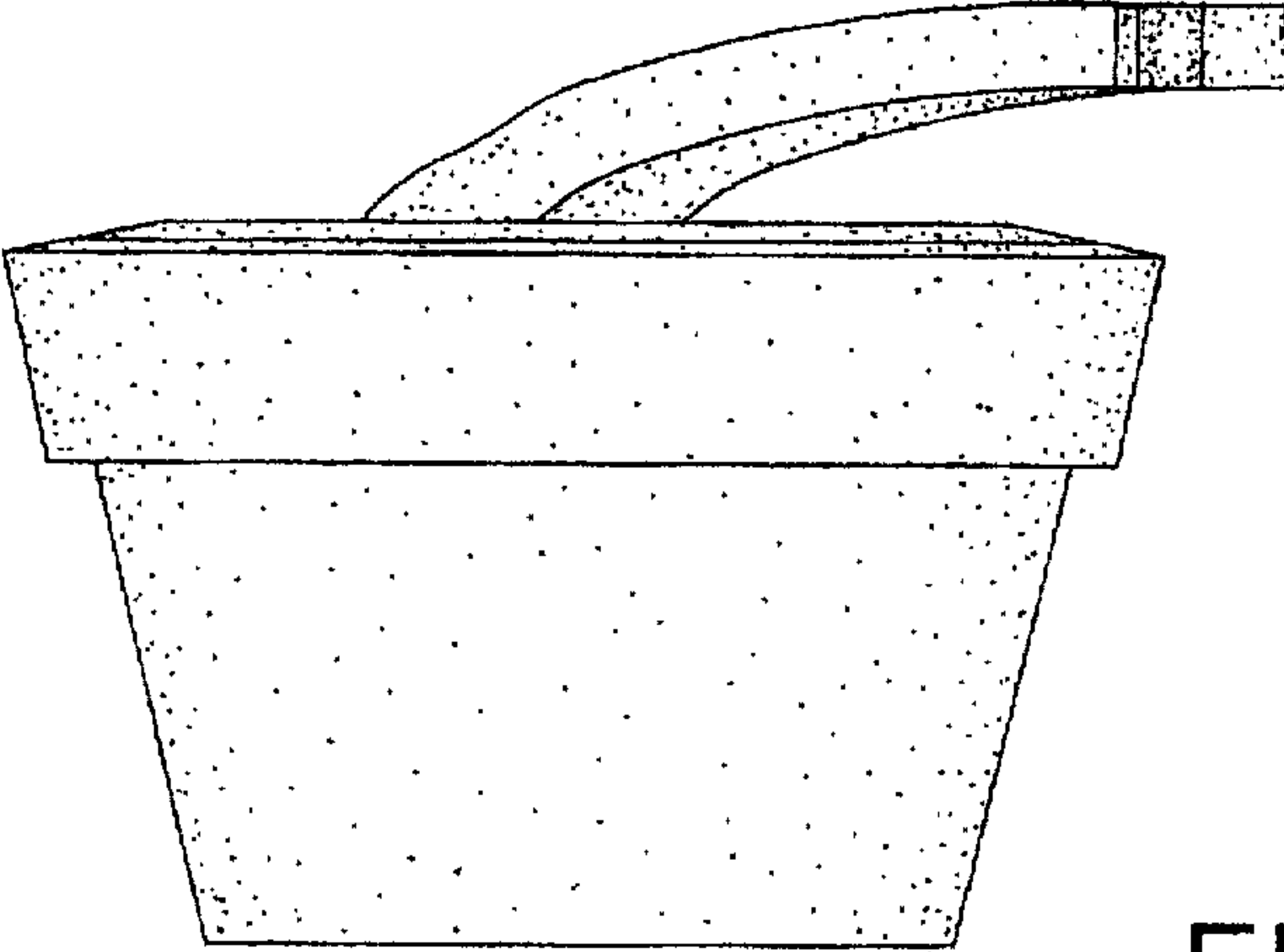


FIG. 15