



US00D391036S

United States Patent [19] Sotile

[11] Patent Number: **Des. 391,036**
[45] Date of Patent: ****Feb. 24, 1998**

[54] **ICE CREAM HOLDER**

[76] Inventor: **Robert C. Sotile**, 1290 Clover St.,
Rochester, N.Y. 14618

[**] Term: **14 Years**

[21] Appl. No.: **68,787**

[22] Filed: **Mar. 7, 1997**

D. 328,356	7/1992	Wokeck	D1/116 X
D. 340,343	10/1993	Rizikow	D1/116 X
1,607,664	11/1926	Carpenter	426/132 X
1,920,995	8/1933	Legge	426/132 X
2,803,550	8/1957	Ackalusky	D1/102 X
2,948,452	8/1960	Grogan et al.	D1/102 X
4,226,355	10/1980	Helfrich, Jr.	426/132 X

Primary Examiner—Pamela J. Burgess
Attorney, Agent, or Firm—Shlesinger, Fitzsimmons & Shlesinger

Related U.S. Application Data

[62] Division of Ser. No. 48,095, Dec. 20, 1995, Pat. No. Des. 382,085.

[51] **LOC (6) Cl.** **01-01**

[52] **U.S. Cl.** **D1/105; D7/602**

[58] **Field of Search** D1/101, 102, 103,
D1/105, 116, 118, 122; 426/143, 139, 132,
101, 95, 514; 229/DIG. 7; D7/601, 602,
503, 557

[56] References Cited

U.S. PATENT DOCUMENTS

D. 113,736	3/1939	Franke	D1/118
D. 291,620	9/1987	Porchia	D1/105
D. 317,222	6/1991	Dodge	D1/102

[57] CLAIM

The ornamental design for an ice cream holder, as shown and described.

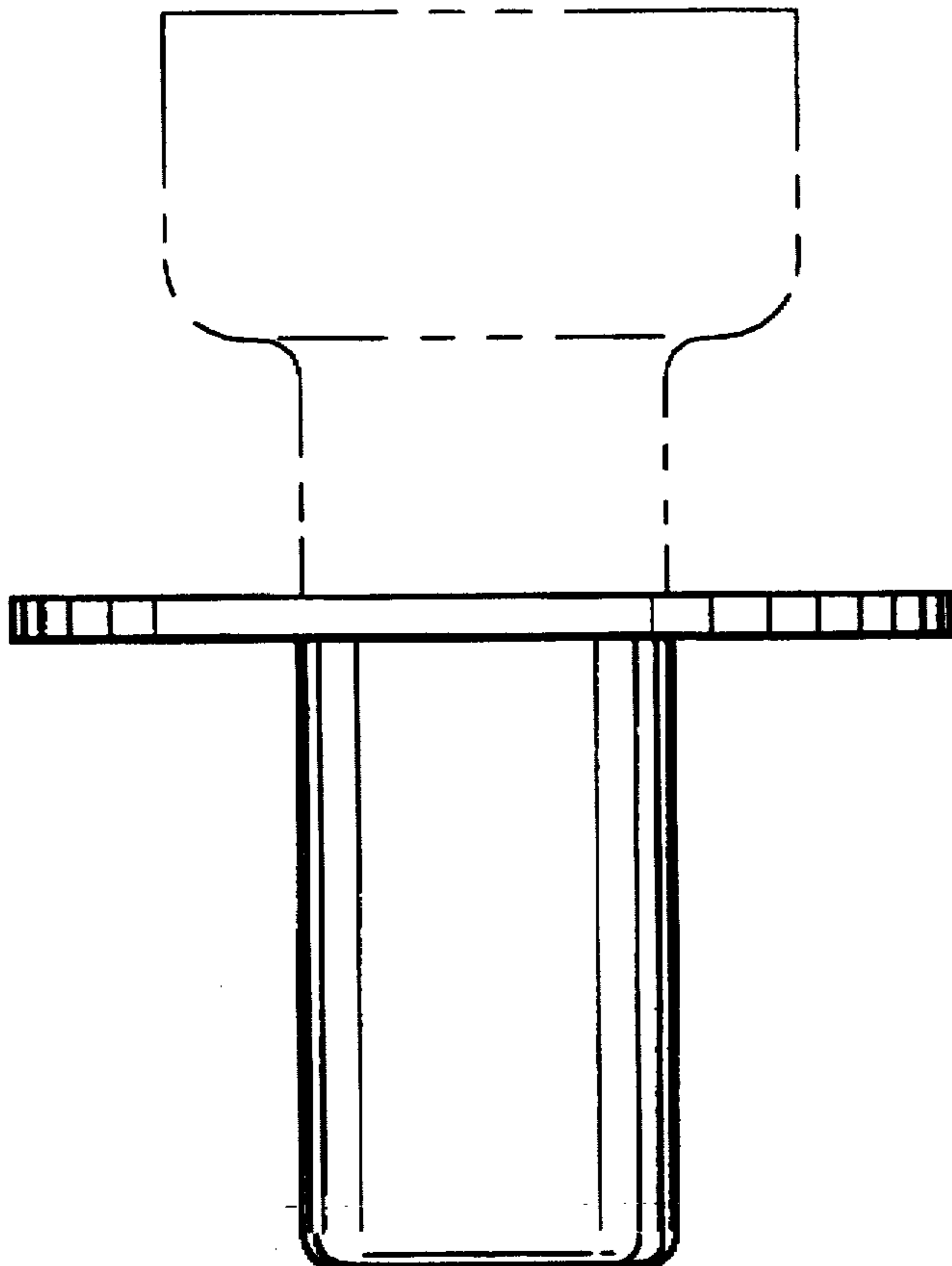
DESCRIPTION

FIG. 1 is a top plan view of an ice cream holder showing my new design, it being understood that the undisclosed bottom of the horizontal surfaces are flat and unornamented;

FIG. 2 is a side elevational view thereof, the broken undisclosed sides being the same and the broken lines shown are for illustrative purposes only, forming no part of the claimed design; and,

FIG. 3 is a top perspective view thereof.

1 Claim, 1 Drawing Sheet



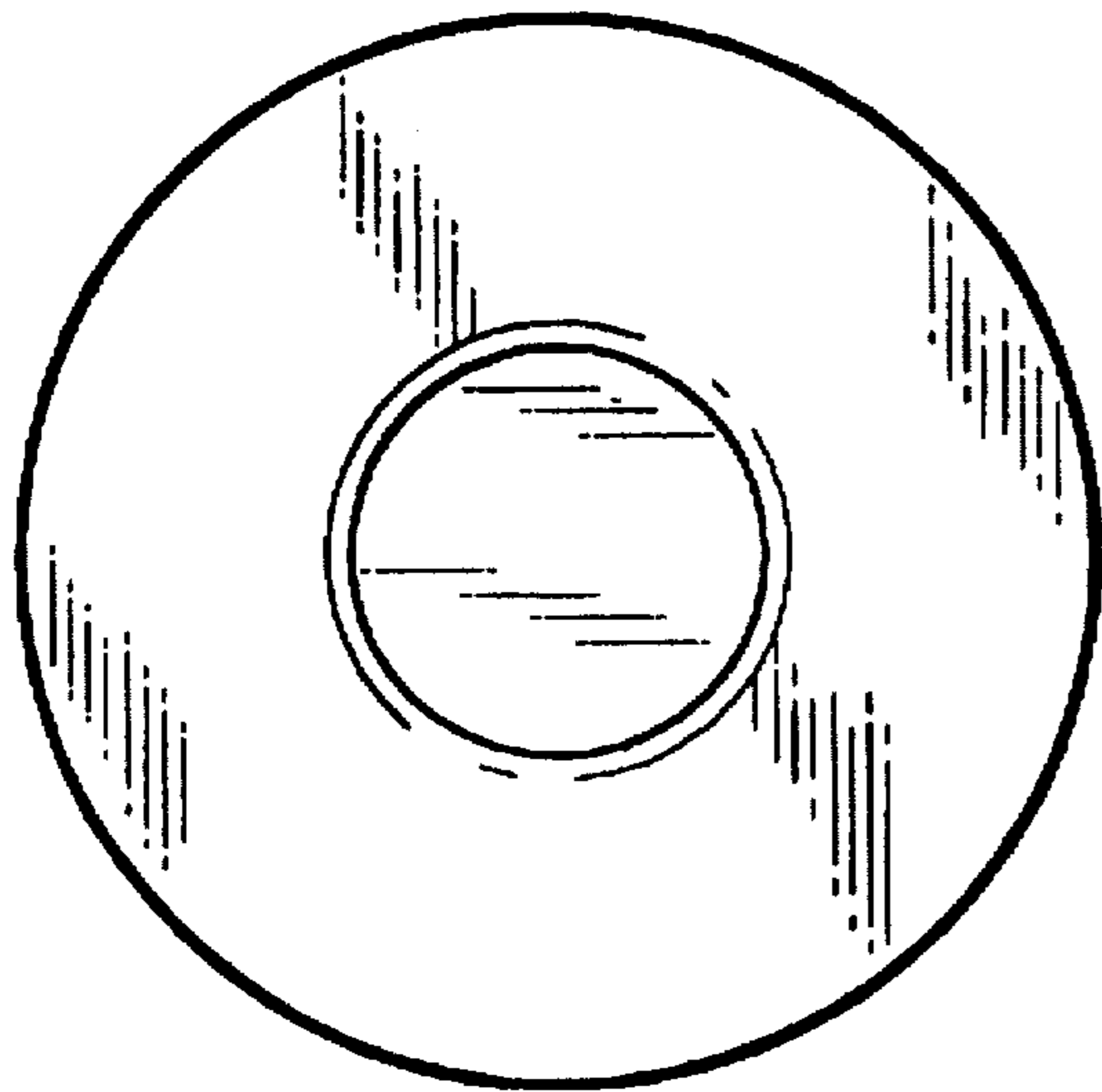


FIG. 1

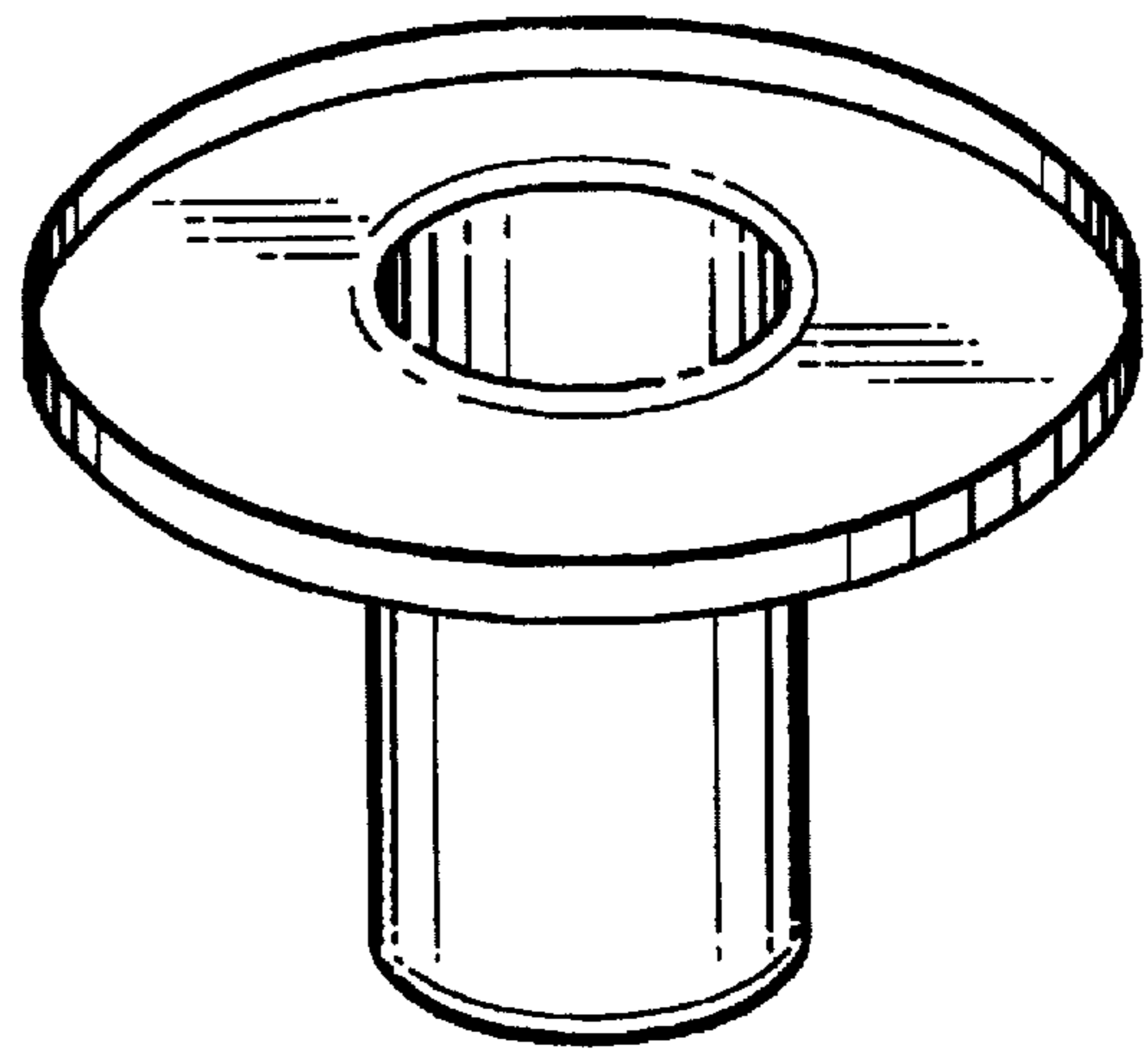


FIG. 3

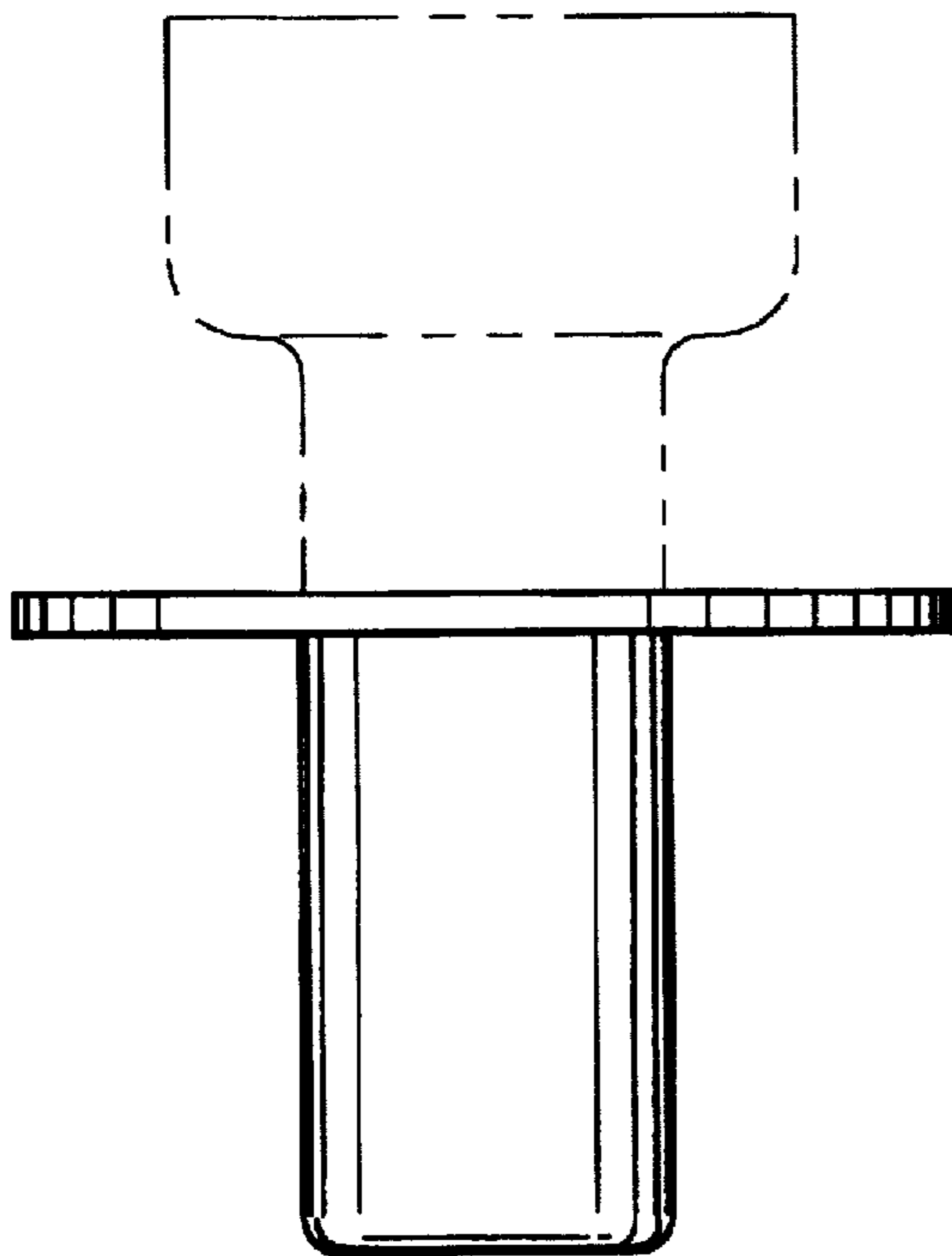


FIG. 2