



US00D391035S

United States Patent [19]
Dontje

[11] **Patent Number: Des. 391,035**
[45] **Date of Patent: **Feb. 24, 1998**

[54] **CHOCOLATE CUP WITH HOLDER**

[75] **Inventor: Arthur Dontje, Se Heerhugowaard, Netherlands**

[73] **Assignee: Mega Chocolate N.V., Curacao, Netherlands Antilles**

[**] **Term: 14 Years**

[21] **Appl. No.: 64,877**

[22] **Filed: Jan. 13, 1997**

[30] **Foreign Application Priority Data**

Jul. 5, 1996 [BX] Benelux TM/Des. Off. 72104-01
Jul. 15, 1996 [BX] Benelux TM/Des. Off. 72104-2
Jul. 15, 1996 [BX] Benelux TM/Des. Off. 72104-03

[51] **LOC (6) Cl. 01-01**

[52] **U.S. Cl. D1/102; D9/337**

[58] **Field of Search** D1/102, 116, 117, D1/106, 118, 122, 124, 127, 128, 129, 130; D9/430, 421, 337; 426/90, 100, 101, 104, 138, 135, 143, 144; D7/601, 602, 357, 610; 229/4.5, 400

[56] **References Cited**

U.S. PATENT DOCUMENTS

D. 185,344 6/1959 Bortz D1/127
D. 190,355 5/1961 Meagher D1/102
D. 235,248 6/1975 Bennett D9/430
D. 263,447 3/1982 Brown D9/337

D. 310,285 9/1990 Hillman et al. D1/102
1,073,618 9/1913 Müller 229/400 X
1,510,279 9/1924 Huth et al. 426/138 X
1,717,401 6/1929 Perky 426/144
1,852,830 4/1932 Whitcomb 229/4.5 X
1,878,395 9/1932 Hamwi 426/138
5,002,783 3/1991 Ruiz 426/144 X
5,171,457 12/1992 Acuff et al. 426/83

Primary Examiner—Pamela J. Burgess
Attorney, Agent, or Firm—Donald E. Egan

[57] **CLAIM**

The ornamental design for a combined chocolate cup and holder therefor, as shown and described.

DESCRIPTION

FIG. 1 is a front perspective view of a combined chocolate cup and holder therefor showing my new design, the broken lines are for illustrative purposes only and form no part of the claimed design;

FIG. 2 is a front perspective view of the chocolate cup shown separately for clarity of disclosure, the undisclosed rear perspective view being a mirror image;

FIG. 3 is a front perspective view of the holder shown separately for clarity of disclosure, the undisclosed rear perspective view being a mirror image; and,

FIG. 4 is a side elevational view thereof, taken from the direction of line 4—4 in FIG. 1, the opposite side elevational view being a mirror image.

The undisclosed bottom of the article shown in FIGS. 2 and 3 is understood to be plain and unadorned.

1 Claim, 1 Drawing Sheet

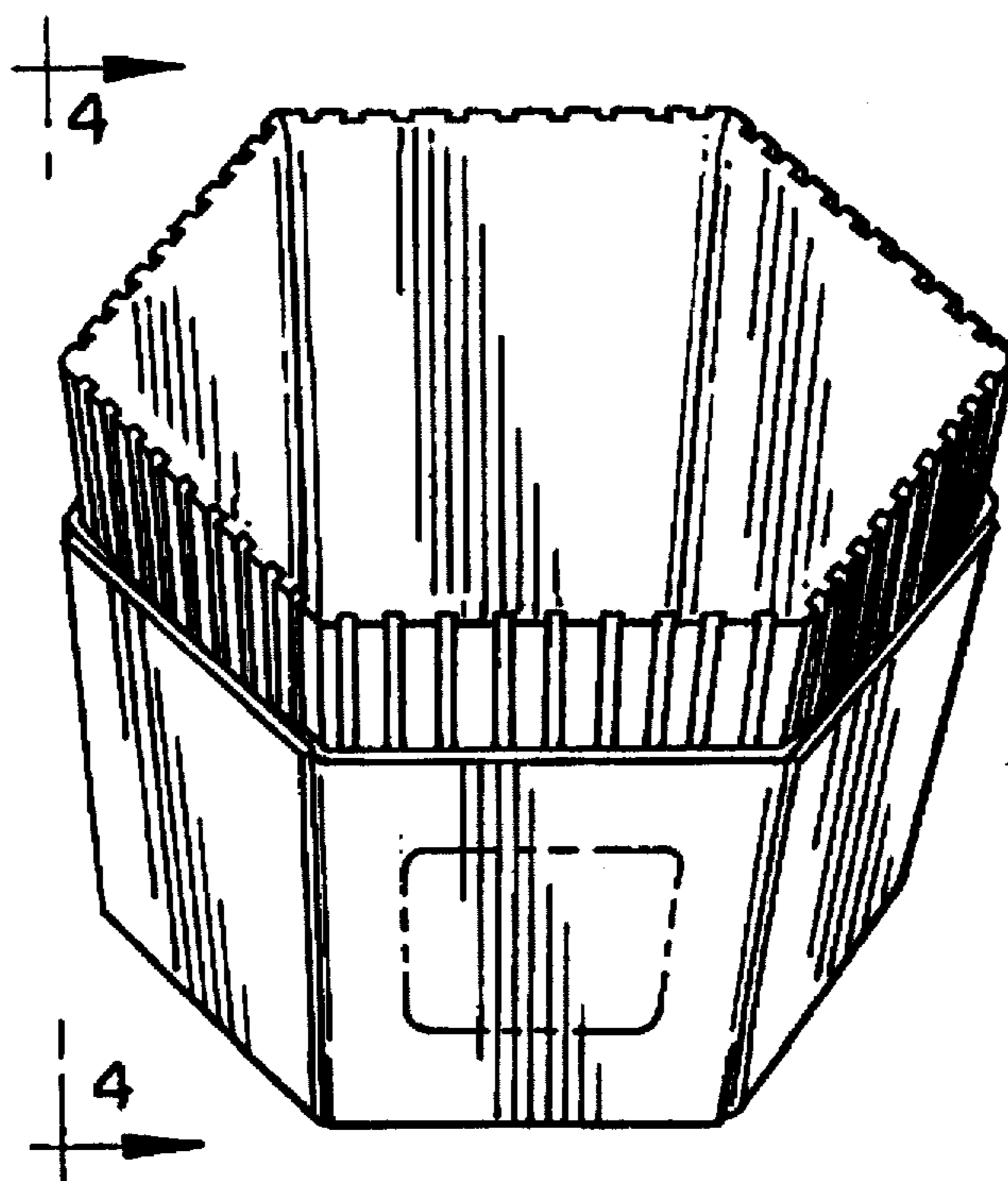


FIG.1

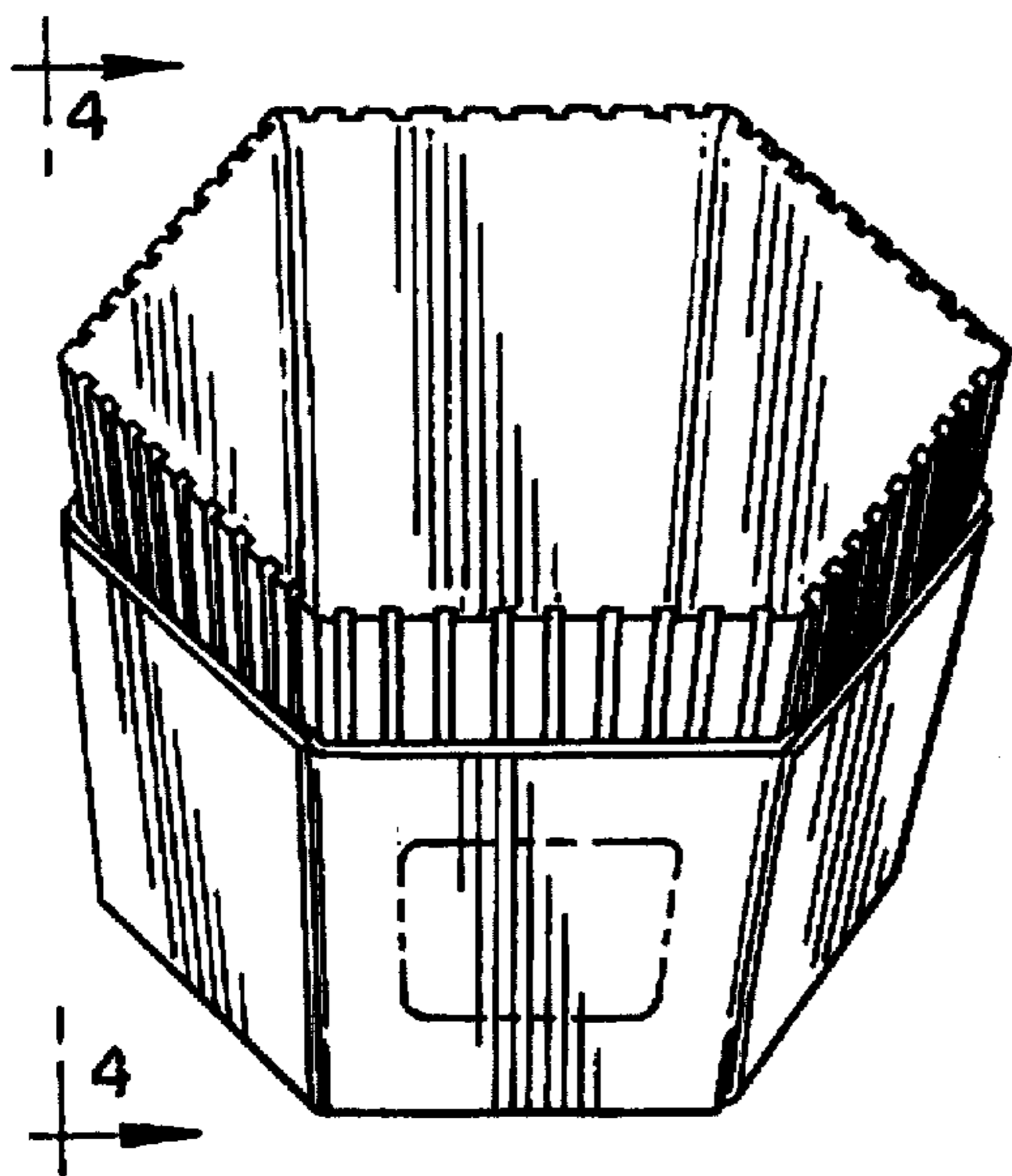


FIG.2

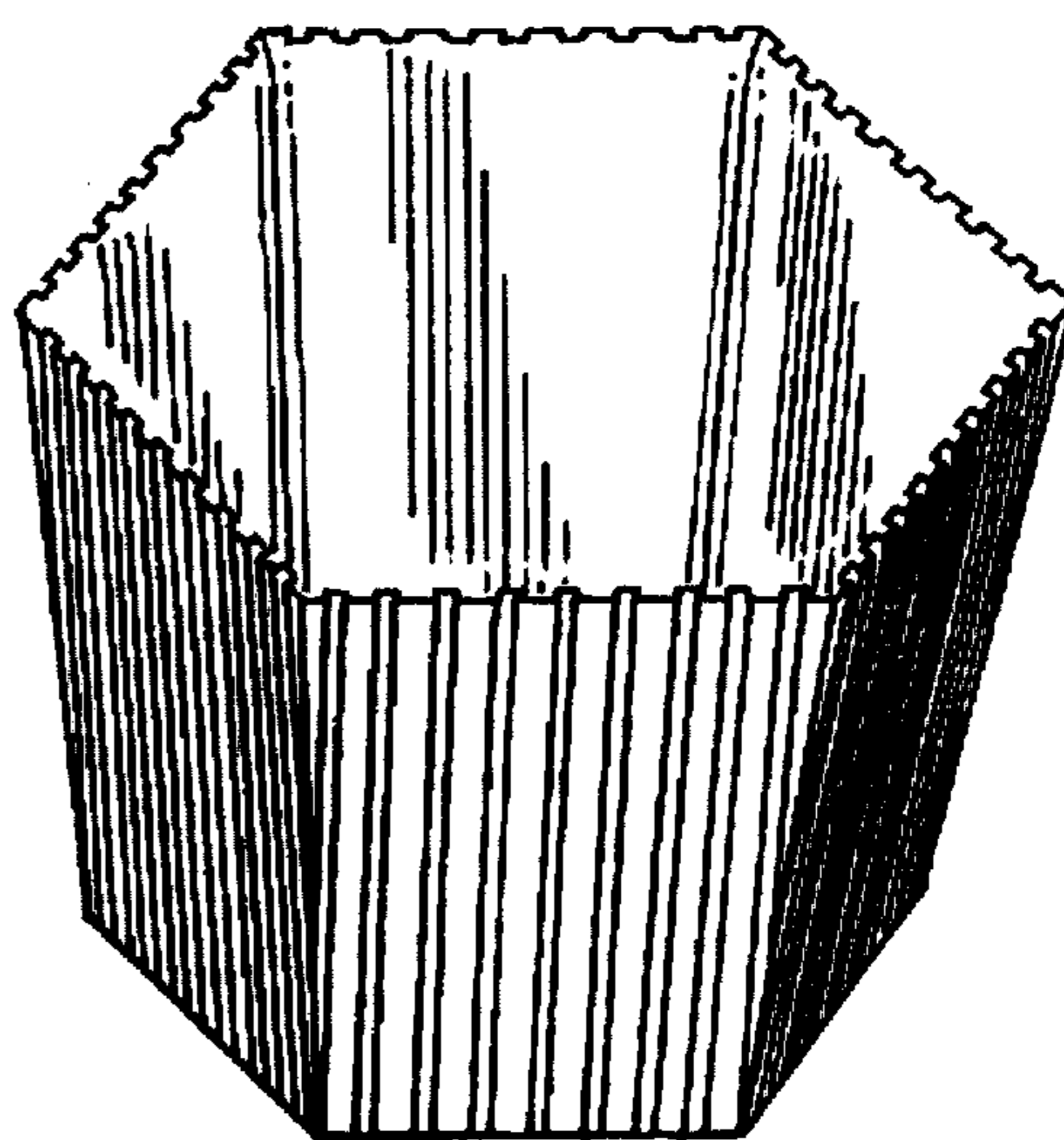


FIG.3

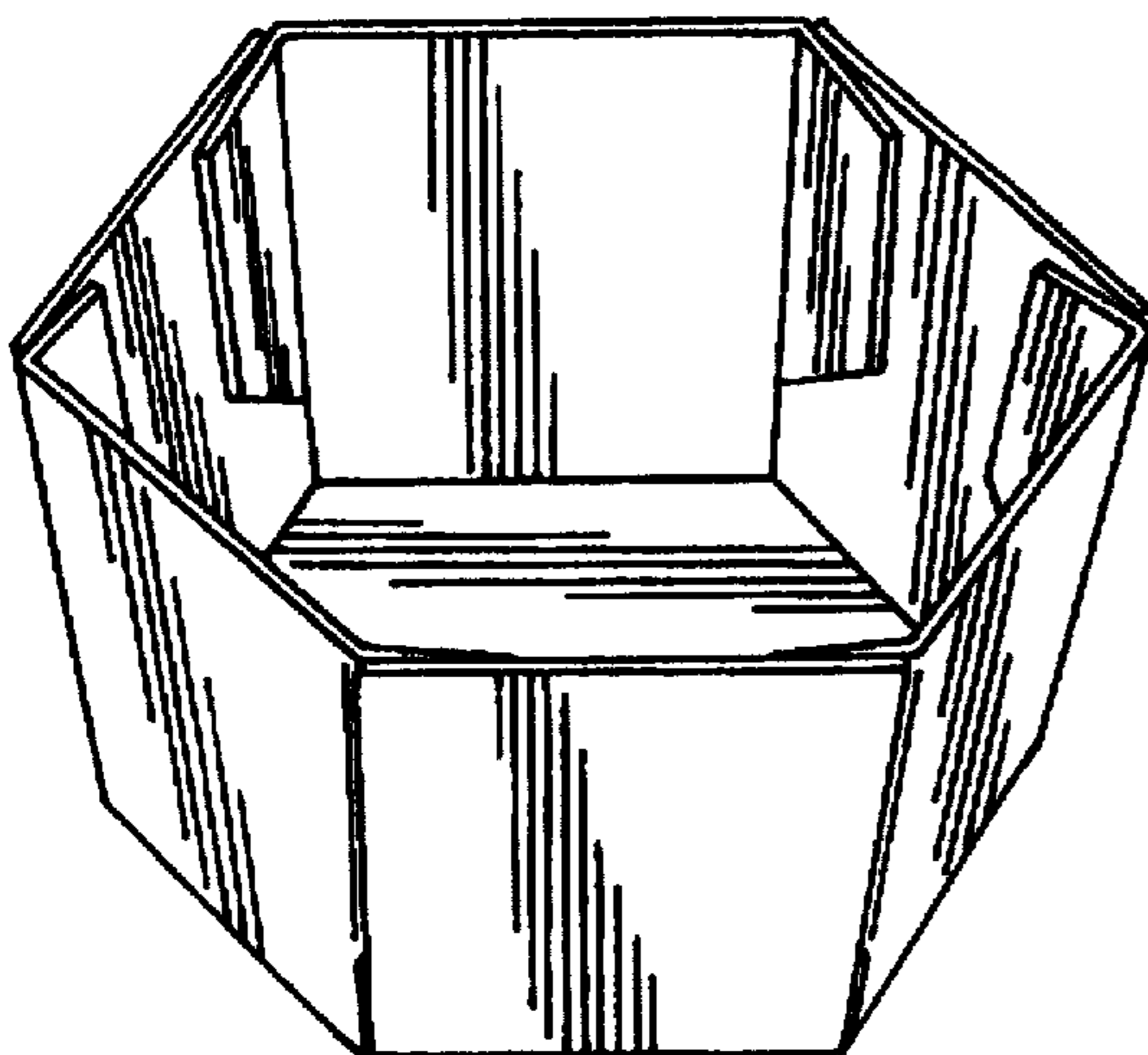


FIG.4

