



US00D391030S

United States Patent [19] Slack

[11] Patent Number: **Des. 391,030**
[45] Date of Patent: ****Feb. 17, 1998**

[54] **CART WITH TROLLEY WHEELS**
[76] Inventor: **David H Slack, P.O. Box 356,
Saylorsburg, Pa. 18353**
[**] Term: **14 Years**
[21] Appl. No.: **64,357**
[22] Filed: **Dec. 30, 1996**
[51] LOC (6) Cl. **12-02**
[52] U.S. Cl. **D34/19; D34/25**
[58] Field of Search **D34/12-27; 280/415.1,
280/416.1, 426, 442, 79.11, 79.2, 47.26,
47.24**

D. 320,682 10/1991 Braswell D34/19
D. 331,207 11/1992 Phelps D34/24

Primary Examiner—**Kay H. Chin**

[57] CLAIM

The ornamental design for a cart with trolley wheels, as shown.

DESCRIPTION

FIG. 1 is a left side plan view of the cart with trolley wheels of the present invention;
FIG. 2 is a right side plan view thereof;
FIG. 3 is a front plan view thereof;
FIG. 4 is a back plan view thereof;
FIG. 5 is a top plan view thereof; and,
FIG. 6 is a bottom plan view thereof.

[56] References Cited

U.S. PATENT DOCUMENTS

D. 284,416 6/1986 Smith D34/23

1 Claim, 3 Drawing Sheets

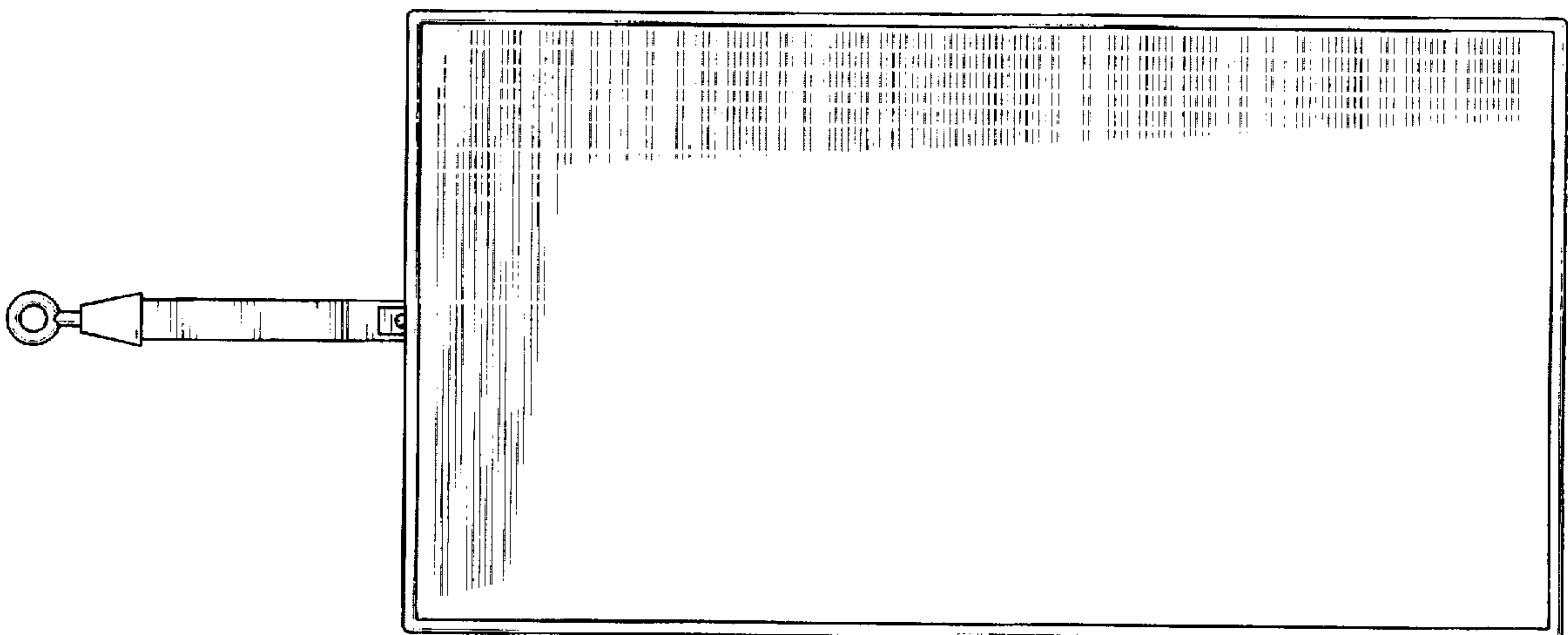
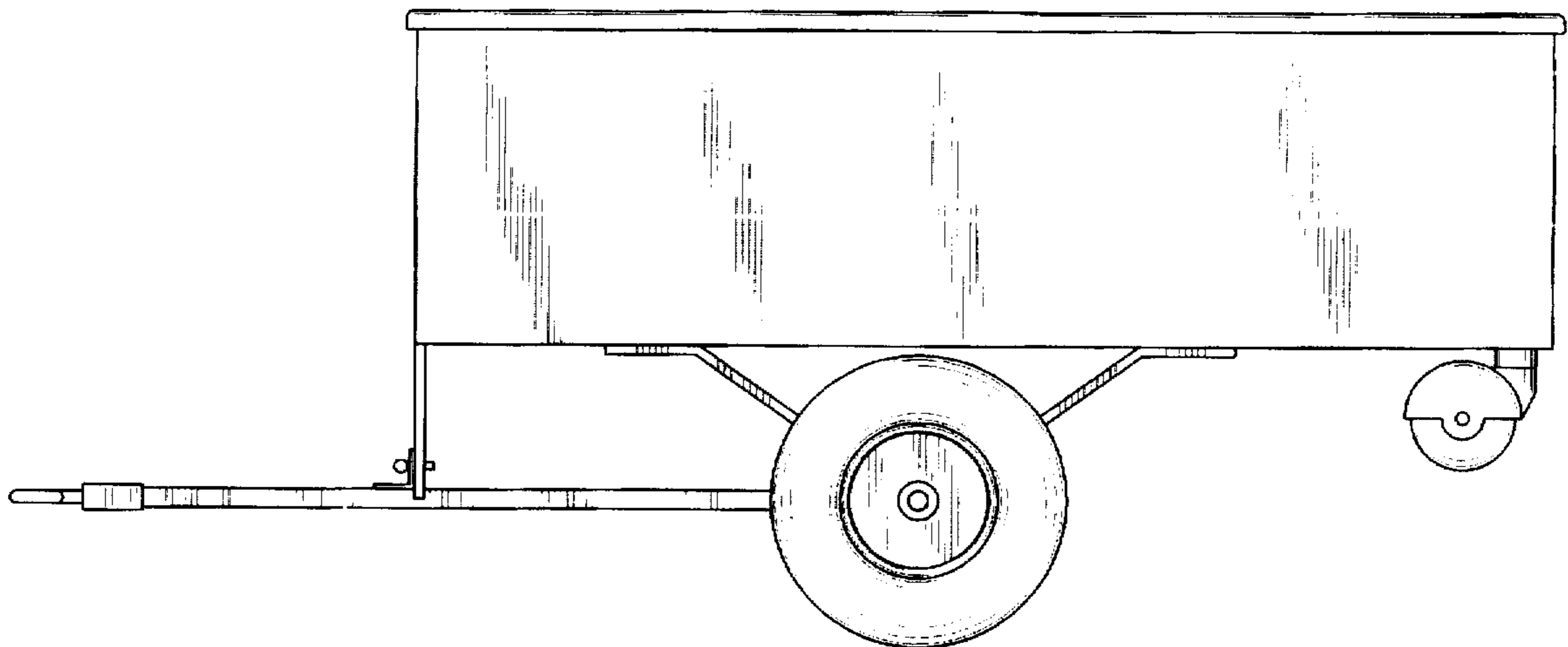


FIG. 1

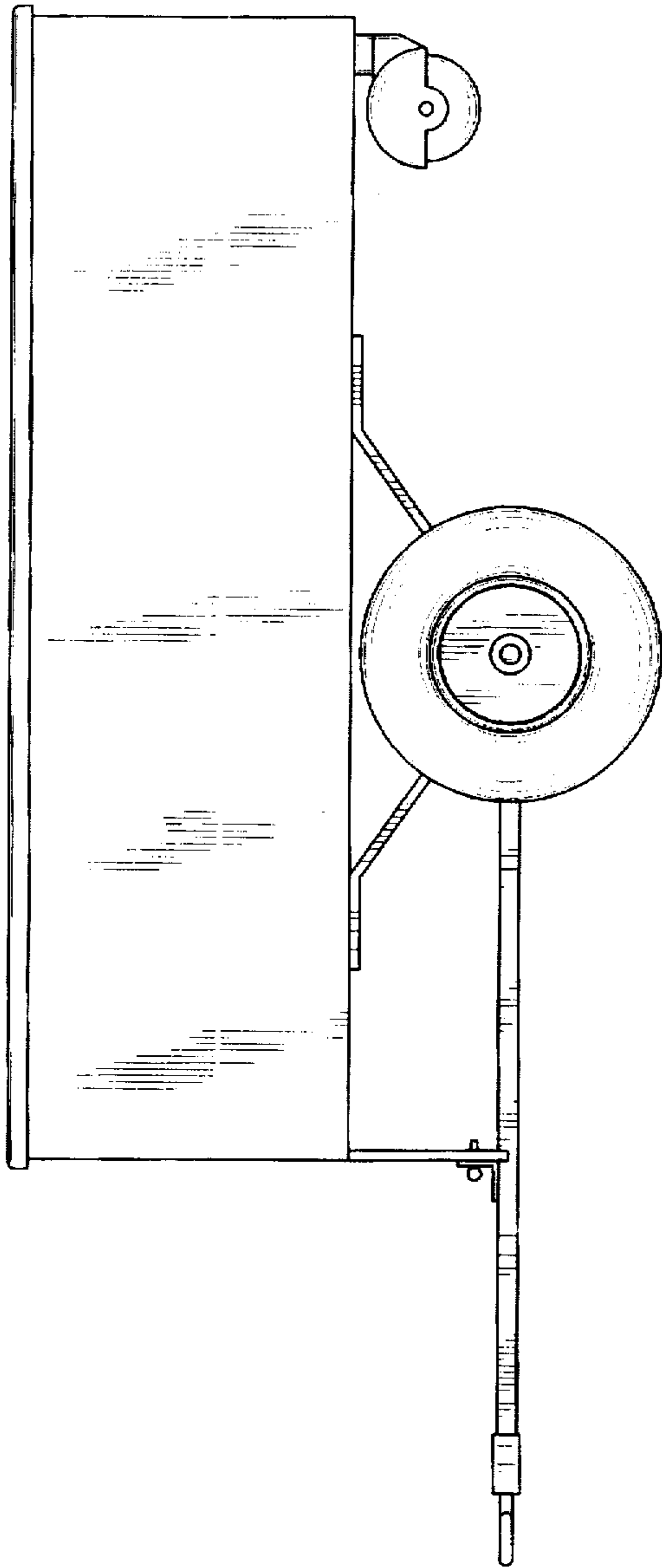


FIG. 2

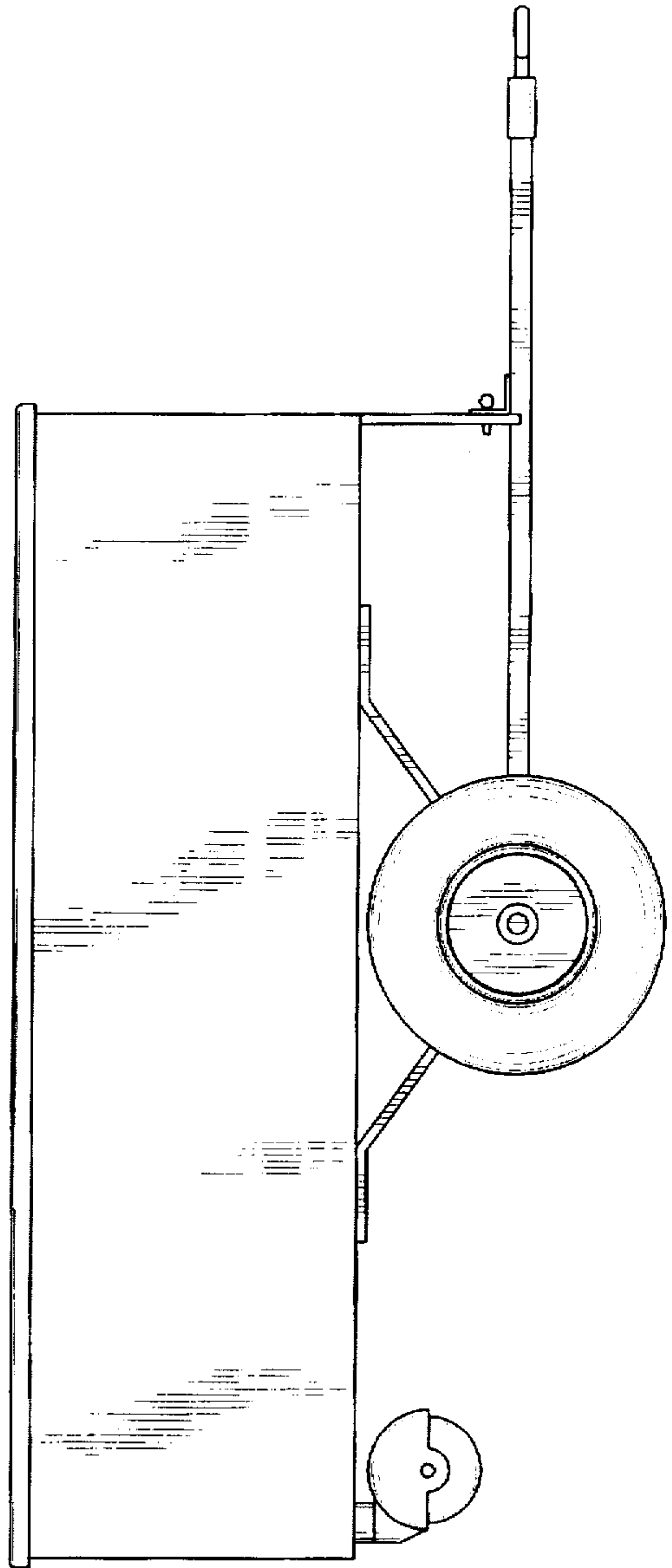


FIG. 3

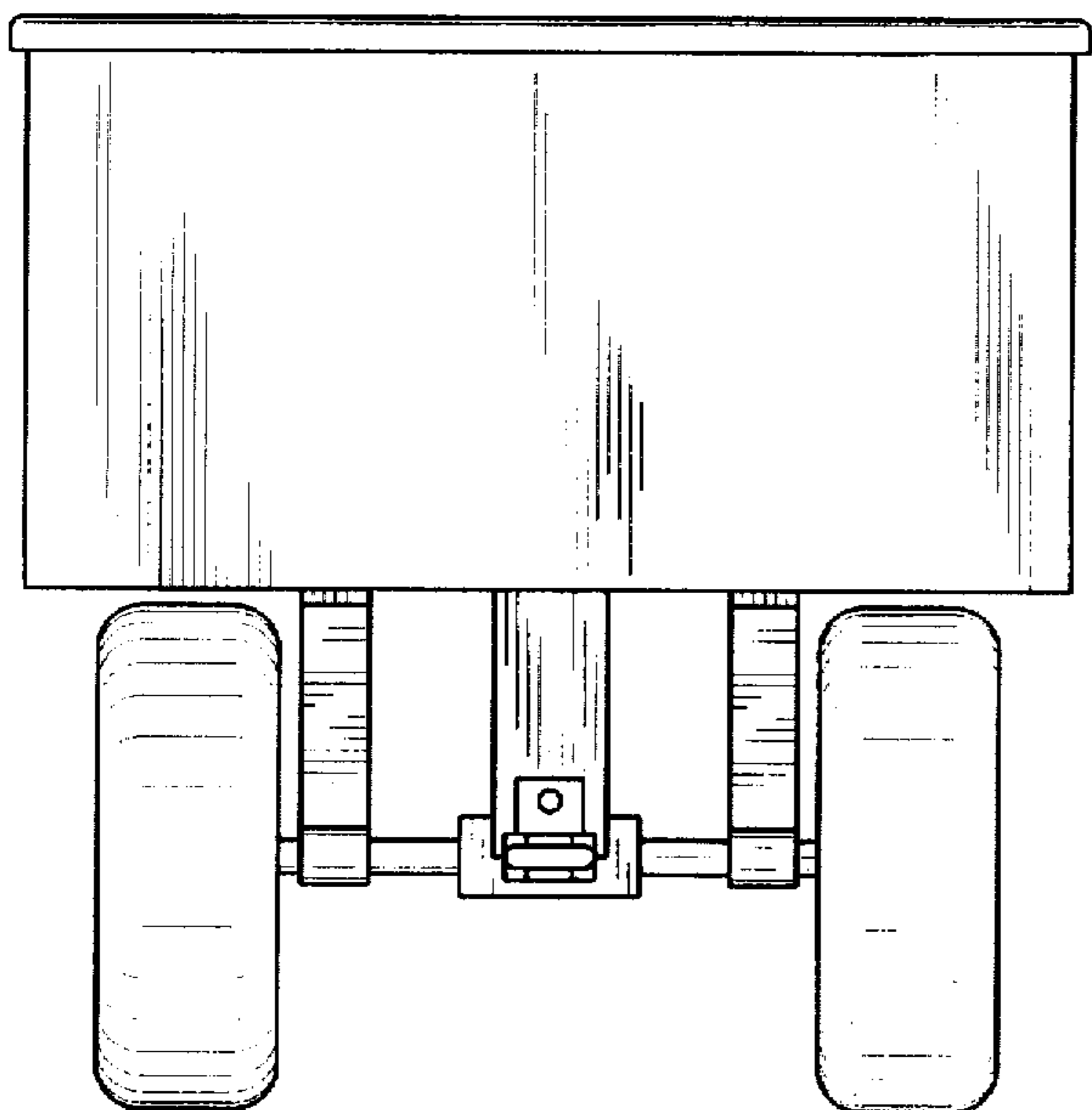


FIG. 4

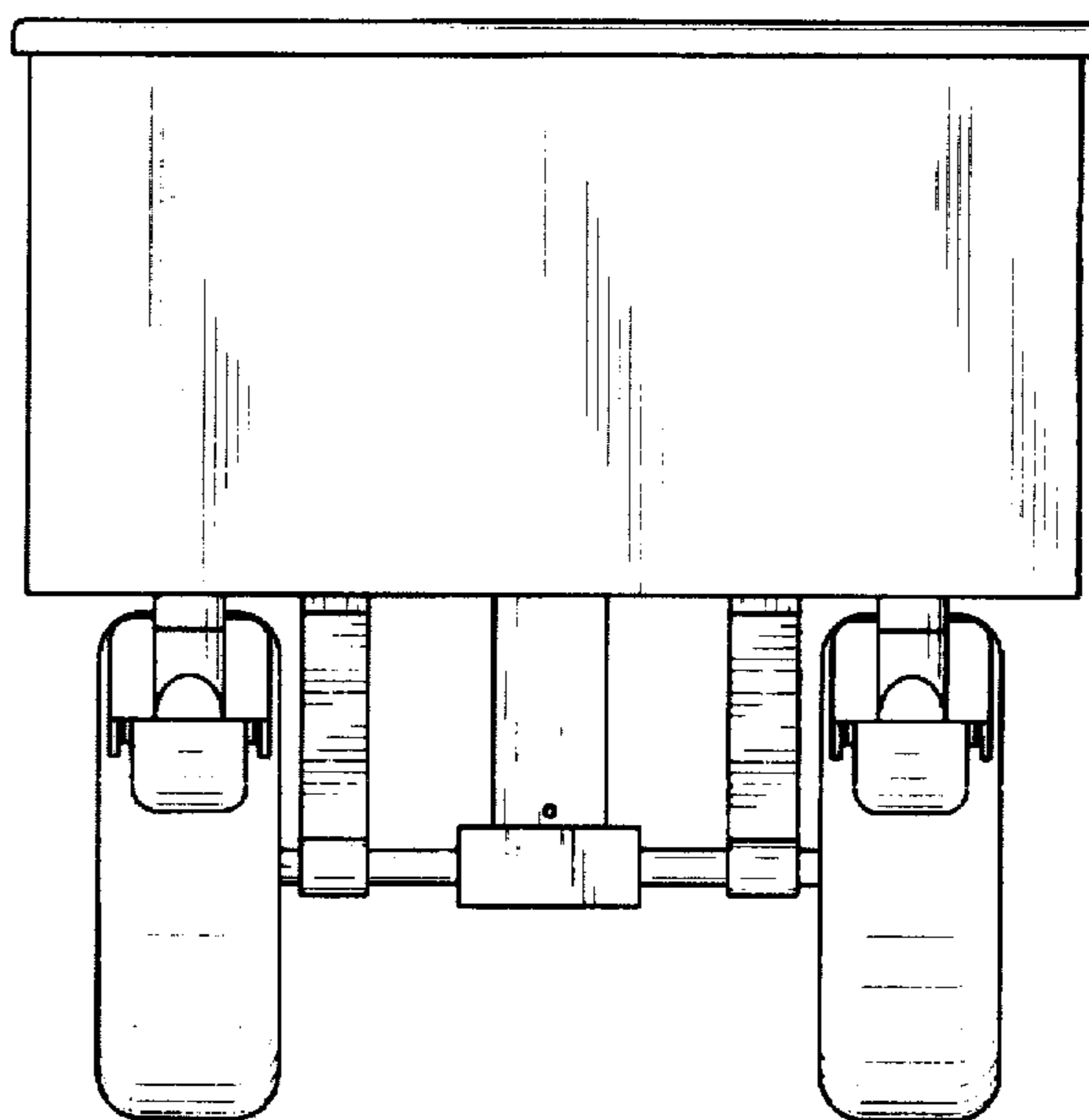


FIG. 5

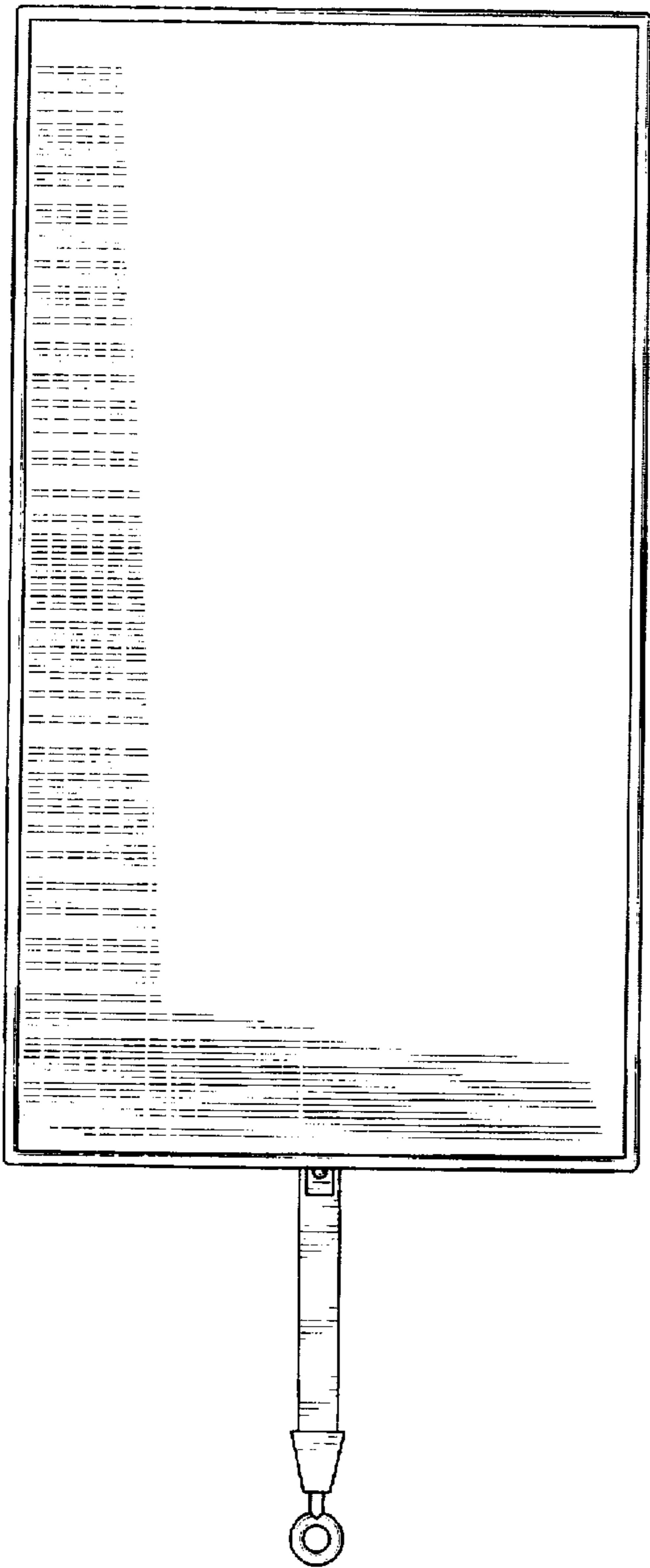


FIG. 6

