



US00D391026S

United States Patent [19]

Stubbs

[11] Patent Number: **Des. 391,026**

[45] Date of Patent: ****Feb. 17, 1998**

[54] **FINGERNAIL CLIPPER WITH FINGER SUPPORT**

4,788,768	12/1988	Ohori	132/73.5 X
5,384,960	1/1995	Tottenham	30/28
5,490,327	2/1996	Ohori	132/75.5 X

[76] Inventor: **Emil K. Stubbs**, P.O. Box 692, Ozark, Ala. 36361

[**] Term: **14 Years**

Primary Examiner—Ted Shooman
Assistant Examiner—C. Tuttle
Attorney, Agent, or Firm—Thomas, Kayden, Horstemeyer & Risley

[21] Appl. No.: **67,259**

[57] **CLAIM**

[22] Filed: **Feb. 18, 1997**

The ornamental design for a fingernail clipper with finger support loop, as shown and described.

[51] LOC (6) Cl. **28-03**

[52] U.S. Cl. **D28/60**

[58] Field of Search D28/56, 60, 62;
132/73, 73.5, 75.4, 75.5; 30/26, 28

DESCRIPTION

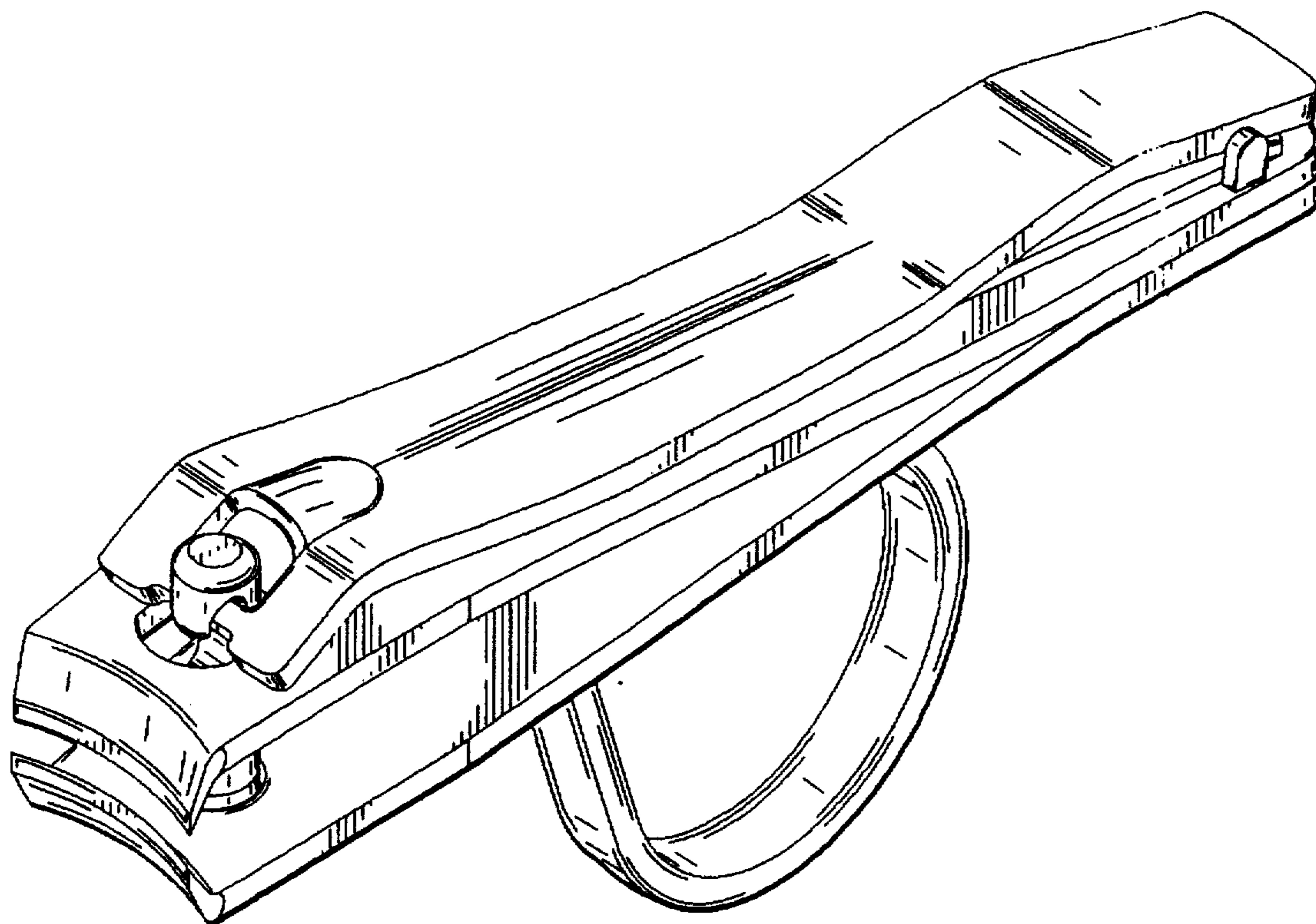
[56] **References Cited**

U.S. PATENT DOCUMENTS

D. 185,509	6/1959	Bassett	D28/60
D. 198,660	7/1964	Britton	D28/60
D. 266,480	10/1982	Reel	D28/60 X
D. 286,091	10/1986	Hill	D28/60
D. 377,240	1/1997	La Magna	D28/60
2,831,247	4/1958	Spear	30/28
3,997,966	12/1976	Sartore	30/28
4,196,514	4/1980	Merriman	30/28

FIG. 1 is a perspective illustration of the fingernail clipper with finger support loop;
FIG. 2 is a side elevational view thereof, with the opposite side being a mirror image;
FIG. 3 is a front view thereof;
FIG. 4 is a rear view thereof;
FIG. 5 is a top view thereof; and,
FIG. 6 is a bottom view thereof.
The portions of the clipper that are neither shown nor described herein are not being claimed.

1 Claim, 2 Drawing Sheets



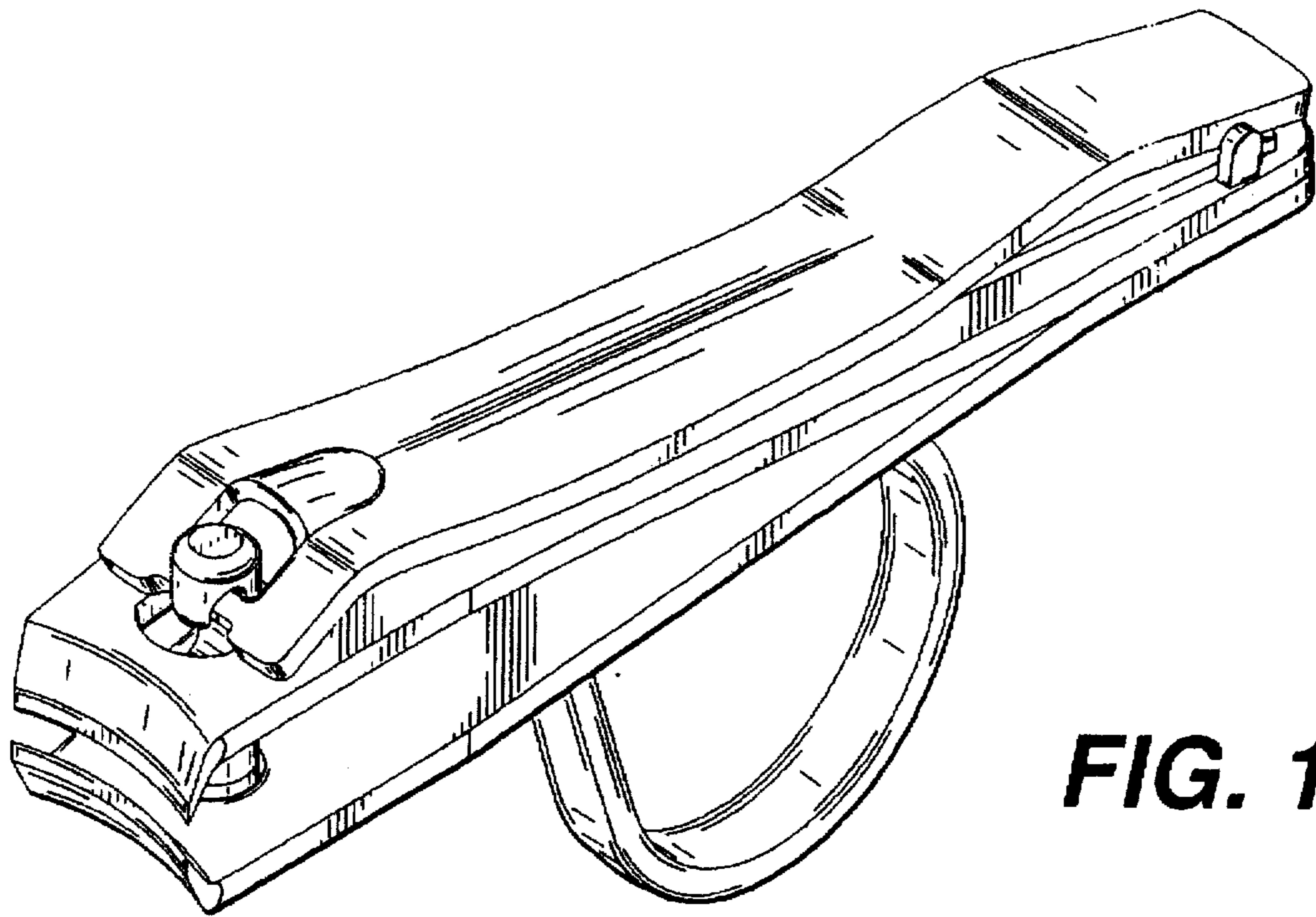


FIG. 1

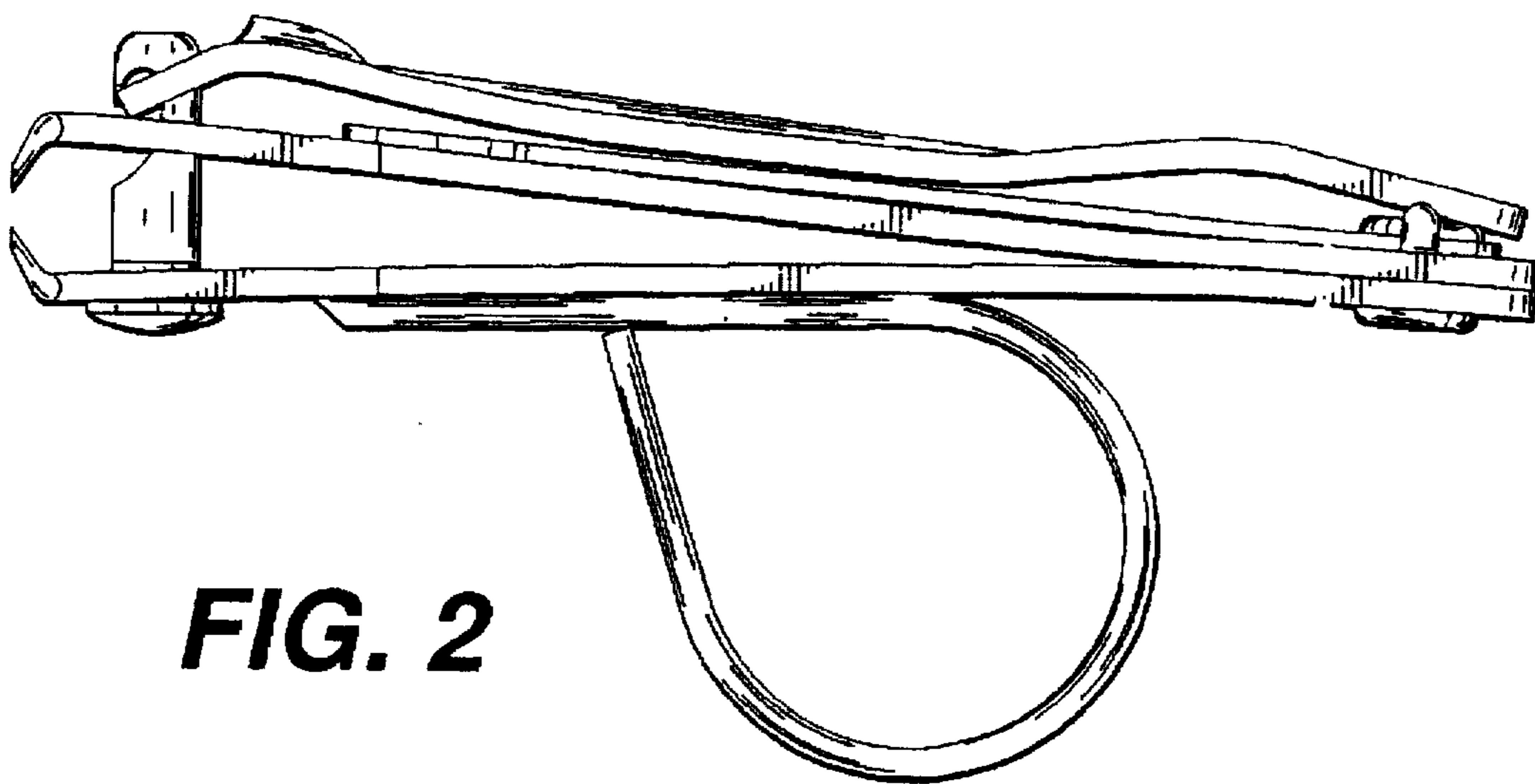


FIG. 2

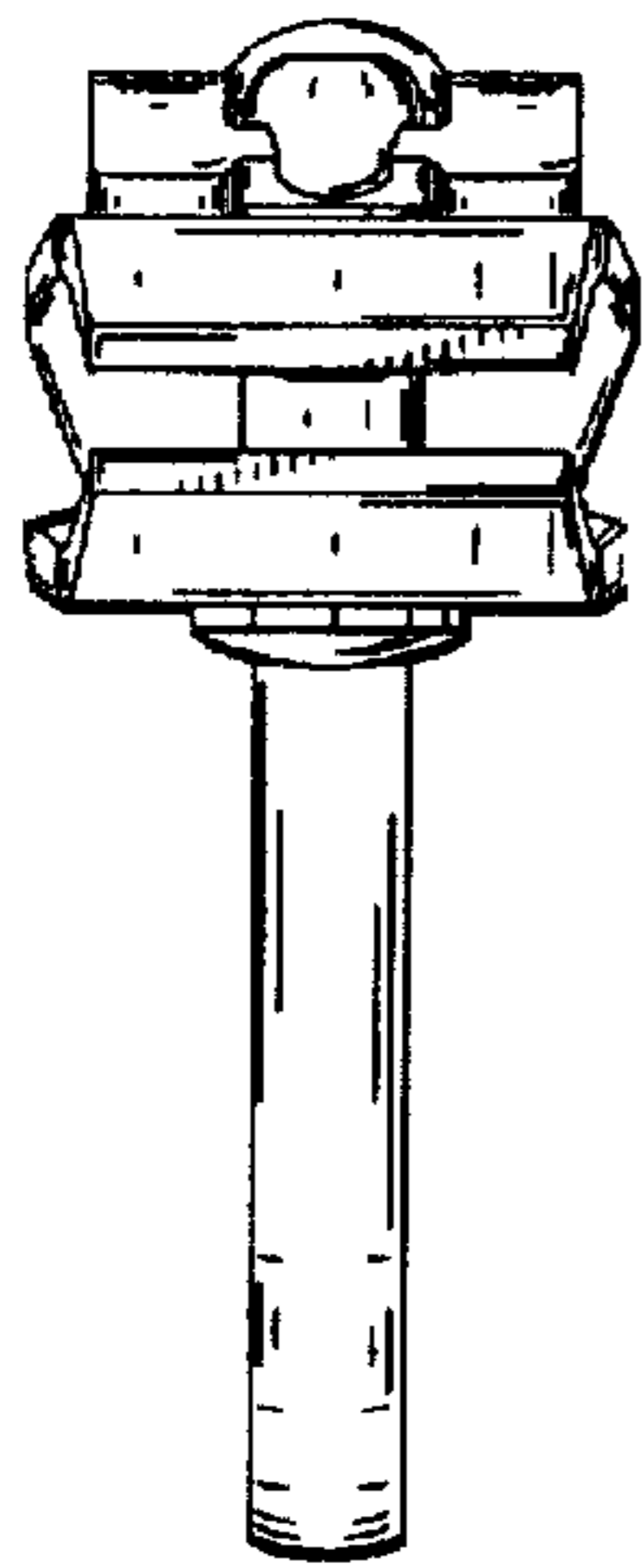


FIG. 3

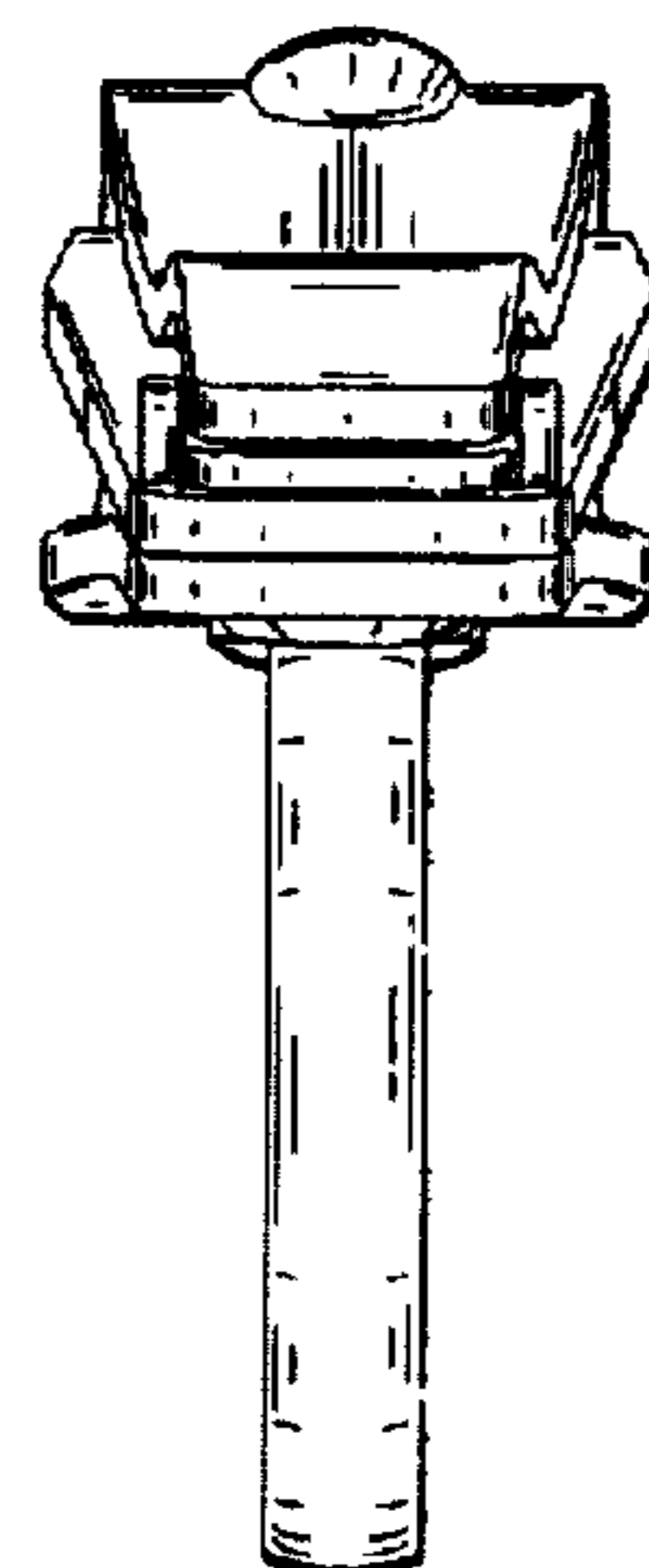


FIG. 4

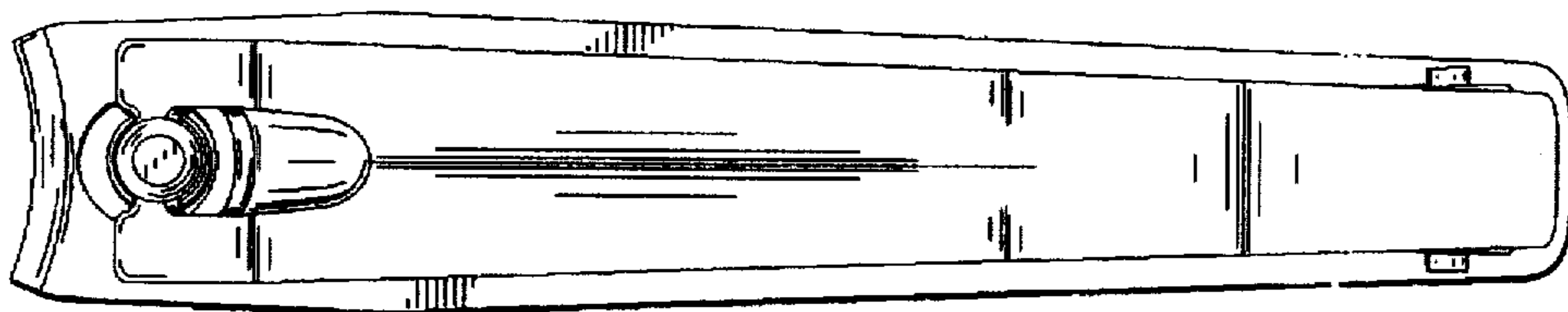


FIG. 5

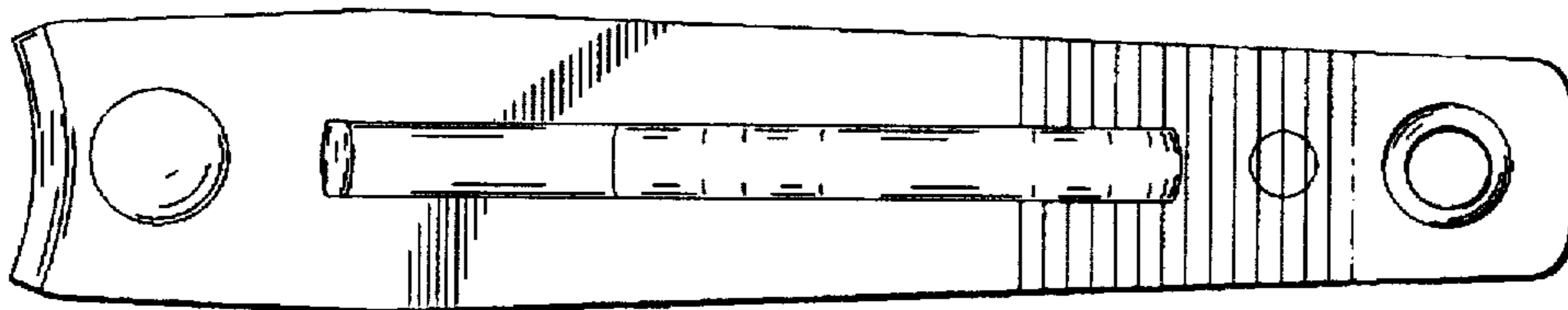


FIG. 6