



US00D391025S

United States Patent [19]
Wolff

[11] **Patent Number: Des. 391,025**
[45] **Date of Patent: **Feb. 17, 1998**

[54] **NAIL POLISH REMOVING MACHINE**

FOREIGN PATENT DOCUMENTS

[75] **Inventor: Heidi L. Wolff, Minnetonka, Minn.**

526428 5/1955 Italy 132/73.6
2198334 6/1988 United Kingdom 132/73

[73] **Assignee: Tek Toys Corporation, San Francisco, Calif.**

Primary Examiner—Ted Shooman
Assistant Examiner—C. Tuttle
Attorney, Agent, or Firm—Westman, Champlin & Kelly, P.A.

[**] **Term: 14 Years**

[21] **Appl. No.: 59,980**

[57] **CLAIM**

[22] **Filed: Sep. 19, 1996**

The ornamental design for a nail polish removing machine, as shown and described.

[51] **LOC (6) Cl. 28-03**

[52] **U.S. Cl. D28/58**

[58] **Field of Search D28/9, 56, 58, D28/61; 132/73, 73.5, 73.6, 74.5, 75, 75.6; 15/21.1, 97.1, 104.92**

DESCRIPTION

FIG. 1 is a view in perspective as seen from the front, top and one side of a nail polish removing machine embodying my new design;

FIG. 2 is a view in top plan thereof;

FIG. 3 is a view in front elevational thereof;

FIG. 4 is a view in elevation of the left side thereof;

FIG. 5 is a view in elevation of the right side thereof;

FIG. 6 is a view in rear elevation thereof; and,

FIG. 7 is a view in bottom plan thereof.

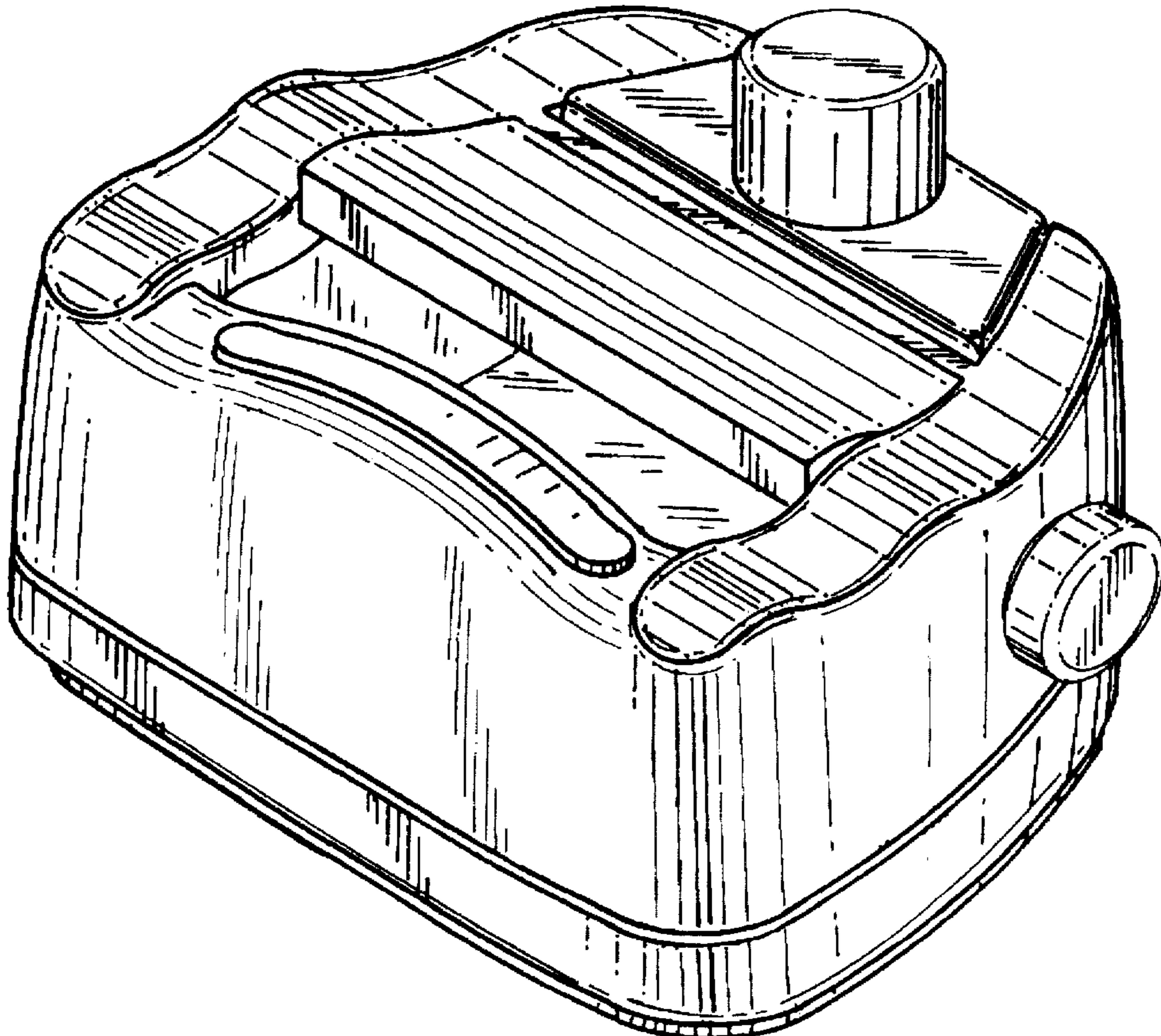
The visible, but undisclosed portions of the interior surface follow the configuration of the surfaces shown.

[56] **References Cited**

U.S. PATENT DOCUMENTS

D. 180,940	9/1957	Erickson	D28/58
D. 277,322	1/1985	West	D28/58
D. 329,718	9/1992	Sulik	D28/58
D. 334,998	4/1993	Warner et al.	D28/58
2,922,261	1/1960	Rabkin et al.	132/73.6 X
3,712,312	1/1973	Sussman	132/73.6
4,478,232	10/1984	Yasuda	132/73.6
5,339,477	8/1994	Warner et al.	15/97.1

1 Claim, 4 Drawing Sheets



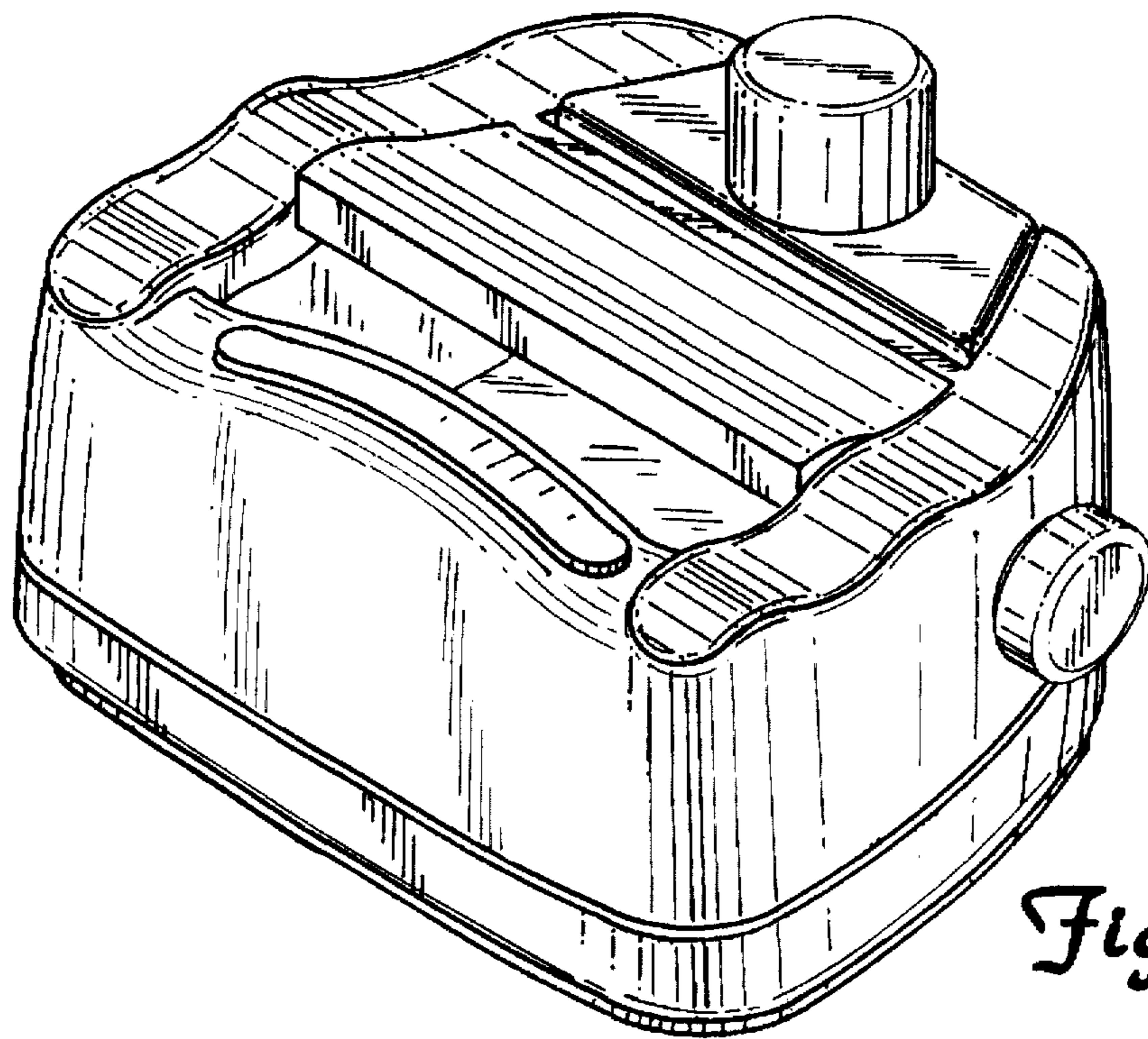


Fig. 1

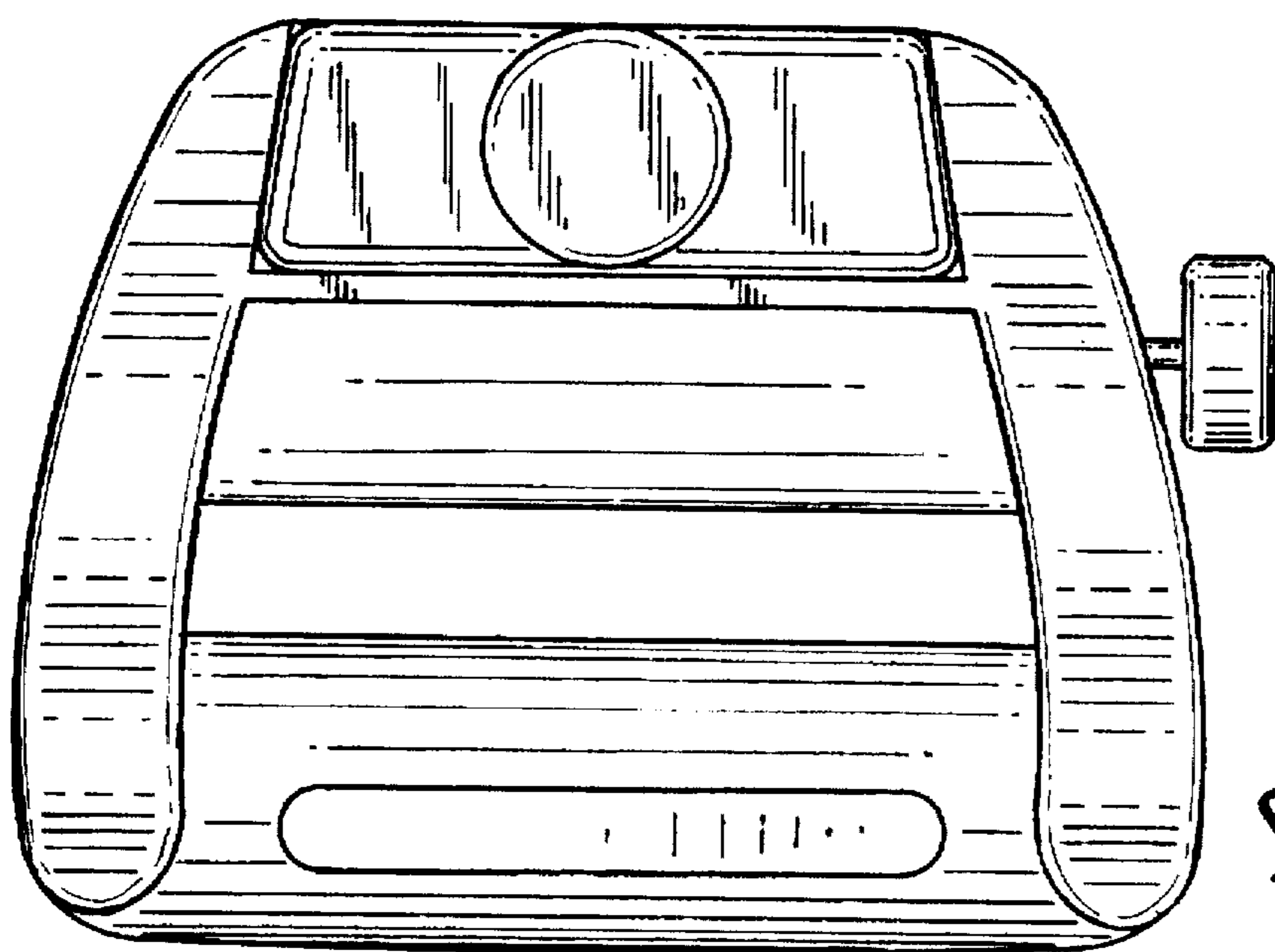


Fig. 2

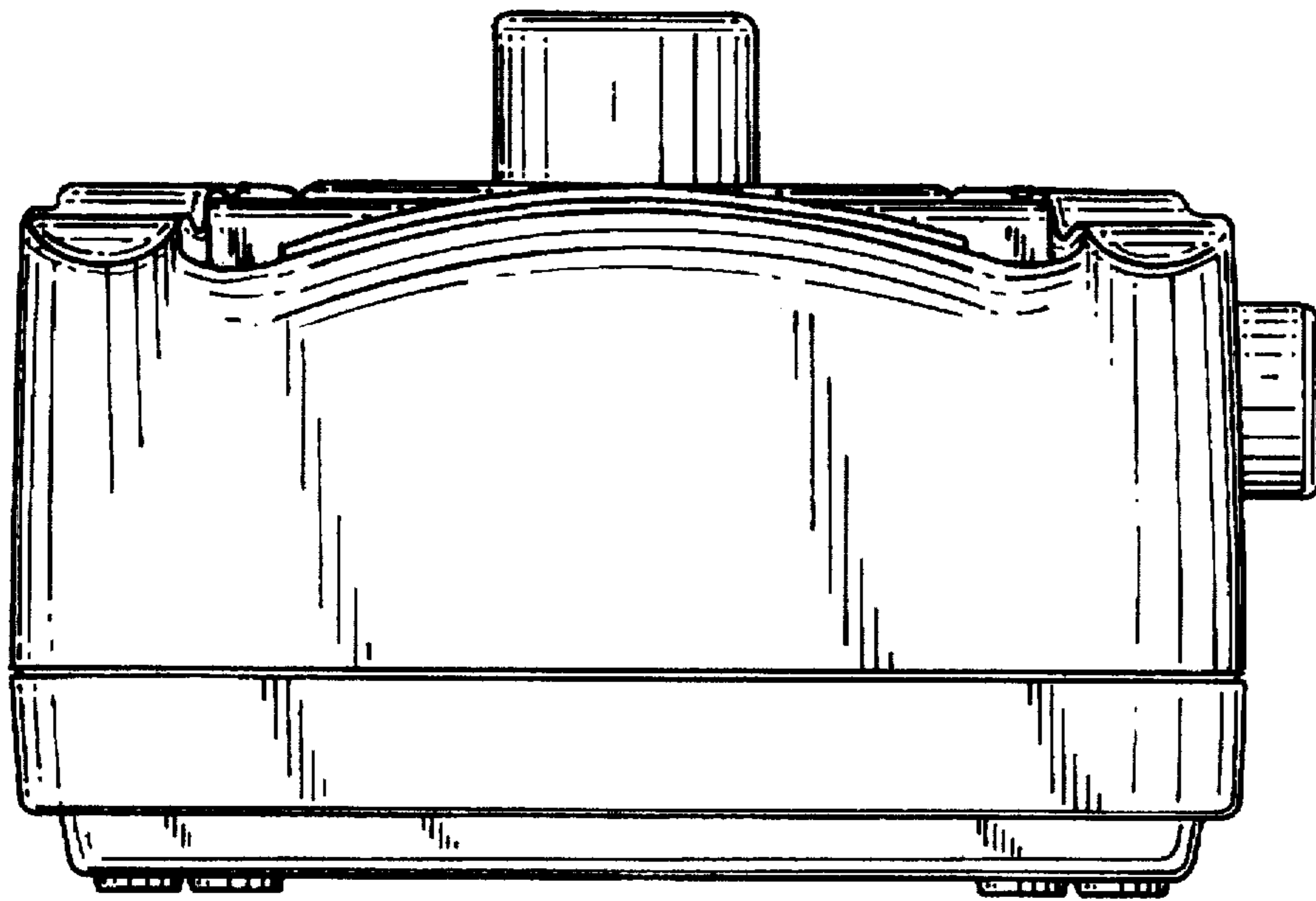


Fig. 3

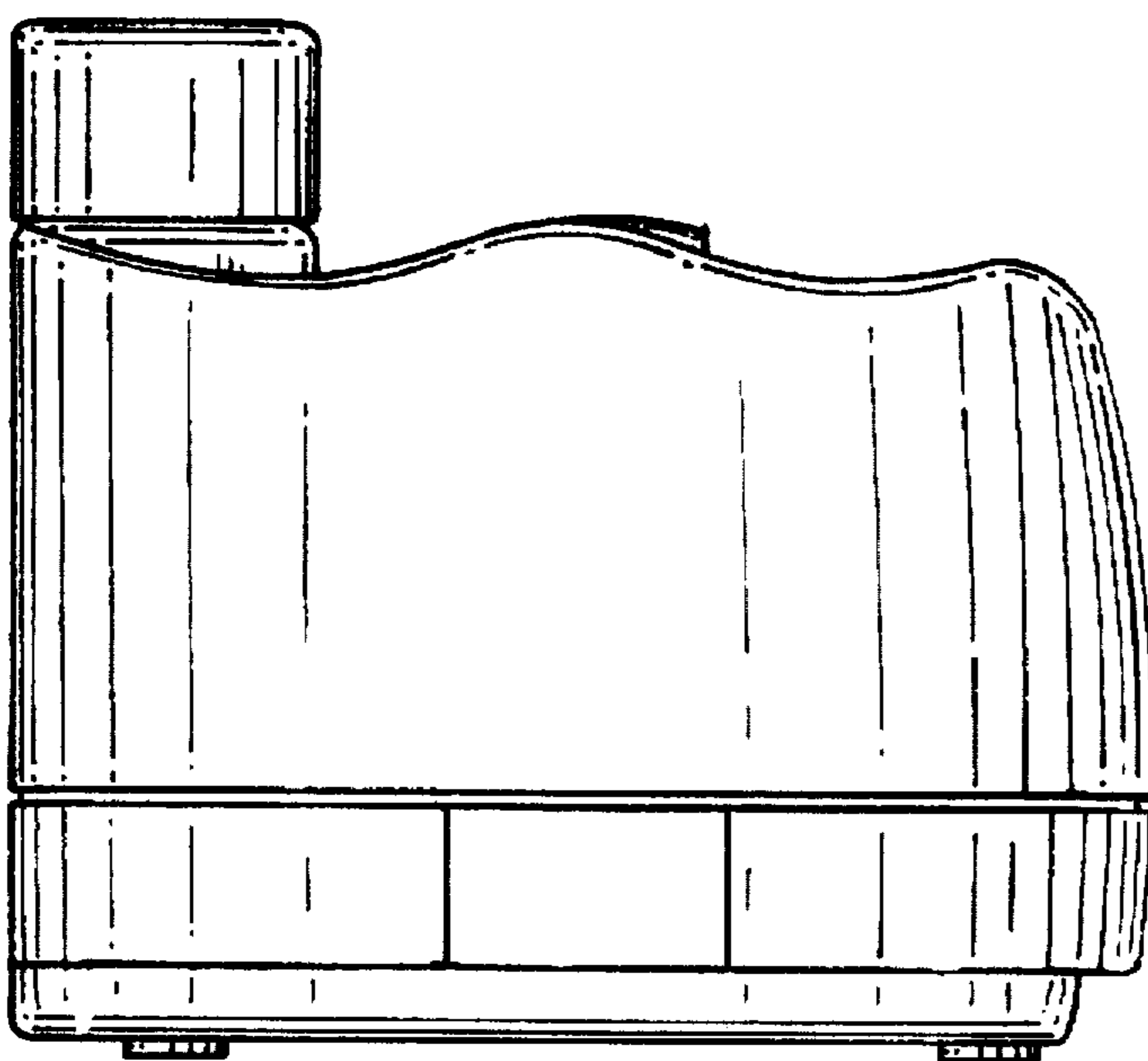


Fig. 4

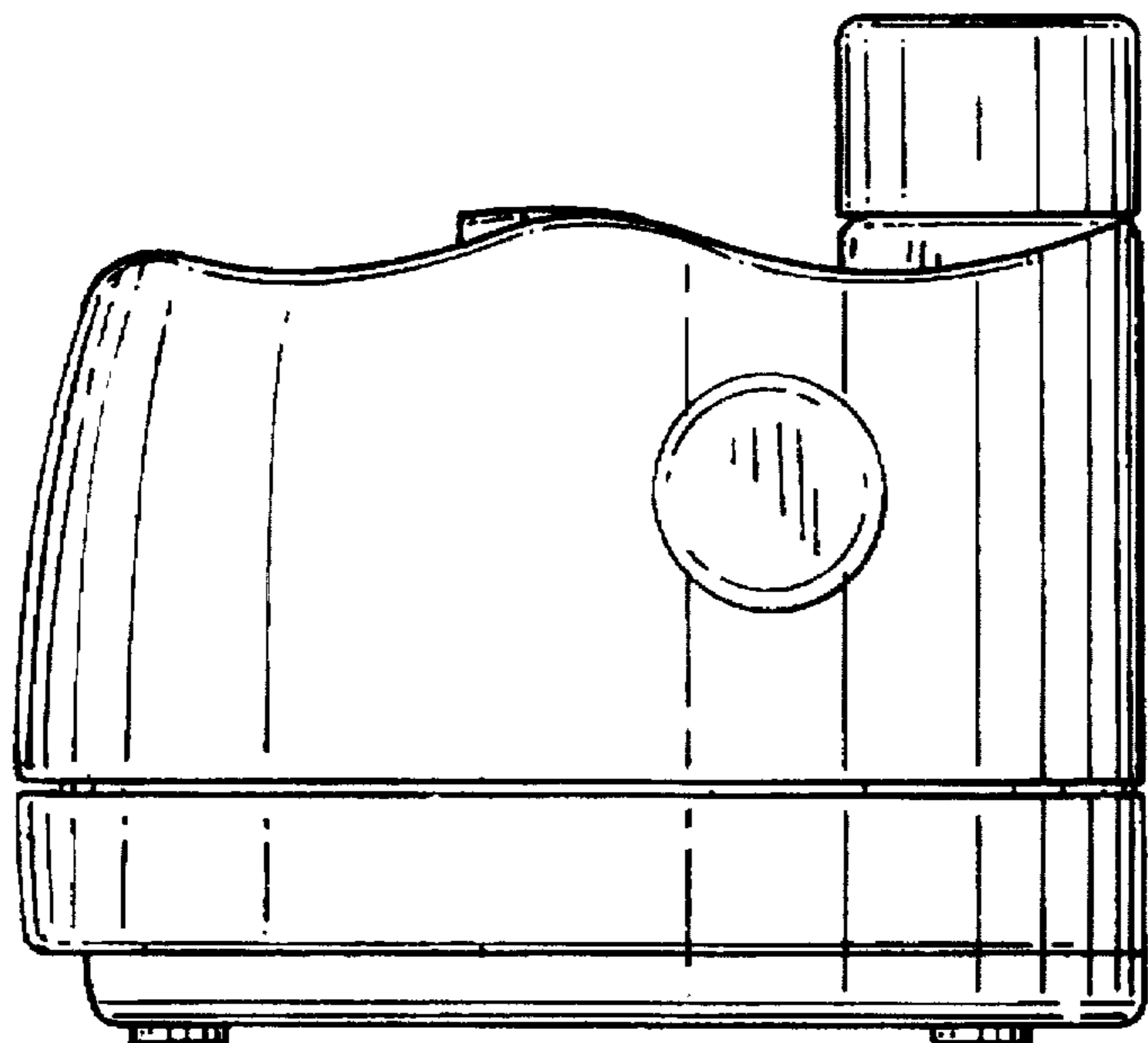


Fig. 5

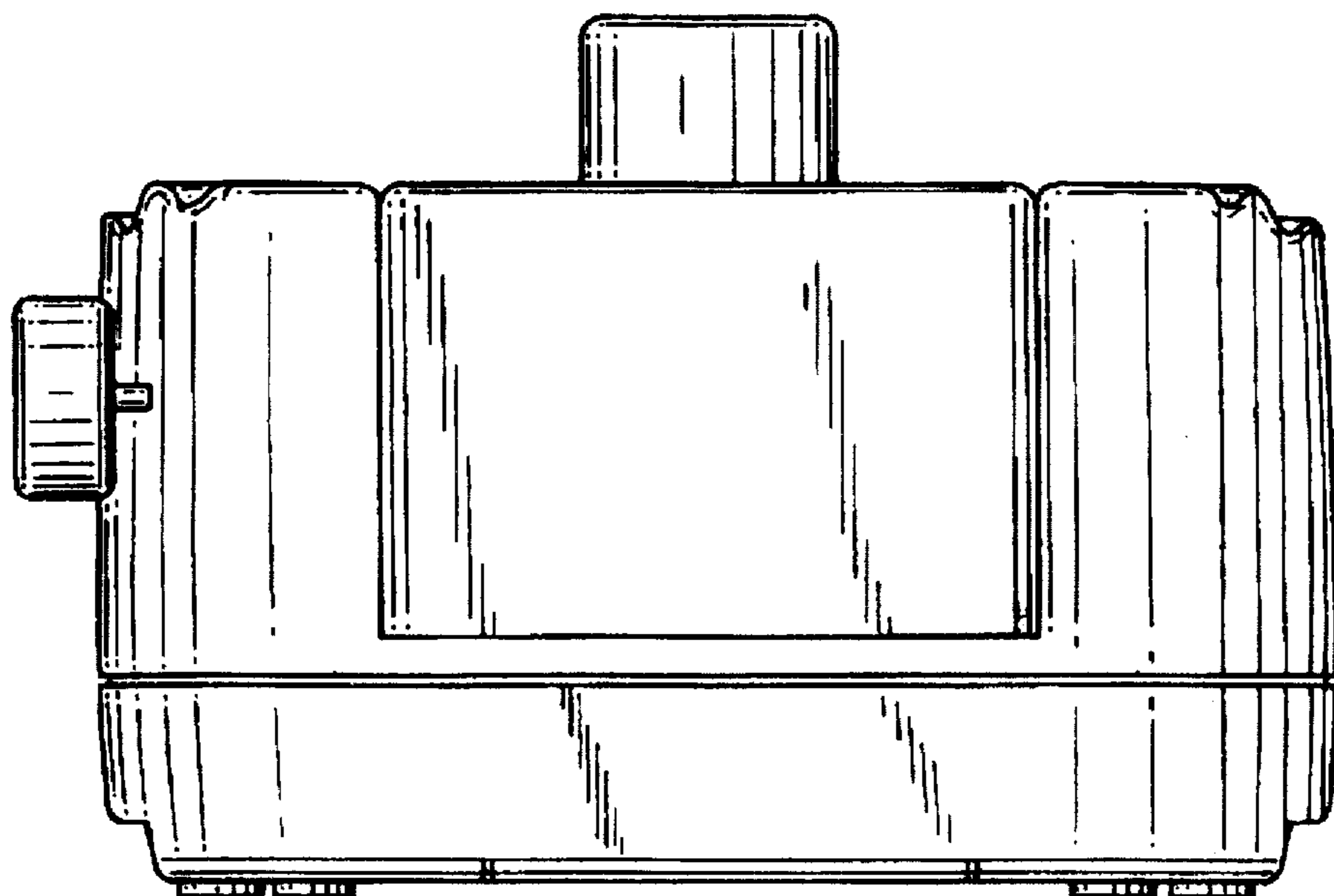


Fig. 6

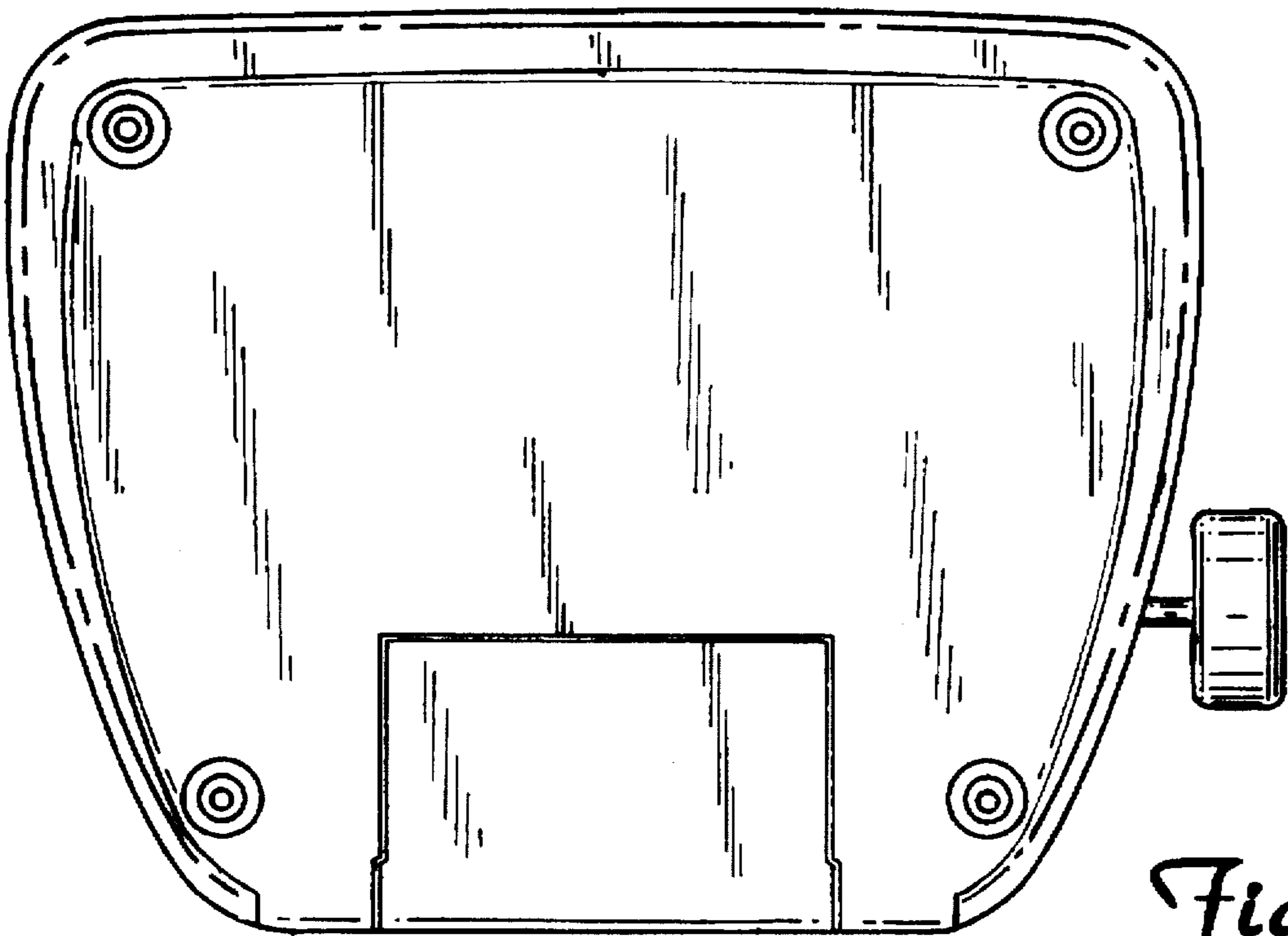


Fig. 7