



US00D391024S

United States Patent [19] Bianco

[11] Patent Number: Des. 391,024

[45] Date of Patent: **Feb. 17, 1998

[54] MANICURING IMPLEMENT

[76] Inventor: **Dominic Bianco**, 582 Yetman Ave.,
Staten Island, N.Y. 10307

[**] Term: 14 Years

[21] Appl. No.: 57,327

[22] Filed: Jul. 23, 1996

[51] LOC (6) Cl. 28-03

[52] U.S. Cl. D28/57

[58] Field of Search D28/56, 57, 58,
D28/59, 62; D8/16, 17, 19; 132/73, 75.3,
75.4, 75.6, 76.4, 76.5; 30/26, 27

[56] References Cited

U.S. PATENT DOCUMENTS

D. 34,137	2/1901	Mercier	D8/17
D. 255,320	6/1980	Steck	D8/89
D. 358,683	5/1995	Bianco	D28/57 X
1,395,180	10/1921	Etzweiler	132/75.4
2,711,747	6/1955	Fleming	132/76.4
5,088,509	2/1992	Savage, III	132/73.5 X

FOREIGN PATENT DOCUMENTS

3321352	12/1983	Germany	132/73.5
---------	---------	---------	-------	----------

86795	11/1955	Norway	30/27
141337	9/1920	United Kingdom	132/73
889935	2/1962	United Kingdom	132/75.6

Primary Examiner—Ted Shooman
Assistant Examiner—C. Tuttle
Attorney, Agent, or Firm—Goldstein & Associates

[57] CLAIM

The ornamental design for a manicuring implement, as shown and described.

DESCRIPTION

FIG. 1 is a perspective view of a manicuring implement the broken lines showing a handle being for illustrative purposes only and forming no part of the claimed illustration;
FIG. 2 is a top plan view thereof;
FIG. 3 is a left elevational view thereof, the right side being a mirror image thereof;
FIG. 4 is a bottom plan view thereof;
FIG. 5 is a front elevational view of the instant invention shown on an enlarged scale; and,
FIG. 6 is a rear elevational view thereof.

1 Claim, 2 Drawing Sheets

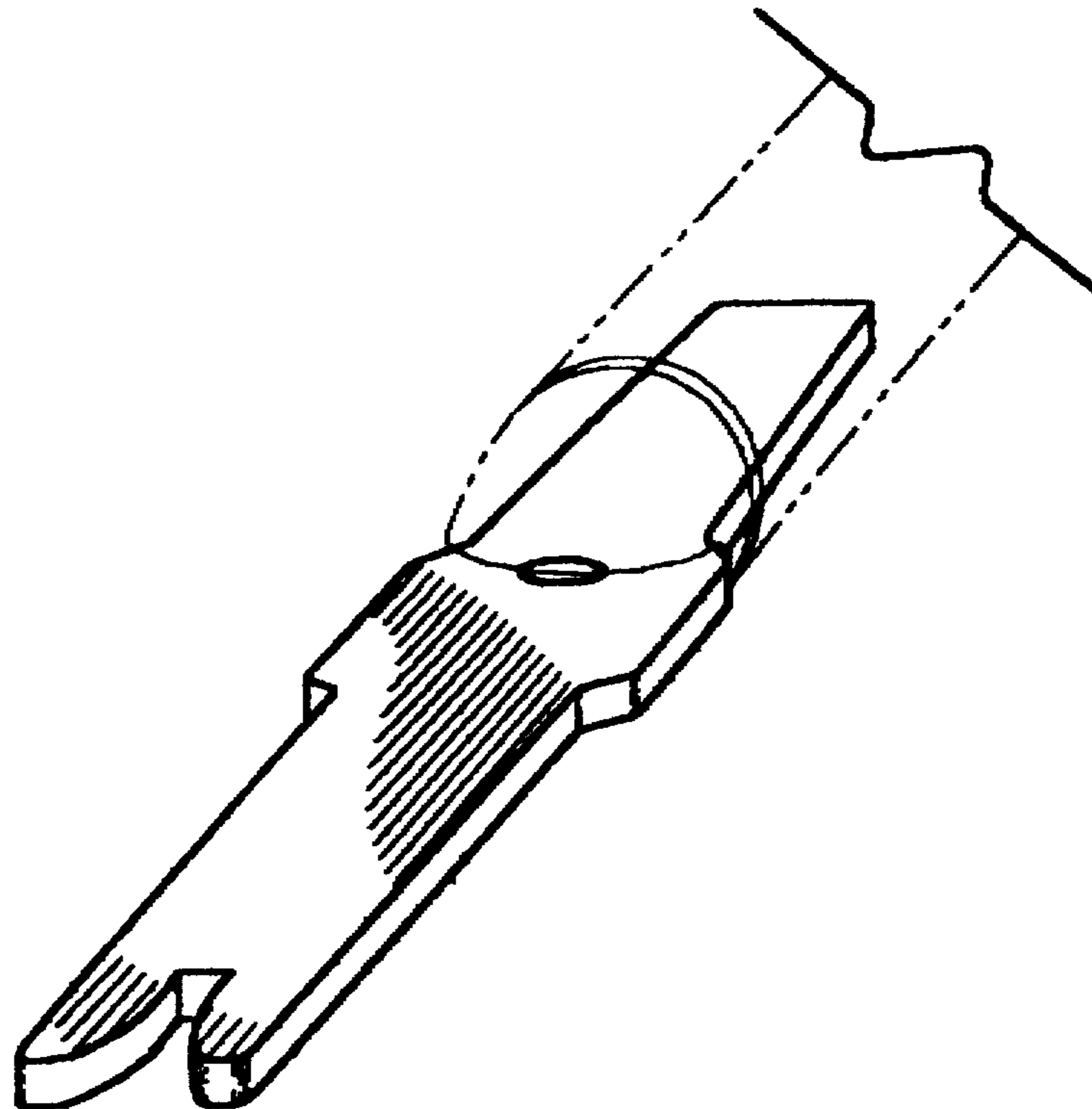


Fig. 1

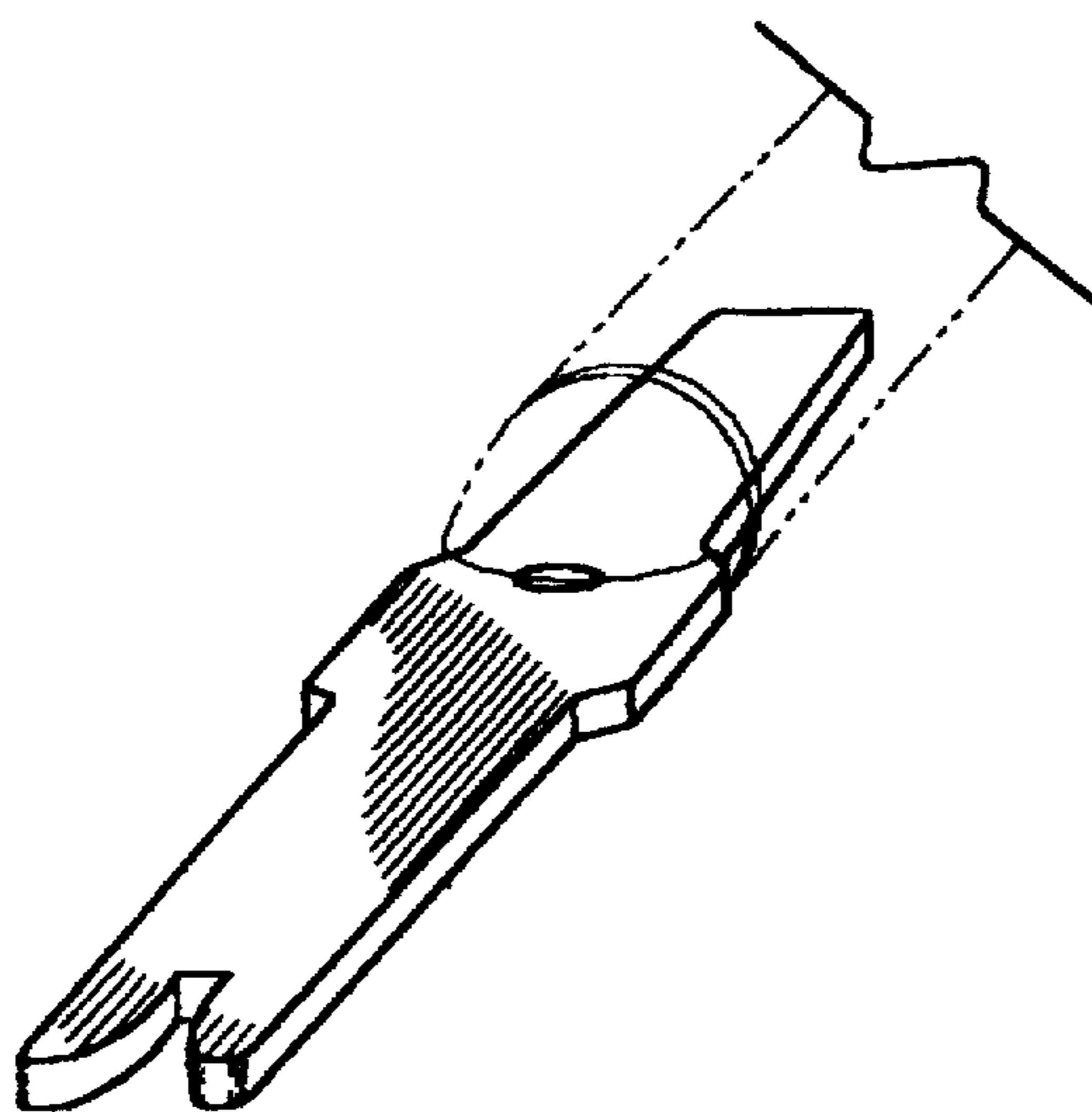


Fig. 2

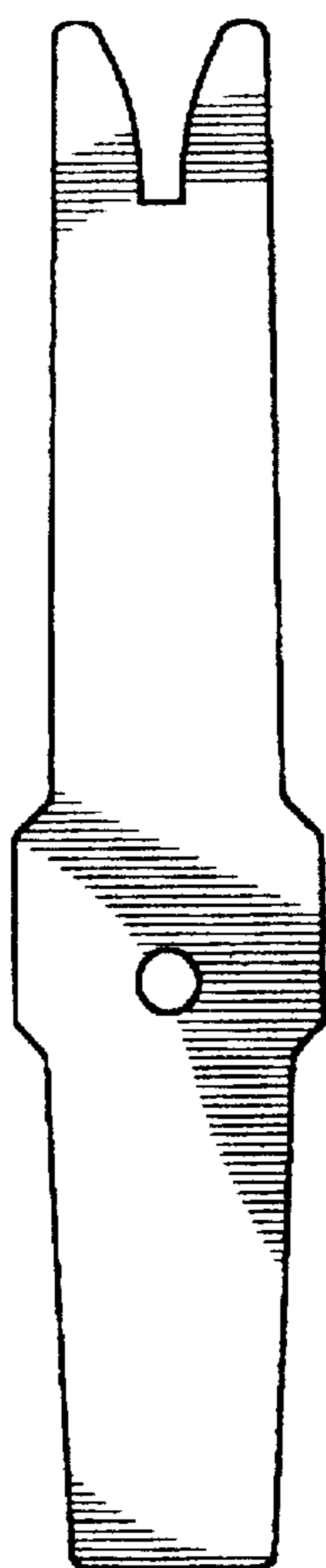
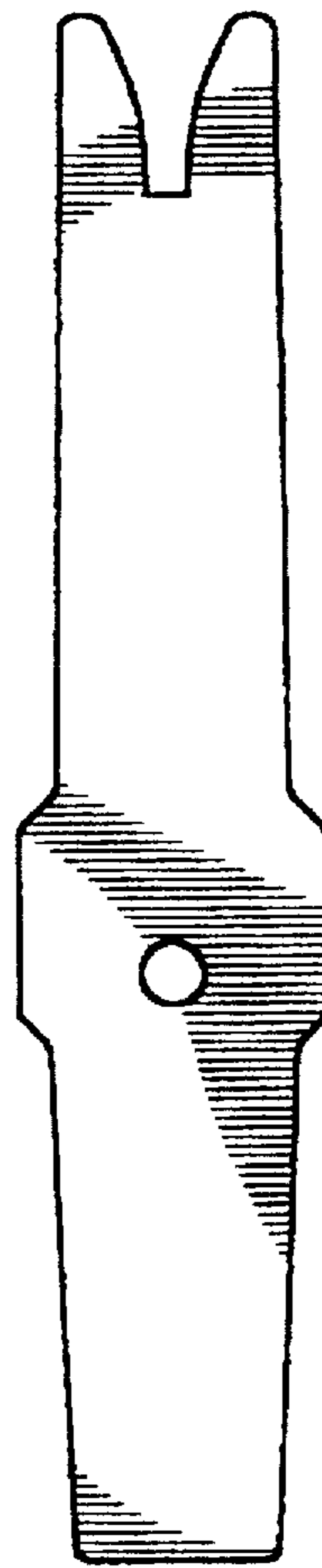


Fig. 3



Fig. 4



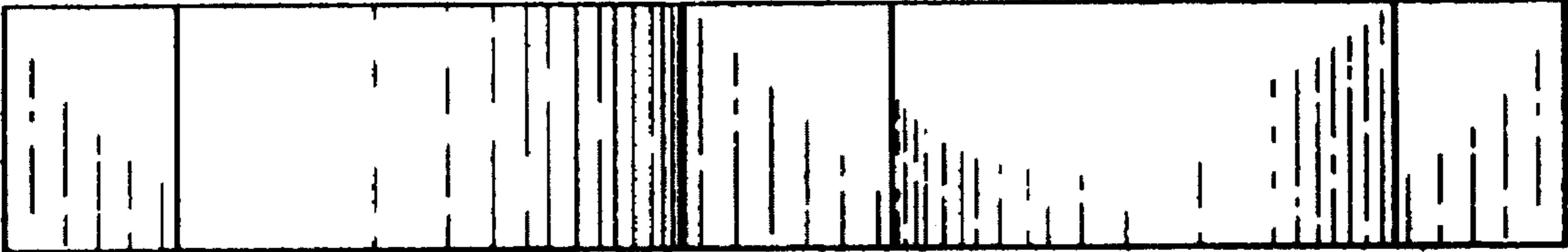


Fig. 5

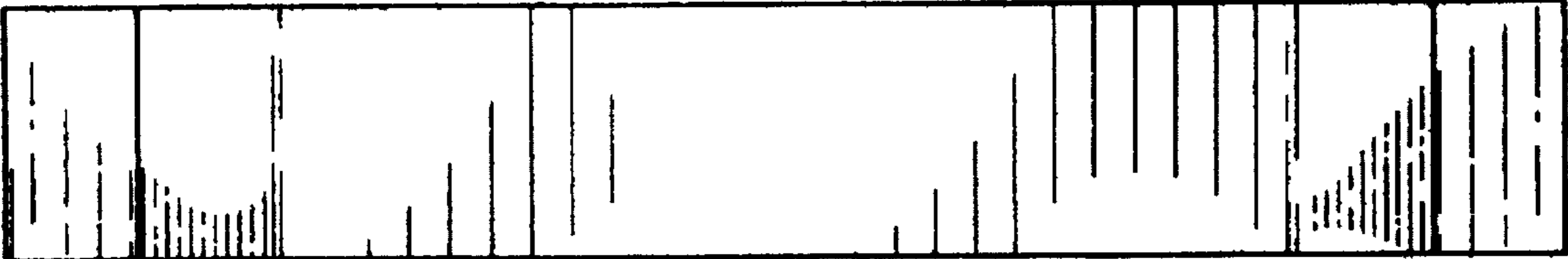


Fig. 6