



US00D391023S

United States Patent [19]
Baldesberger

[11] **Patent Number: Des. 391,023**
[45] **Date of Patent: **Feb. 17, 1998**

[54] **TWEEZERS**

[75] **Inventor: Fides P. Baldesberger, Lugano, Switzerland**

[73] **Assignee: Outils Rubis S.A., Stabio, Switzerland**

[**] **Term: 14 Years**

[21] **Appl. No.: 54,950**

[22] **Filed: May 24, 1996**

[51] **LOC (6) Cl. 28-03**

[52] **U.S. Cl. D28/55**

[58] **Field of Search D28/55; D24/143; D7/686, 687; 294/3, 99.1, 99.2; 606/205-211; D8/51, 56**

[56] **References Cited**

U.S. PATENT DOCUMENTS

D. 315,350	3/1991	Ikeda	D14/223
D. 340,932	11/1993	Yan	D14/249
D. 353,379	12/1994	Nakamura et al.	D14/223
D. 357,921	5/1995	Ming-Chin	D14/223
4,981,194	1/1991	Kamon et al.	181/129

FOREIGN PATENT DOCUMENTS

23299	1/1987	Japan	181/137
-------	--------	-------	-------	---------

Primary Examiner—Catherine Tuttle
Attorney, Agent, or Firm—Wigman, Cohen, Leitner & Myers, P.C.

[57] **CLAIM**

The ornamental design for tweezers, as shown and described.

DESCRIPTION

FIG. 1 is a plan top view of a first embodiment of the subject perforated tweezers with a perforated top leg and an unperforated bottom leg;

FIG. 2 is a plan bottom view of the tweezers of FIG. 1;

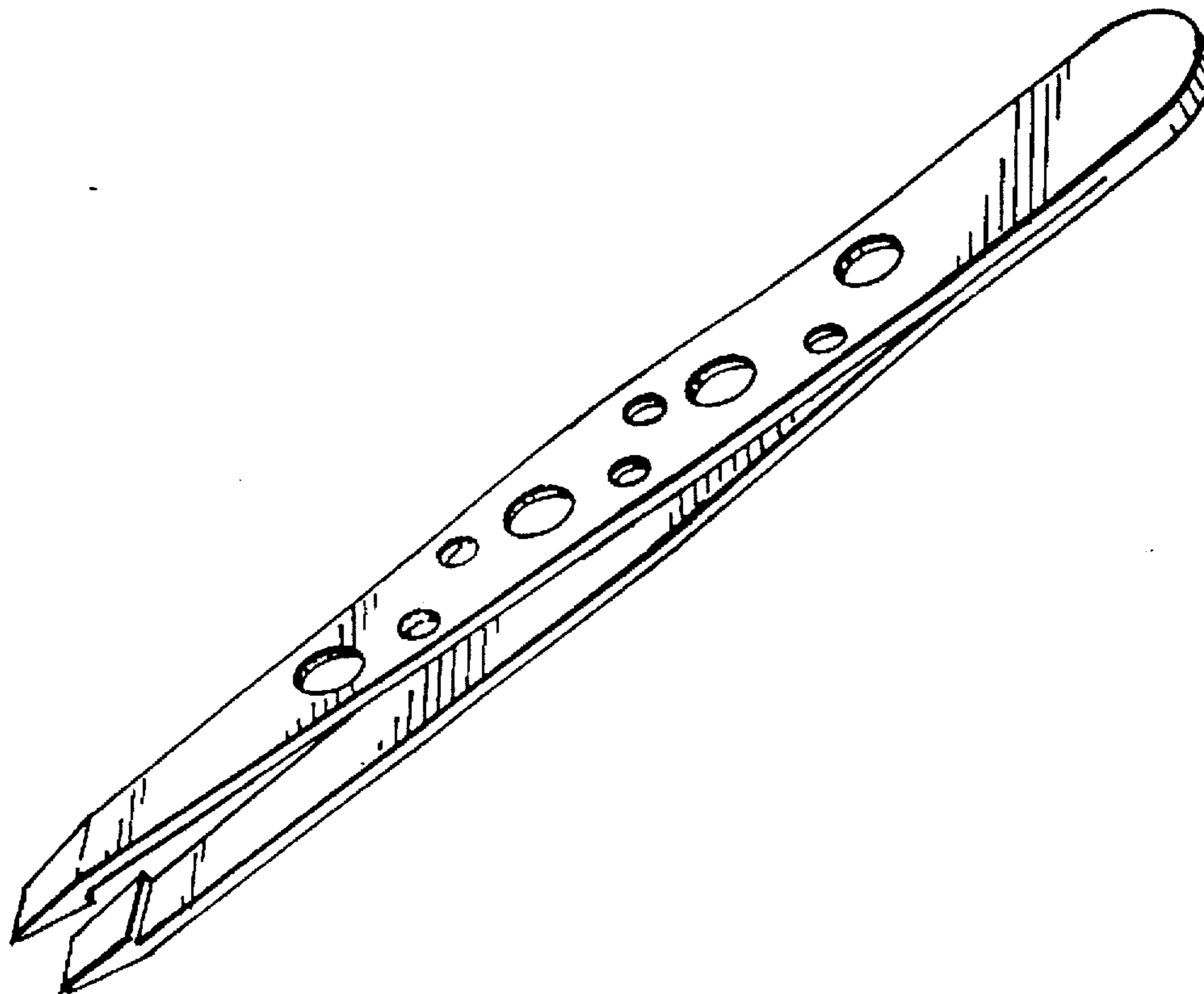
FIG. 3 is a side view of the tweezers of FIG. 1;

FIG. 4 is a perspective view of the tweezers of FIG. 1, the undisclosed left side and inner surface following the contours of the sides shown;

FIG. 5 is a plan top view of a second embodiment of the subject perforated tweezers with both legs having perforations; and,

FIG. 6 is a plan bottom view of the tweezers of FIG. 5 the undisclosed sides of this embodiment being identical to the first disclosed embodiment except for the appearance of the perforations on the bottom leg.

1 Claim, 2 Drawing Sheets



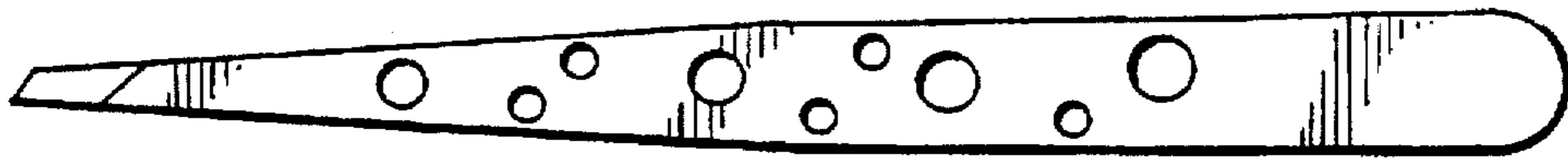


Fig. 1

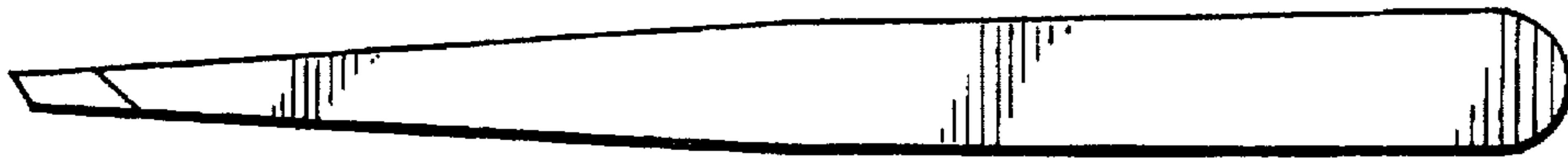


Fig. 2

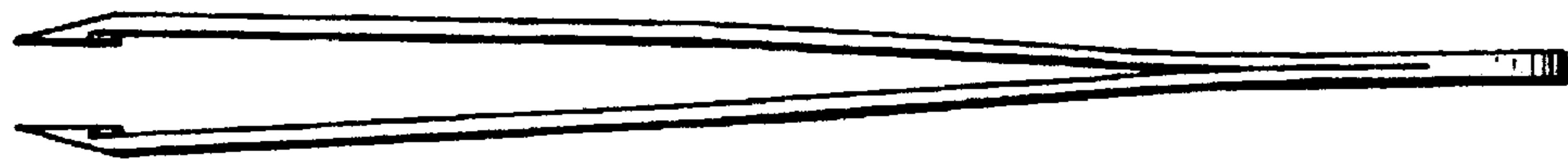


Fig. 3

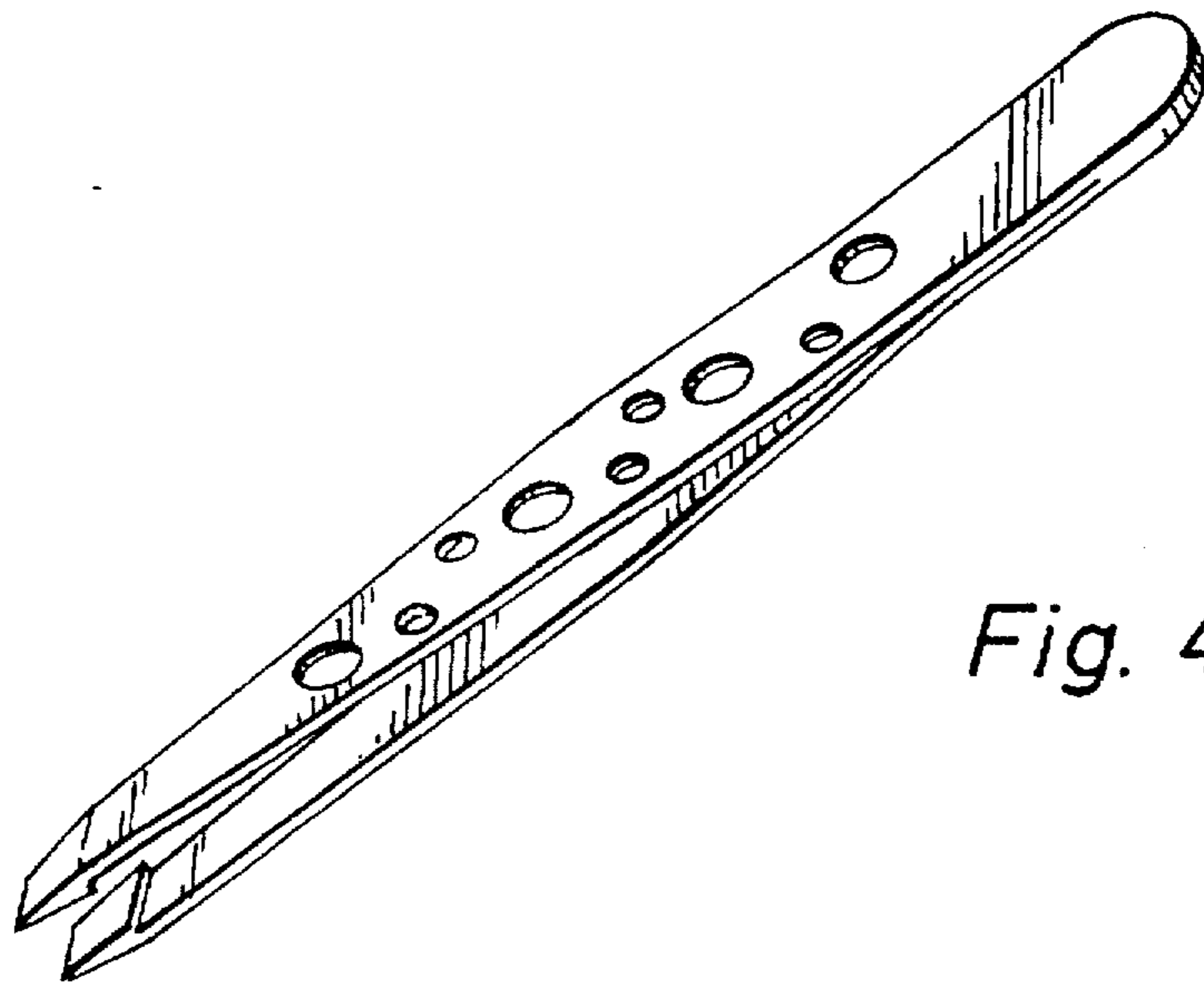


Fig. 4



Fig. 5



Fig. 6

UNITED STATES PATENT AND TRADEMARK OFFICE
CERTIFICATE OF CORRECTION

PATENT NO. : Des. 391,023
DATED : Feb. 17, 1998
INVENTOR(S) : Fides P. BALDESBERGER

It is certified that error appears in the above-identified patent and that said Letters Patent is hereby corrected as shown below:

In item [56] References Cited, delete all of the references listed and replace with the following list:

--U.S. PATENT DOCUMENTS

D. 138,784 9/1944 Shonta D28/55
D. 272,664 2/1984 Jones D28/55
832,541 10/1906 Dodge 294/3 xr
1,510,254 9/1924 Boyle 294/99.2
2,292,889 8/1942 McKee 294/99.2xr
4,244,094 1/1981 Rucinski 294/99.2

FOREIGN PATENT DOCUMENTS

257,571 10/1989 Japan 294/99.2

NON-PATENT DOCUMENTS

GLAMOUR 9/1994, p. 200: tweezers in upper right corner of page.--

Signed and Sealed this
Seventh Day of July, 1998



Attest:

BRUCE LEHMAN

Attesting Officer

Commissioner of Patents and Trademarks