



US00D391019S

United States Patent [19] Seifert

[11] Patent Number: Des. 391,019

[45] Date of Patent: **Feb. 17, 1998

- [54] COMBINED CURLING BRUSH WITH COVER
- [75] Inventor: Cornelia Seifert, Bad Soden, Germany
- [73] Assignee: Braun Aktiengesellschaft, Kronberg, Germany
- [**] Term: 14 Years
- [21] Appl. No.: 45,550
- [22] Filed: Oct. 23, 1995
- [51] LOC (6) Cl. 28-03
- [52] U.S. Cl. D28/35; D4/116; D4/136
- [58] Field of Search D28/13-18, 35; 132/117, 118, 119.1, 120, 143, 148, 150, 226-229, 269, 271, 272; 219/222, 225; 392/380, 383, 384; 34/96, 97, 98; D4/100, 116, 134, 136, 138

[56] **References Cited**

U.S. PATENT DOCUMENTS

D. 261,317	10/1981	Oberheim et al.	D28/35
D. 261,318	10/1981	Oberheim et al.	D28/35
D. 261,319	10/1981	Oberheim et al.	D28/35
D. 269,298	6/1983	Oberheim et al.	D28/35
D. 269,299	6/1983	Oberheim	D28/35
D. 270,381	8/1983	Muller et al.	D28/13
D. 294,526	3/1988	Oberheim	D28/35
D. 299,764	2/1989	Oberheim	D28/35
D. 299,976	2/1989	Elkerbout	D28/13
D. 313,871	1/1991	Oberheim	D28/35
D. 313,873	1/1991	Cafaro	D28/35
4,354,092	10/1982	Manabe et al.	219/225
4,803,341	2/1989	Barowski et al.	219/222
4,851,641	7/1989	Barowski et al.	219/225
4,906,181	3/1990	Ebner et al.	431/344
4,917,078	4/1990	Zaborowski	219/225 X
5,503,170	4/1996	Roberts	132/227

FOREIGN PATENT DOCUMENTS

DM/029 244	6/1994	WIPO	28/3
------------	--------	-----------	------

OTHER PUBLICATIONS

Braun Products: 1990/91 Catalog p. 19.
 Braun Products: 1993/94 Catalog pp. 14 & 15.
 Five (5) photographs of combined cover and brush of Conair "Cordless Shaping Brush" (Model CA 0295) (Undated).

Primary Examiner—Ted Shooman
Assistant Examiner—C. Tuttle
Attorney, Agent, or Firm—Edward S. Podszus

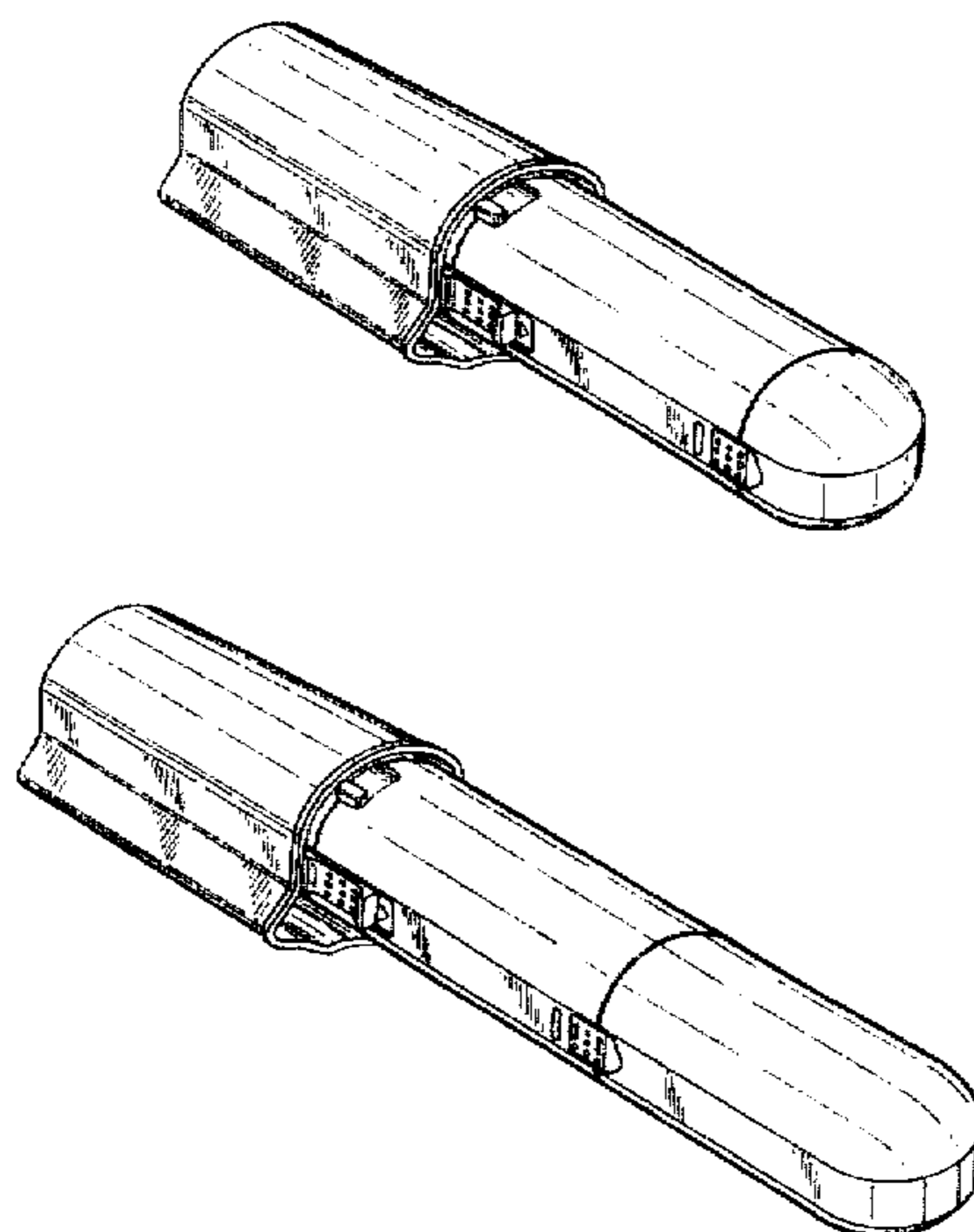
[57] **CLAIM**

The ornamental design for a combined curling brush with cover, as shown and described.

DESCRIPTION

FIG. 1 is a perspective view of a first embodiment of a combined curling brush with cover showing my new design as seen from the top, rear and right side;
 FIG. 2 is a right side elevational view thereof;
 FIG. 3 is a left side elevational view thereof;
 FIG. 4 is a top plan view thereof;
 FIG. 5 is a bottom plan view thereof;
 FIG. 6 is a front elevational view of the first embodiment shown in FIG. 1 as well as a front elevational view of the second embodiment shown in FIG. 8;
 FIG. 7 is a rear elevational view of the first embodiment shown in FIG. 1 as well as a rear elevational view of the second embodiment shown in FIG. 8;
 FIG. 8 is a perspective view of a second embodiment of a combined curling brush with cover showing my new design as seen from the top, rear and right side;
 FIG. 9 is a right side elevational view thereof;
 FIG. 10 is a left side elevational view thereof;
 FIG. 11 is a top plan view thereof; and,
 FIG. 12 is a bottom plan view thereof.
 The broken line showing of the bristles in FIG. 7 is for illustrative purposes only and forms no part of the claimed design.

1 Claim, 7 Drawing Sheets



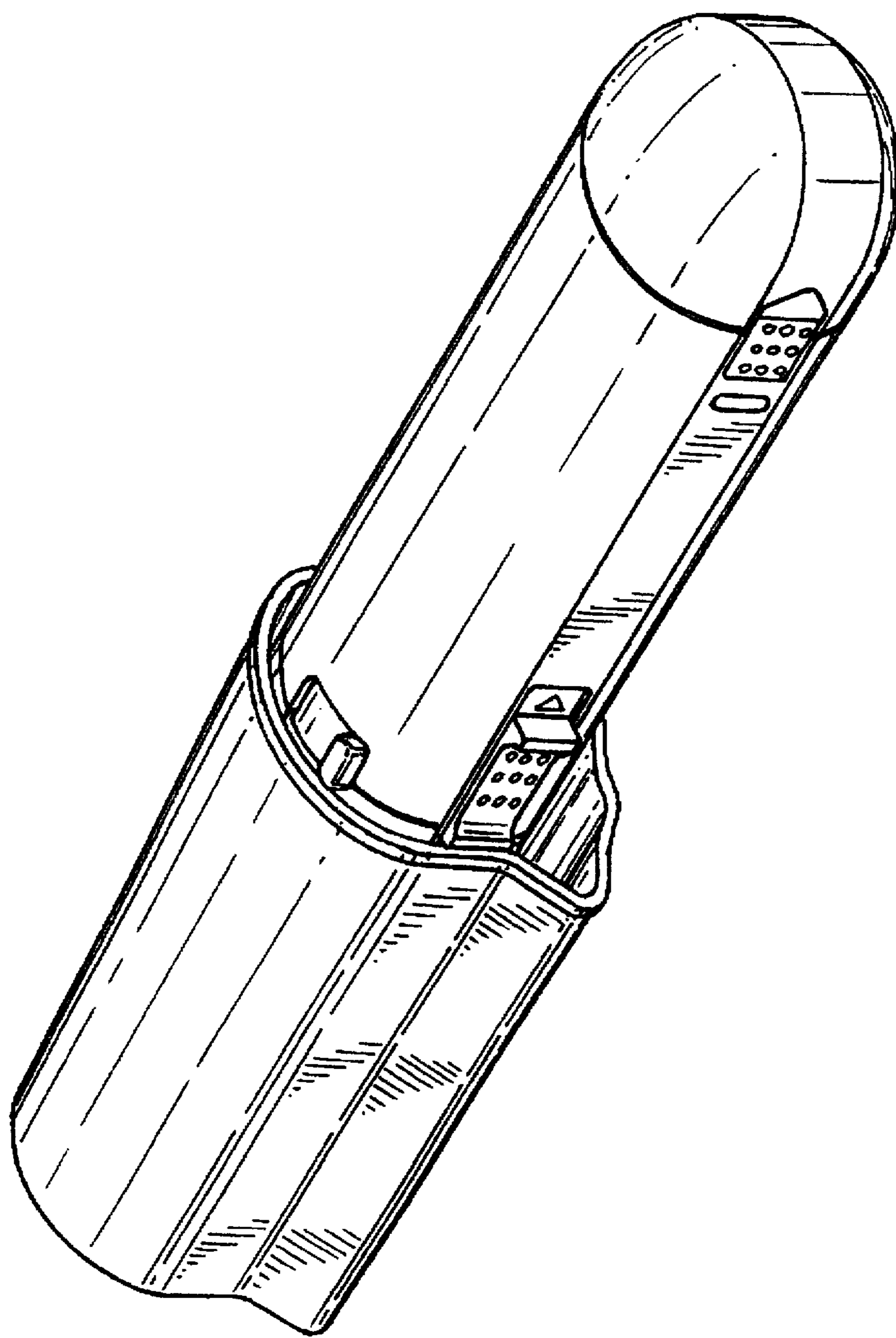


FIG. 1

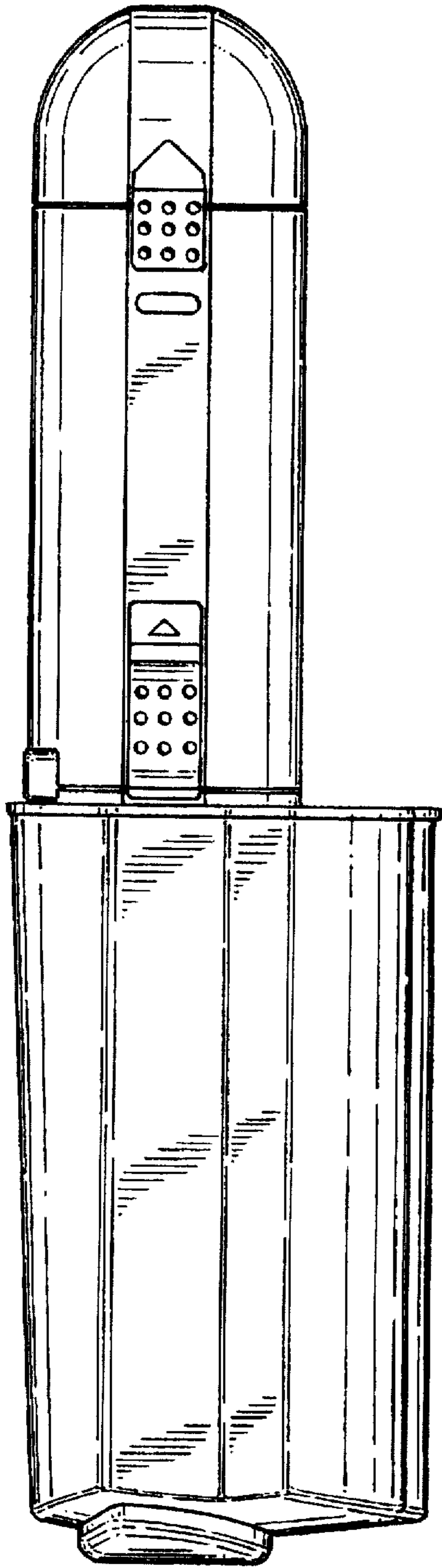


FIG. 2

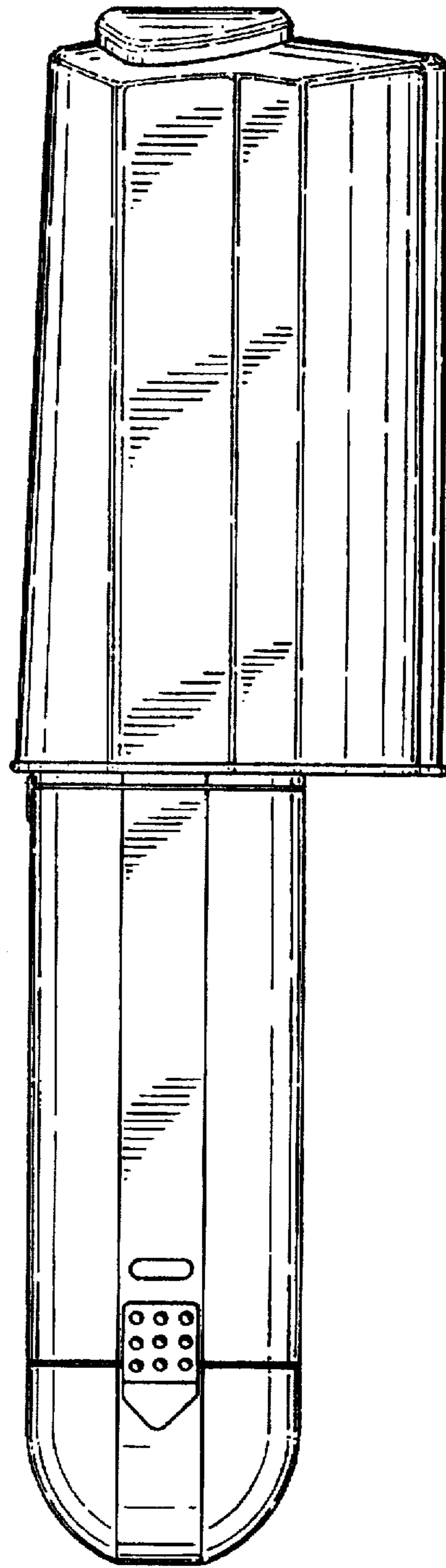


FIG. 3

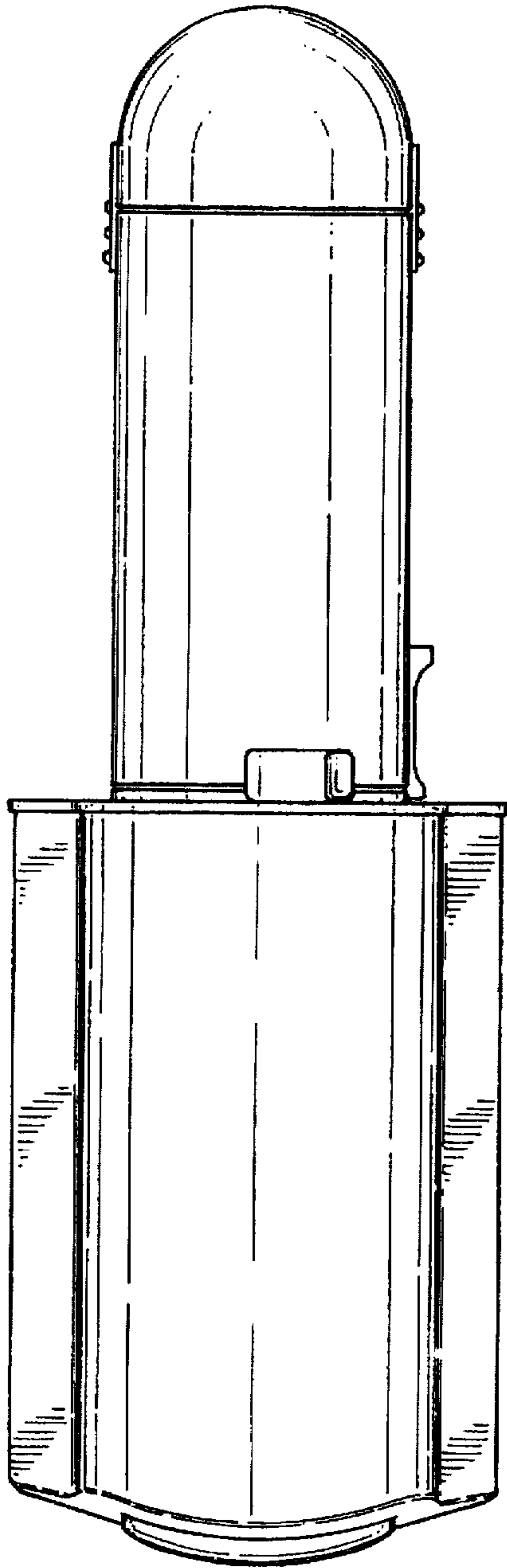


FIG. 4

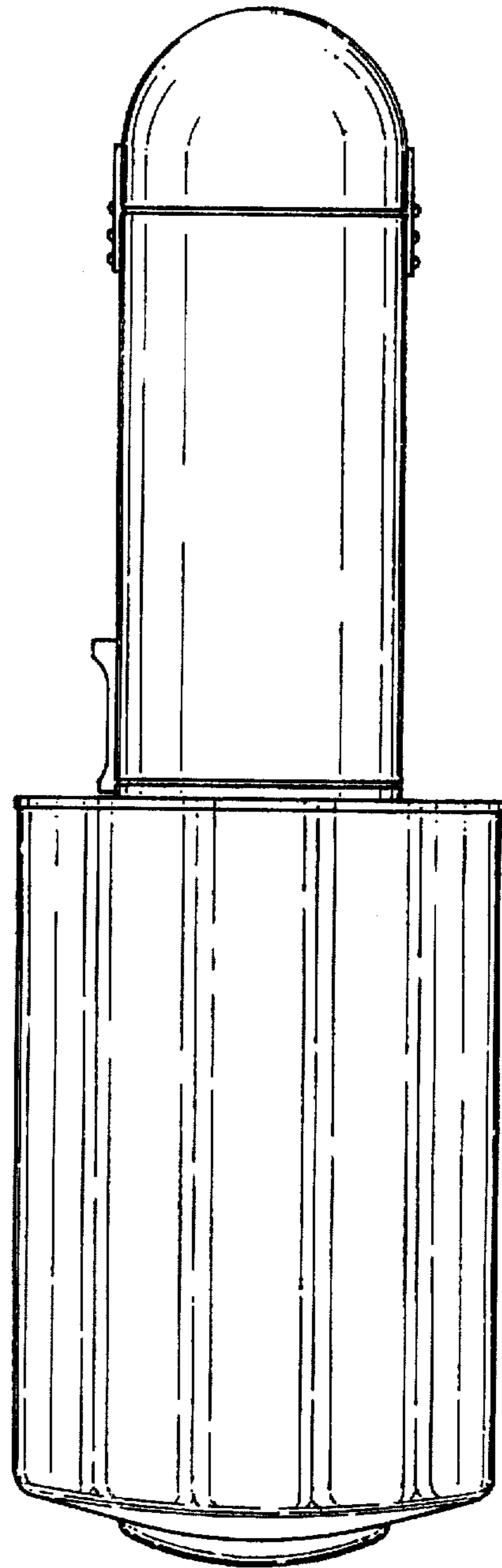


FIG. 5

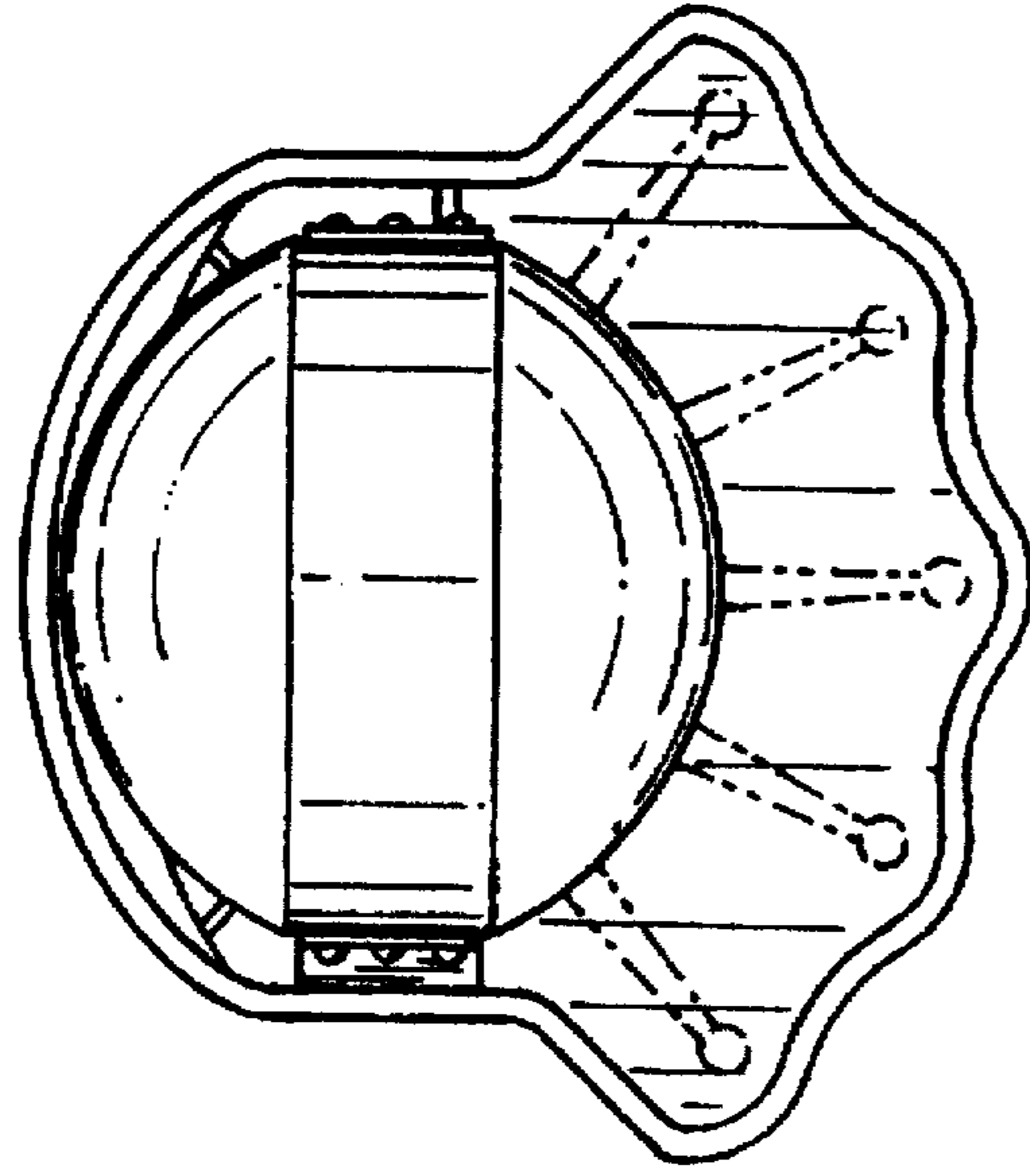


FIG. 7

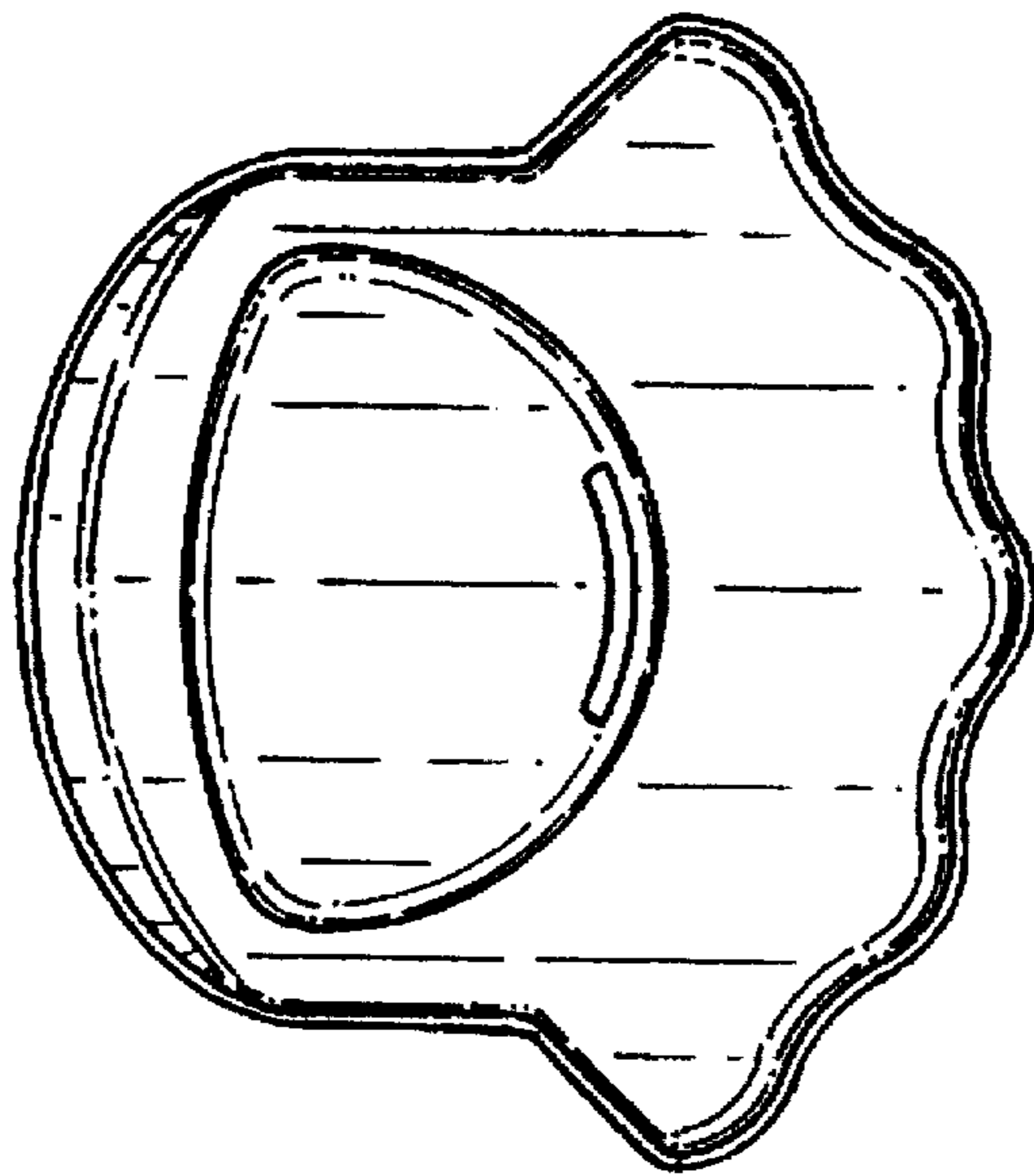


FIG. 6

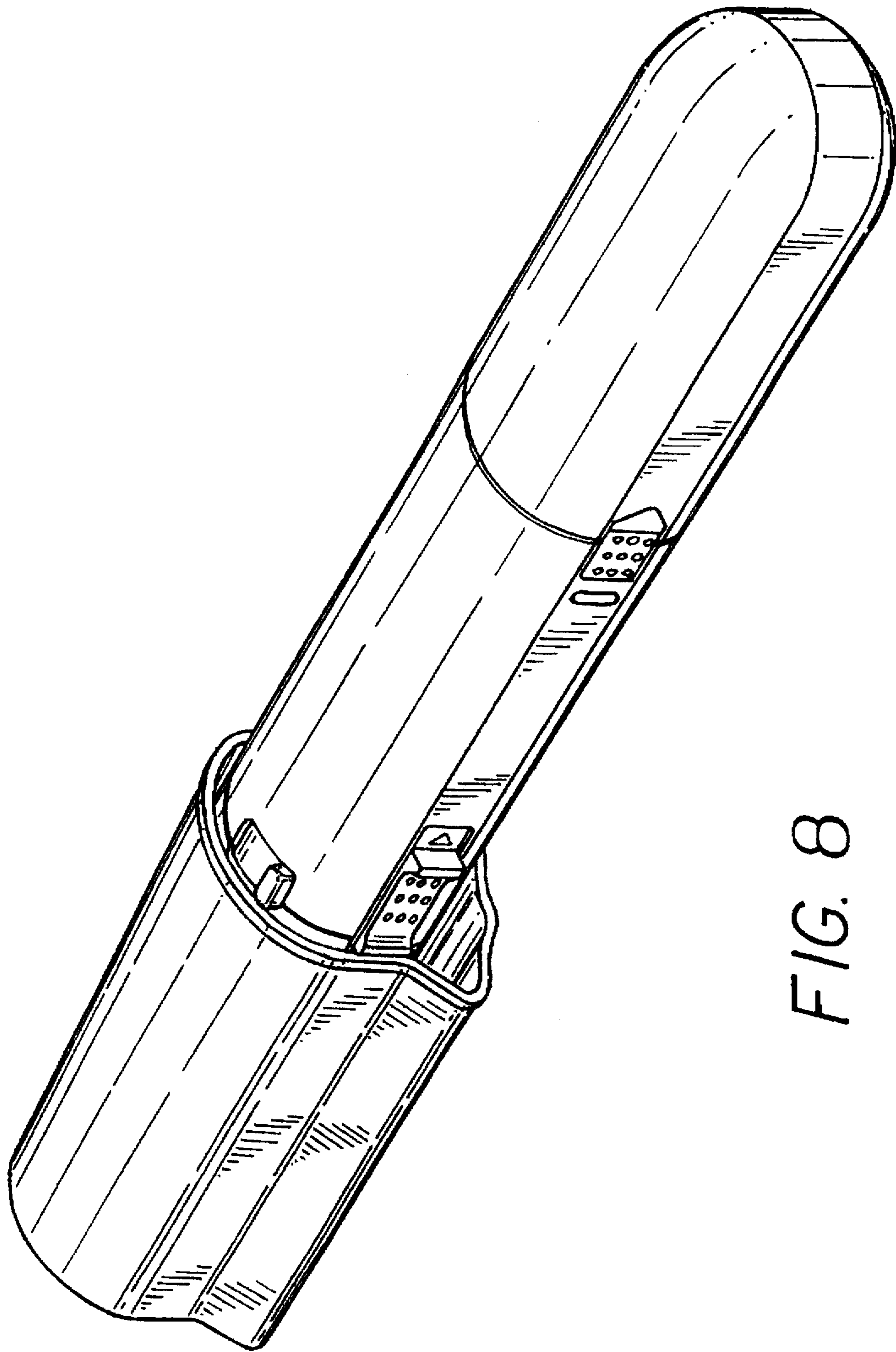


FIG. 8

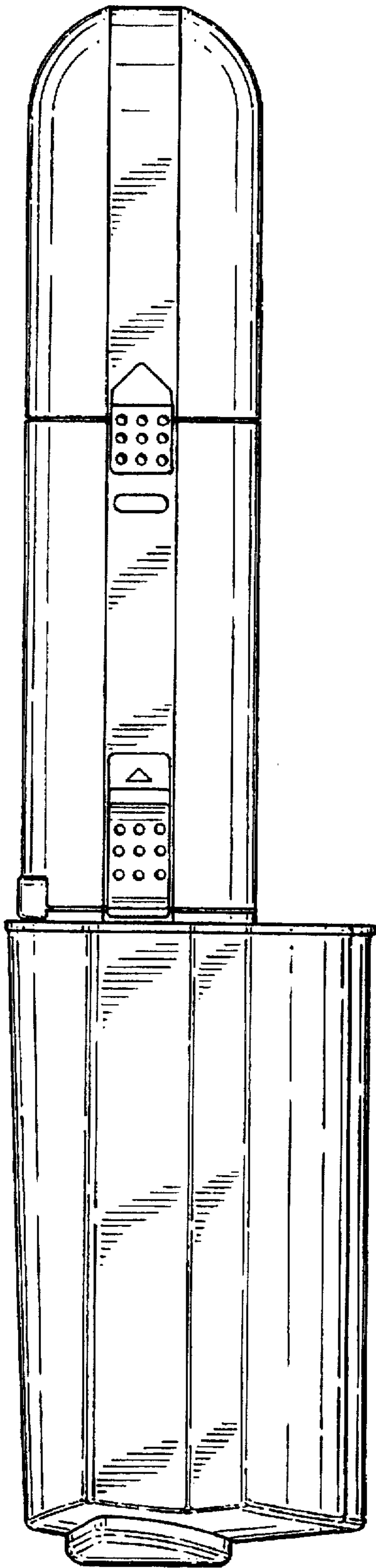


FIG. 9

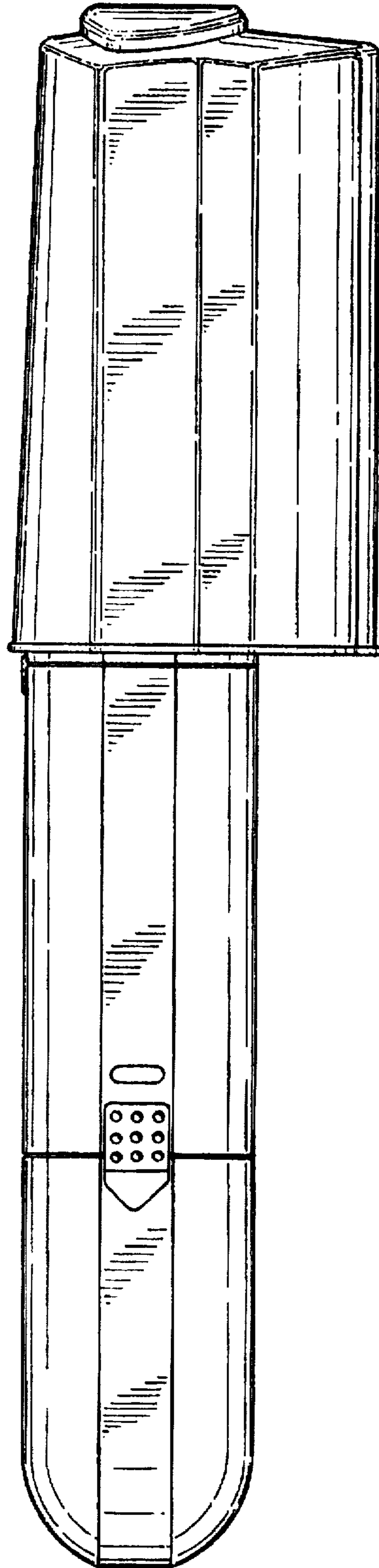


FIG. 10

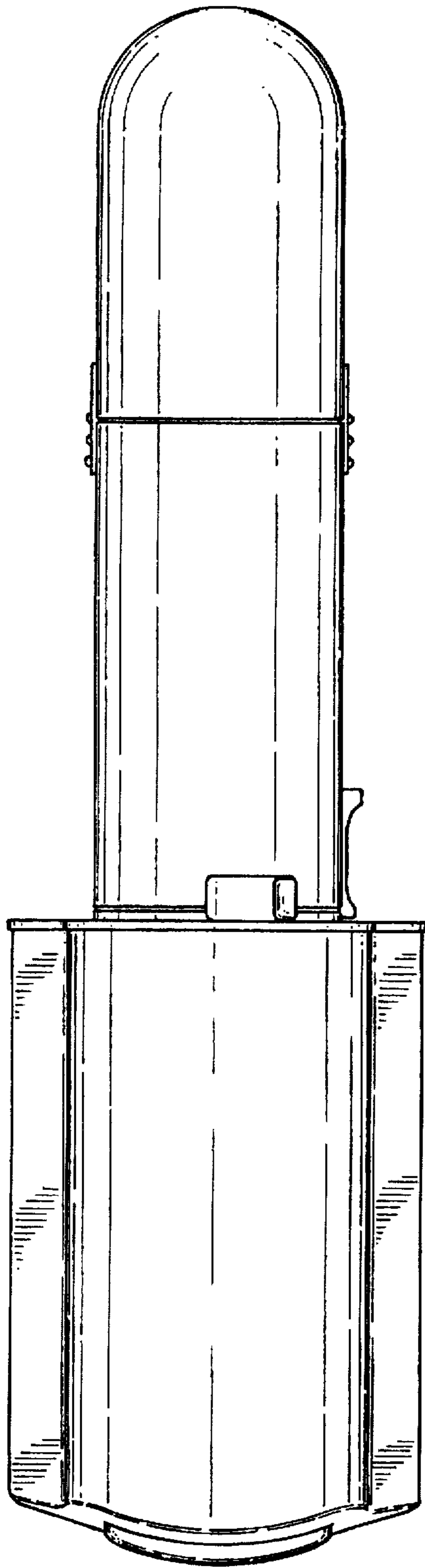


FIG. 11

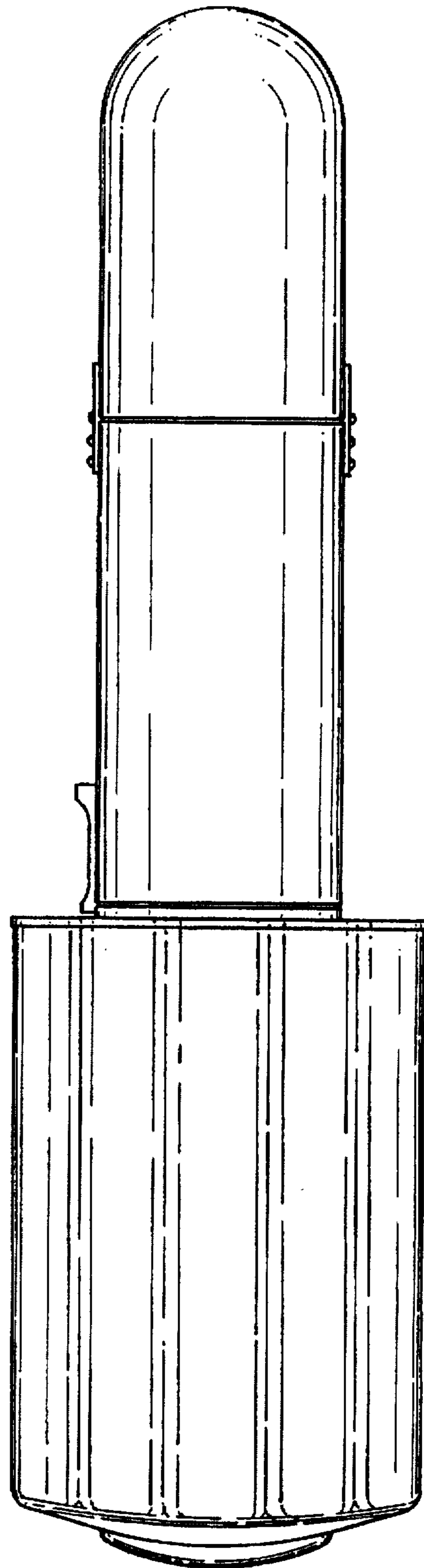


FIG. 12