



US00D391018S

# United States Patent [19] Zito

[11] Patent Number: **Des. 391,018**  
[45] Date of Patent: **\*\*Feb. 17, 1998**

[54] **FINE-TOOTH COMB**

[75] Inventor: **Alejandro Marcelo Zito**, Buenos Aires, Argentina

[73] Assignee: **Chemotecnica Sintyal S.A.**, Captial Federal, Argentina

[\*\*] Term: **14 Years**

[21] Appl. No.: **57,098**

[22] Filed: **Jul. 16, 1996**

[30] **Foreign Application Priority Data**

Jan. 16, 1996 [AR] Argentina ..... 63092

[51] LOC (6) Cl. .... **28-03**

[52] U.S. Cl. .... **D28/30**

[58] Field of Search ..... D28/21, 25, 30, D28/31; D30/159; 132/219, 125, 149, 150, 152, 153, 154; 119/625, 626, 630, 631, 632, 633

[56] **References Cited**

**U.S. PATENT DOCUMENTS**

- D. 142,930 11/1945 Adler ..... D28/31
- D. 199,718 12/1964 Adler ..... D28/31
- D. 318,141 7/1991 Owen et al. .... D28/30
- D. 334,996 4/1993 Ward ..... D28/30
- D. 351,928 10/1994 Wadr ..... D28/30
- D. 353,915 12/1994 Lanne ..... D28/31 X
- D. 365,662 12/1995 Leman ..... D28/30 X
- 4,671,303 6/1987 Saferstein et al. .... 132/152

**FOREIGN PATENT DOCUMENTS**

8203974 11/1982 WIPO ..... 132/219

**OTHER PUBLICATIONS**

Hong Kong Enterprise Jun., 1992, p. 416—comb No. DCB1343 in top row, Jun. 1992.

*Primary Examiner*—Ted Shooman

*Assistant Examiner*—C. Tuttle

*Attorney, Agent, or Firm*—Birch, Stewart, Kolasch & Birch, LLP

[57] **CLAIM**

The ornamental design for a fine-tooth comb, as shown and described.

**DESCRIPTION**

FIG. 1 is a top, front and right side perspective view of a fine-tooth comb showing my new design;

FIG. 2 is an exploded right side elevational view, the left-side being a mirror image thereof;

FIG. 3 is a bottom plan view of the head and handle of the comb with the teeth removed for clarity of disclosure;

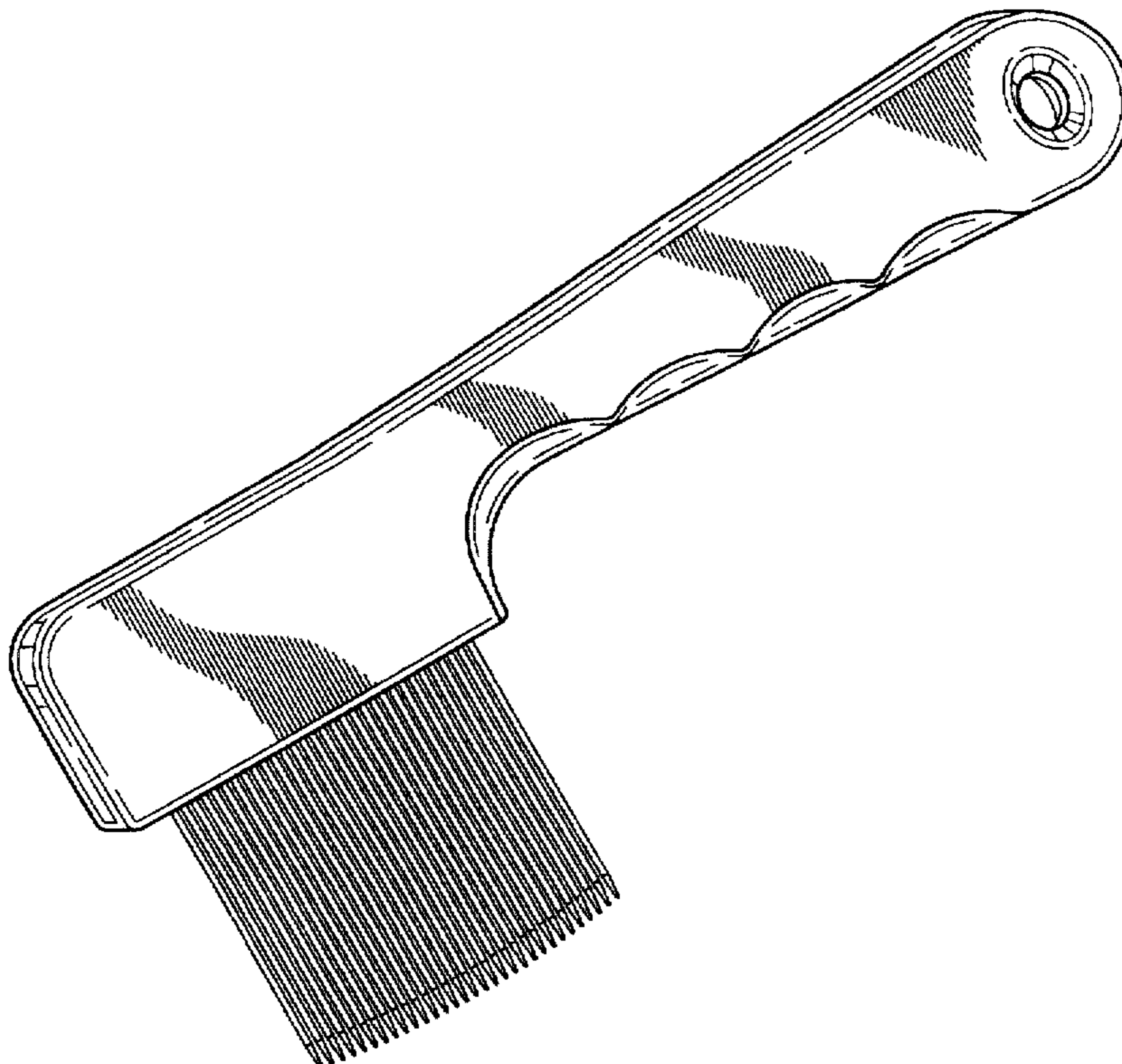
FIG. 4 is a bottom plan view of the teeth shown separately for clarity of disclosure;

FIG. 5 is a front elevational view of the assembled design;

FIG. 6 is a rear elevational view of the assembled design; and,

FIG. 7 is a top plan view of the comb of the present invention.

**1 Claim, 2 Drawing Sheets**



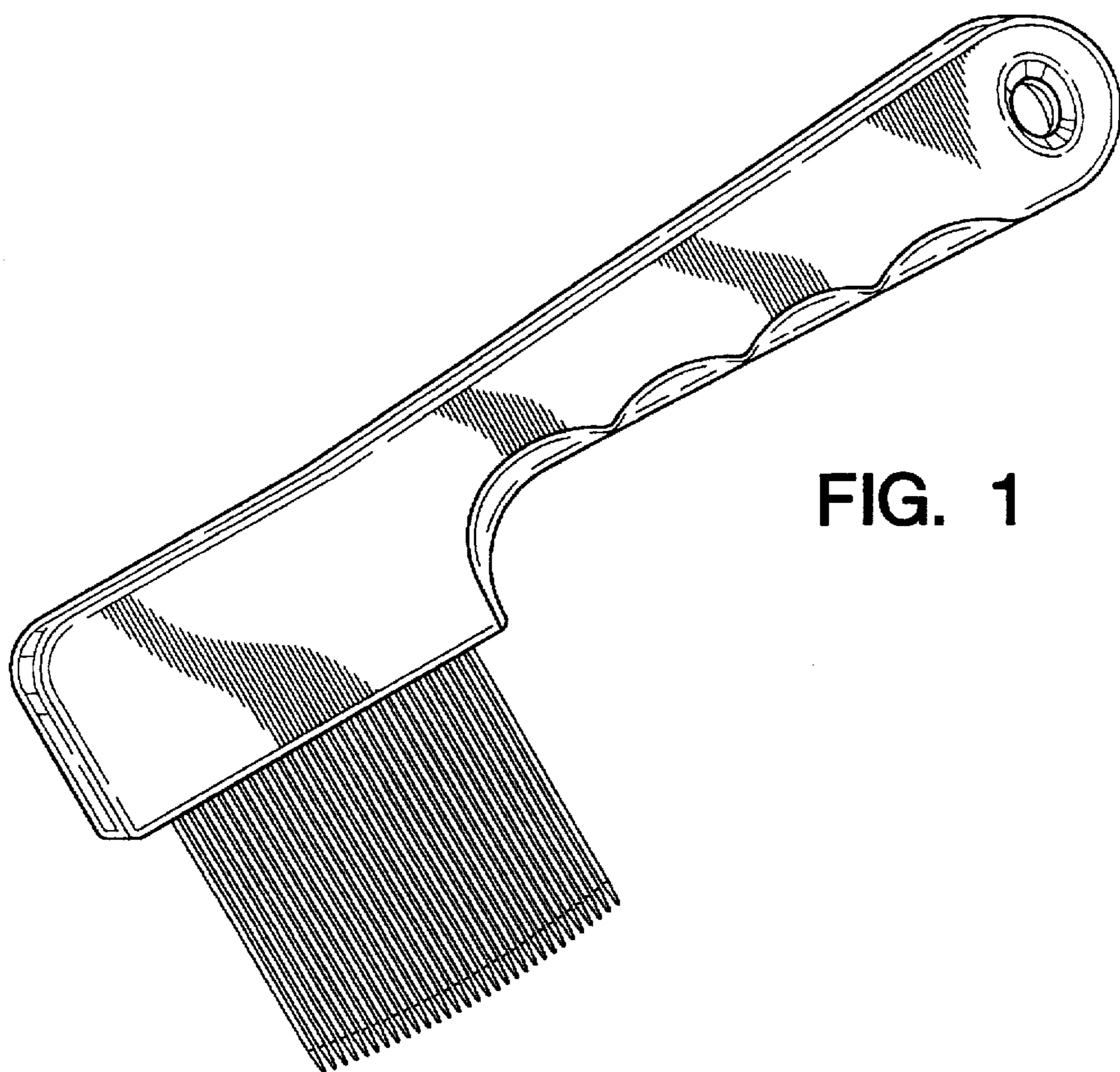


FIG. 1

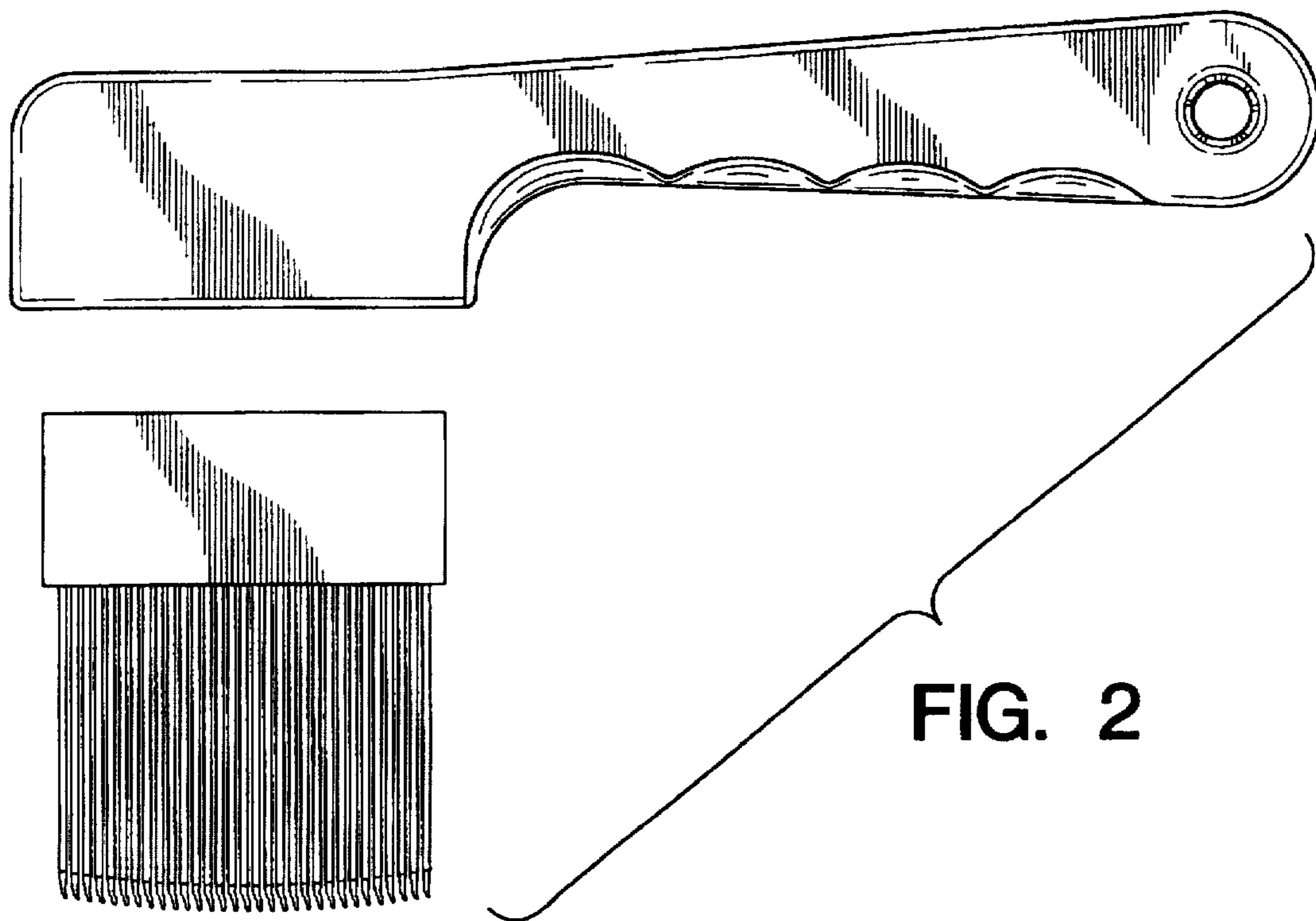


FIG. 2

FIG. 3



FIG. 4



FIG. 5



FIG. 6

FIG. 7

