



US00D391017S

United States Patent [19]
Gudefin

[11] **Patent Number: Des. 391,017**
[45] **Date of Patent: **Feb. 17, 1998**

[54] **HAIR DRYER**

[75] **Inventor: Jacques Gudefin, Saint Priest, France**

[73] **Assignee: Calor S.A., Lyons, France**

[**] **Term: 14 Years**

[21] **Appl. No.: 68,509**

[22] **Filed: Mar. 25, 1997**

[30] **Foreign Application Priority Data**

Sep. 27, 1996 [FR] France 965436

[51] **LOC (6) CL. 28-03**

[52] **U.S. Cl. D28/13**

[58] **Field of Search D28/13-18; 34/96-98;
392/384, 385**

[56] **References Cited**

U.S. PATENT DOCUMENTS

D. 277,613	2/1985	Rittenhouse	D28/13
D. 277,789	2/1985	Pajak	D28/31
D. 278,085	3/1985	Rittenhouse et al.	D28/13
D. 345,625	3/1994	Feil	D28/13
D. 375,577	11/1996	Viemeister et al.	D28/13
5,013,891	5/1991	Shoemaker	34/97 X

FOREIGN PATENT DOCUMENTS

8908414 9/1989 WIPO 392/385

OTHER PUBLICATIONS

Home Furnishings Daily, Jul. 12, 1971; Sec. 1, p. 42—hair dryer.

Modern Salon May 1987, p. 169—Riva 1250 hair dryer.

Best 1991/92 Cat., p. 254—hair dryers on upper left indicated by arrows.

Hong Kong Enterprise Jun. 1995, p. 338—hair dryers on right indicated by arrows.

Primary Examiner—Ted Shooman

Assistant Examiner—C. Tuttle

Attorney, Agent, or Firm—Greenblum & Bernstein, P.L.C.

[57] **CLAIM**

The ornamental design for a hair dryer, as shown and described.

DESCRIPTION

FIG. 1 is a front elevation view of a hair dryer, showing my new design;

FIG. 2 is a rear elevation view thereof;

FIG. 3 is a top plan view thereof;

FIG. 4 is a bottom plan view thereof;

FIG. 5 is a right side elevation view thereof;

FIG. 6 is a left side elevation view thereof; and,

FIG. 7 is a front perspective view thereof.

1 Claim, 4 Drawing Sheets

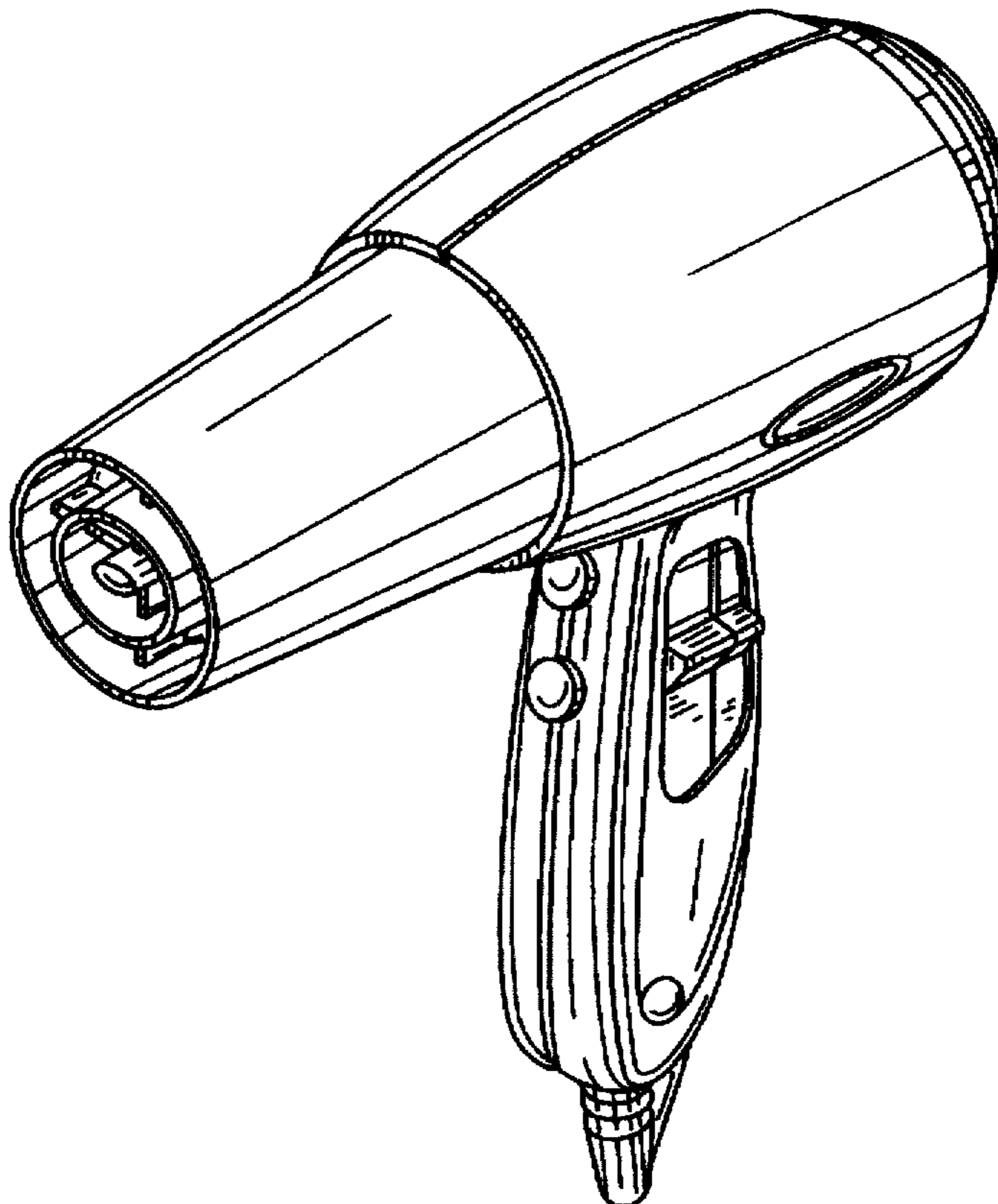


FIG. 1

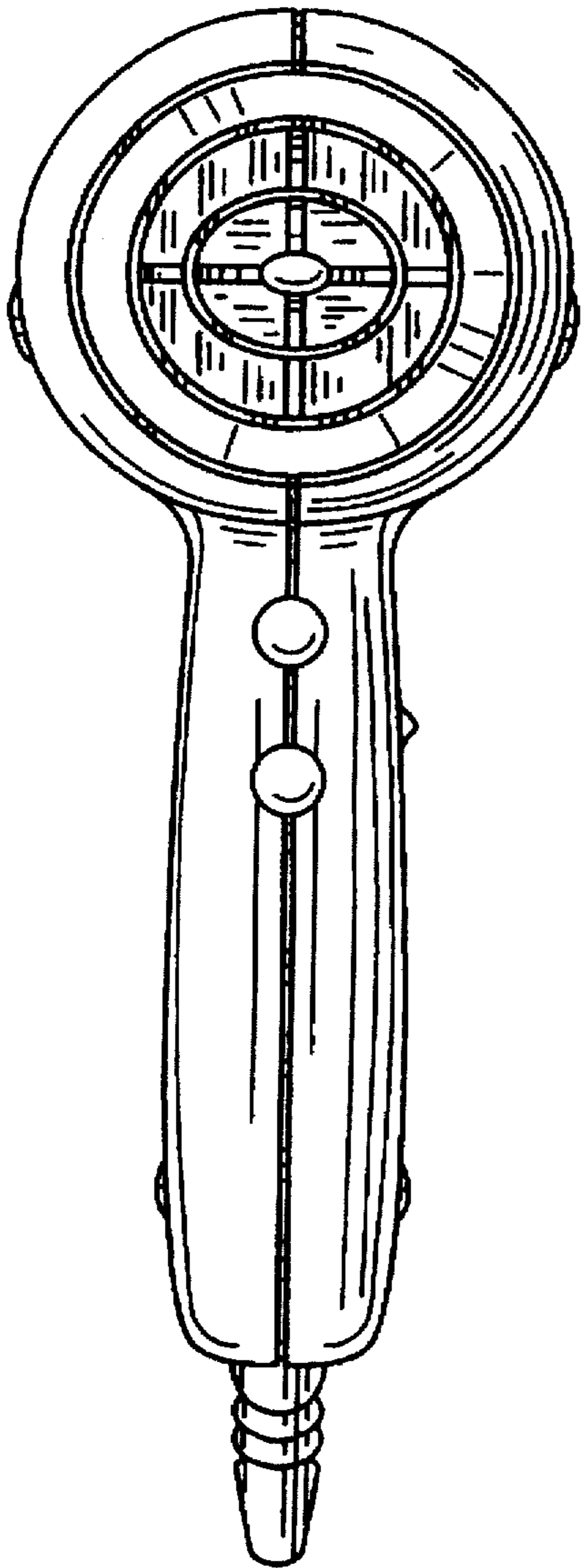


FIG. 2

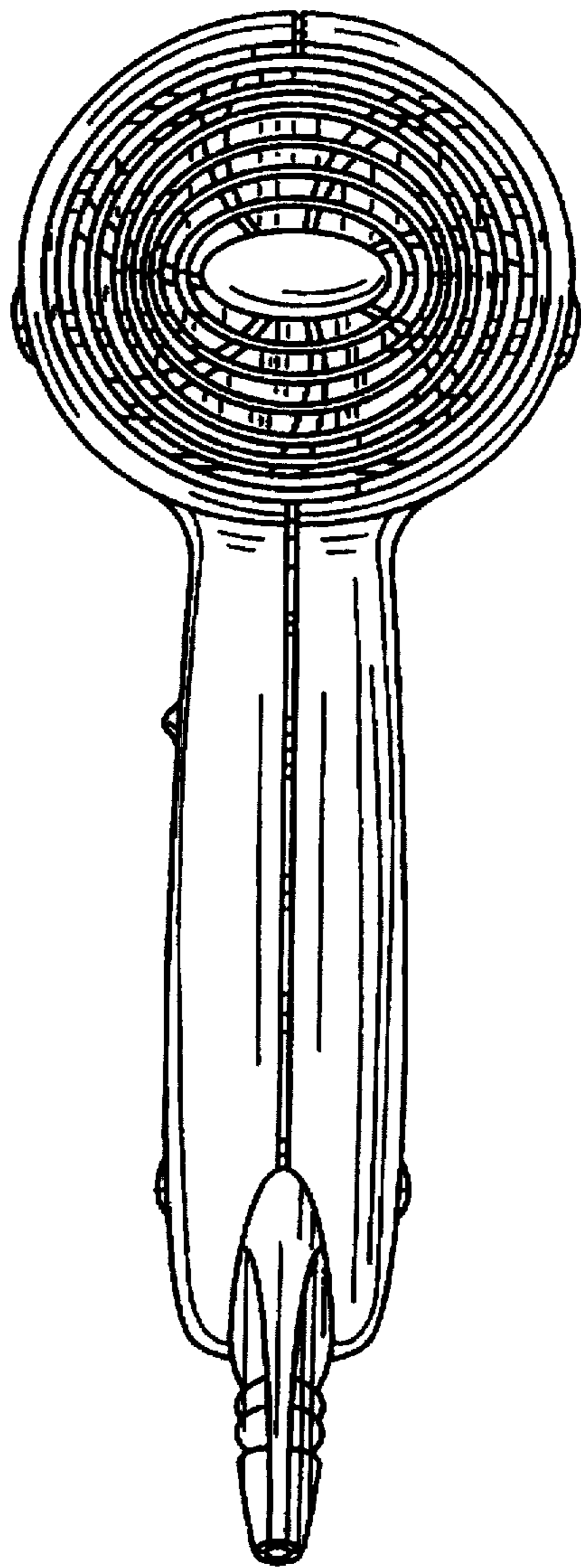


FIG. 3

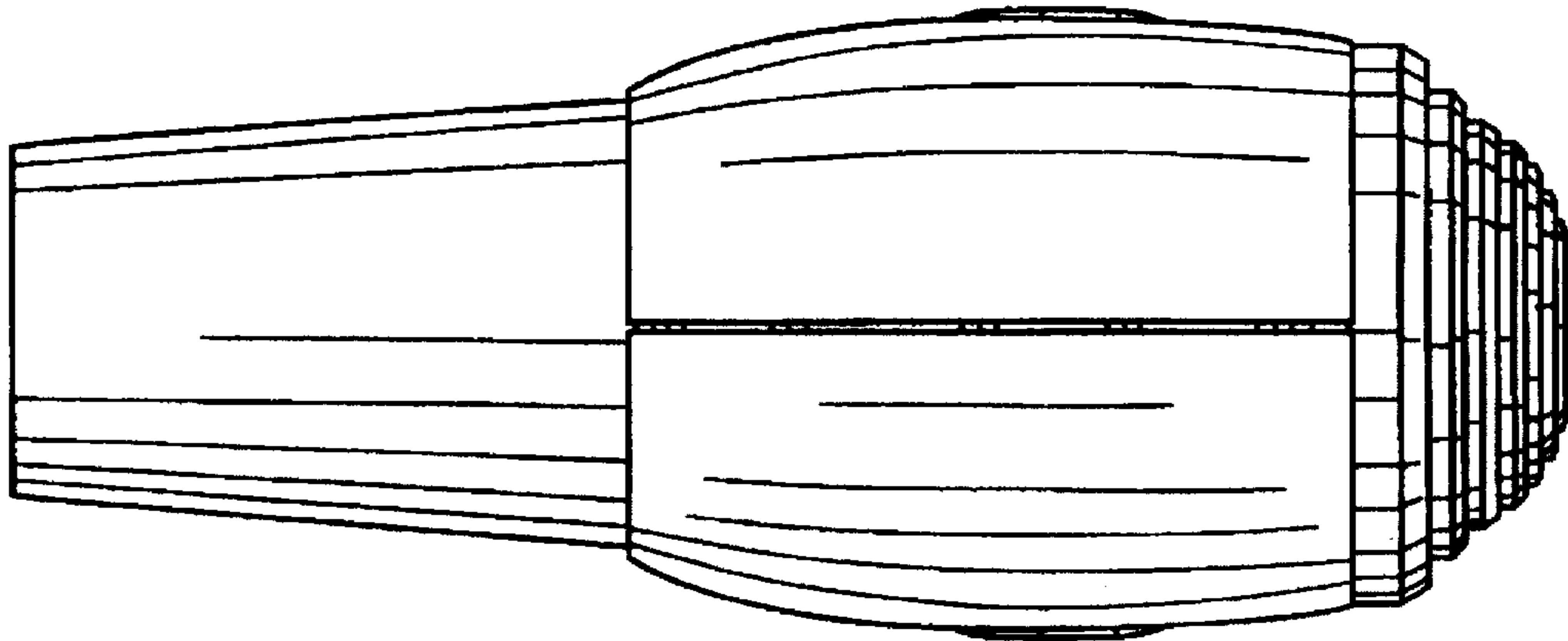


FIG. 4

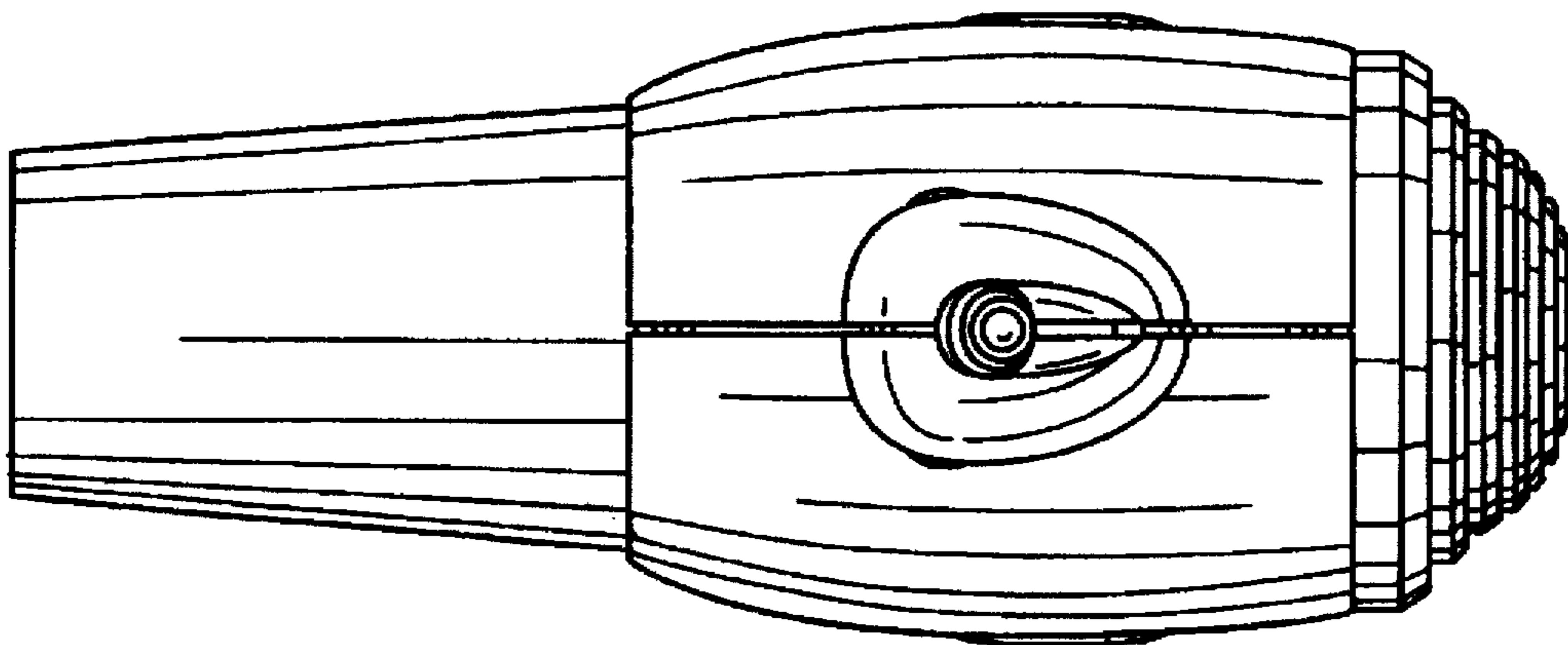


FIG. 5

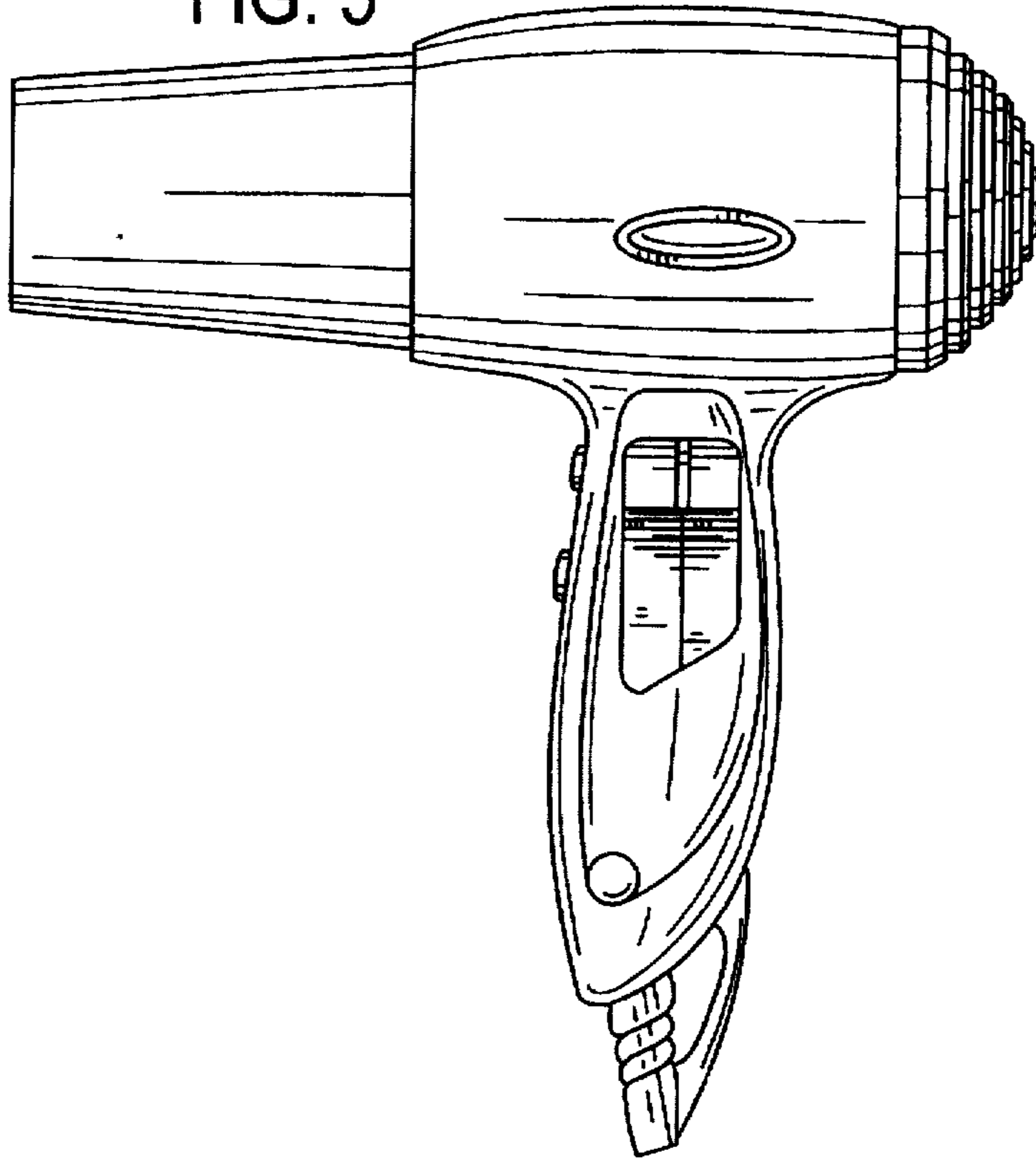


FIG. 6

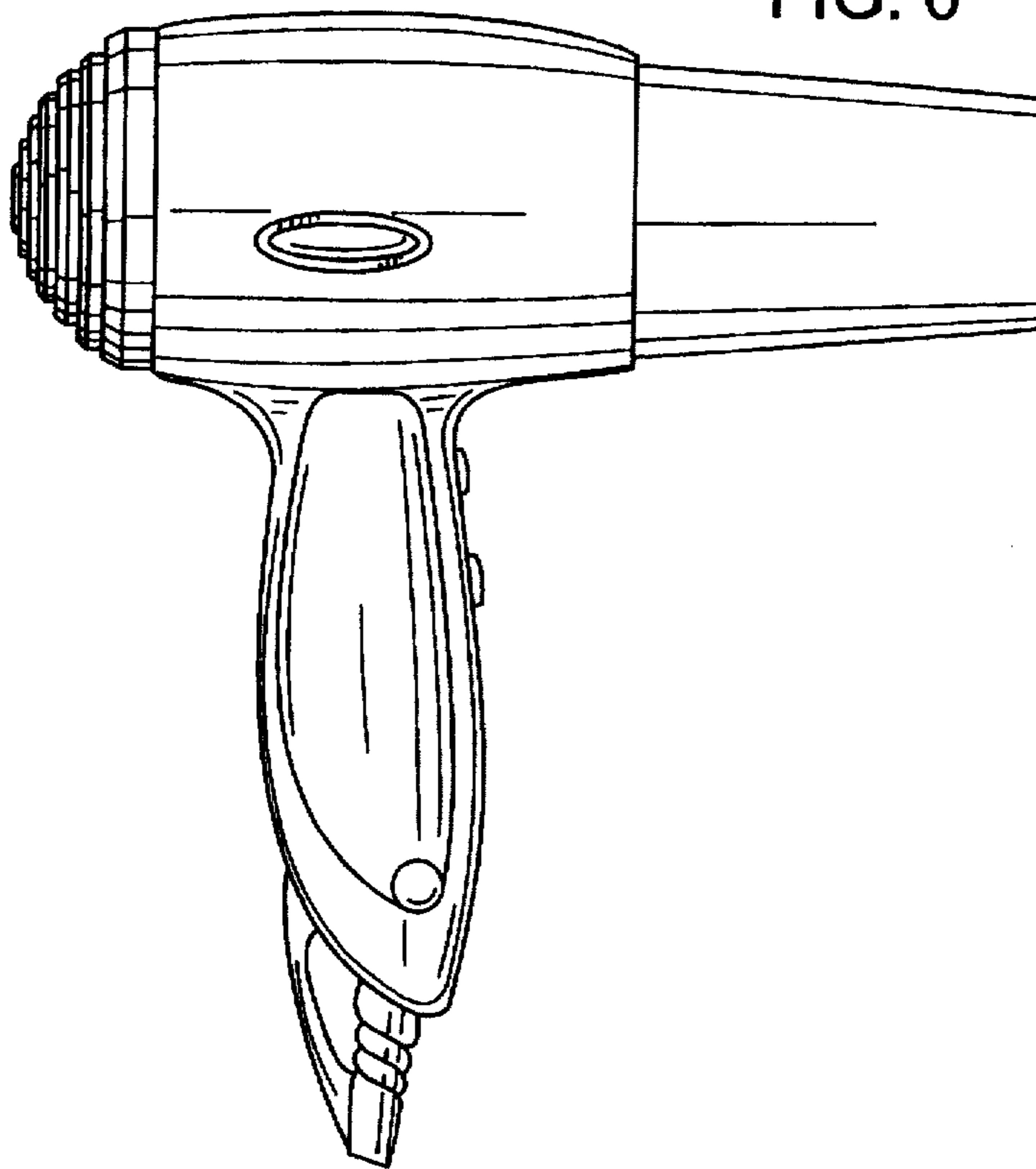


FIG. 7

